



US00D551608S

(12) **United States Design Patent**
Humphrey et al.

(10) **Patent No.: US D551,608 S**

(45) **Date of Patent: ** Sep. 25, 2007**

(54) **CUSTOM AUTO/MOTORCYCLE WHEEL
FACE**

(76) Inventors: **Mack Humphrey**, 22456 E. Dorado
Ave., Aurora, CO (US) 80015; **Edward
Dwayne Garrett**, 14423 Dickens St.,
Apt., 14, Sherman Oaks, CA (US)
91423

(**) Term: **14 Years**

(21) Appl. No.: **29/248,604**

(22) Filed: **Aug. 23, 2006**

(51) **LOC (8) Cl. 12-16**

(52) **U.S. Cl. D12/204**

(58) **Field of Classification Search** D12/204-213;
301/37.101, 64.101, 65
See application file for complete search history.

(56) **References Cited**

U.S. PATENT DOCUMENTS

D249,678 S * 9/1978 Rotheiser D12/204
D384,021 S * 9/1997 Hoxie D12/204

D444,116 S * 6/2001 Liao D12/209
D449,265 S * 10/2001 Hull D12/204
D468,677 S * 1/2003 Eldred, II D12/204
D474,438 S * 5/2003 Gamble et al. D12/209
D476,940 S * 7/2003 Cochran D12/209
D481,341 S * 10/2003 Morrison D12/209
D495,647 S * 9/2004 Cochran D12/209
D498,448 S * 11/2004 Boyd, Jr. D12/209
D500,975 S * 1/2005 Turner D12/204

* cited by examiner

Primary Examiner—Stacia Cadmus

(57) **CLAIM**

The ornamental design for custom auto/motorcycle wheel face, as shown and described.

DESCRIPTION

FIG. 1 is a perspective view of a custom auto/motorcycle wheel face of the present invention; and, FIG. 2 is a front elevational view of the invention. The broken line showing of environment is for illustrative purposes only and forms no part of the claimed design.

1 Claim, 2 Drawing Sheets

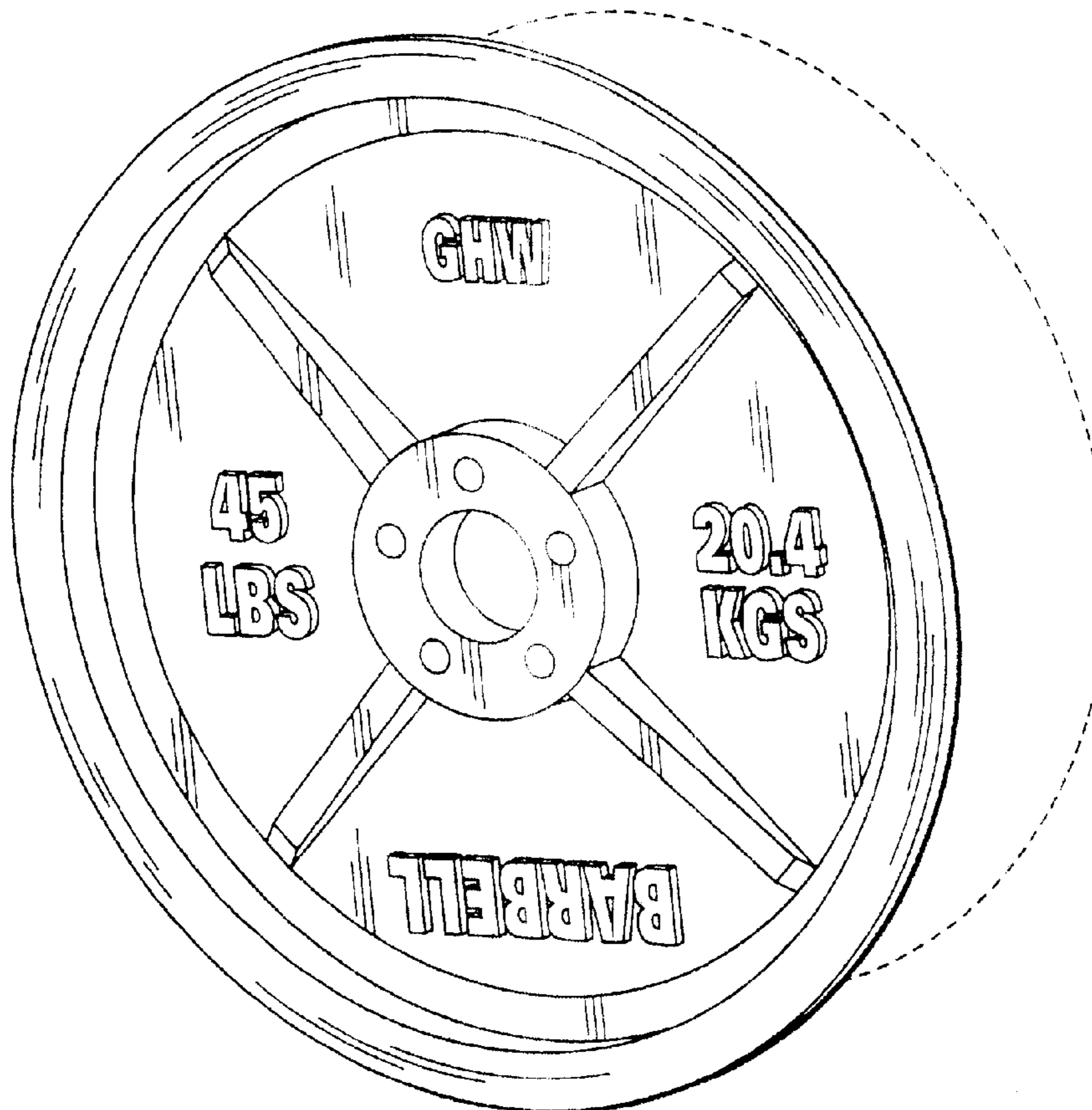


Fig. 1

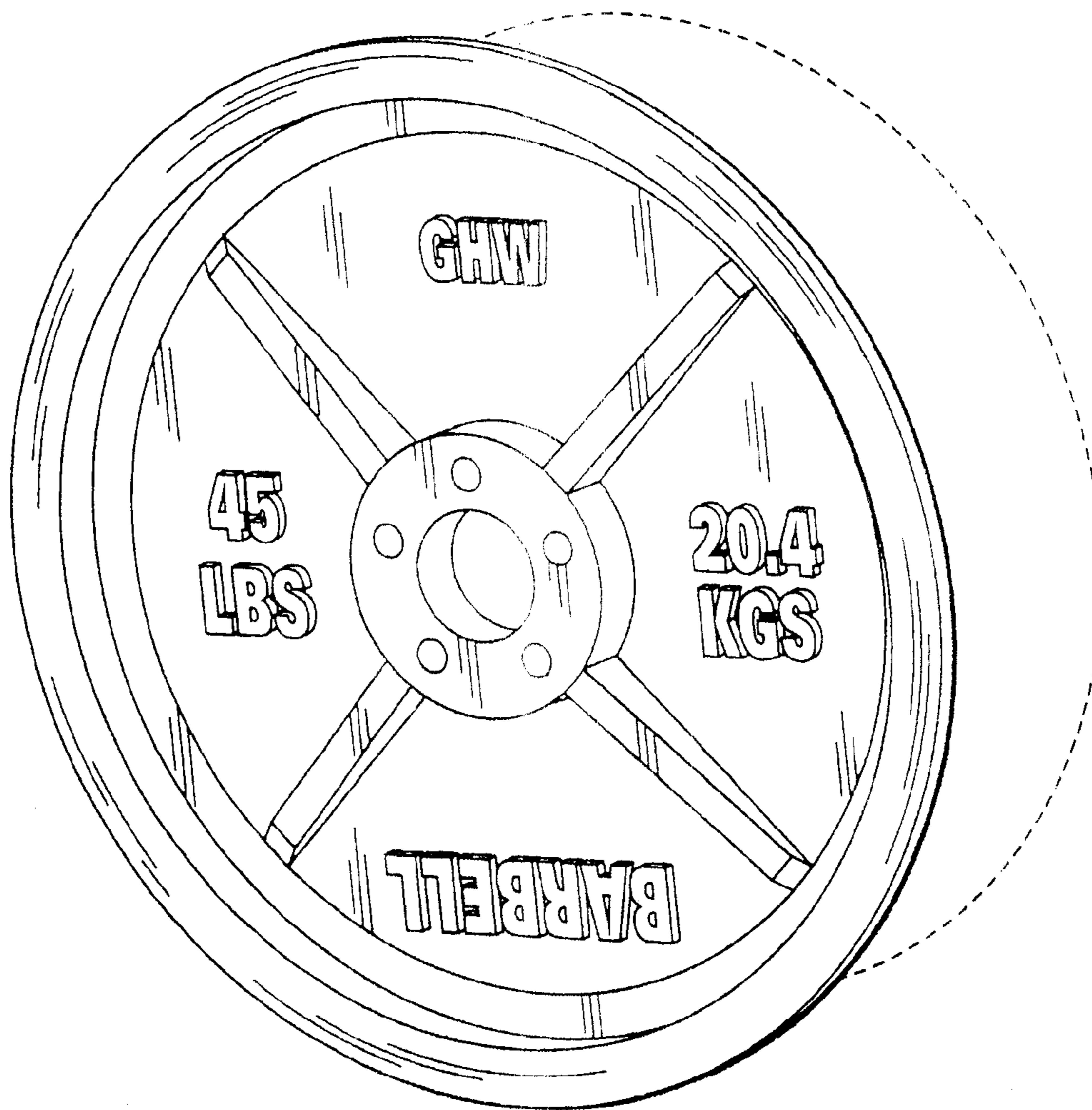


Fig. 2

