



US00D551606S

(12) **United States Design Patent**
Pfeiffer

(10) **Patent No.:** **US D551,606 S**

(45) **Date of Patent:** **** Sep. 25, 2007**

(54) **SIDE MIRROR FOR A VEHICLE**

(75) Inventor: **Peter Pfeiffer**, Boeblingen (DE)

(73) Assignee: **DaimlerChrysler AG**, Stuttgart (DE)

(**) Term: **14 Years**

(21) Appl. No.: **29/251,166**

(22) Filed: **Jan. 5, 2006**

(30) **Foreign Application Priority Data**

Jul. 6, 2005 (DE) 40503463

(51) **LOC (8) Cl.** **12-16**

(52) **U.S. Cl.** **D12/187**

(58) **Field of Classification Search** D12/187-189;
359/838-851, 855-868, 871-881; 248/475.1,
248/476, 480-481, 485-487

See application file for complete search history.

(56) **References Cited**

U.S. PATENT DOCUMENTS

| | | | | |
|--------------|---------|-----------------|-------|---------|
| D410,421 S * | 6/1999 | Pfeiffer | | D12/187 |
| D445,386 S * | 7/2001 | Sacco et al. | | D12/187 |
| D463,342 S * | 9/2002 | Sinkwitz | | D12/187 |
| D496,616 S * | 9/2004 | Hoelzel et al. | | D12/187 |
| D500,273 S * | 12/2004 | Otto et al. | | D12/187 |
| D500,274 S * | 12/2004 | Pfeiffer | | D12/187 |
| D506,169 S * | 6/2005 | Pfeiffer et al. | | D12/187 |
| D506,962 S * | 7/2005 | Kulla | | D12/187 |
| D511,127 S * | 11/2005 | Elmitt | | D12/187 |
| D516,480 S * | 3/2006 | Nagashima | | D12/187 |

* cited by examiner

Primary Examiner—Stacia Cadmus

(74) *Attorney, Agent, or Firm*—Crowell & Moring LLP

(57) **CLAIM**

The ornamental design for a side mirror for a vehicle, as shown and described.

DESCRIPTION

FIG. 1 is a perspective view of a first embodiment of a side mirror for a vehicle according to my novel design;

FIG. 2 is a rear view thereof;

FIG. 3 is a front view thereof;

FIG. 4 is a side view thereof;

FIG. 5 is a top view thereof; and

FIG. 6 is a bottom view thereof.

FIG. 7 is a perspective view of a second embodiment of the side mirror for a vehicle according to my novel design;

FIG. 8 is a rear view thereof;

FIG. 9 is a front view thereof;

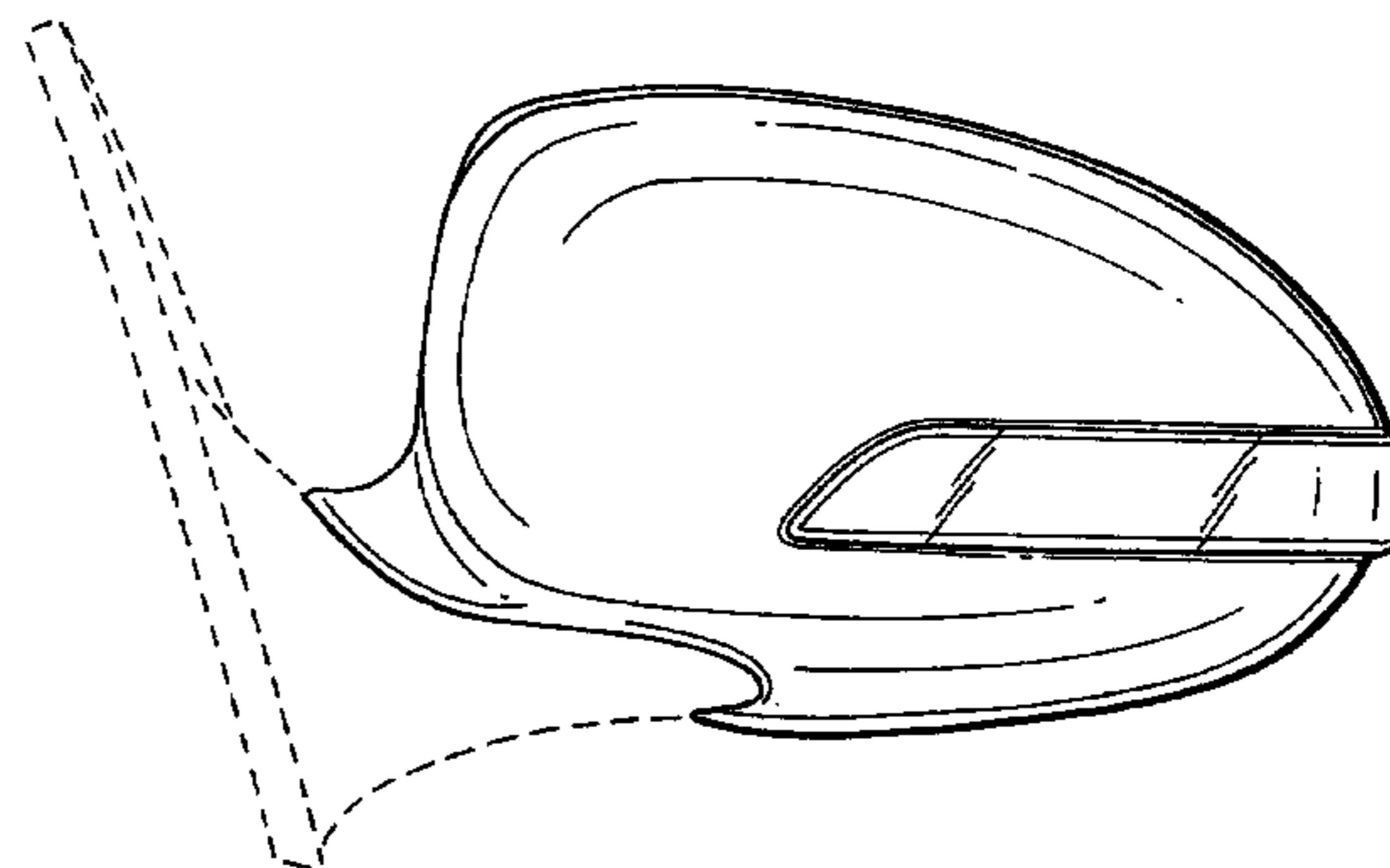
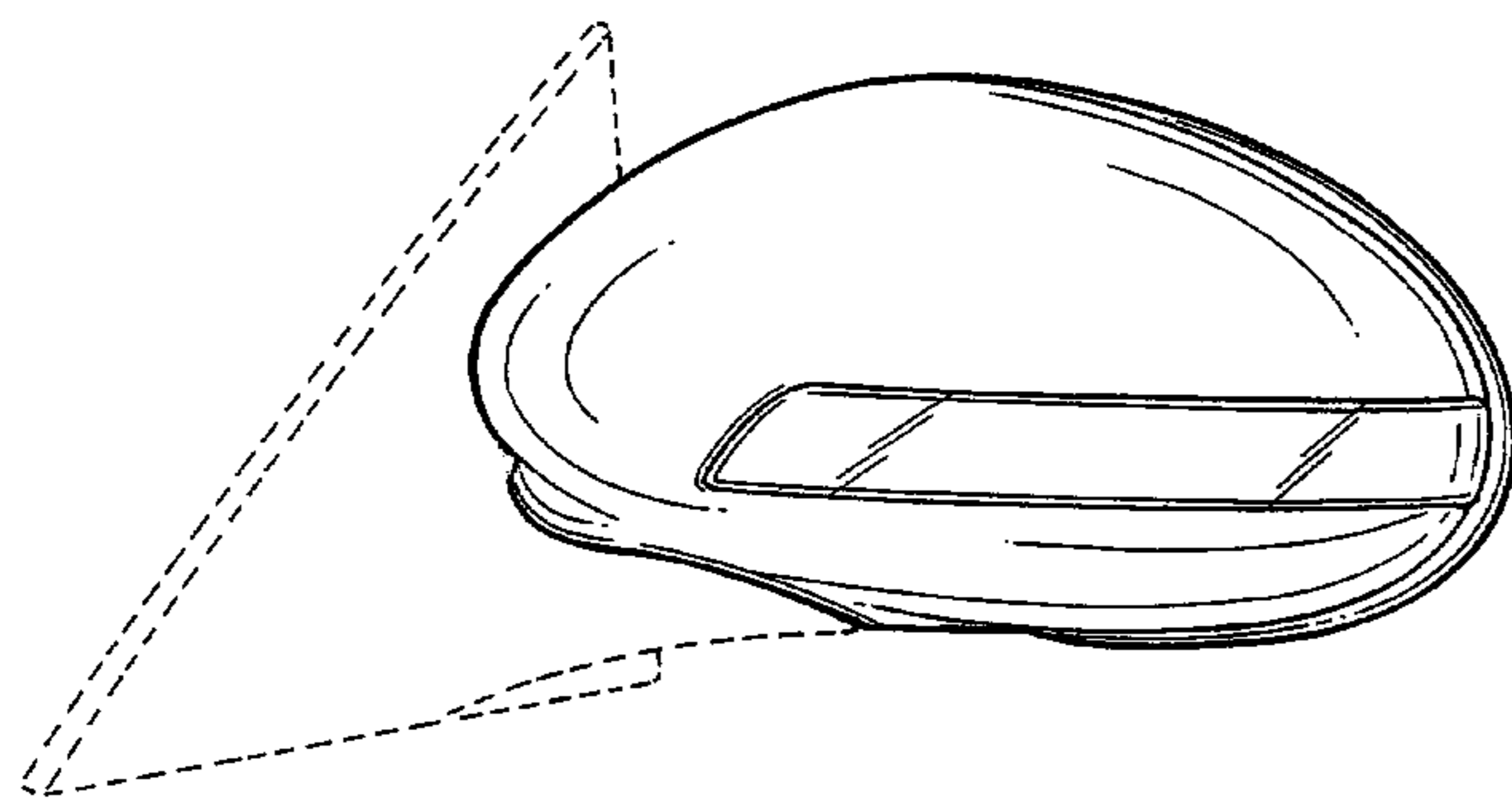
FIG. 10 is a side view thereof;

FIG. 11 is a top view thereof; and,

FIG. 12 is a bottom view thereof.

The broken lines are for illustrative purposes only and form no part of the claimed design.

1 Claim, 8 Drawing Sheets



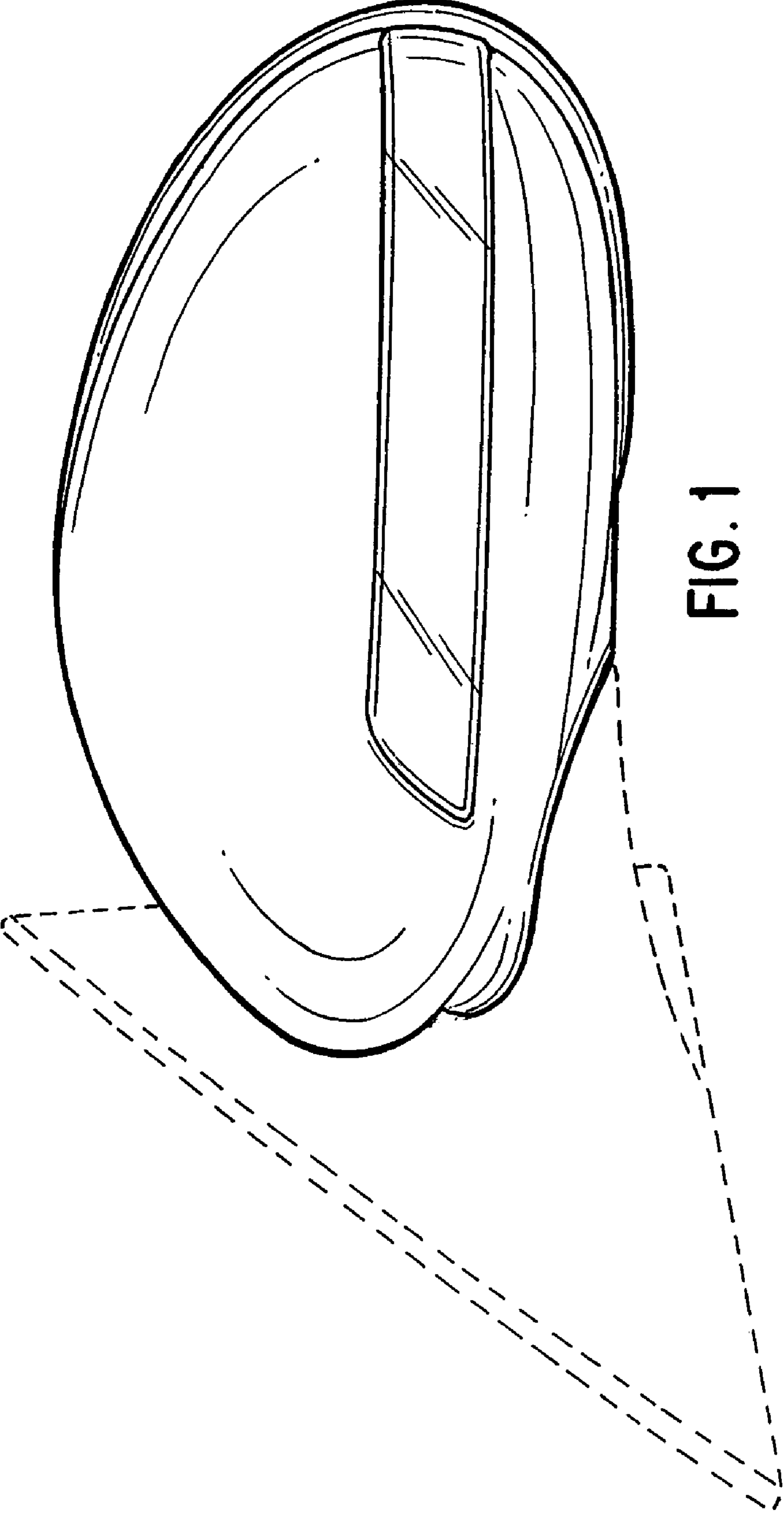


FIG. 1

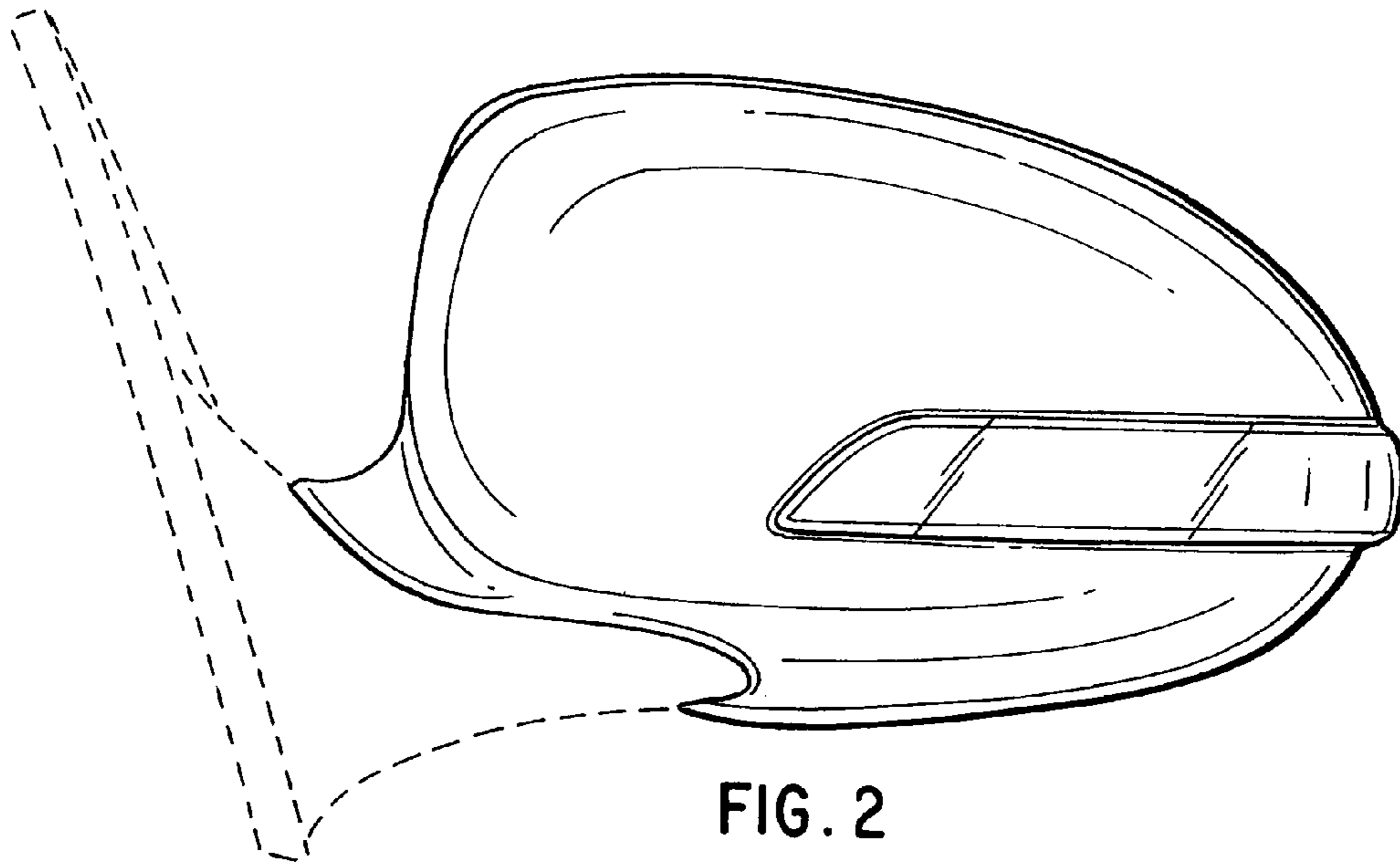


FIG. 2

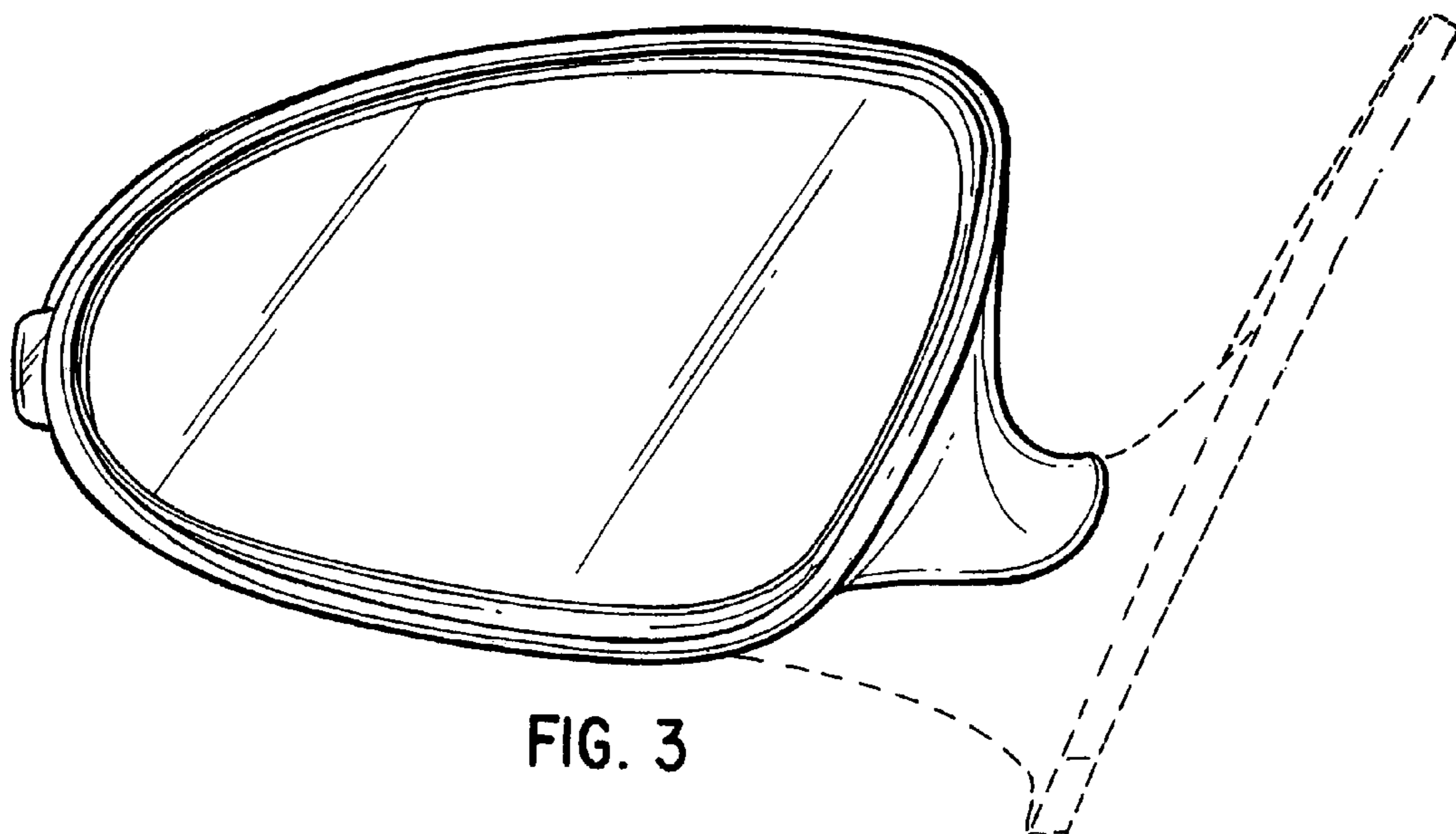
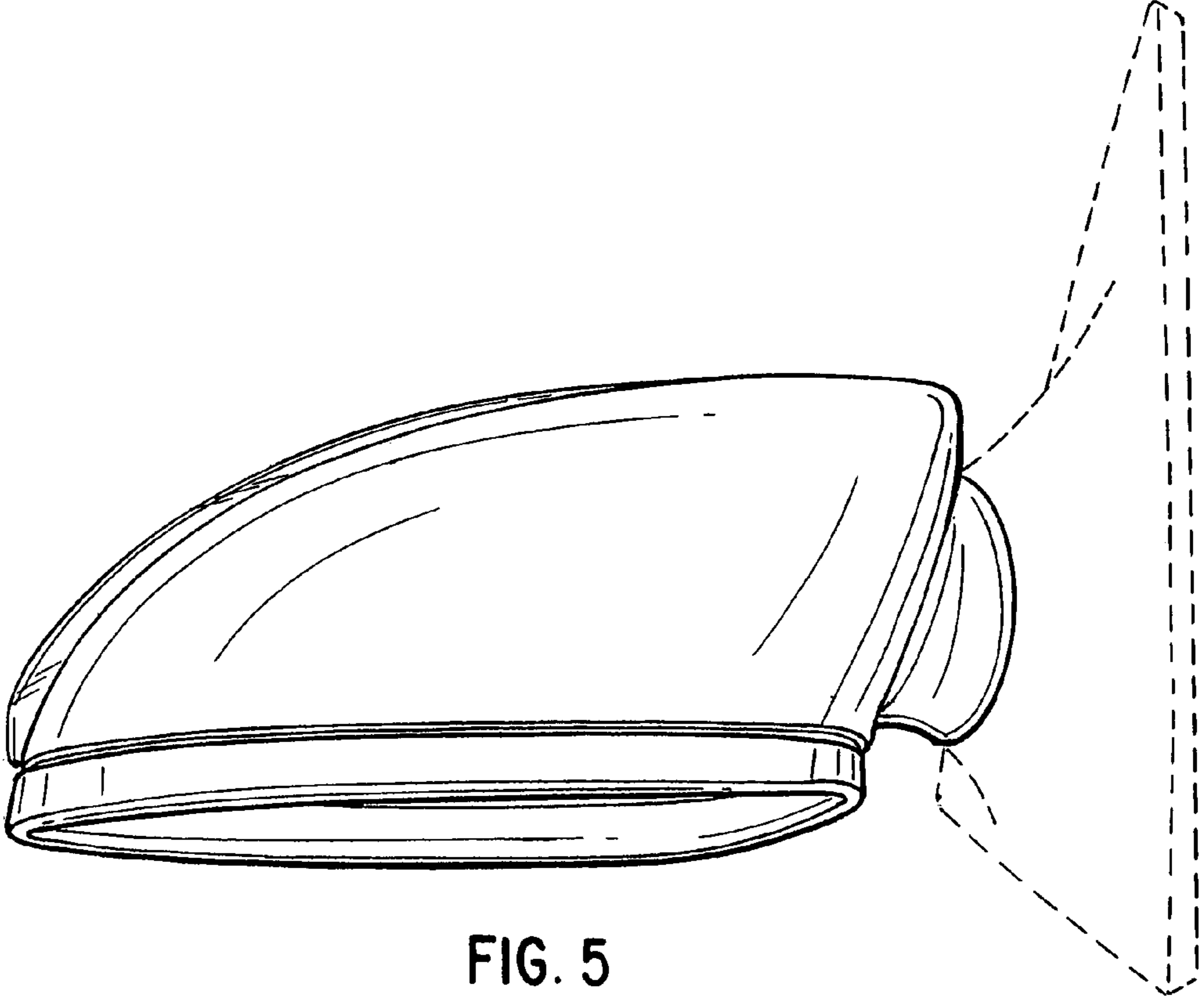
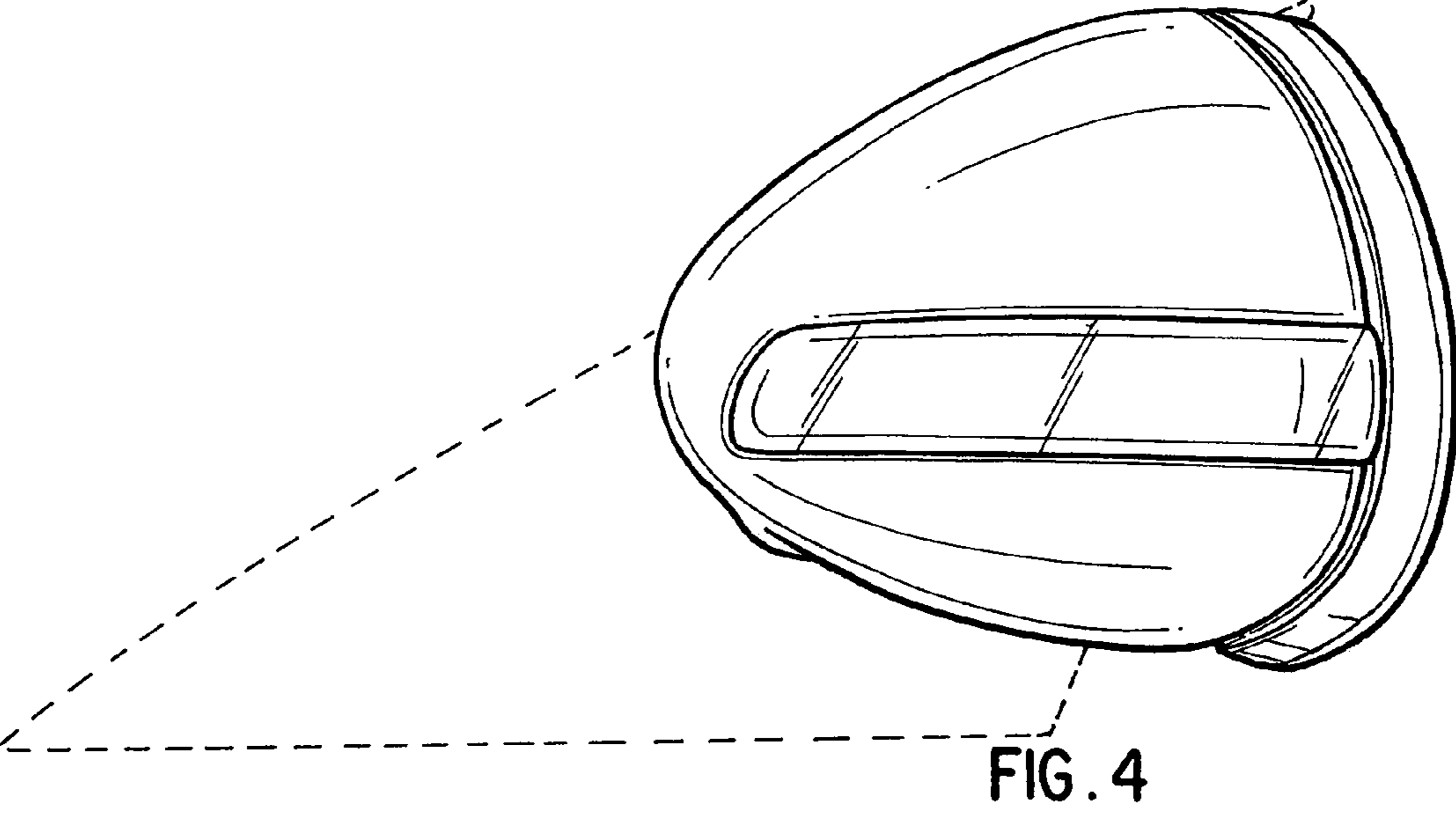


FIG. 3



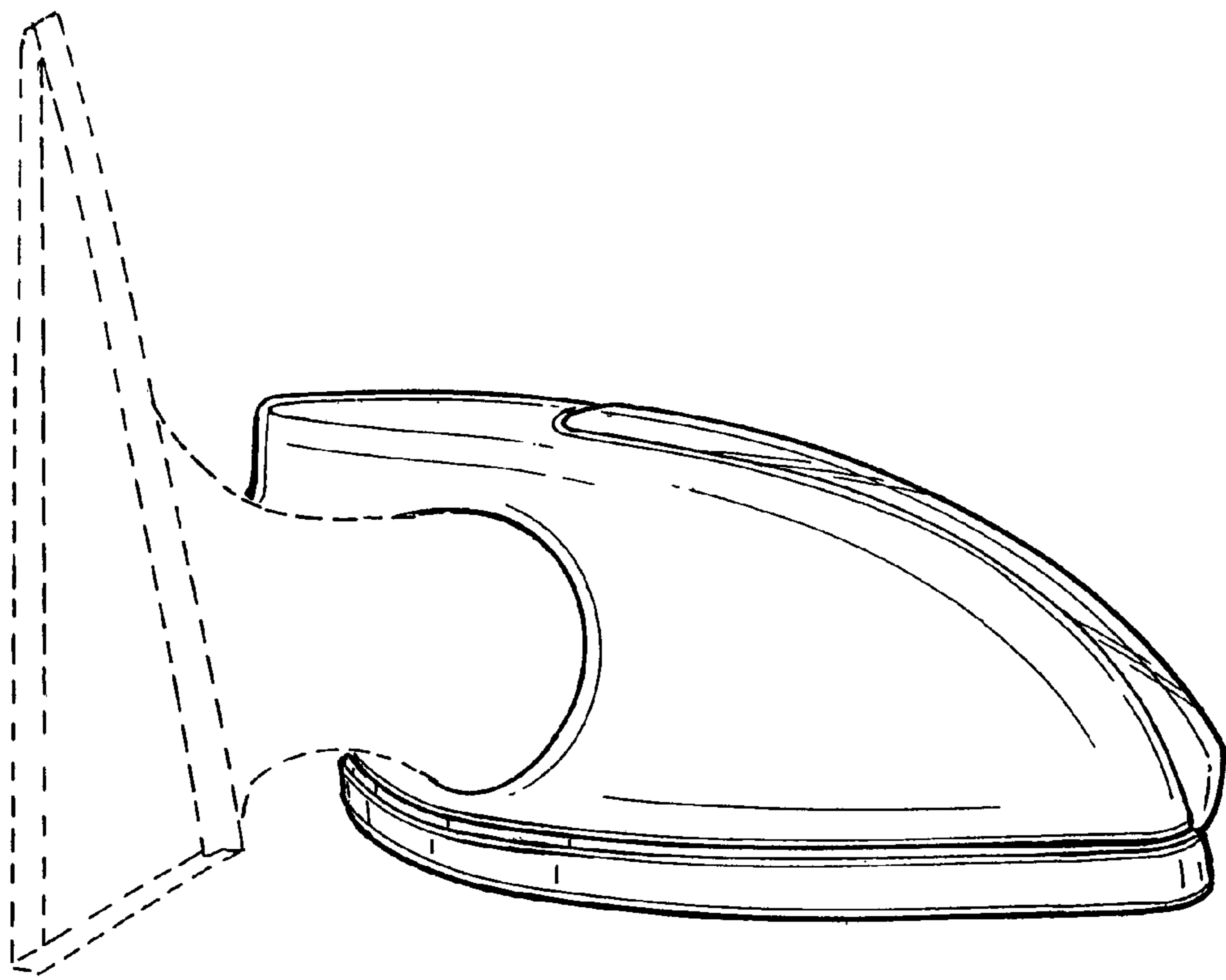


FIG. 6

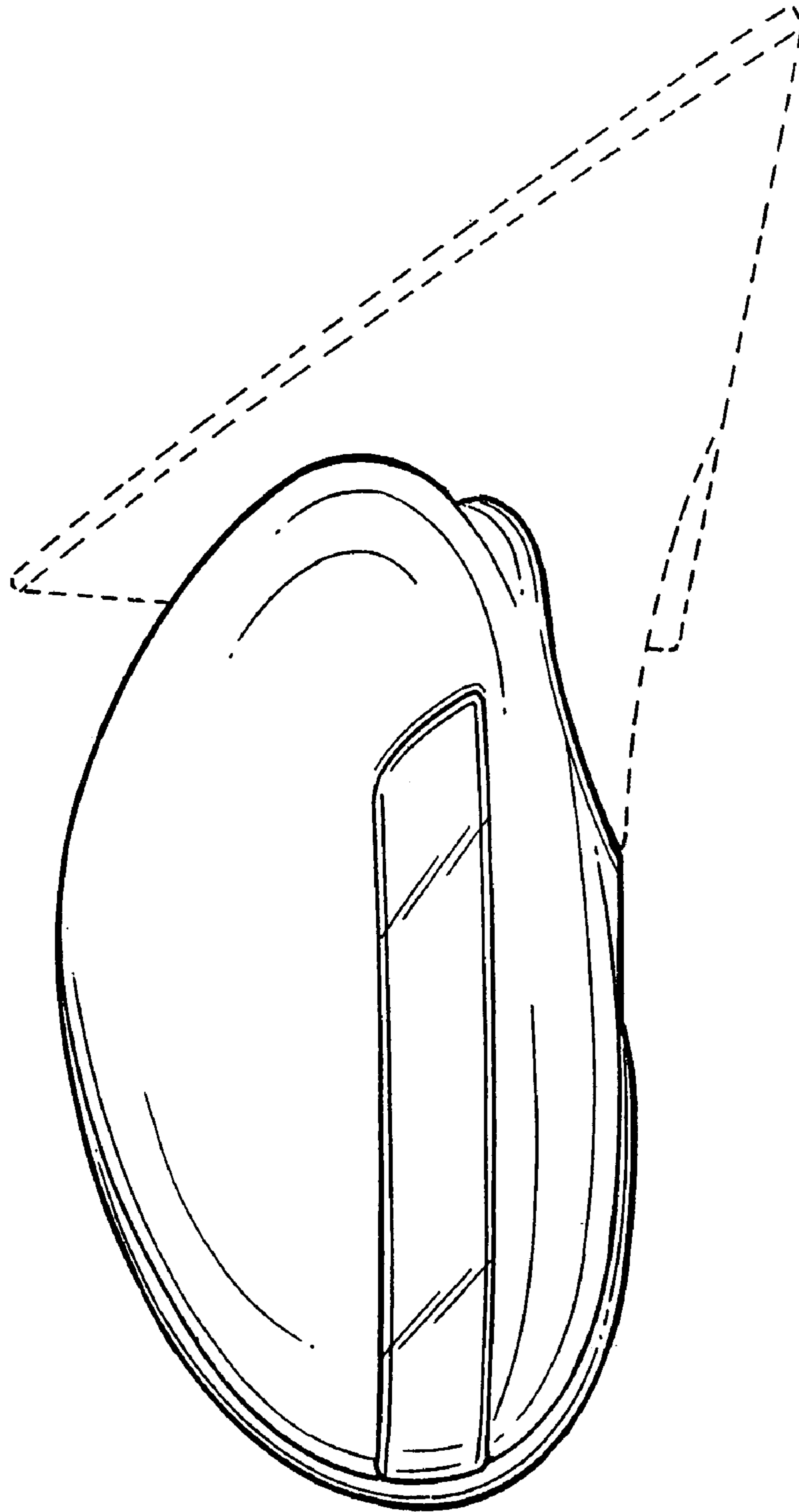


FIG. 7

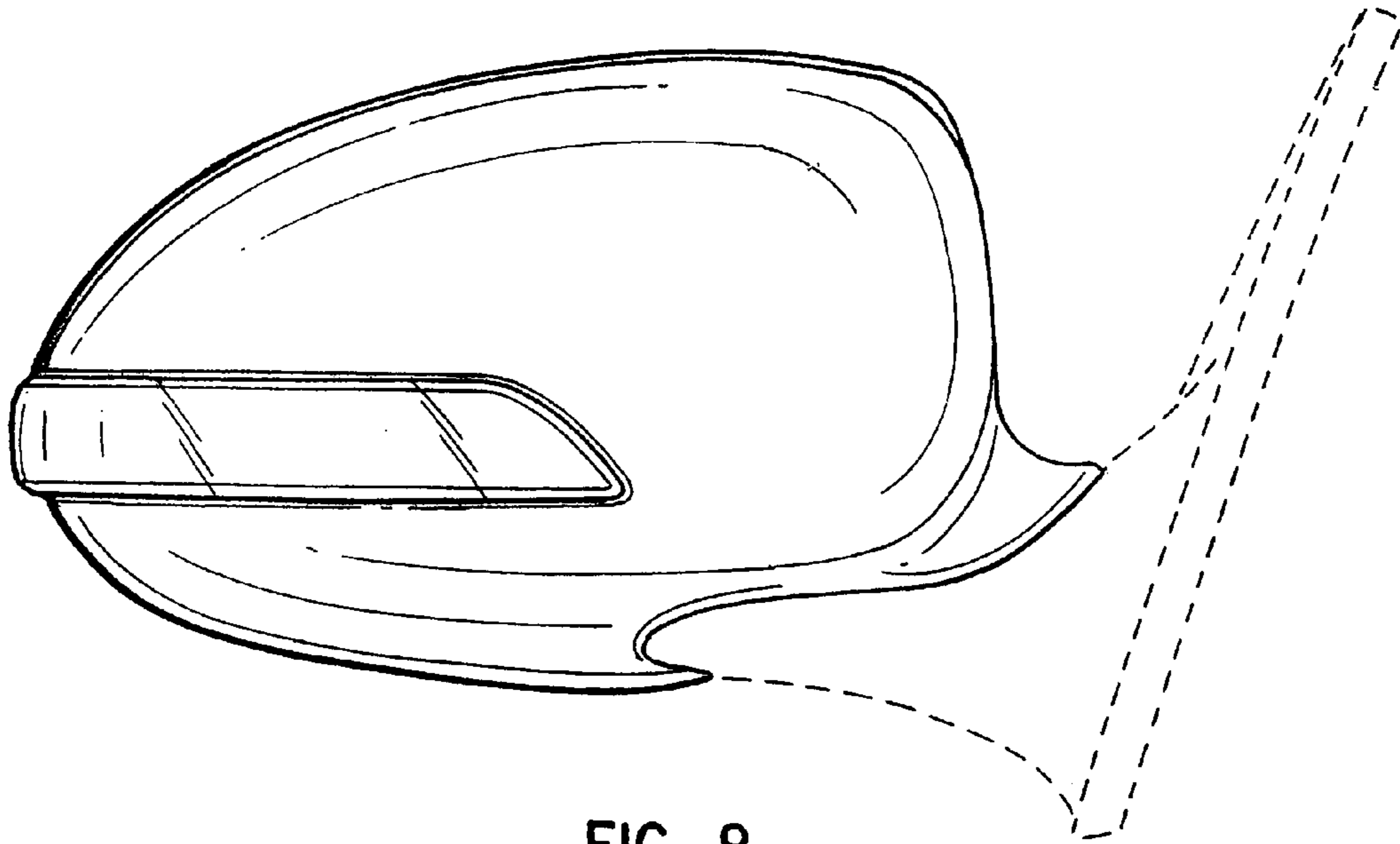


FIG. 8

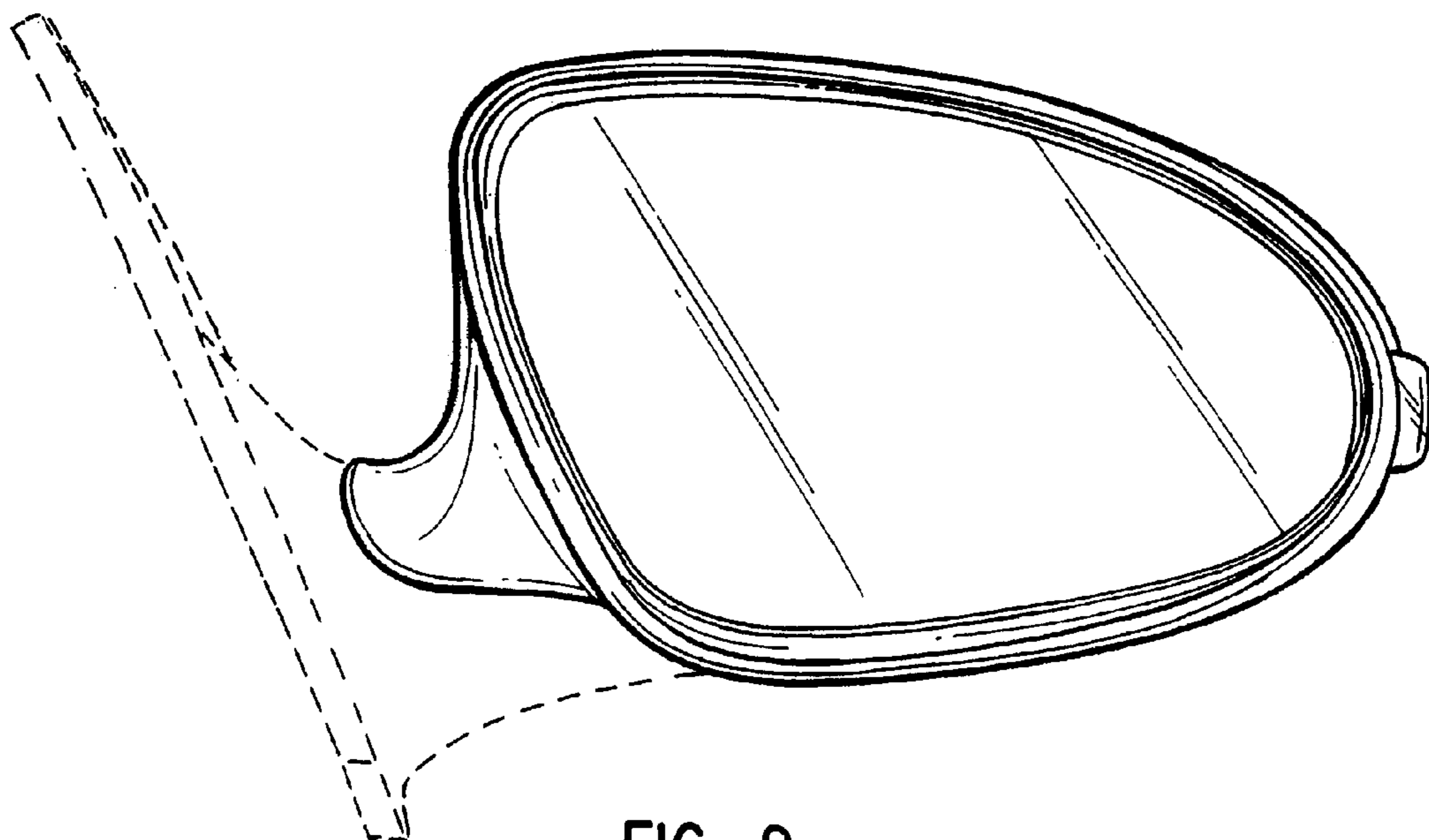


FIG. 9

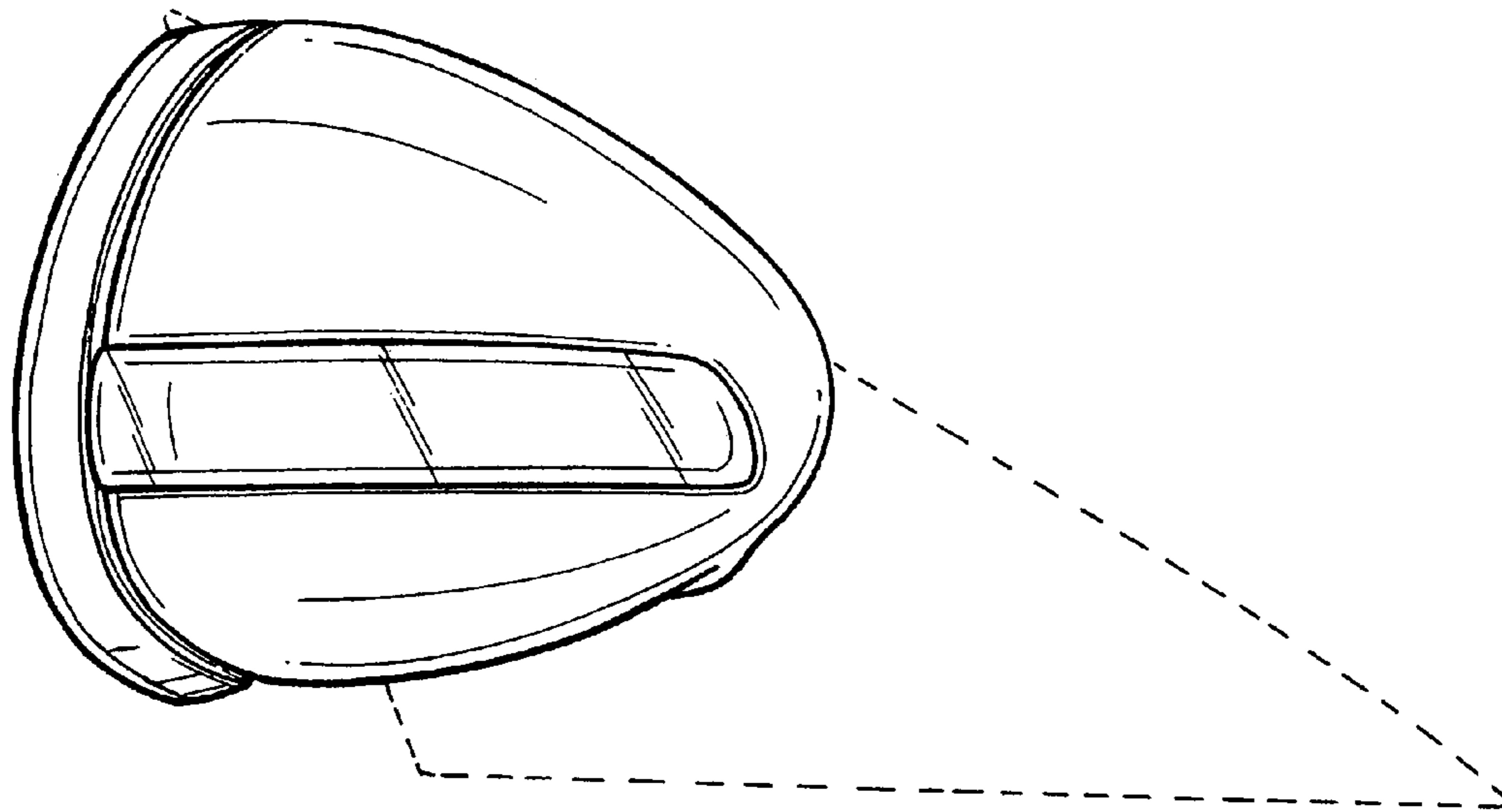


FIG. 10

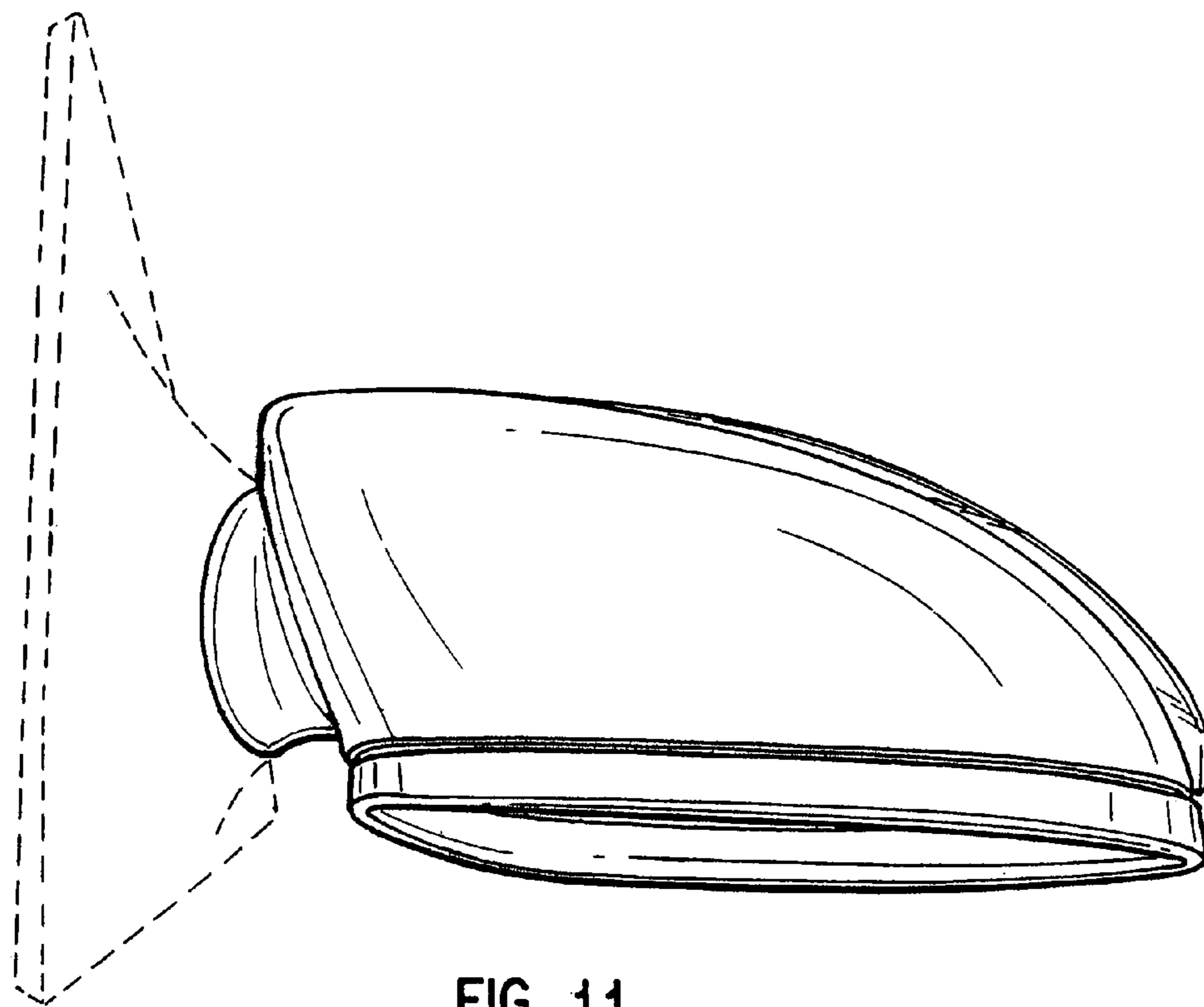


FIG. 11

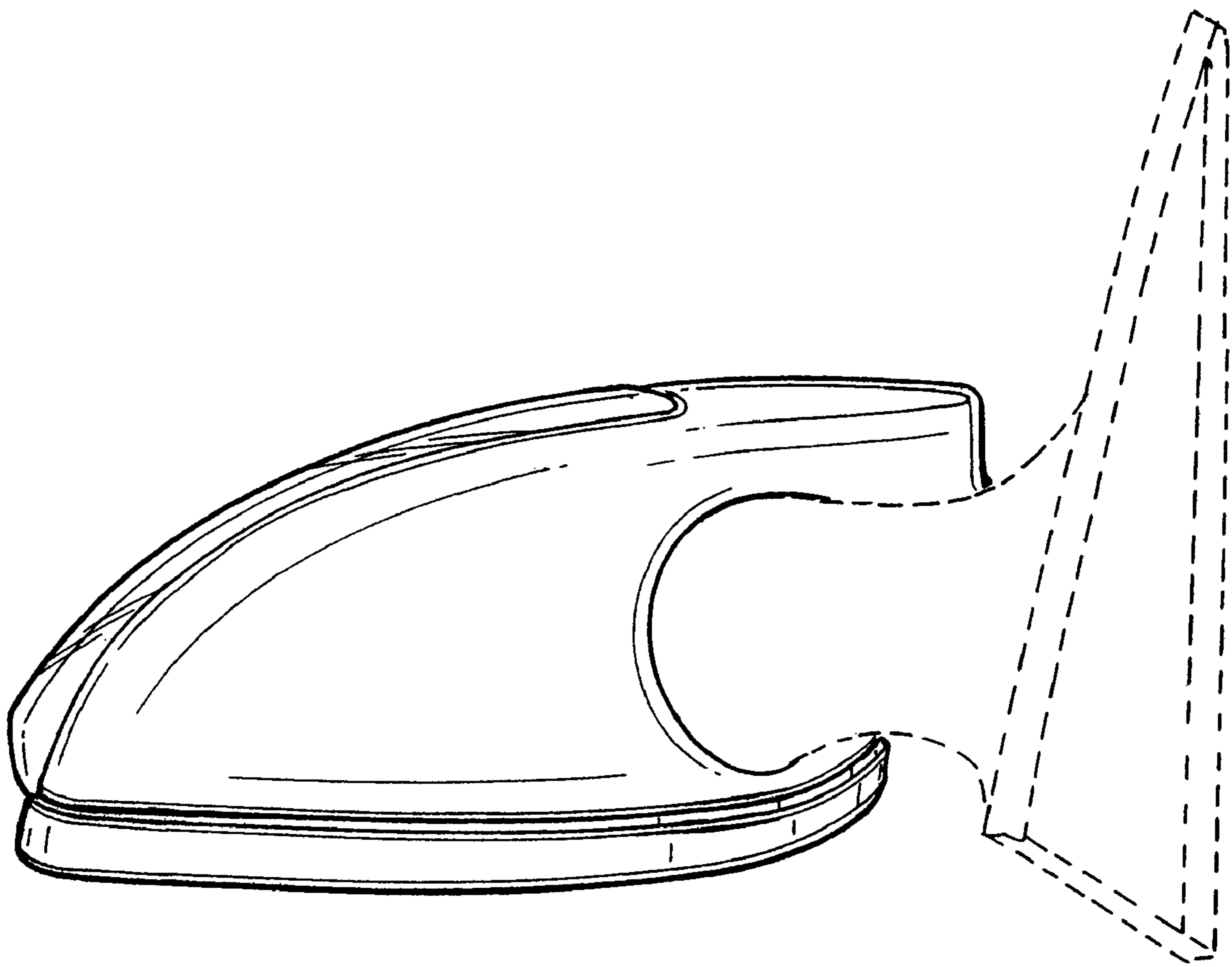


FIG. 12