



US00D551605S

(12) **United States Design Patent** (10) **Patent No.:** **US D551,605 S**
Pfeiffer (45) **Date of Patent:** **** Sep. 25, 2007**

(54) **MOUNTING PIECE FOR A SIDE MIRROR FOR A VEHICLE**

(75) Inventor: **Peter Pfeiffer**, Boeblingen (DE)

(73) Assignee: **DaimlerChrysler AG**, Stuttgart (DE)

(**) Term: **14 Years**

(21) Appl. No.: **29/251,165**

(22) Filed: **Jan. 5, 2006**

(30) **Foreign Application Priority Data**

Jul. 6, 2005 (DE) 4 05 03 463

(51) **LOC (8) Cl.** **12-16**

(52) **U.S. Cl.** **D12/187**

(58) **Field of Classification Search** D12/187-189,
D12/223; 359/838-851, 855-868, 871-881;
248/475.1, 476, 479-481, 485-487; 296/101.1
See application file for complete search history.

(56) **References Cited**

U.S. PATENT DOCUMENTS

D250,702 S * 1/1979 VandenBrink et al. D12/187

(Continued)

Primary Examiner—Stacia Cadmus

(74) *Attorney, Agent, or Firm*—Crowell & Moring, LLP

(57) **CLAIM**

The ornamental design for a mounting piece for a side mirror for a vehicle, as shown and described.

DESCRIPTION

FIG. 1 is a perspective view of a first embodiment of a mounting piece for a side mirror for a vehicle according to my novel design;

FIG. 2 is a front view thereof;

FIG. 3 is a top view thereof;

FIG. 4 is a side view thereof;

FIG. 5 is a rear view thereof; and

FIG. 6 is a bottom view thereof.

FIG. 7 is a perspective view of a second embodiment of the mounting piece for a side mirror for a vehicle according to my novel design;

FIG. 8 is a front view thereof;

FIG. 9 is a top view thereof;

FIG. 10 is a side view thereof;

FIG. 11 is a rear view thereof; and

FIG. 12 is a bottom view thereof.

FIG. 13 is a perspective view of a third embodiment of the mounting piece for a side mirror for a vehicle according to my novel design;

FIG. 14 is a front view thereof;

FIG. 15 is a top view thereof;

FIG. 16 is a side view thereof;

FIG. 17 is a rear view thereof; and

FIG. 18 is a bottom view thereof.

FIG. 19 is a perspective view of a fourth embodiment of the mounting piece for a side mirror for a vehicle according to my novel design;

FIG. 20 is a front view thereof;

FIG. 21 is a top view thereof;

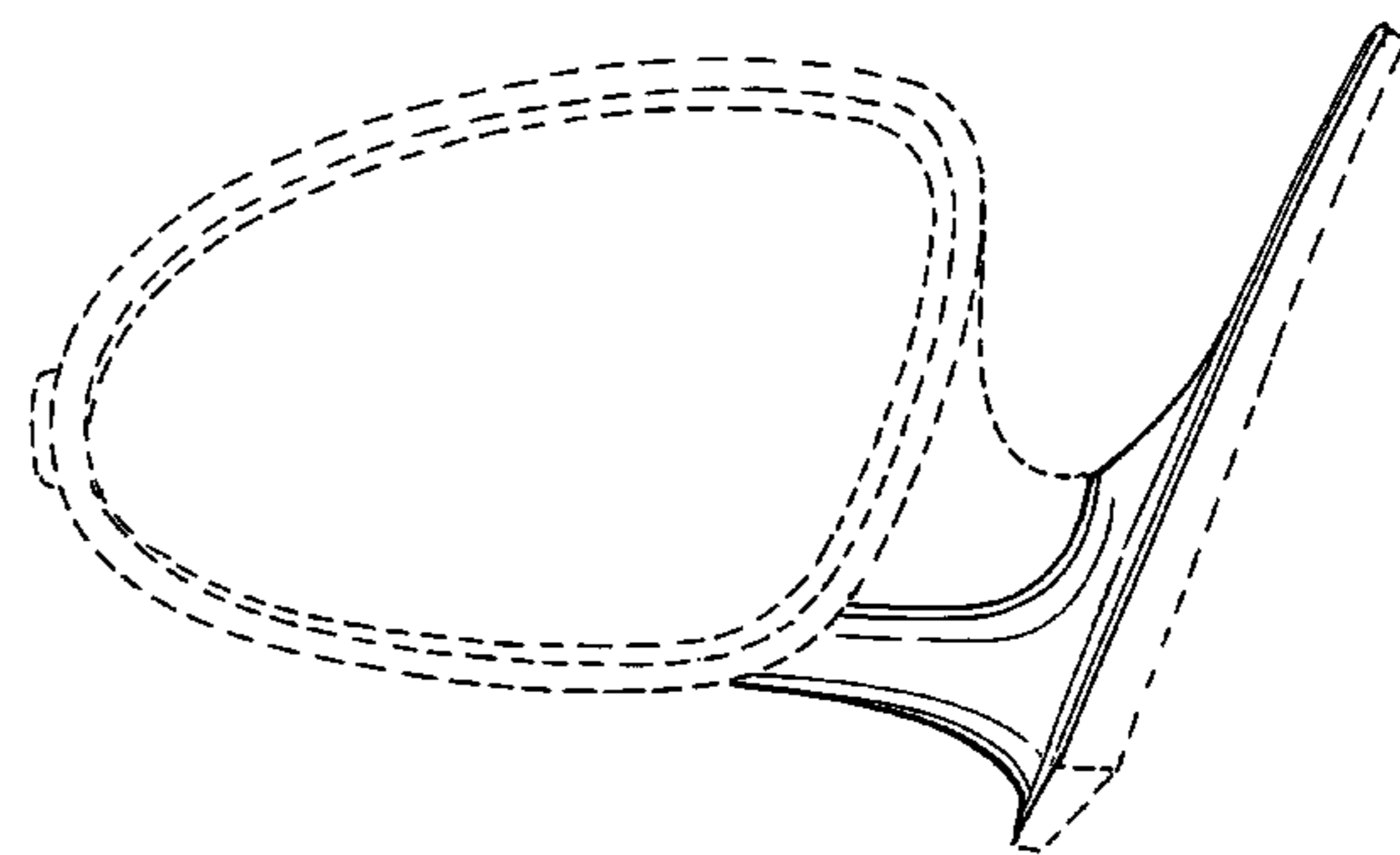
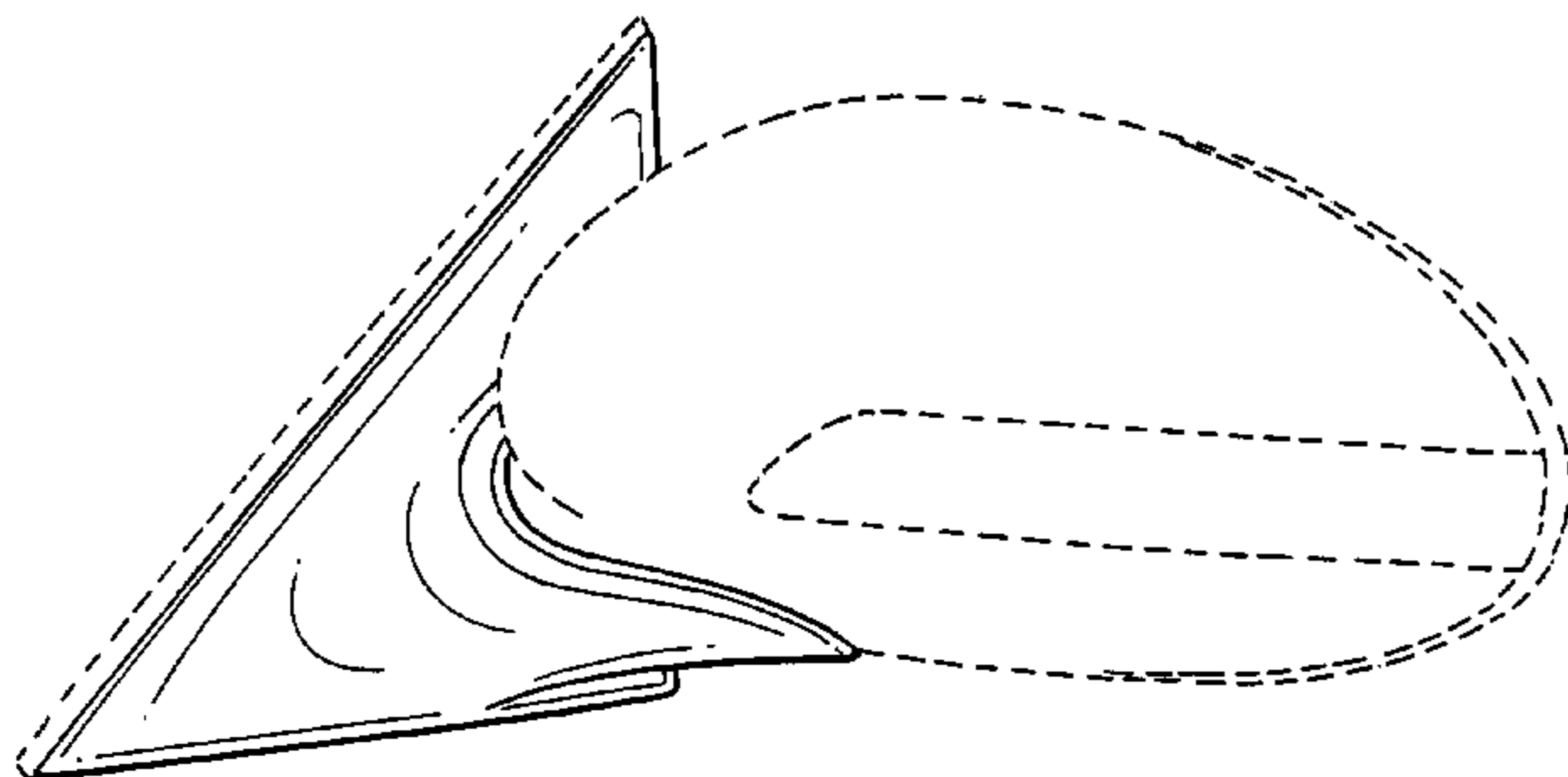
FIG. 22 is a side view thereof;

FIG. 23 is a rear view thereof; and,

FIG. 24 is a bottom view thereof.

The broken lines are for illustrative purposes only and form no part of the claimed design.

1 Claim, 16 Drawing Sheets



US D551,605 S

Page 2

U.S. PATENT DOCUMENTS

D251,662 S *	4/1979	Hutchinson et al.	D12/187	5,623,374 A *	4/1997	Montanbault	359/841
4,281,815 A *	8/1981	O'Connell et al.	248/479	6,598,983 B1 *	7/2003	Boddy	359/841
D268,576 S *	4/1983	Sharp	D12/187	D516,479 S *	3/2006	Ervolina	D12/187
D285,549 S *	9/1986	Haack	D12/187	D519,428 S *	4/2006	Ervolina	D12/187
D300,737 S *	4/1989	Charet et al.	D12/187	D534,109 S *	12/2006	Camm	D12/187
5,489,080 A *	2/1996	Allen	248/480				

* cited by examiner

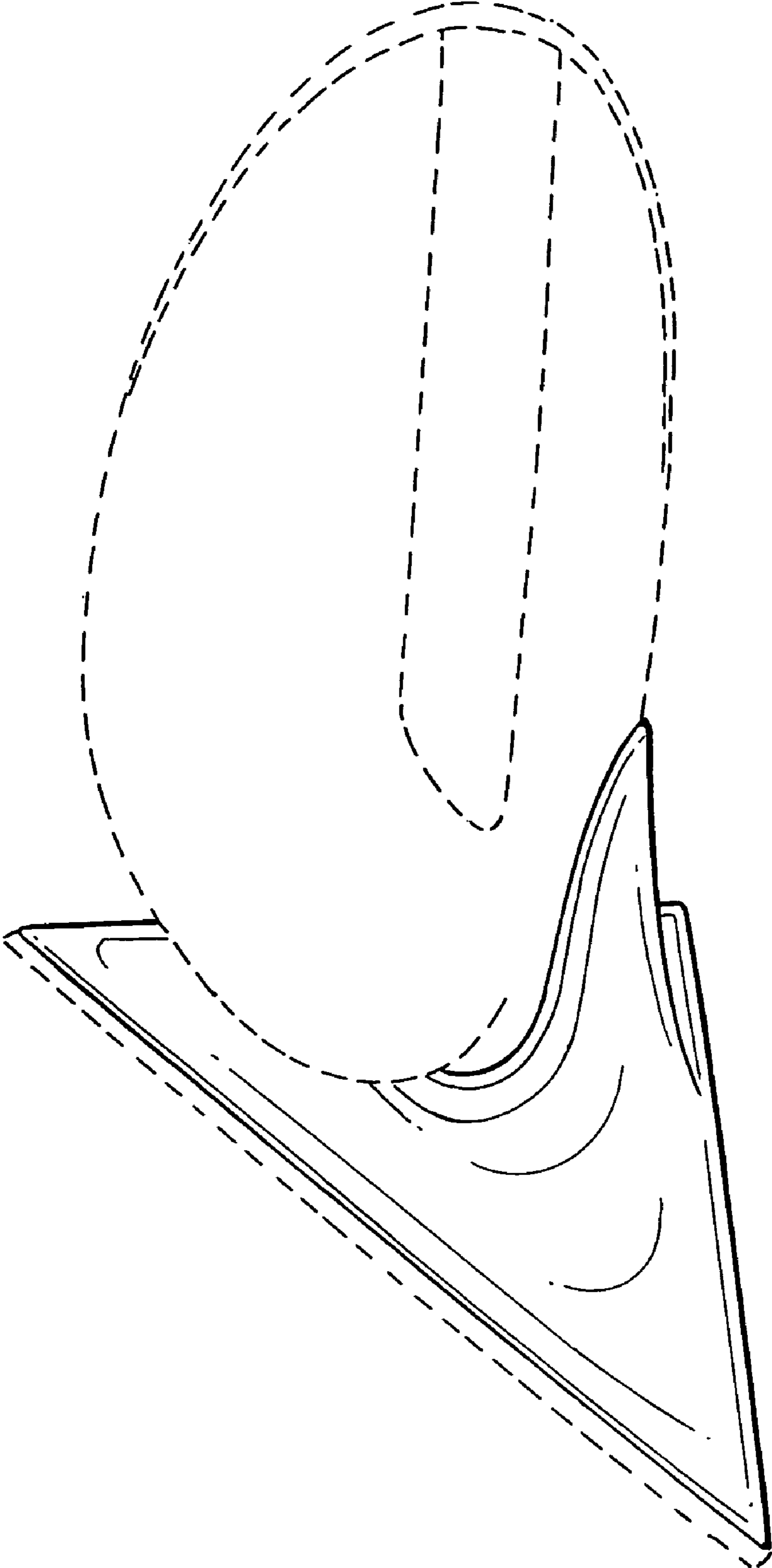


FIG. 1

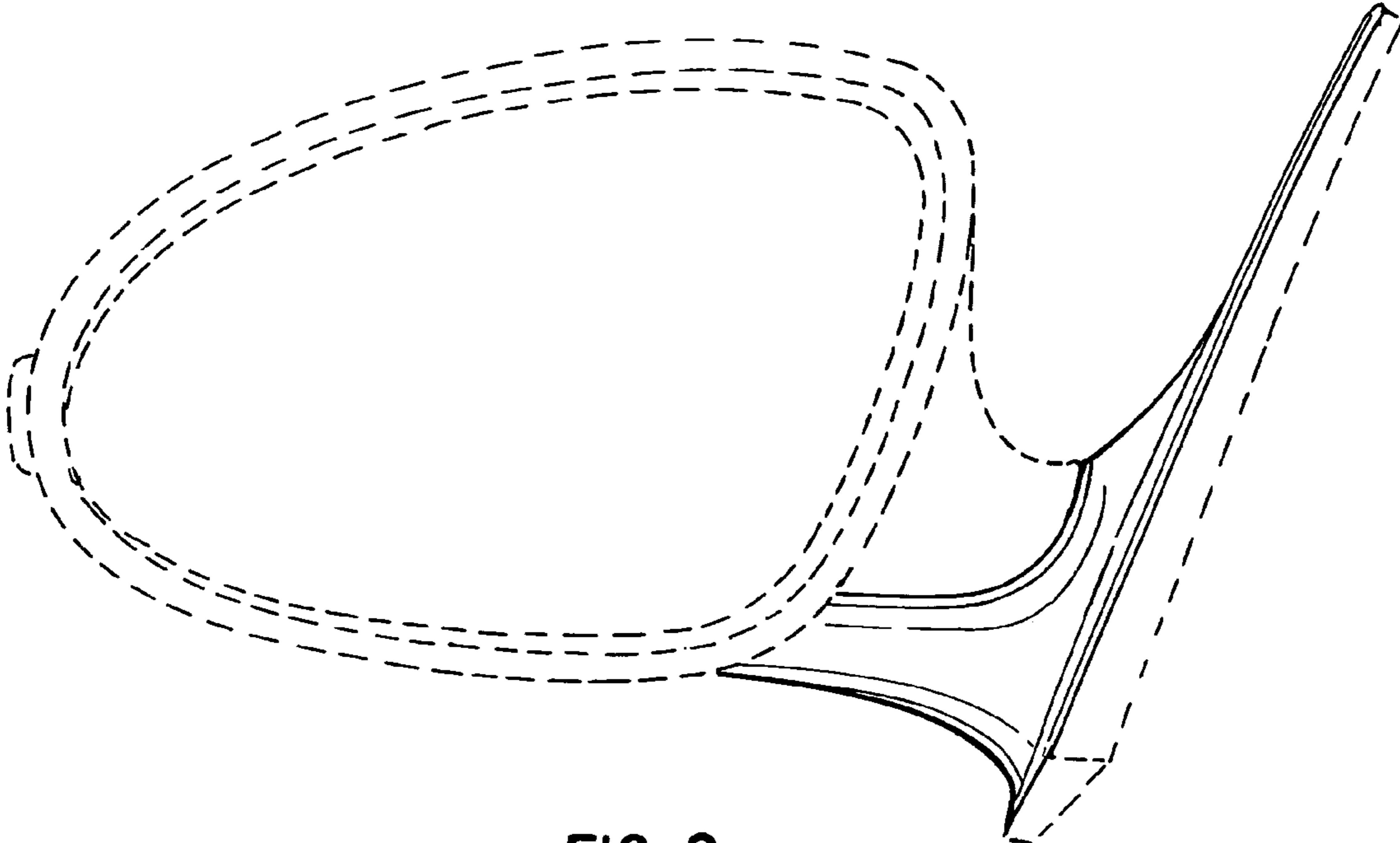


FIG. 2

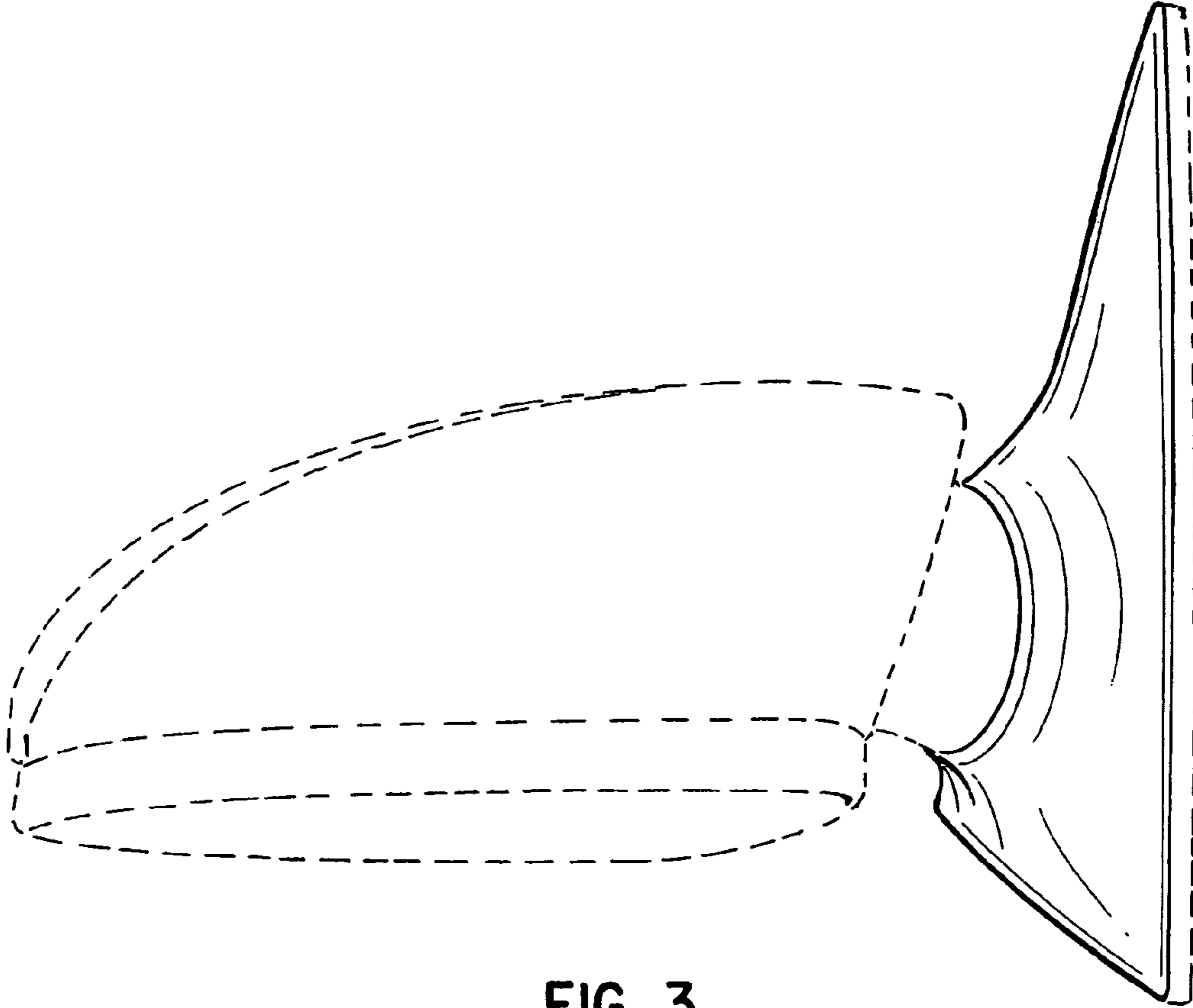


FIG. 3

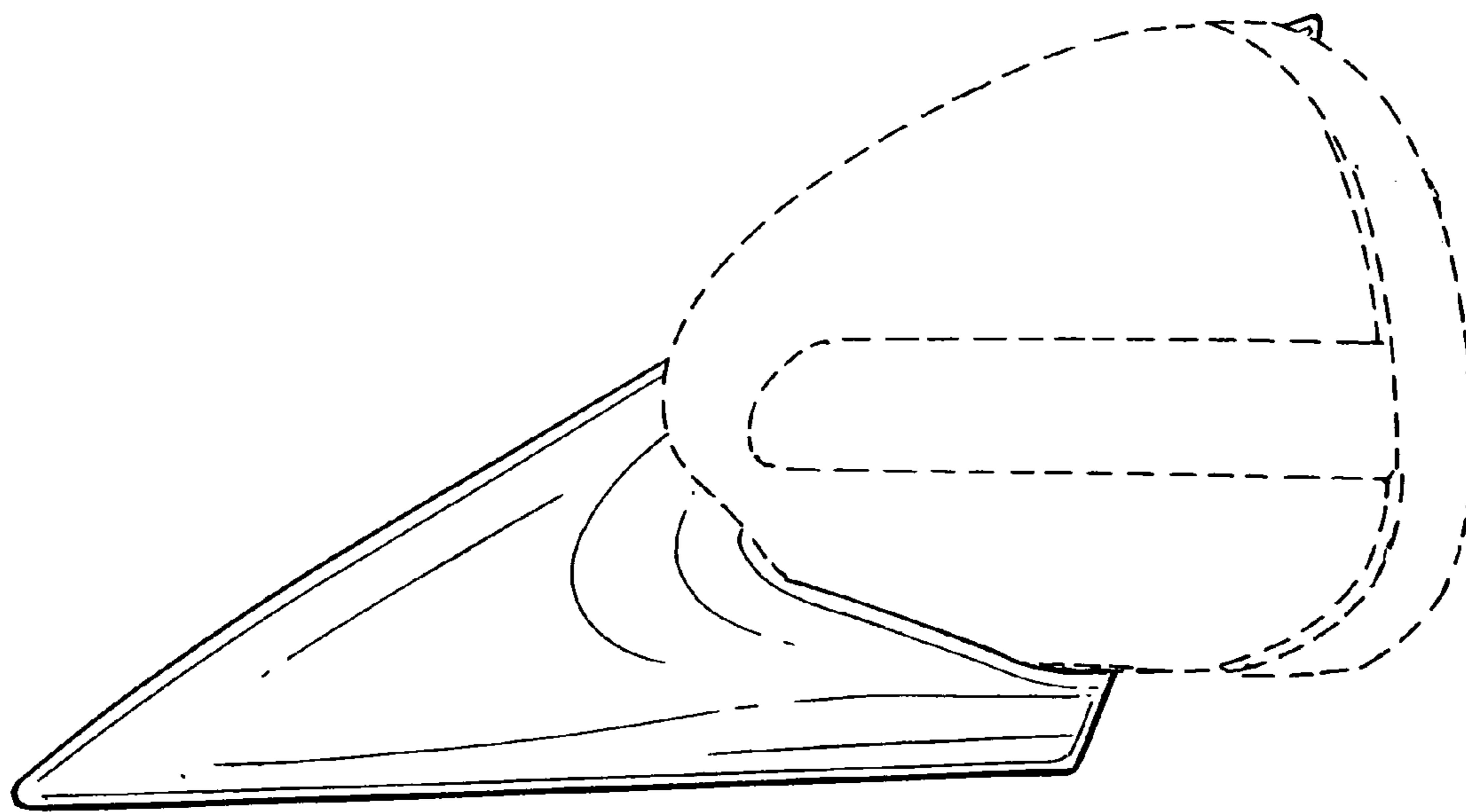


FIG. 4

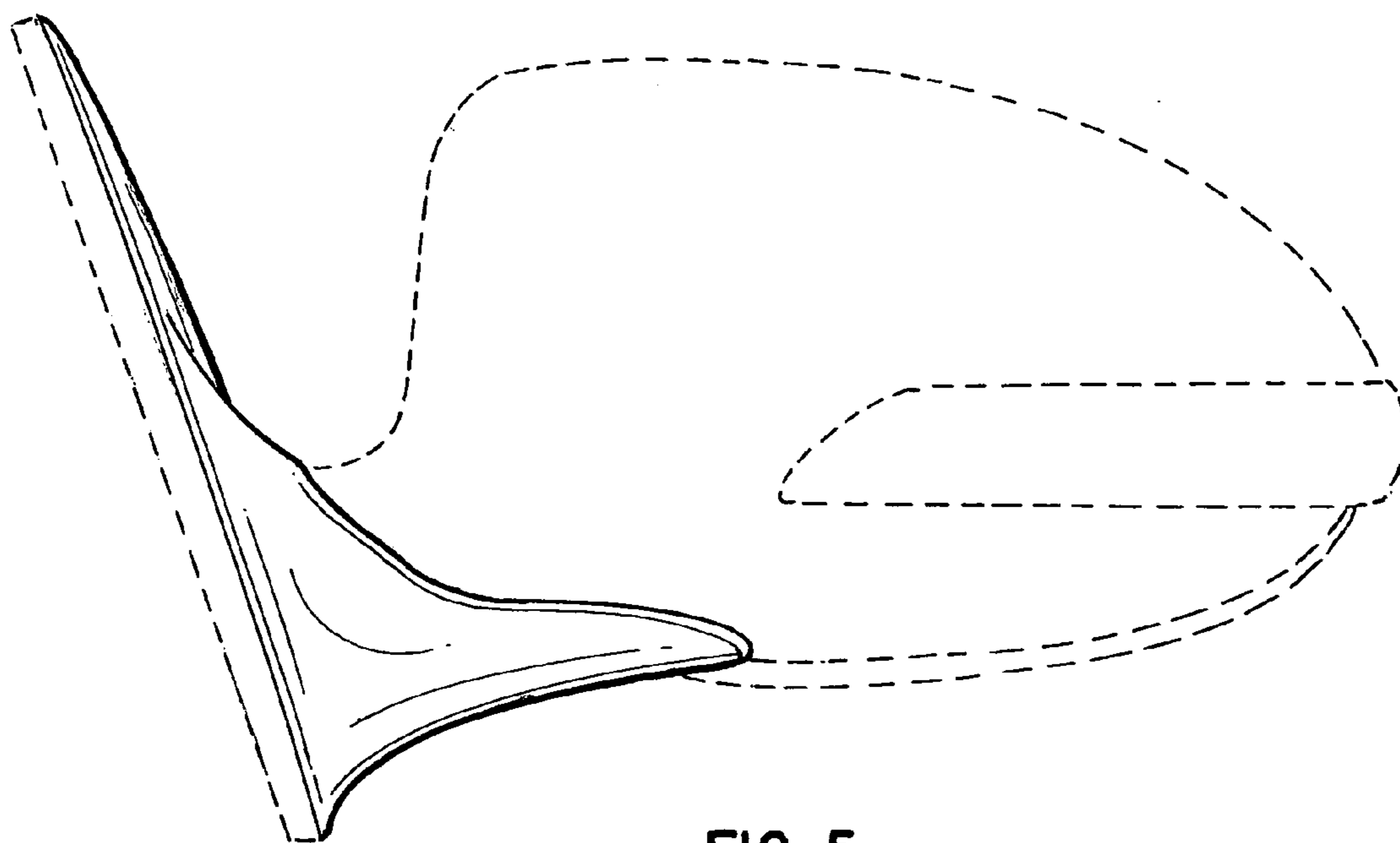


FIG. 5

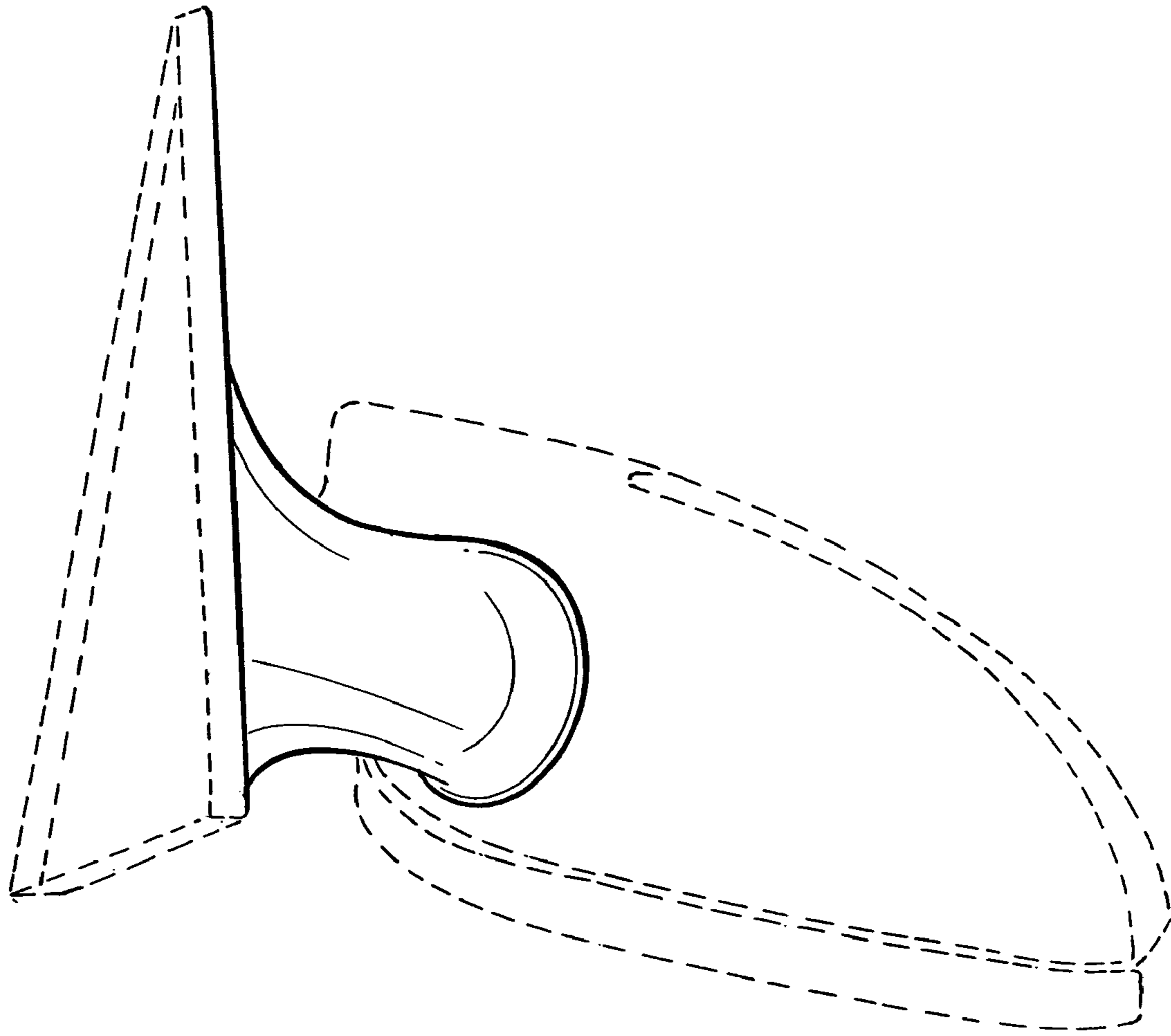


FIG. 6

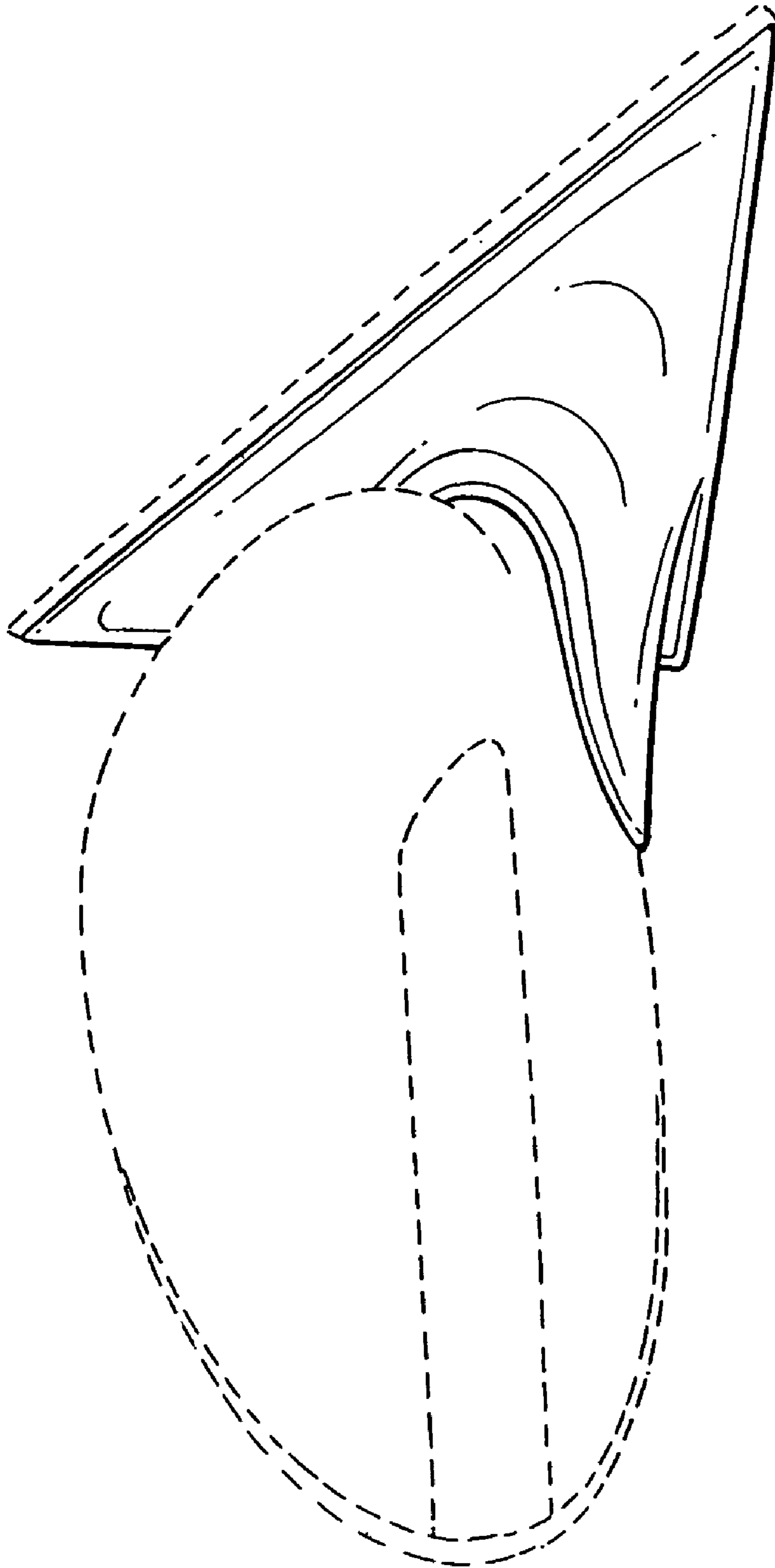


FIG. 7

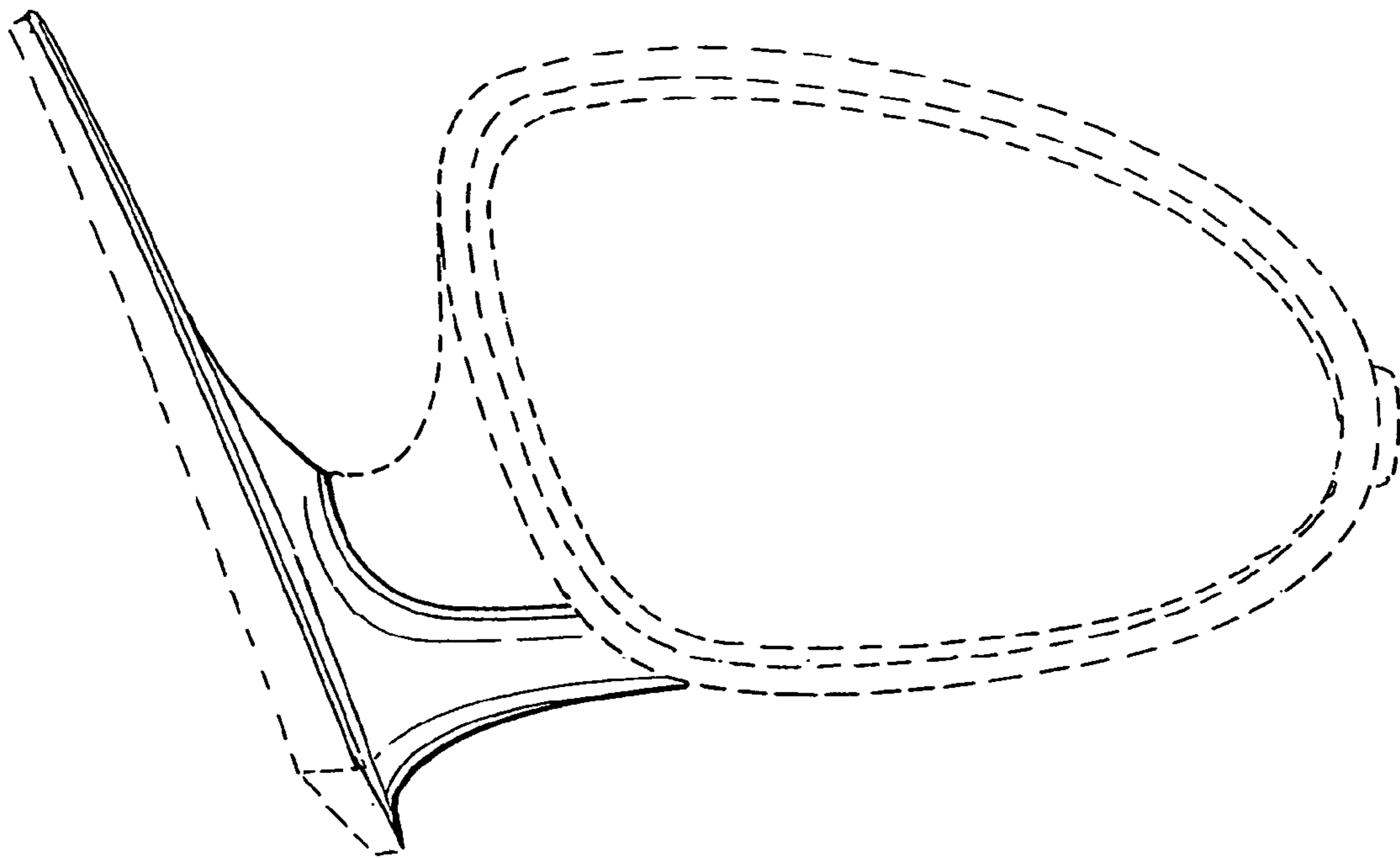


FIG. 8

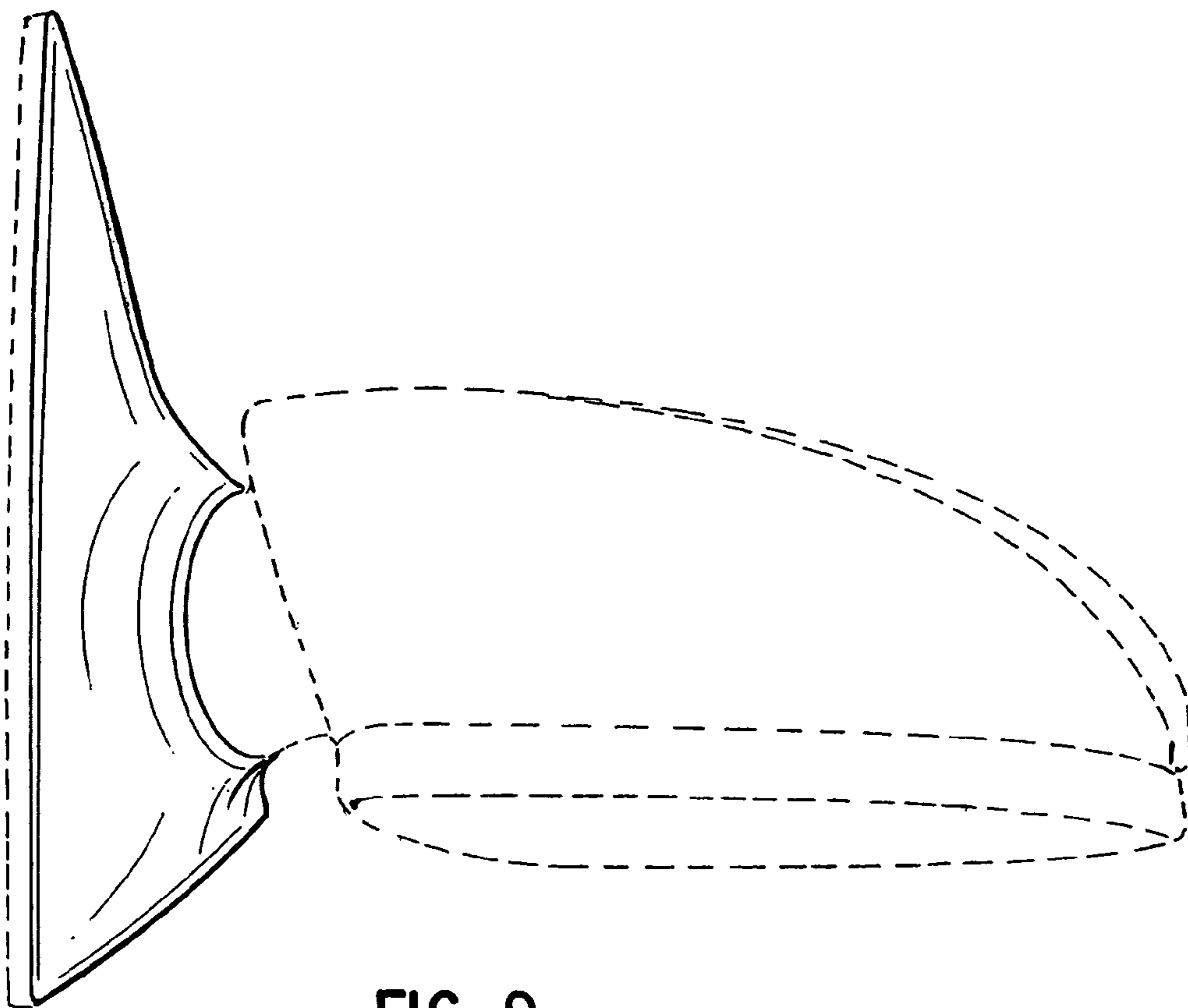


FIG. 9

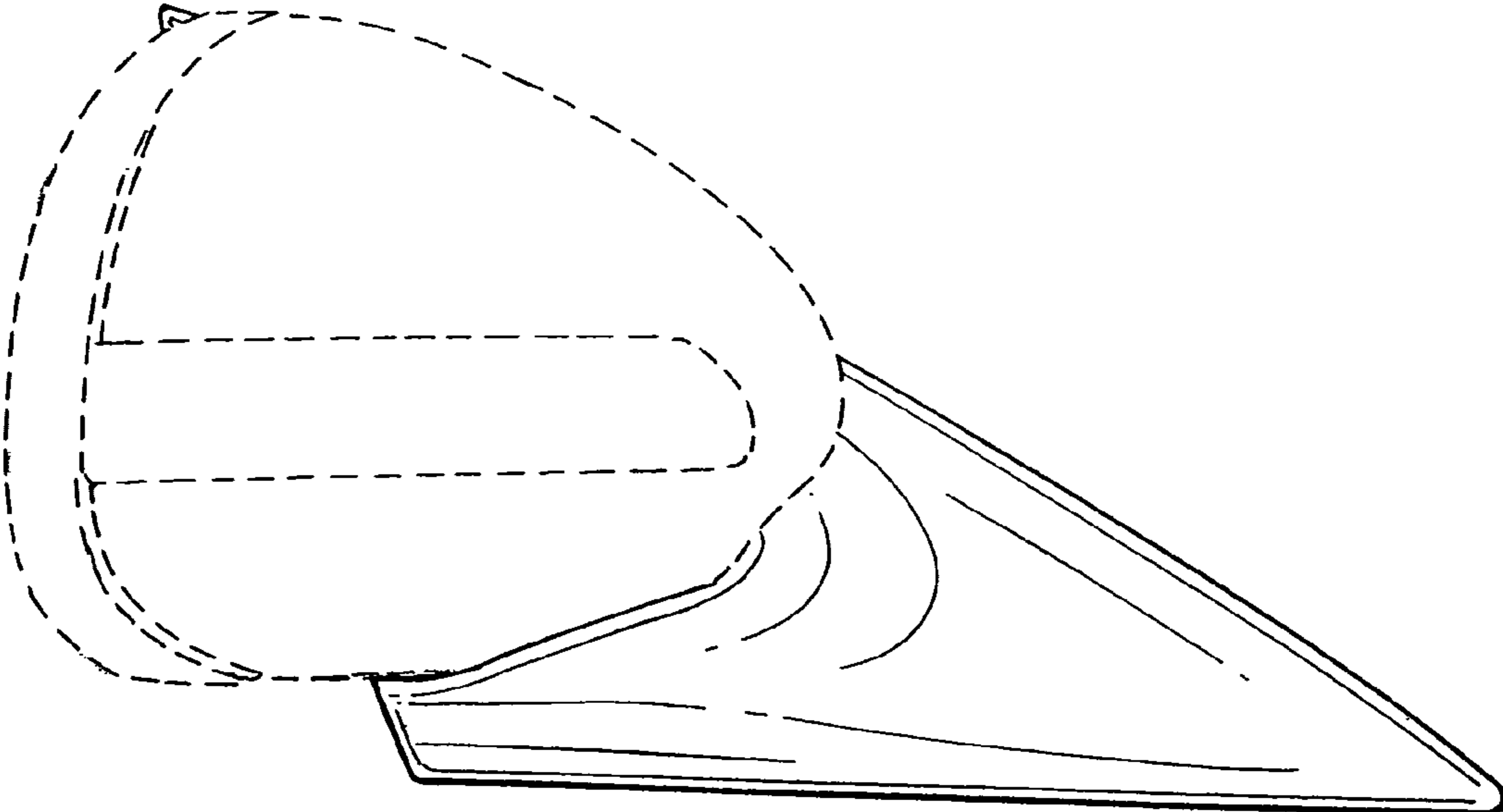


FIG. 10

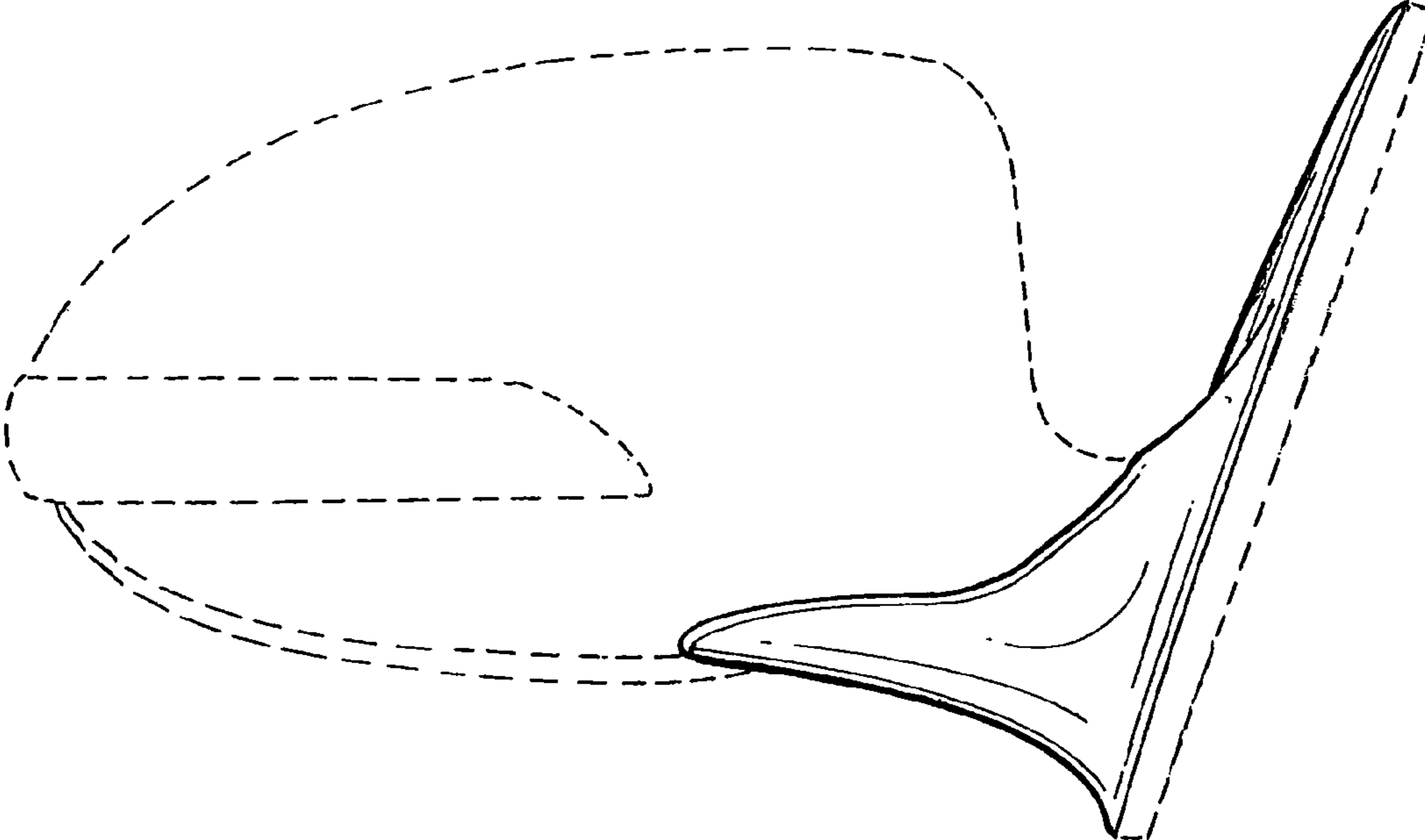


FIG. 11

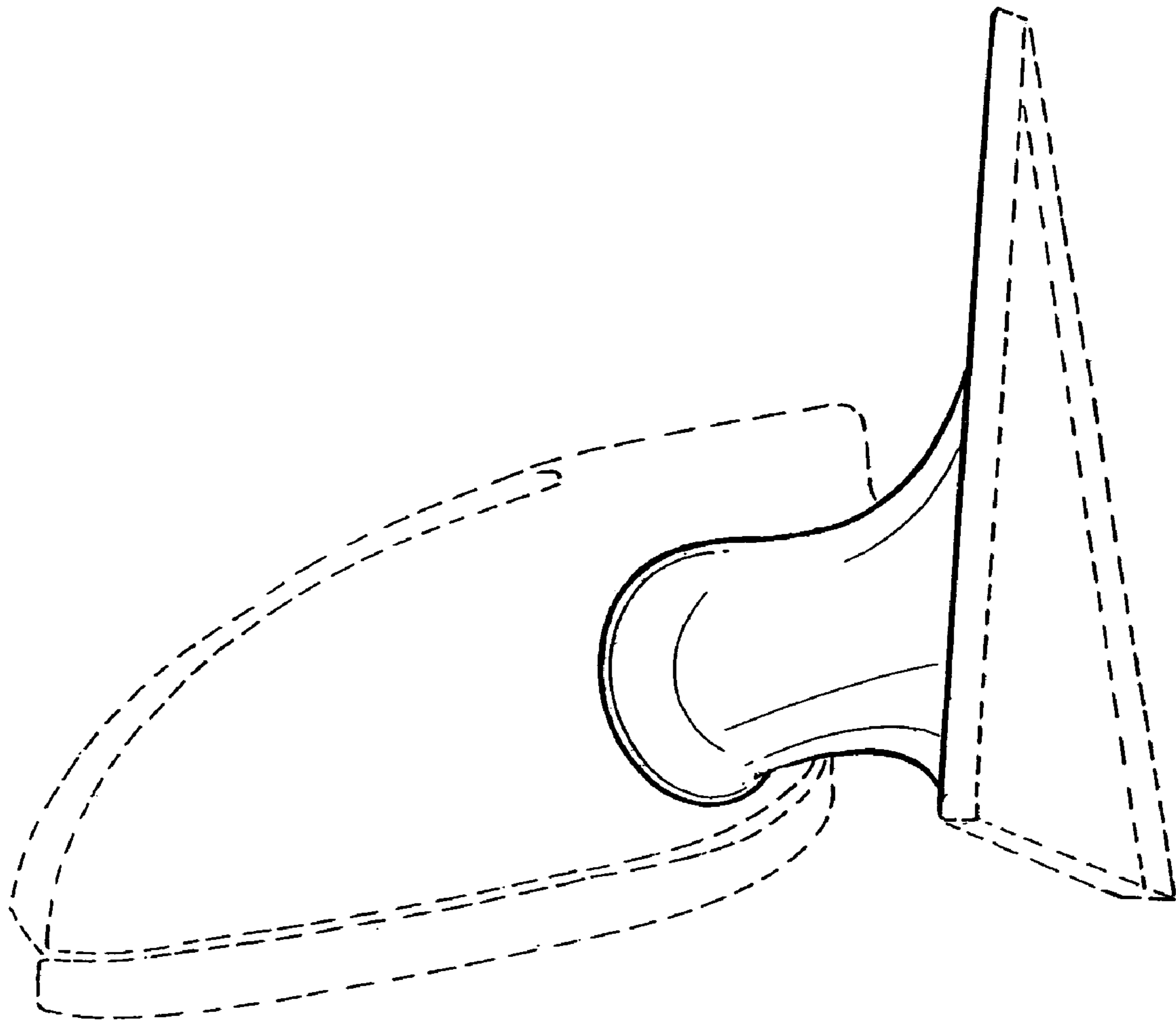


FIG. 12

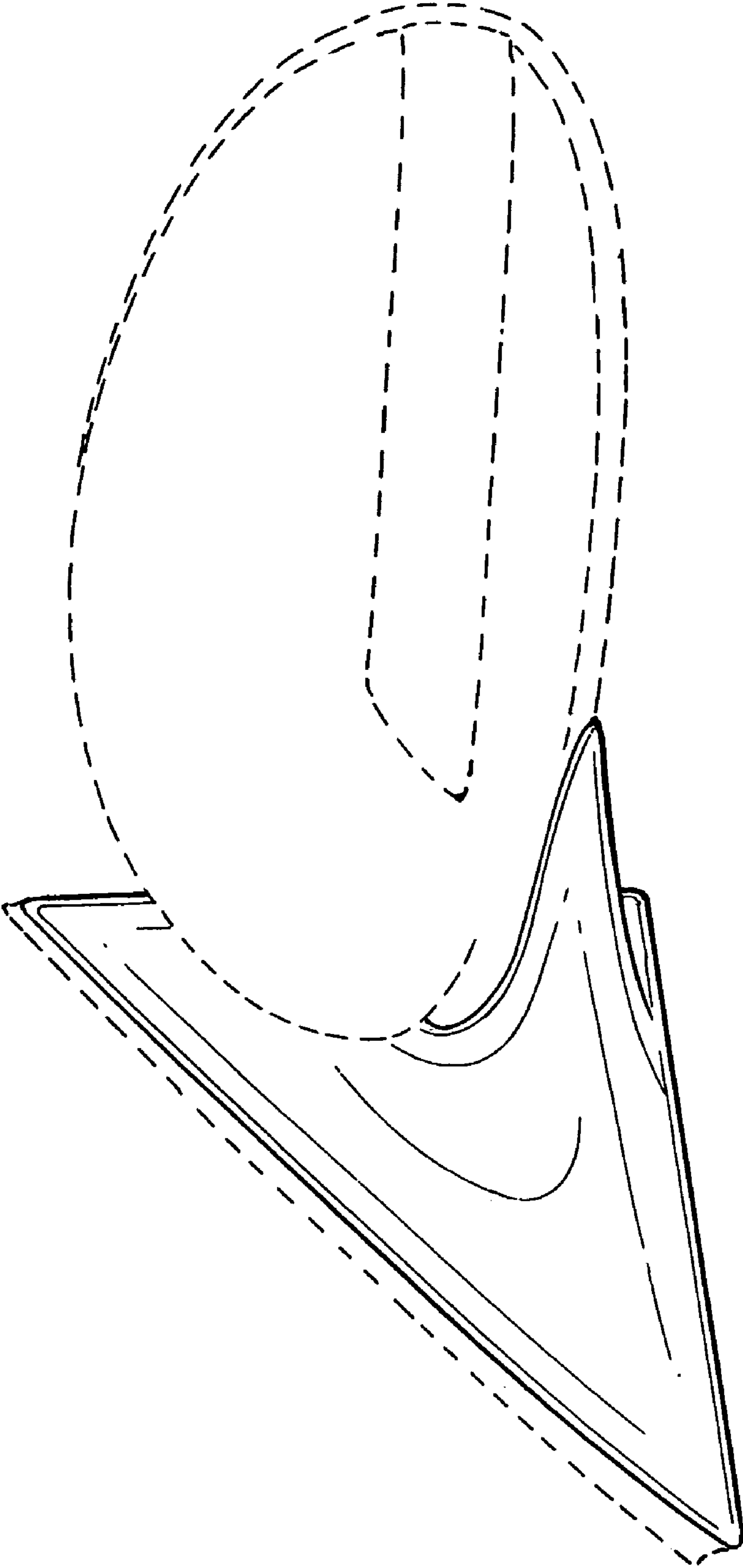


FIG. 13

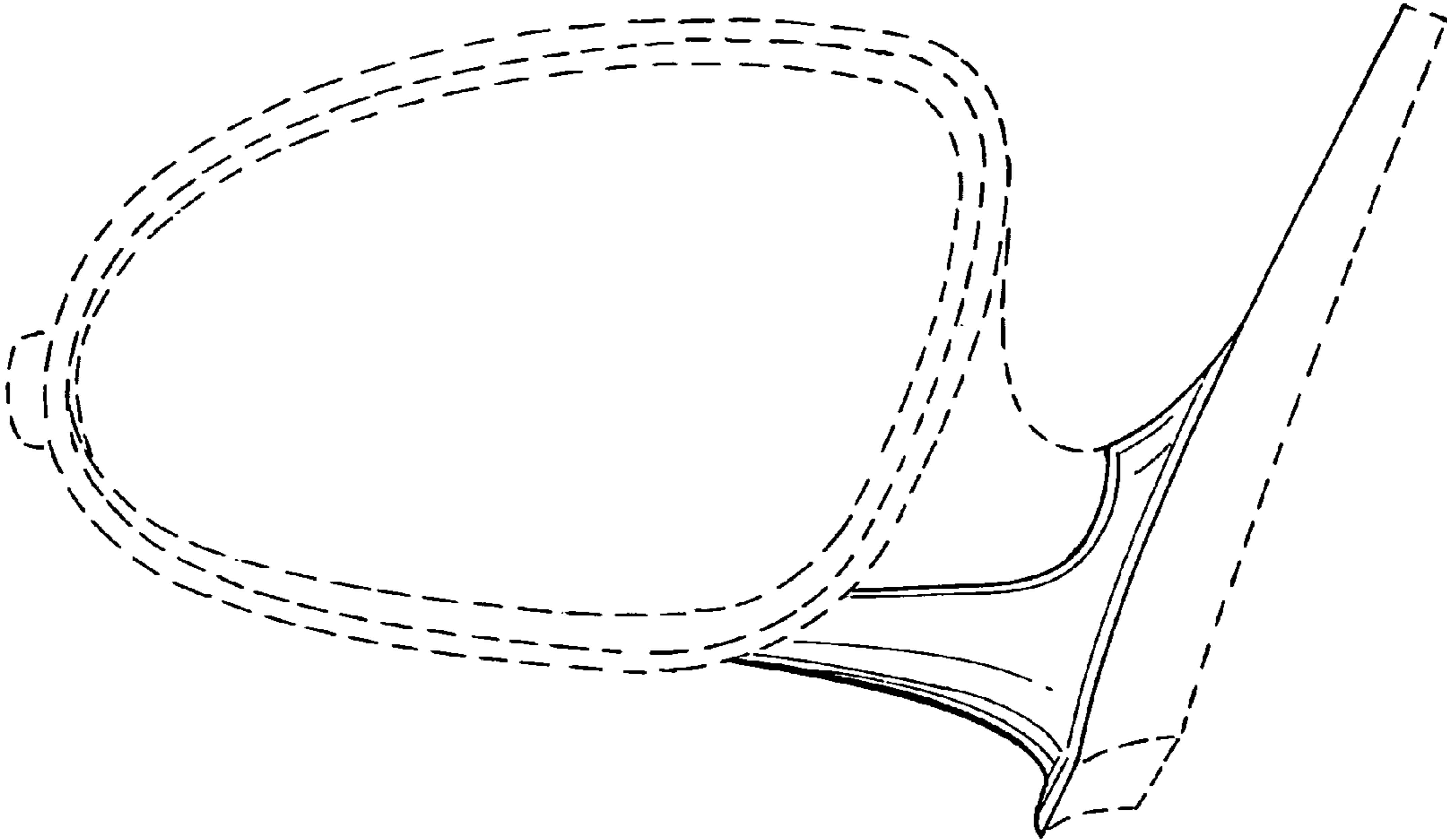


FIG. 14

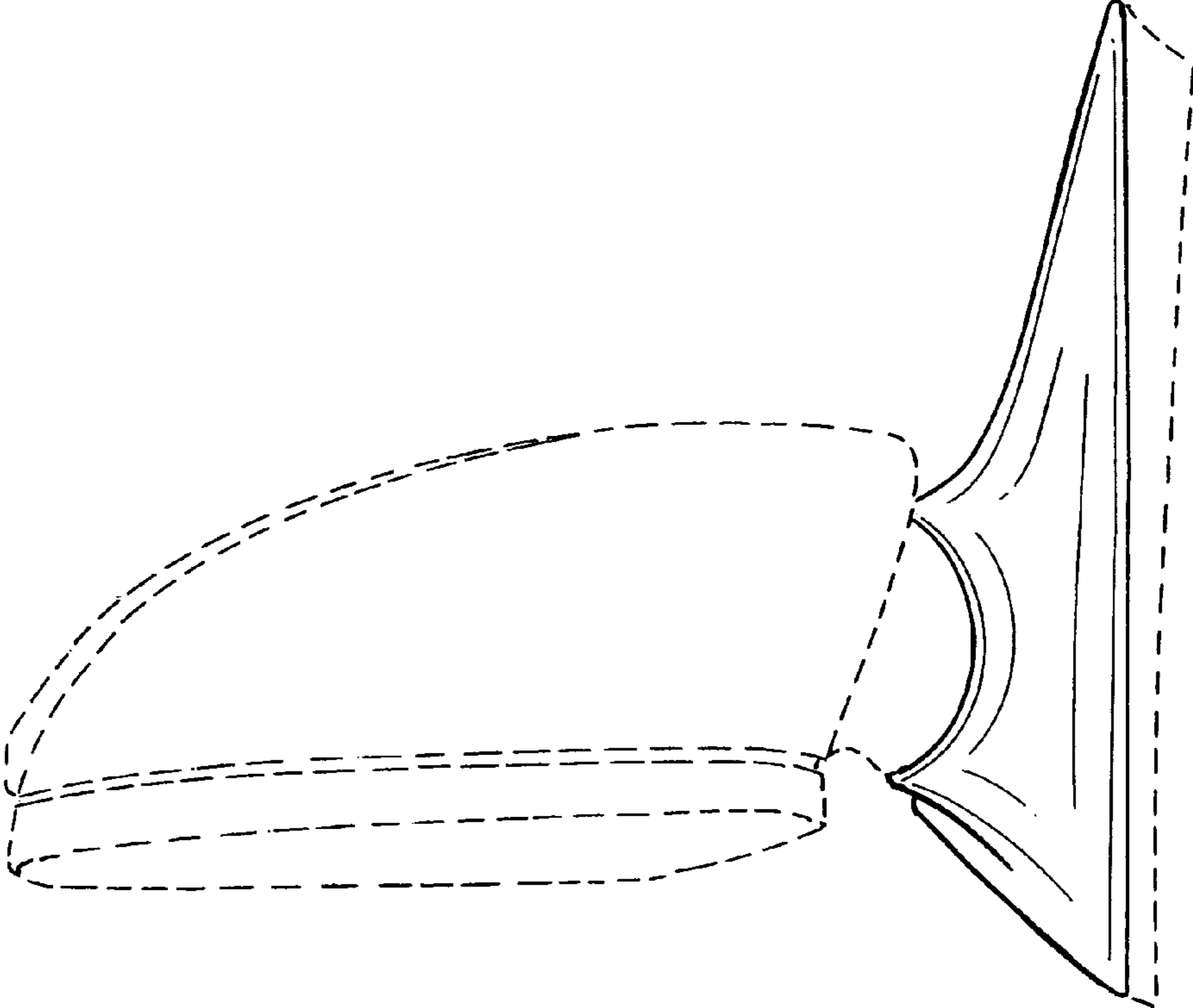


FIG. 15

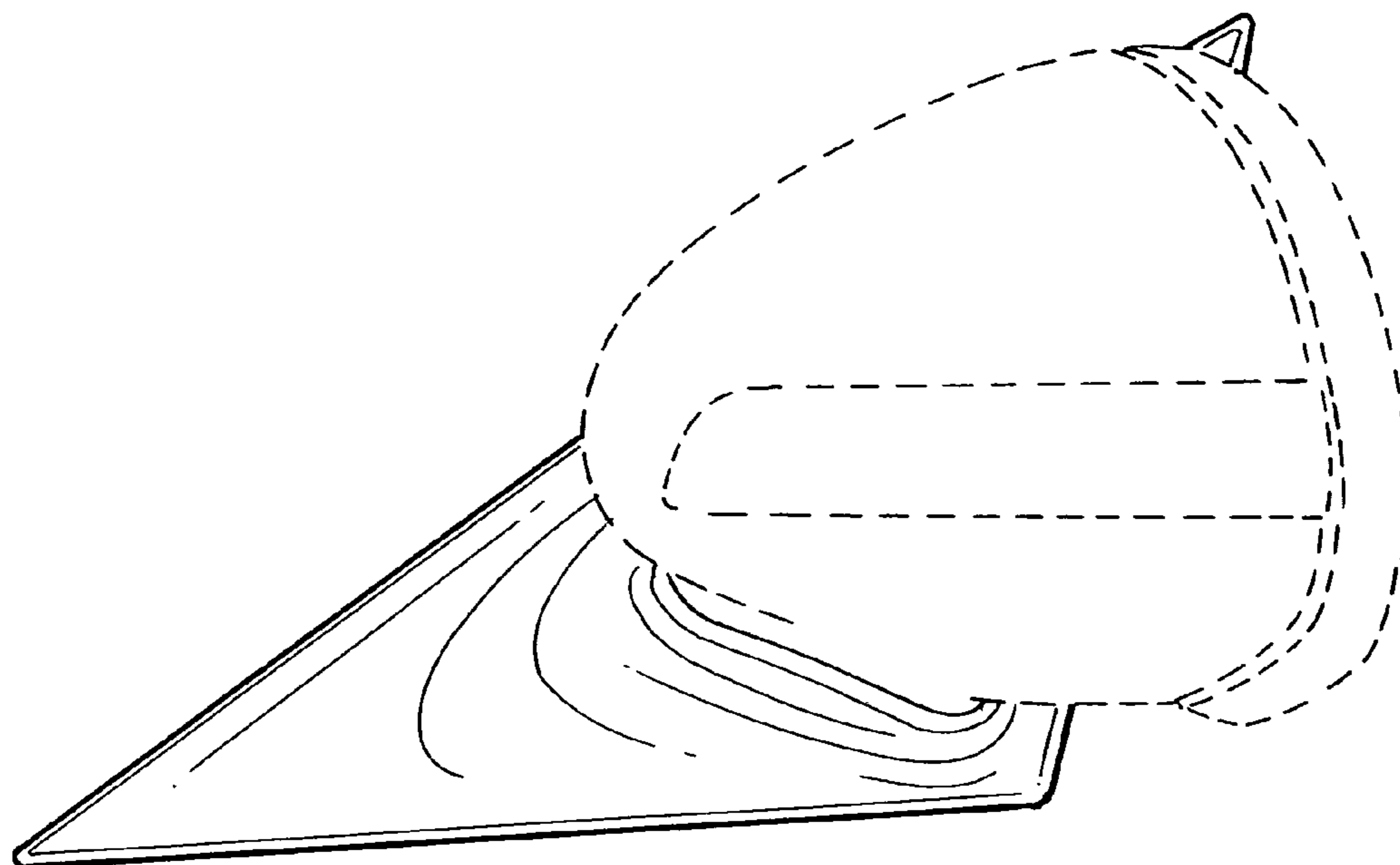


FIG. 16

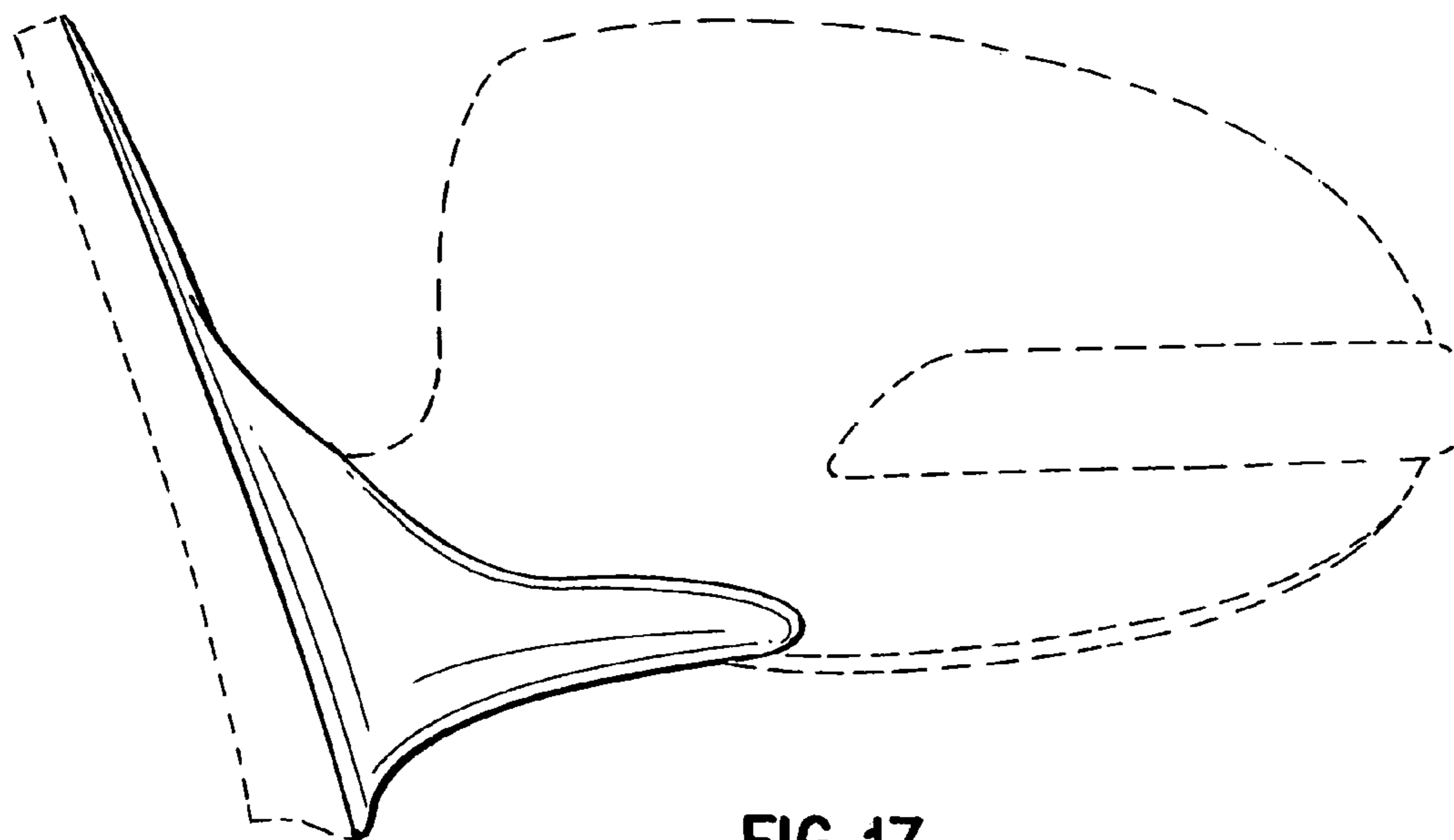


FIG. 17

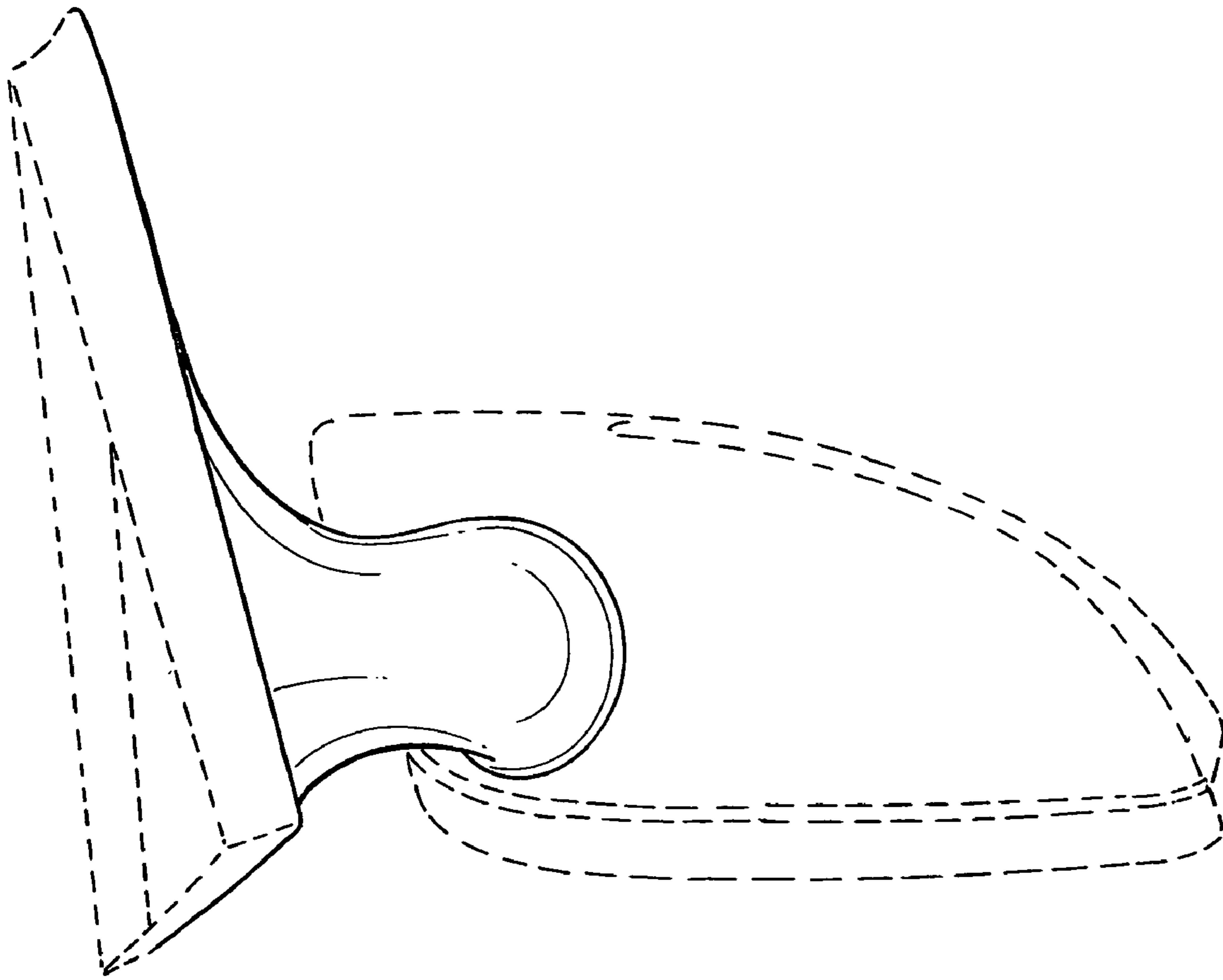


FIG. 18

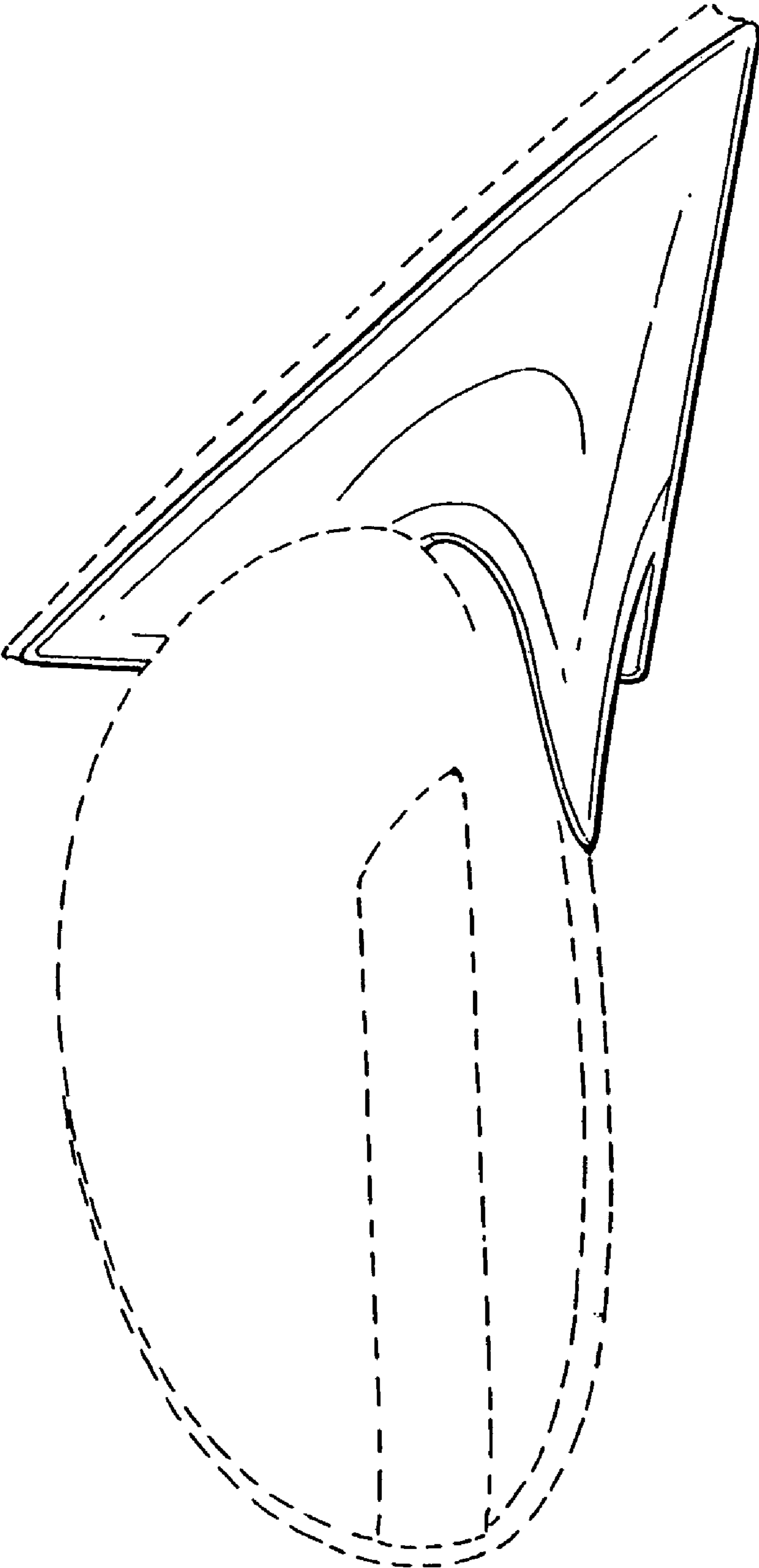


FIG. 19

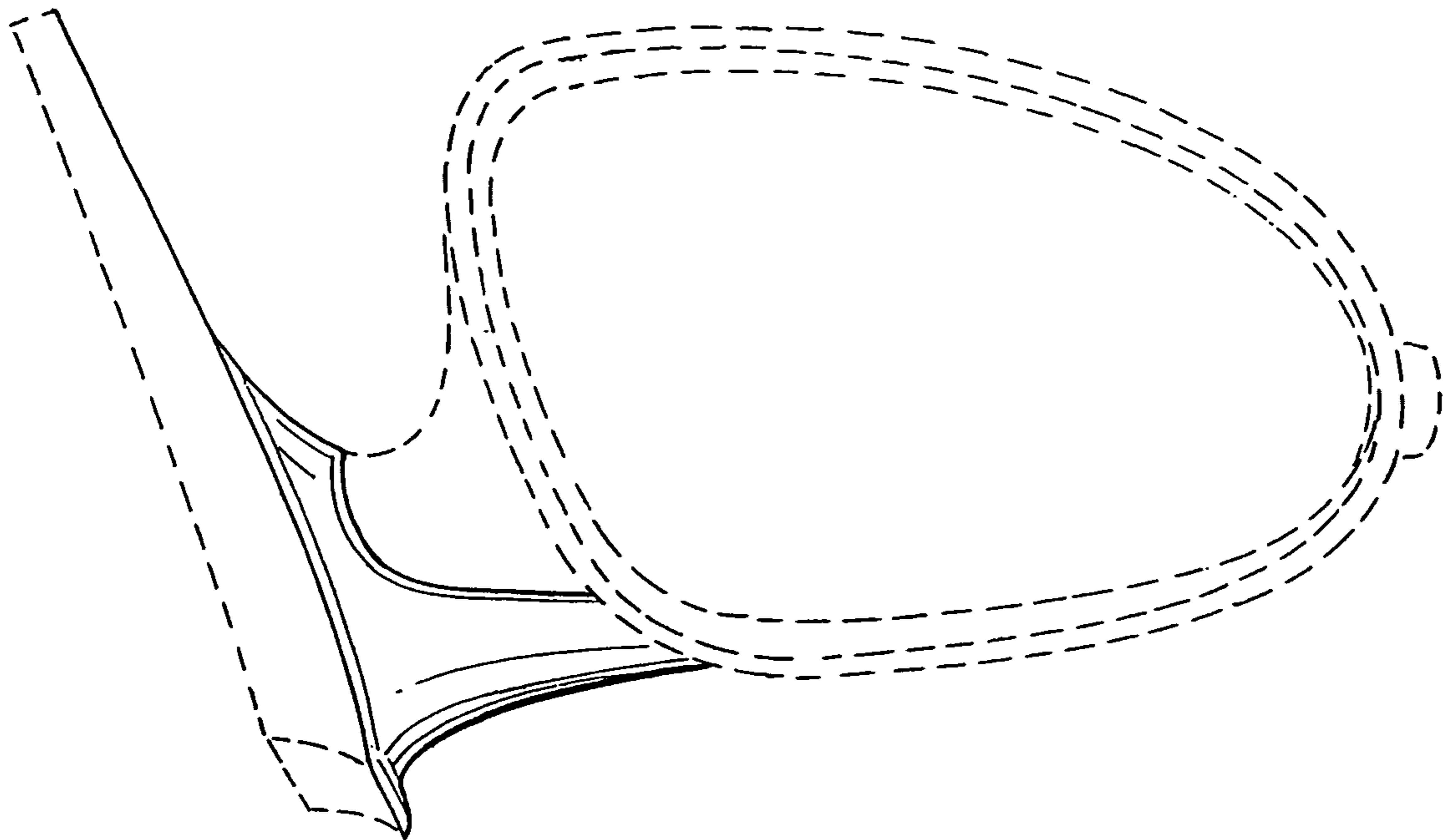


FIG. 20

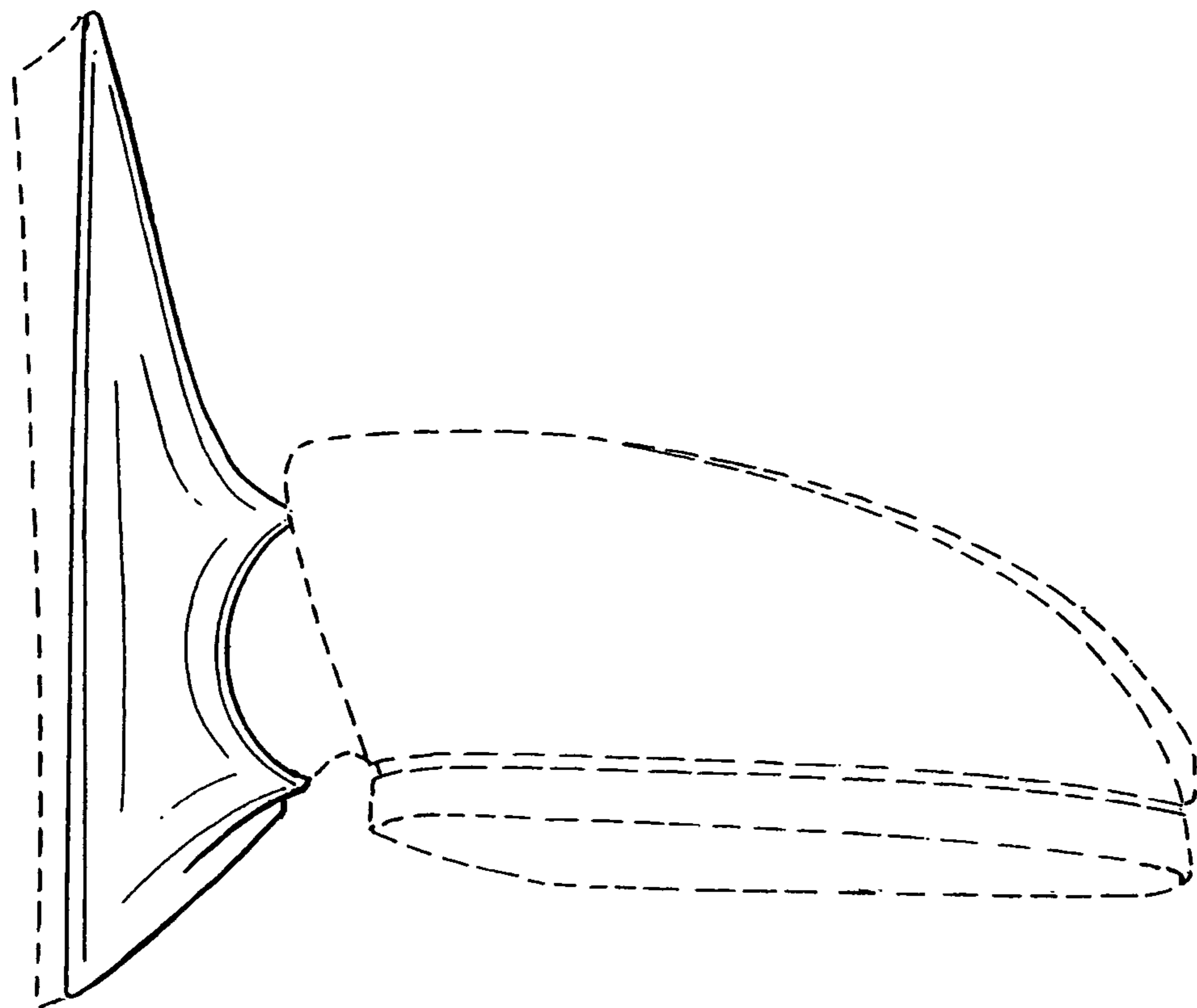


FIG. 21

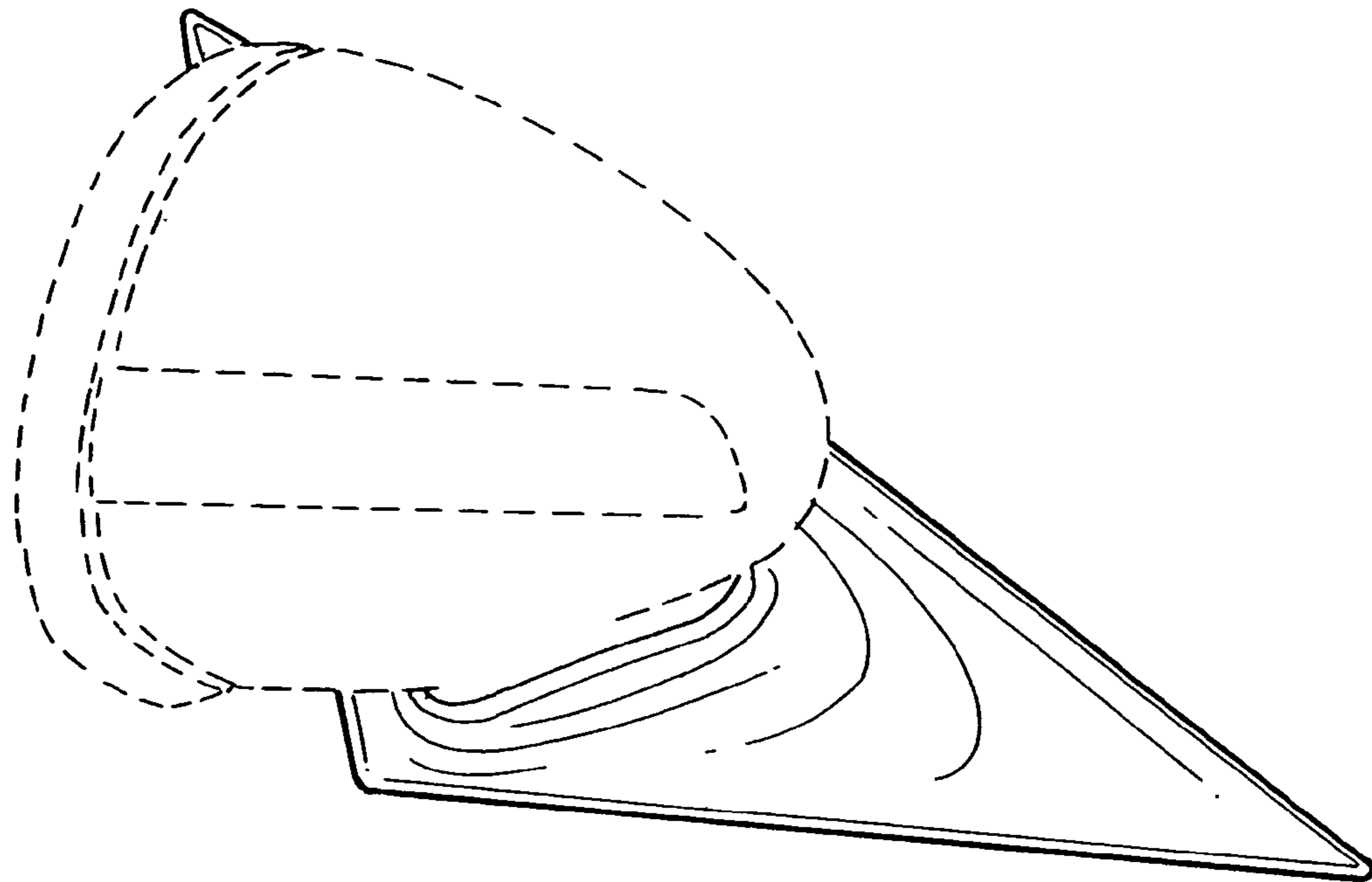


FIG. 22

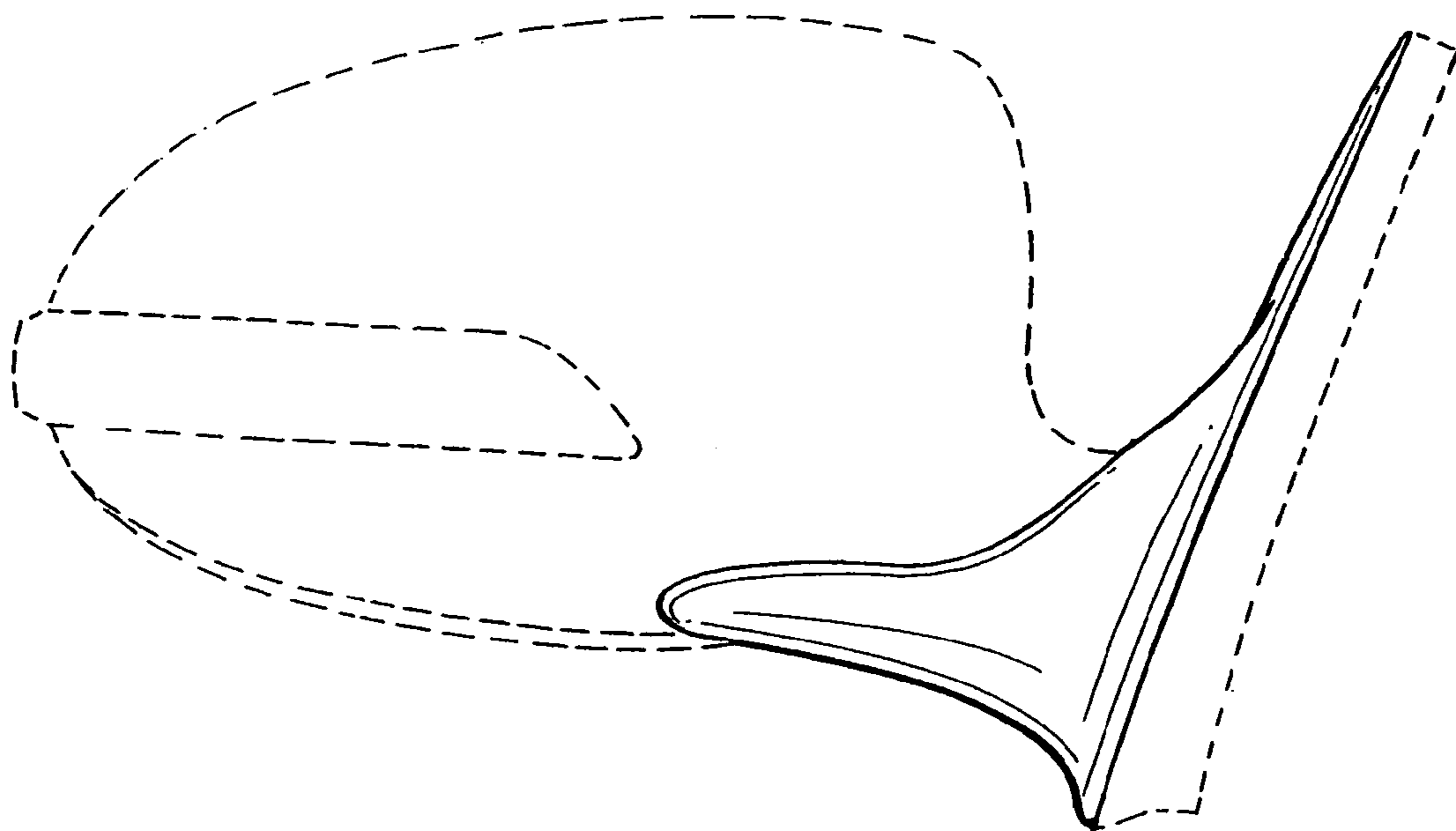


FIG. 23

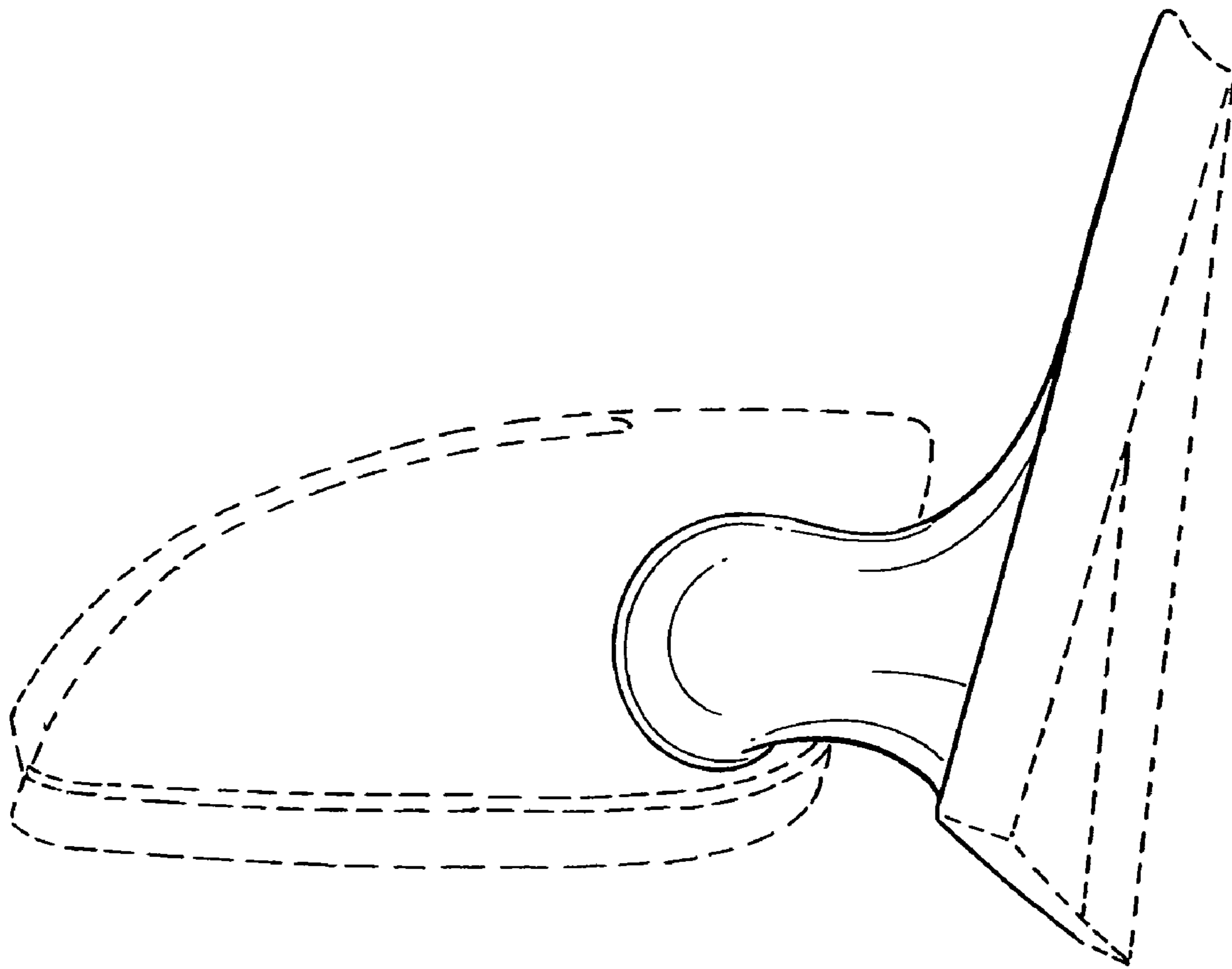


FIG. 24