



US00D551603S

(12) **United States Design Patent**
Manfredini

(10) **Patent No.:** **US D551,603 S**

(45) **Date of Patent:** **** Sep. 25, 2007**

(54) **STEERING WHEEL FOR A CAR AND/OR GAME CONTROLLER**

D536,288 S * 2/2007 Norman et al. D12/176
* cited by examiner

(75) Inventor: **Maurizio Manfredini**, Maranello (IT)

Primary Examiner—Melody N. Brown

(73) Assignee: **Ferrari S.p.A.**, Modena (IT)

(74) *Attorney, Agent, or Firm*—Cowan, Liebowitz & Latman, PC

(**) Term: **14 Years**

(57) **CLAIM**

(21) Appl. No.: **29/263,373**

The ornamental design for a steering wheel for a car and/or game controller, as shown and described.

(22) Filed: **Jul. 21, 2006**

(30) **Foreign Application Priority Data**

DESCRIPTION

Jan. 24, 2006 (EM) 000468392

FIG. 1 is a front view of a steering wheel for a car and/or game controller showing my design thereof;

Jan. 24, 2006 (EM) 000468400

FIG. 2 is a left side view thereof;

(51) **LOC (8) Cl.** **12-16**

FIG. 3 is a right side view thereof;

(52) **U.S. Cl.** **D12/176; D14/218**

FIG. 4 is a bottom view thereof;

(58) **Field of Classification Search** D12/175–177;

FIG. 5 is a top view thereof;

D14/218, 299, 137–139, 191–193; D21/512–517,

FIG. 6 is a rear view thereof;

D21/566; 74/552, 558, 558.5

FIG. 7 is a front view of a second embodiment of the steering wheel for a car and/or game controller showing my design thereof;

See application file for complete search history.

FIG. 8 is a left side view of FIG. 7;

(56) **References Cited**

U.S. PATENT DOCUMENTS

- D392,607 S * 3/1998 Cattaneo D12/176
- D440,915 S * 4/2001 Kagawa et al. D12/176
- D464,595 S * 10/2002 Zorkendorfer et al. D12/176
- D476,607 S * 7/2003 Stern et al. D12/176
- D502,903 S * 3/2005 Hebert et al. D12/176
- D514,485 S * 2/2006 Juraschek et al. D12/176
- D521,426 S * 5/2006 Hoffmann D12/176

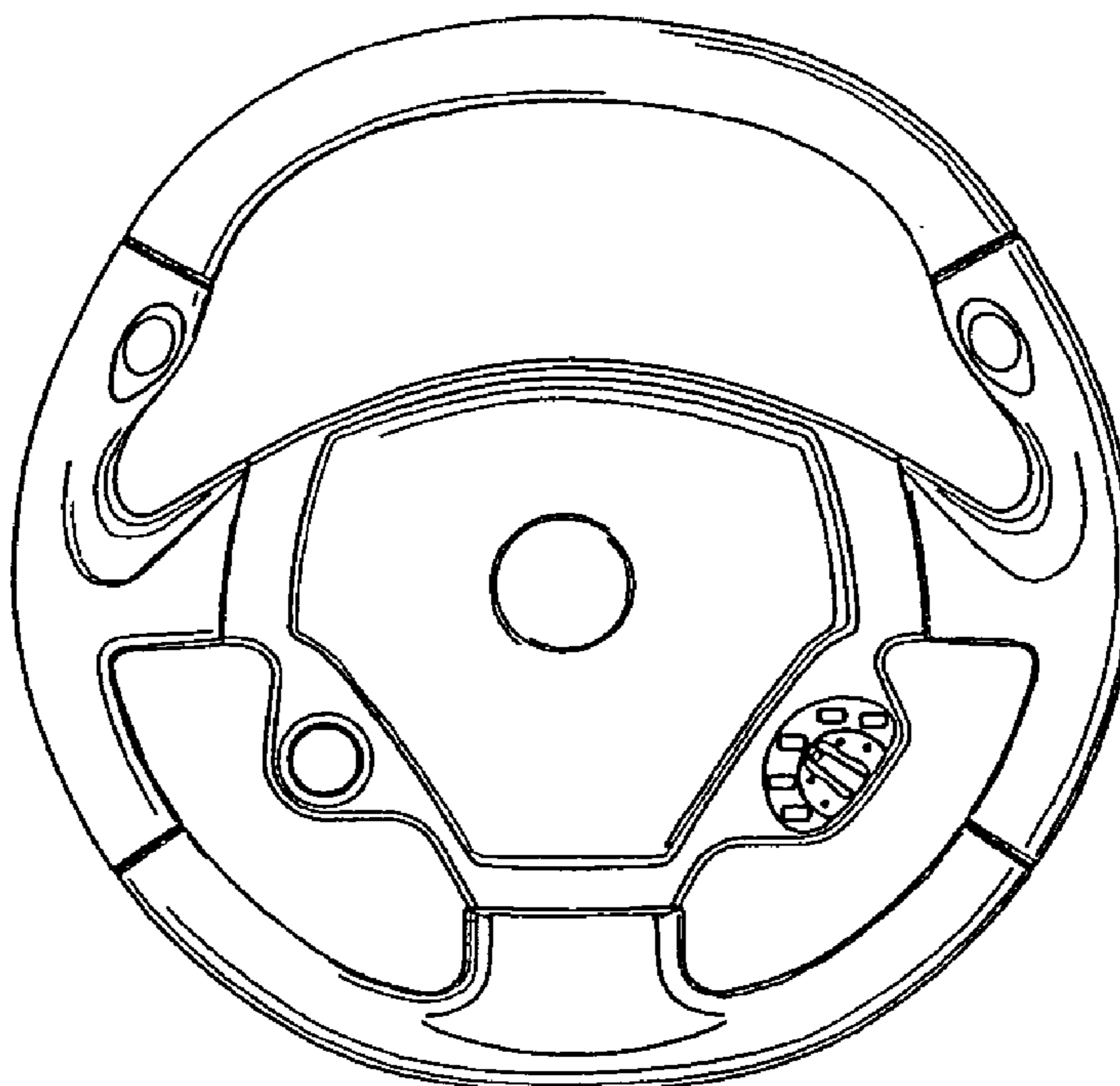
FIG. 9 is a right side view of FIG. 7;

FIG. 10 is a bottom view of FIG. 7;

FIG. 11 is a top view of FIG. 7; and,

FIG. 12 is a rear view of FIG. 7.

1 Claim, 2 Drawing Sheets



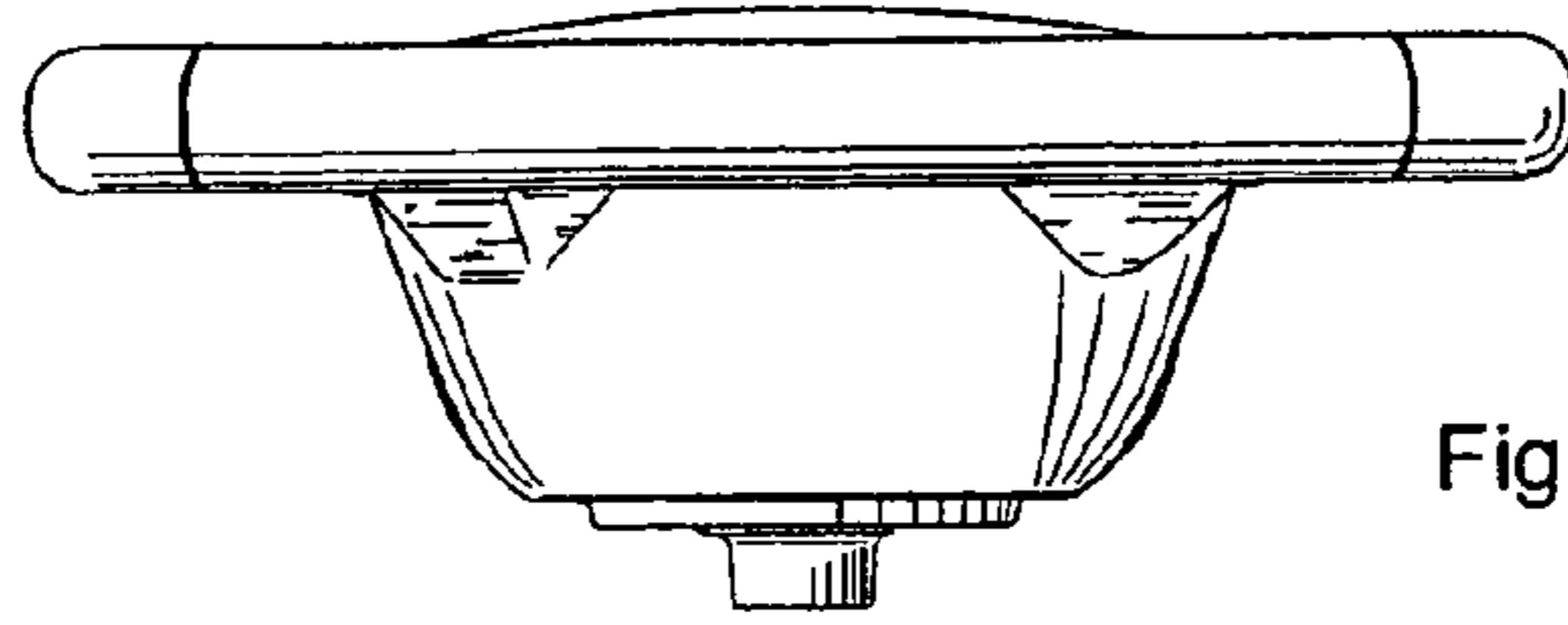


Fig.4

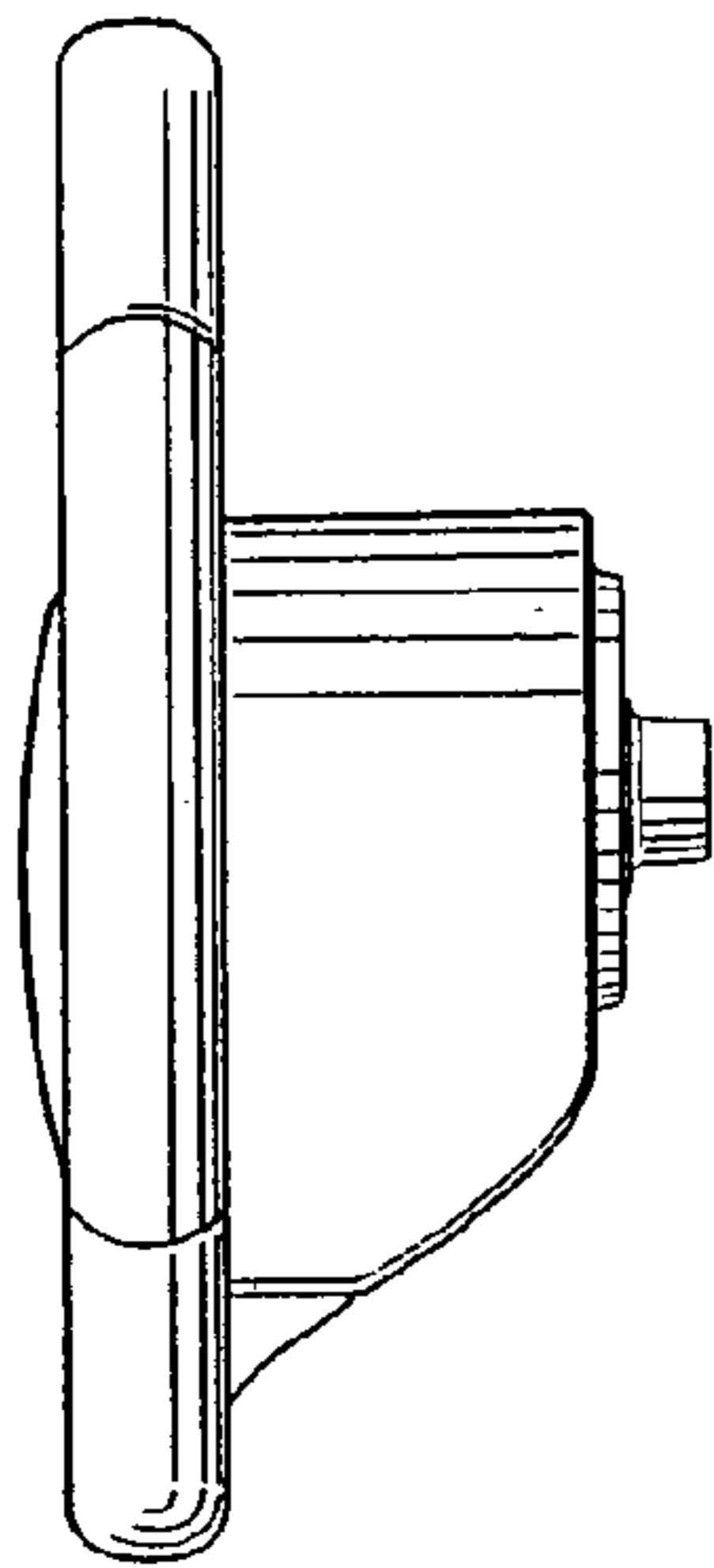


Fig.3

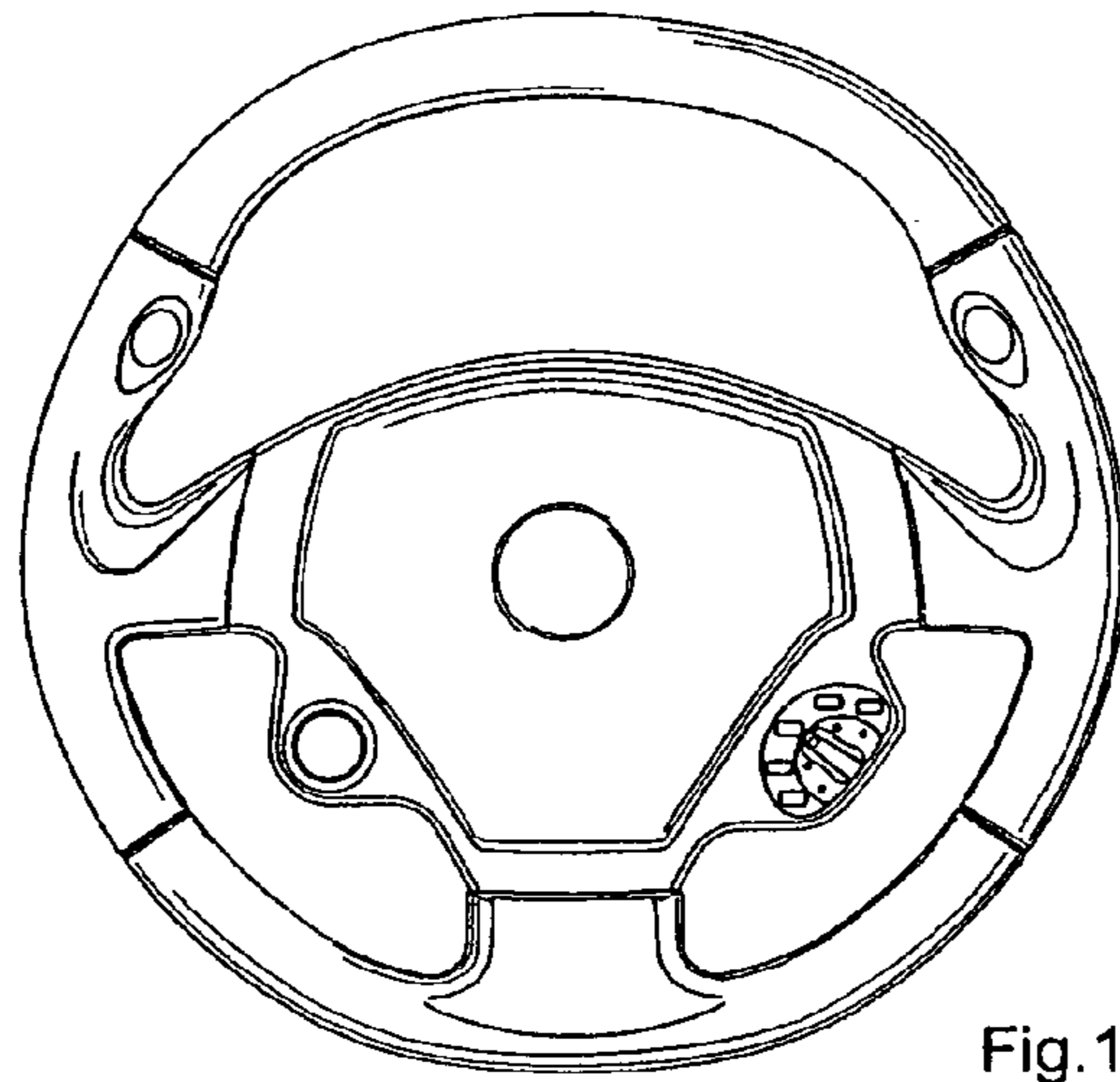


Fig.1

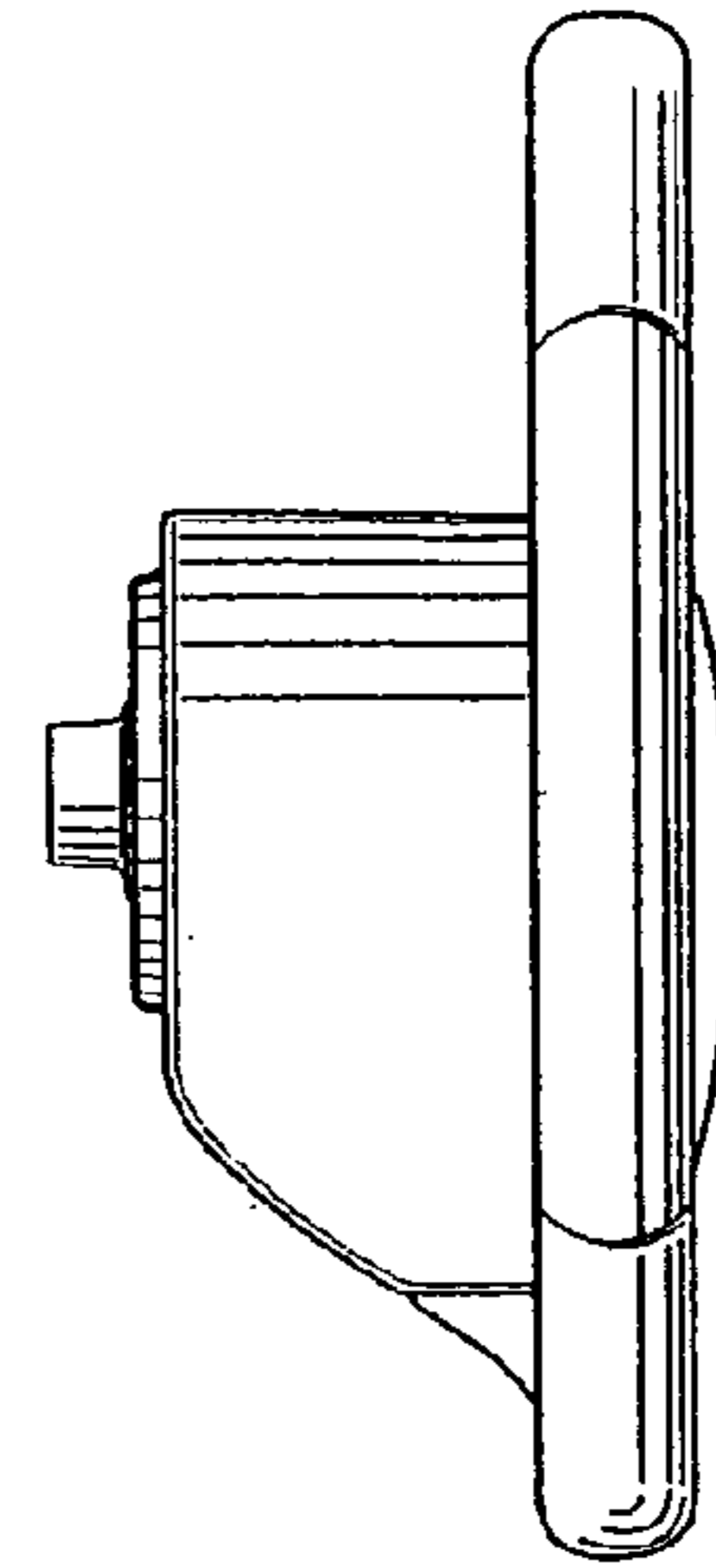


Fig.2

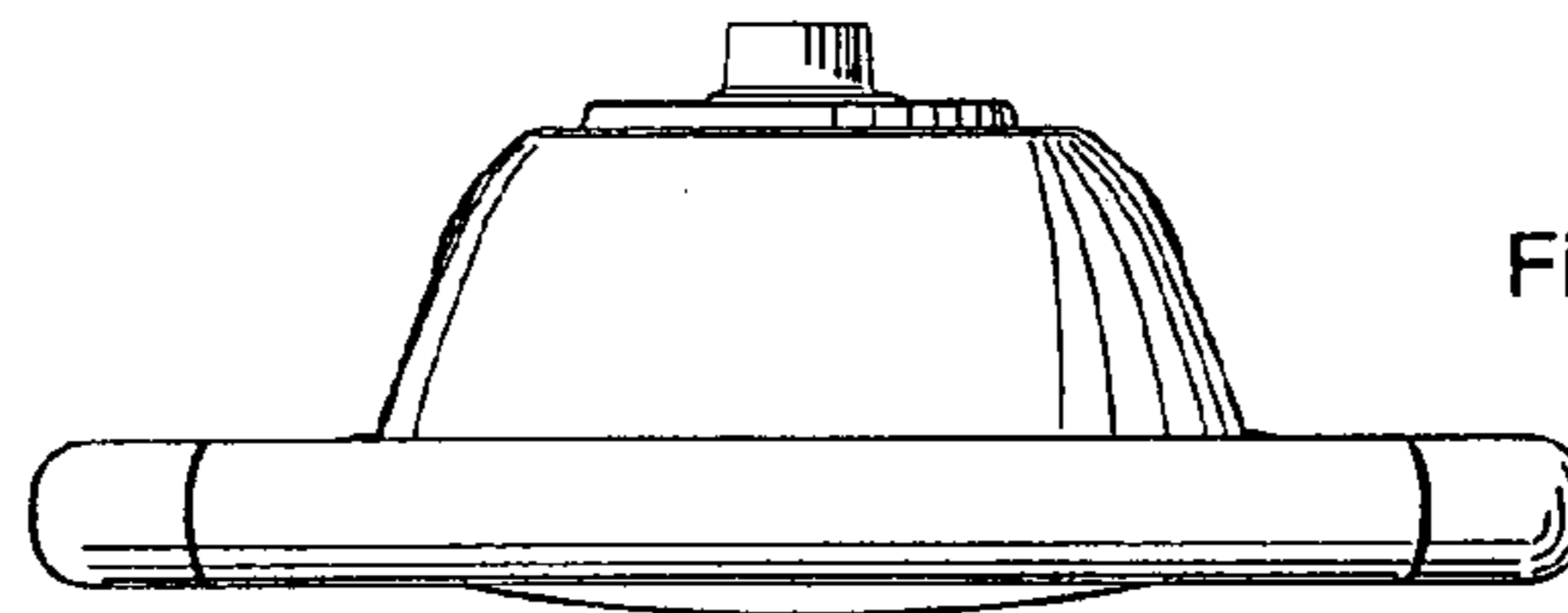


Fig.5

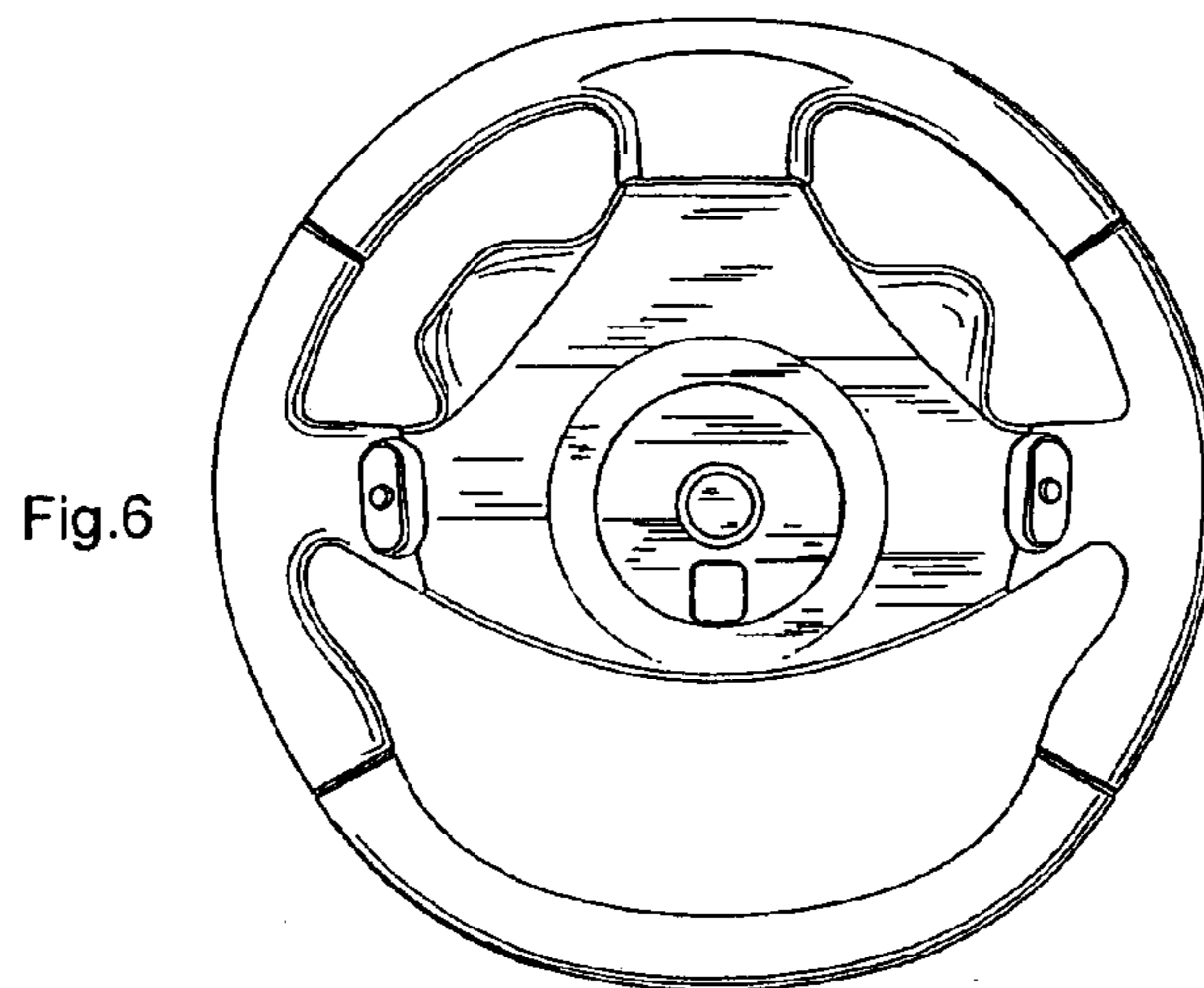


Fig.6

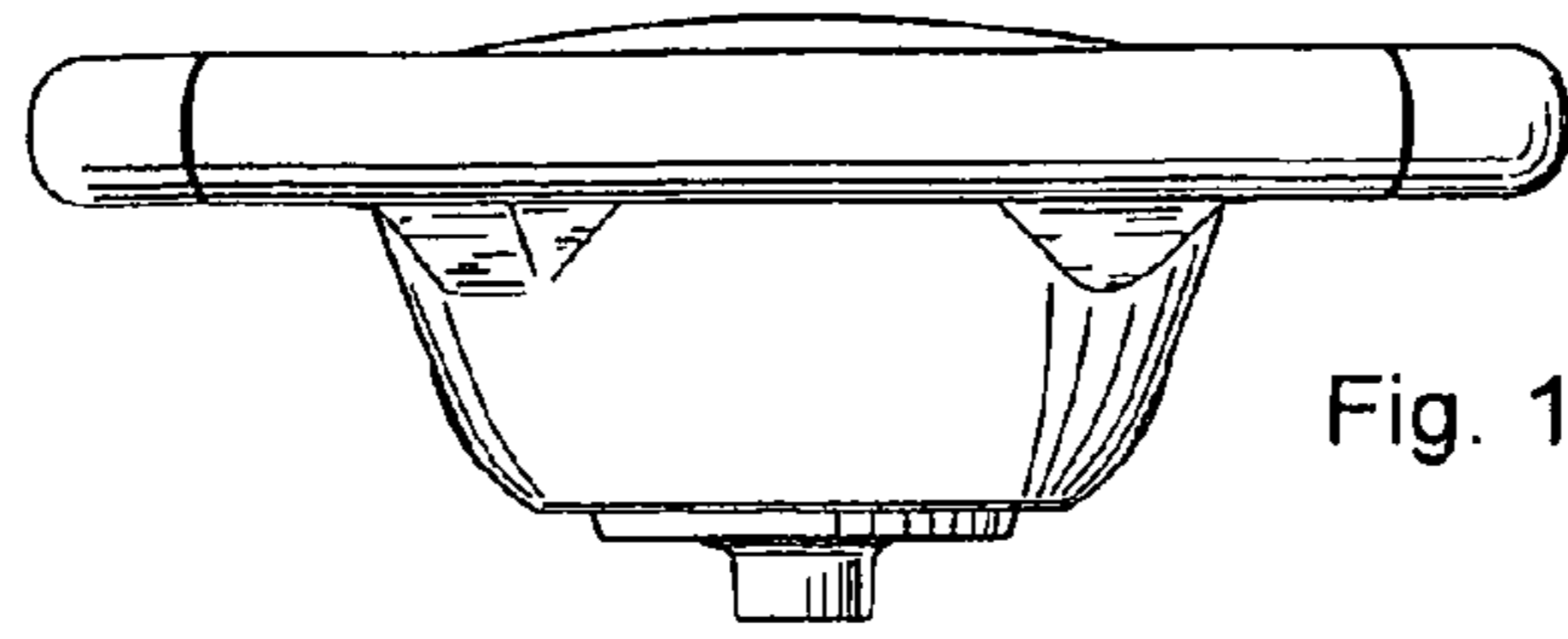


Fig. 10

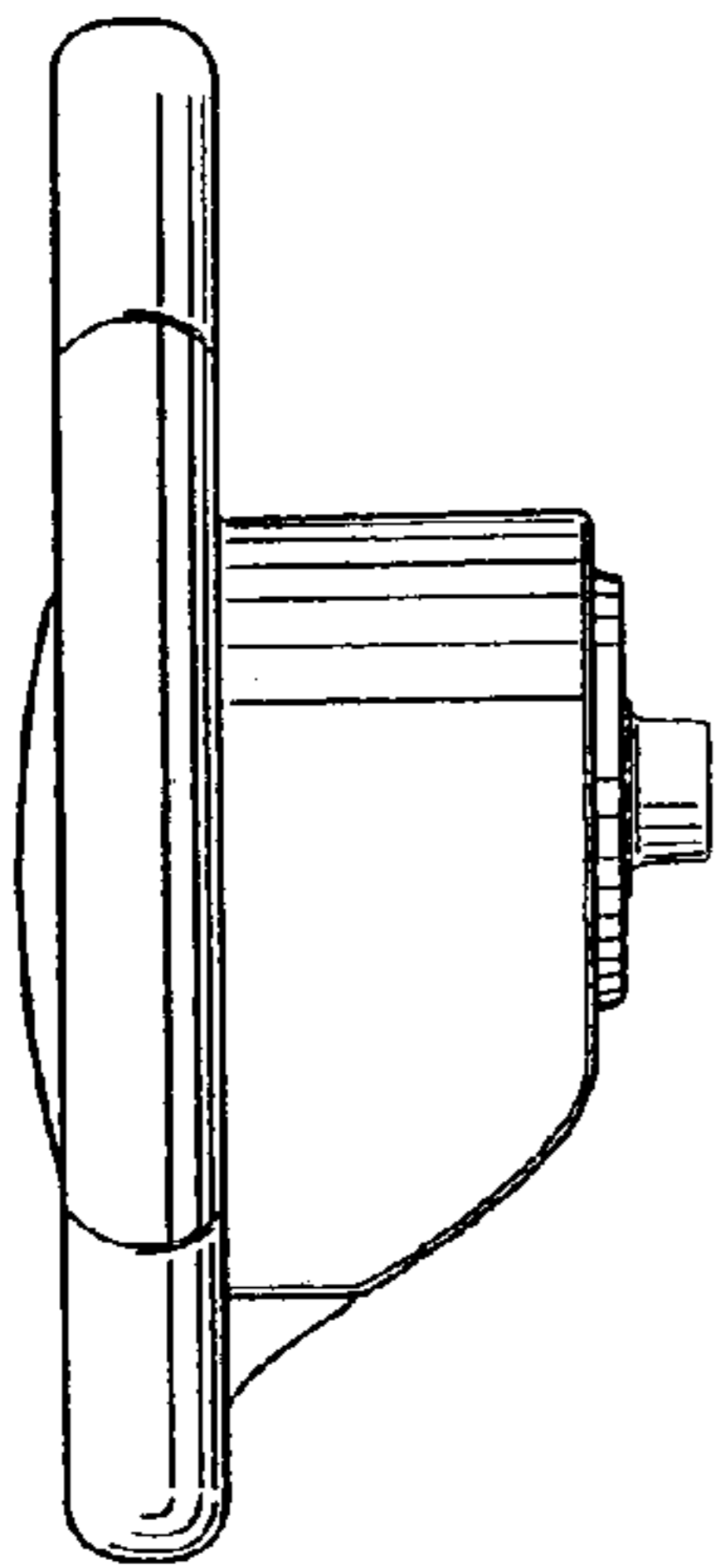


Fig. 9

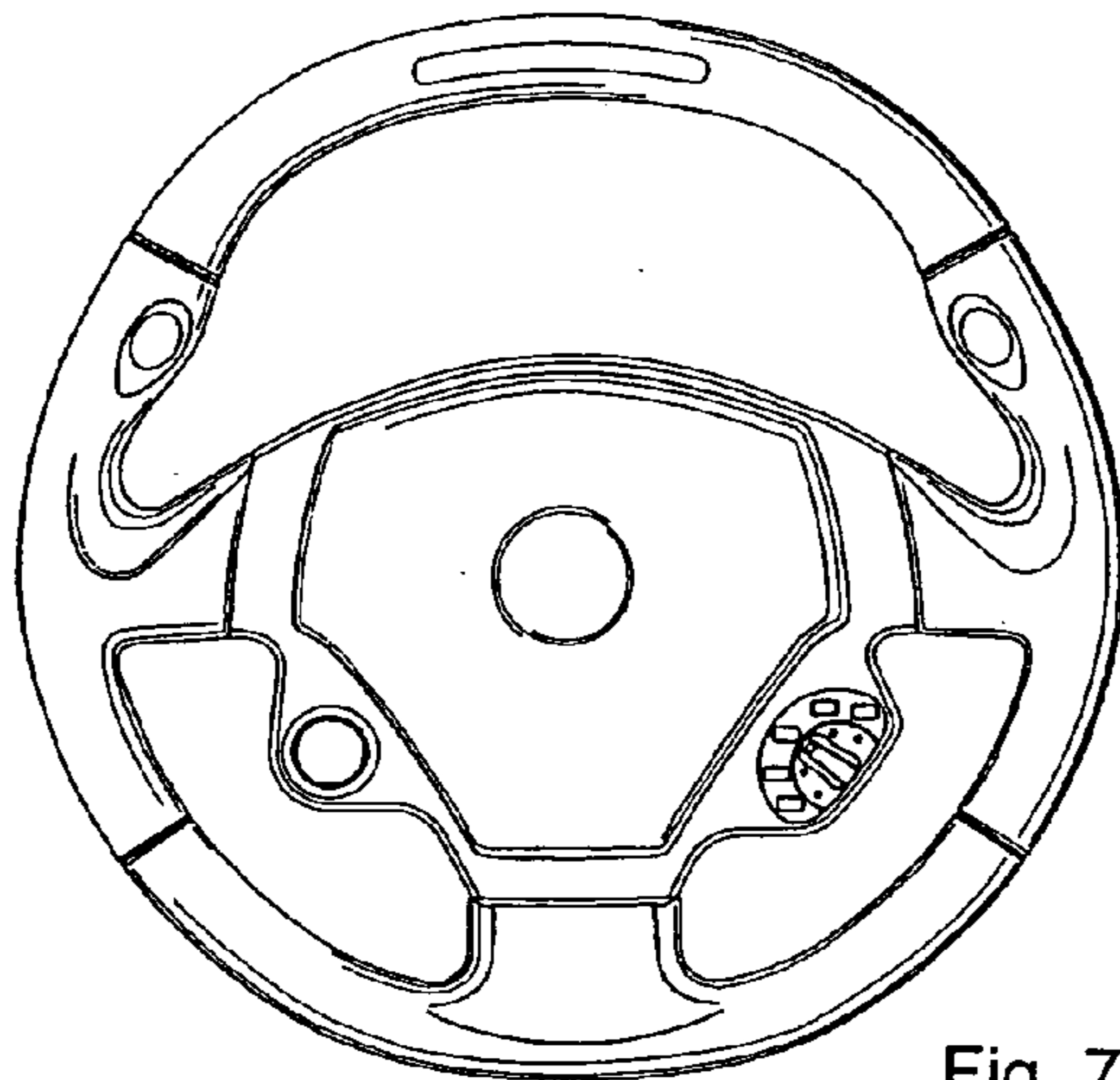


Fig. 7

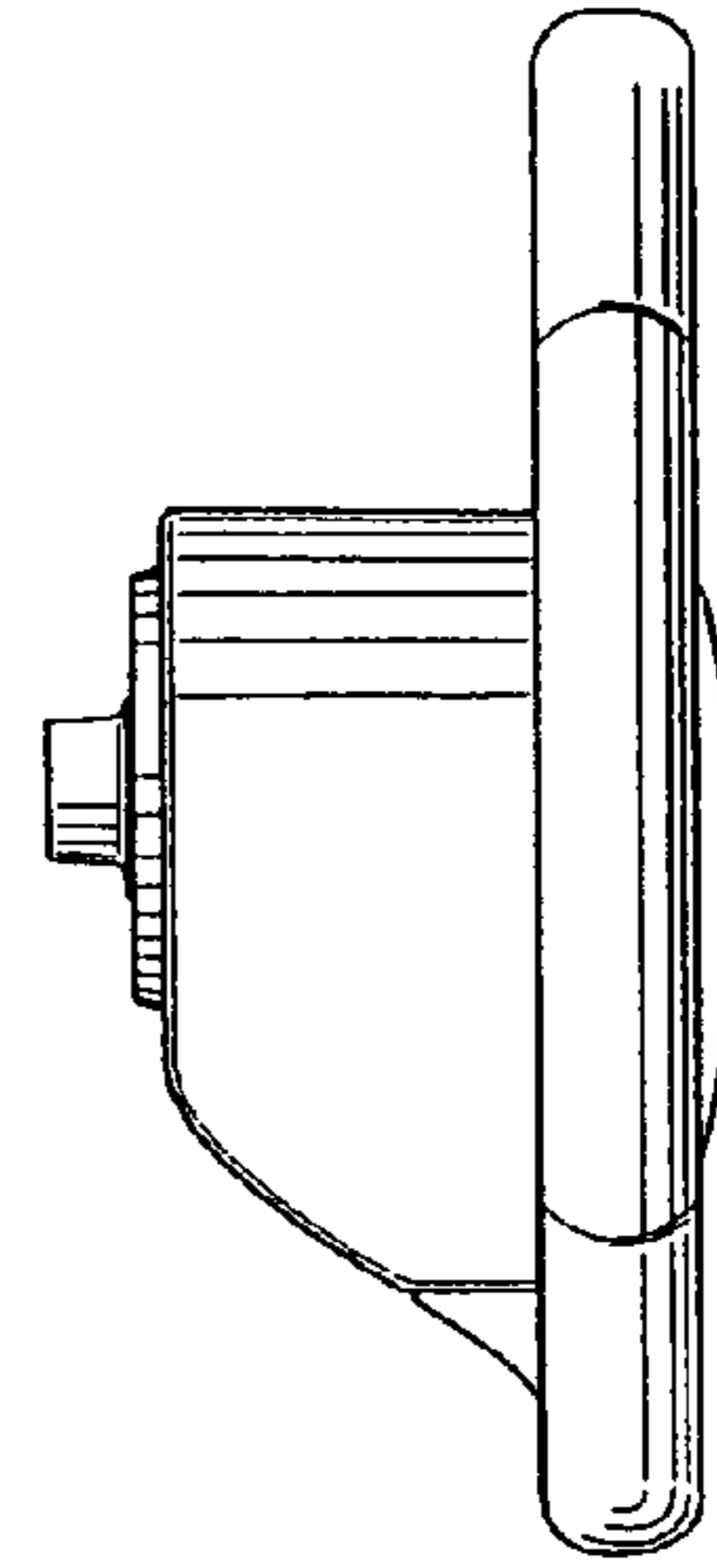


Fig. 8

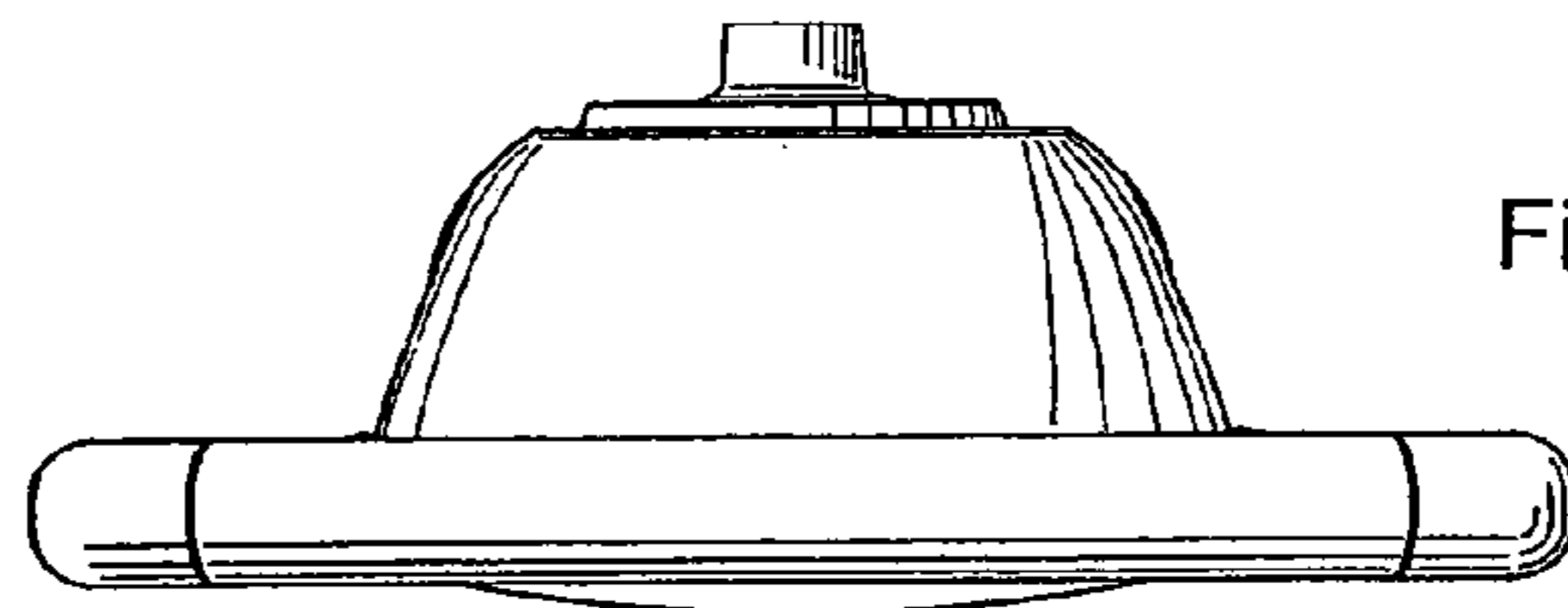


Fig. 11

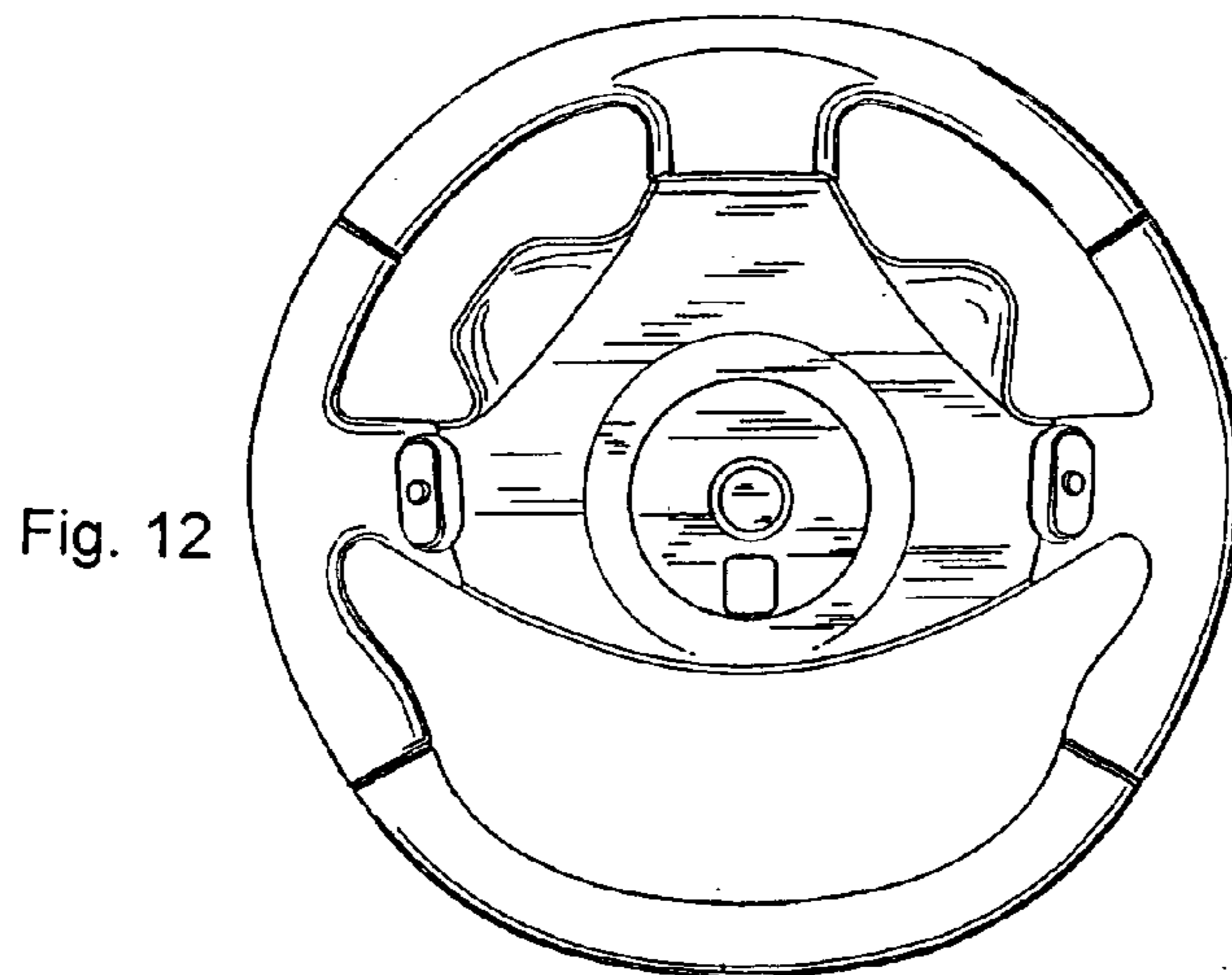


Fig. 12