



US00D551592S

(12) **United States Design Patent**
Chang et al.

(10) **Patent No.: US D551,592 S**

(45) **Date of Patent: ** Sep. 25, 2007**

(54) **HUMAN TRANSPORTER**

D528,468 S 9/2006 Arling et al. D12/1
2005/0134014 A1 6/2005 Xie

(75) Inventors: **Shih-Tao Chang**, Lawrence, MA (US);
Scott Waters, Hollis, NH (US)

FOREIGN PATENT DOCUMENTS

(73) Assignee: **Segway Inc.**, Bedford, NH (US)

EP 000323332-0001 6/2005
EP 000323332-0002 6/2005
EP 000323332-0003 6/2005

(**) Term: **14 Years**

* cited by examiner

(21) Appl. No.: **29/262,412**

Primary Examiner—Louis S. Zarfes

(22) Filed: **Jun. 30, 2006**

Assistant Examiner—Anna Dworzecka

(51) **LOC (8) Cl.** **08-14**

(74) *Attorney, Agent, or Firm*—Proskauer Rose LLP

(52) **U.S. Cl.** **D12/1**

(57) **CLAIM**

(58) **Field of Classification Search** D12/85,
D12/1, 174, 178–181; 280/93.502, 229, 226;
180/21, 8.2, 5.26, 6.5, 7.1, 65.8, 907
See application file for complete search history.

The ornamental design for a human transporter, as shown and described.

DESCRIPTION

(56) **References Cited**

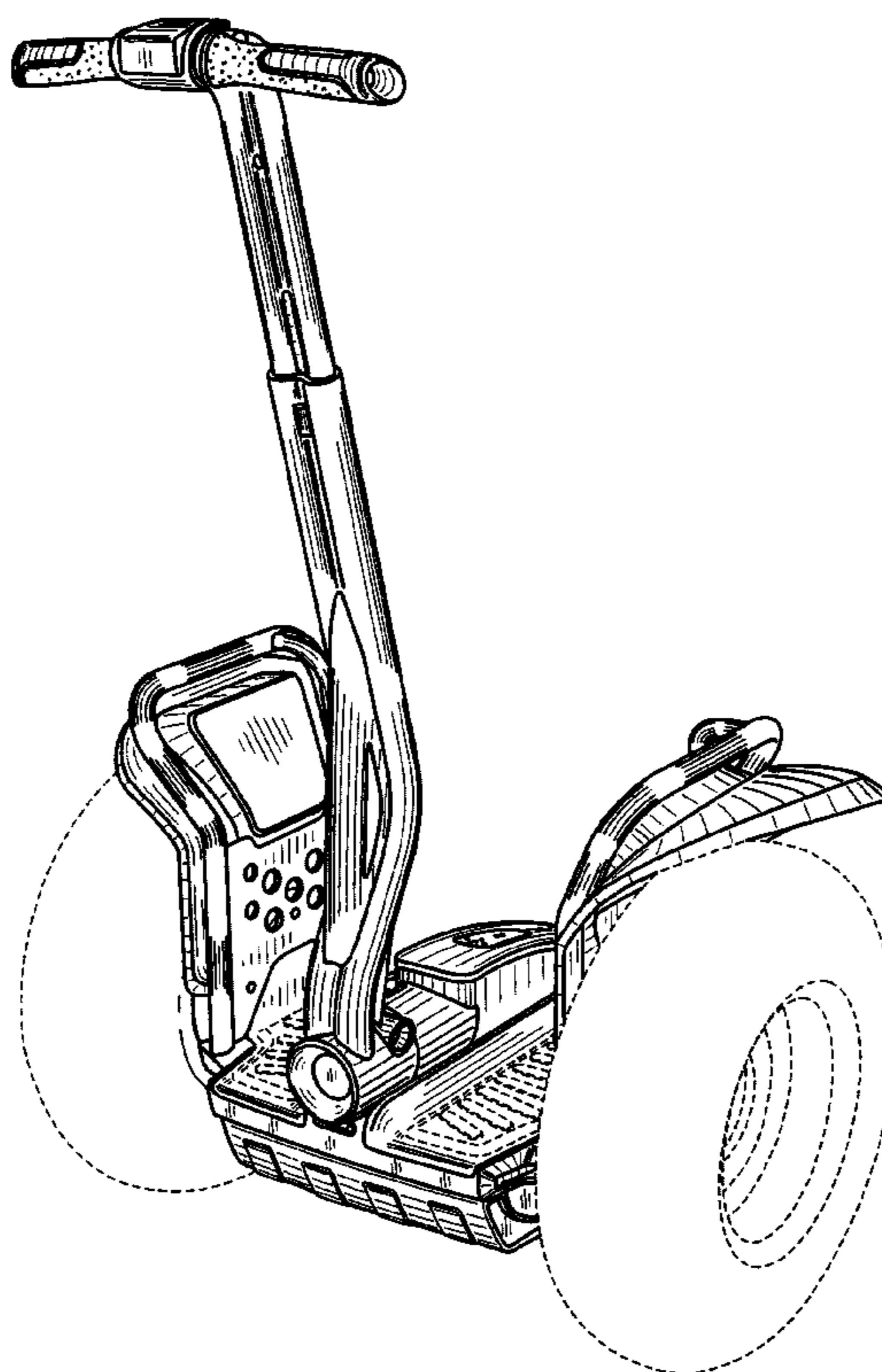
FIG. 1 shows a front perspective view of a human transporter showing our new design;
FIG. 2 is a front plan view thereof;
FIG. 3 is a top view thereof;
FIG. 4 is a rear plan view thereof;
FIG. 5 is a left side view thereof;
FIG. 6 is a bottom plan view thereof; and,
FIG. 7 is a right side view thereof.

U.S. PATENT DOCUMENTS

The broken line shown in FIGS. 1–7 are for illustrative purposes only and forms no part of the claimed design.

D355,148 S	2/1995	Orsolini	D12/85
6,561,294 B1	5/2003	Kamen et al.	180/21
D489,027 S	4/2004	Waters	D12/174
D489,029 S	4/2004	Waters	D12/186
D489,300 S	5/2004	Chang et al.	D12/186
D493,127 S	7/2004	Waters et al.	D12/174
D493,128 S	7/2004	Waters et al.	D12/174
D494,099 S	8/2004	Maurer et al.	D12/1
6,907,949 B1 *	6/2005	Wang	180/65.5
D507,206 S	7/2005	Wang	D12/1

1 Claim, 3 Drawing Sheets



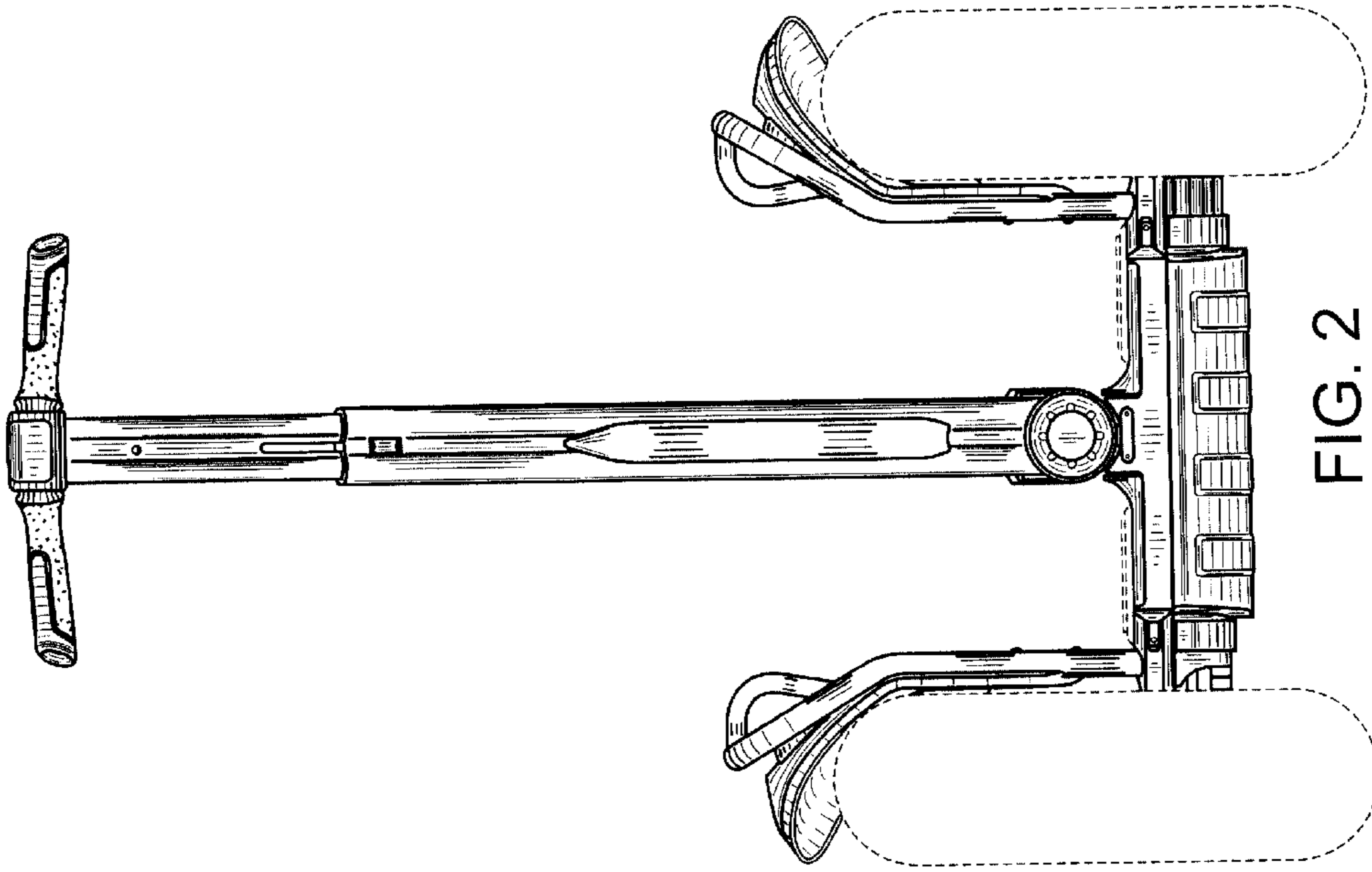


FIG. 2

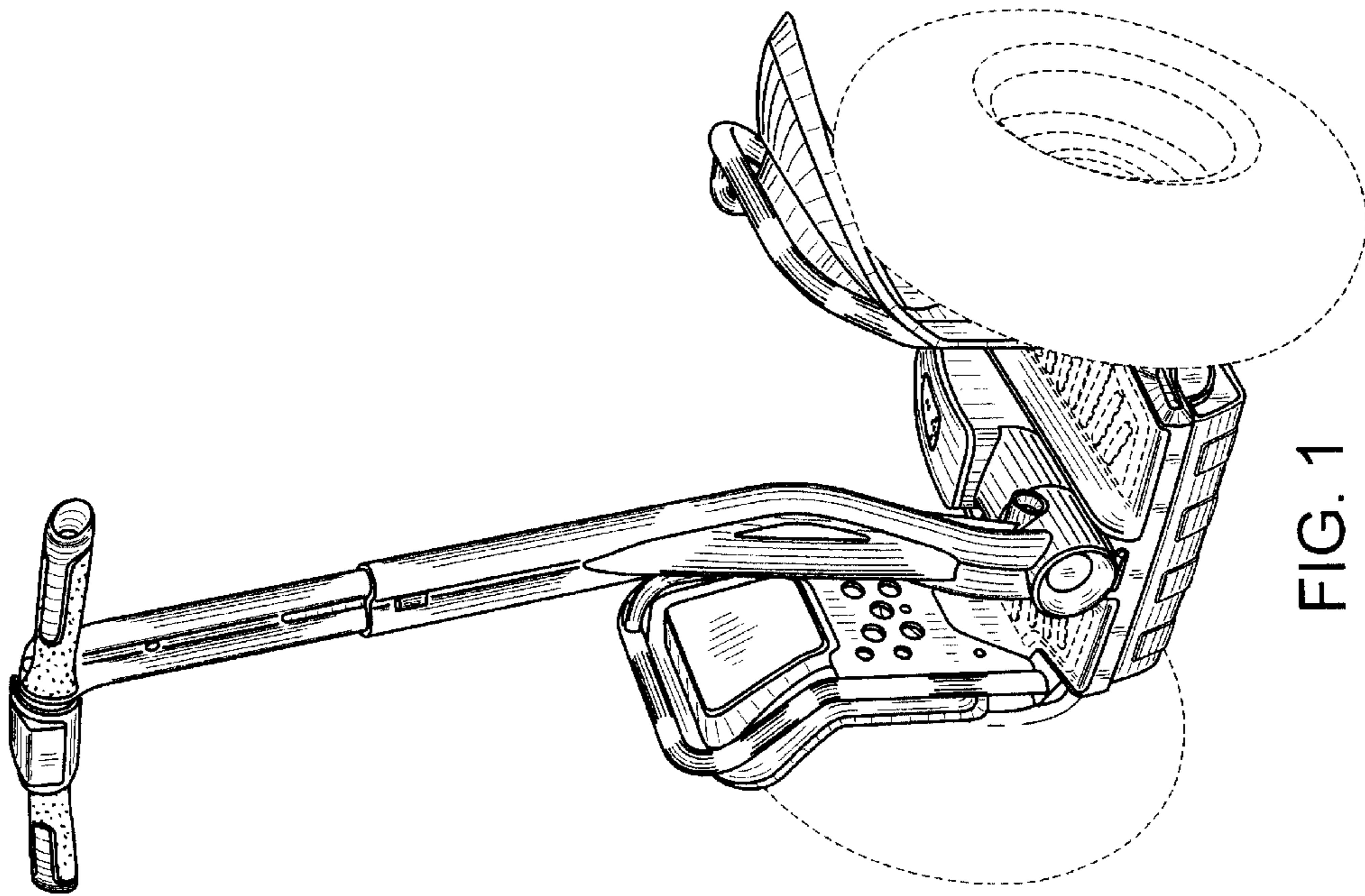


FIG. 1

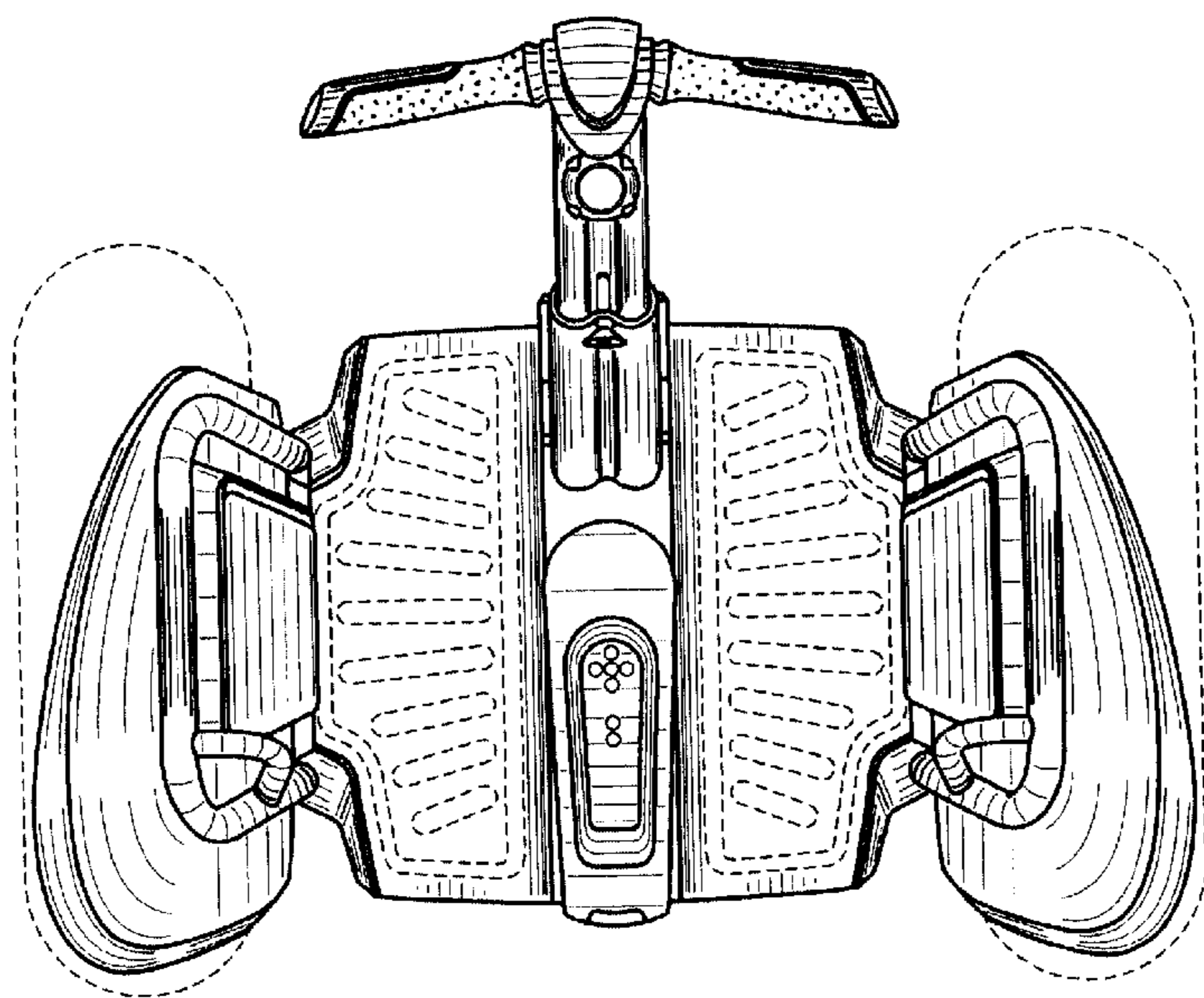


FIG. 3

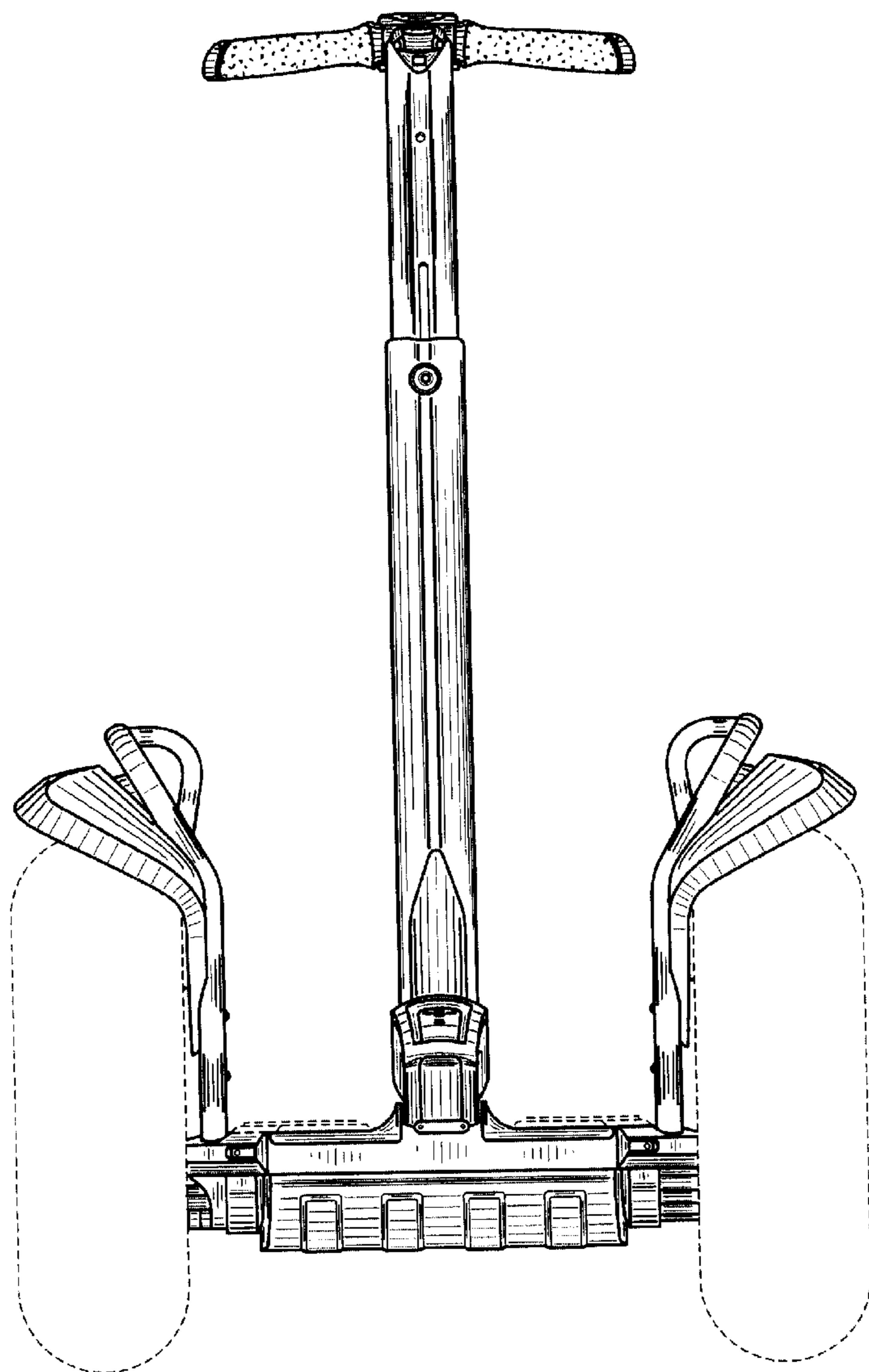


FIG. 4

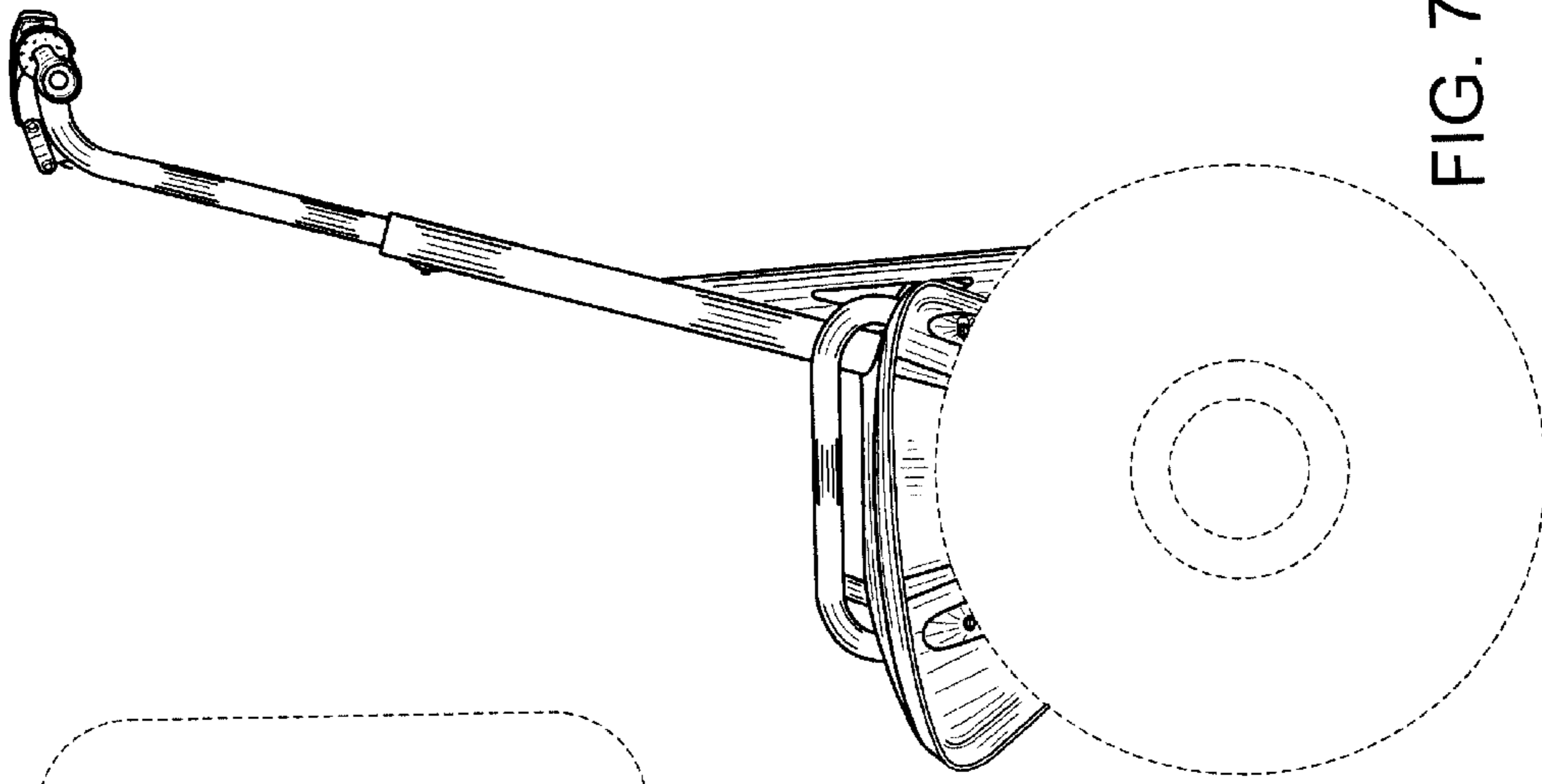


FIG. 7

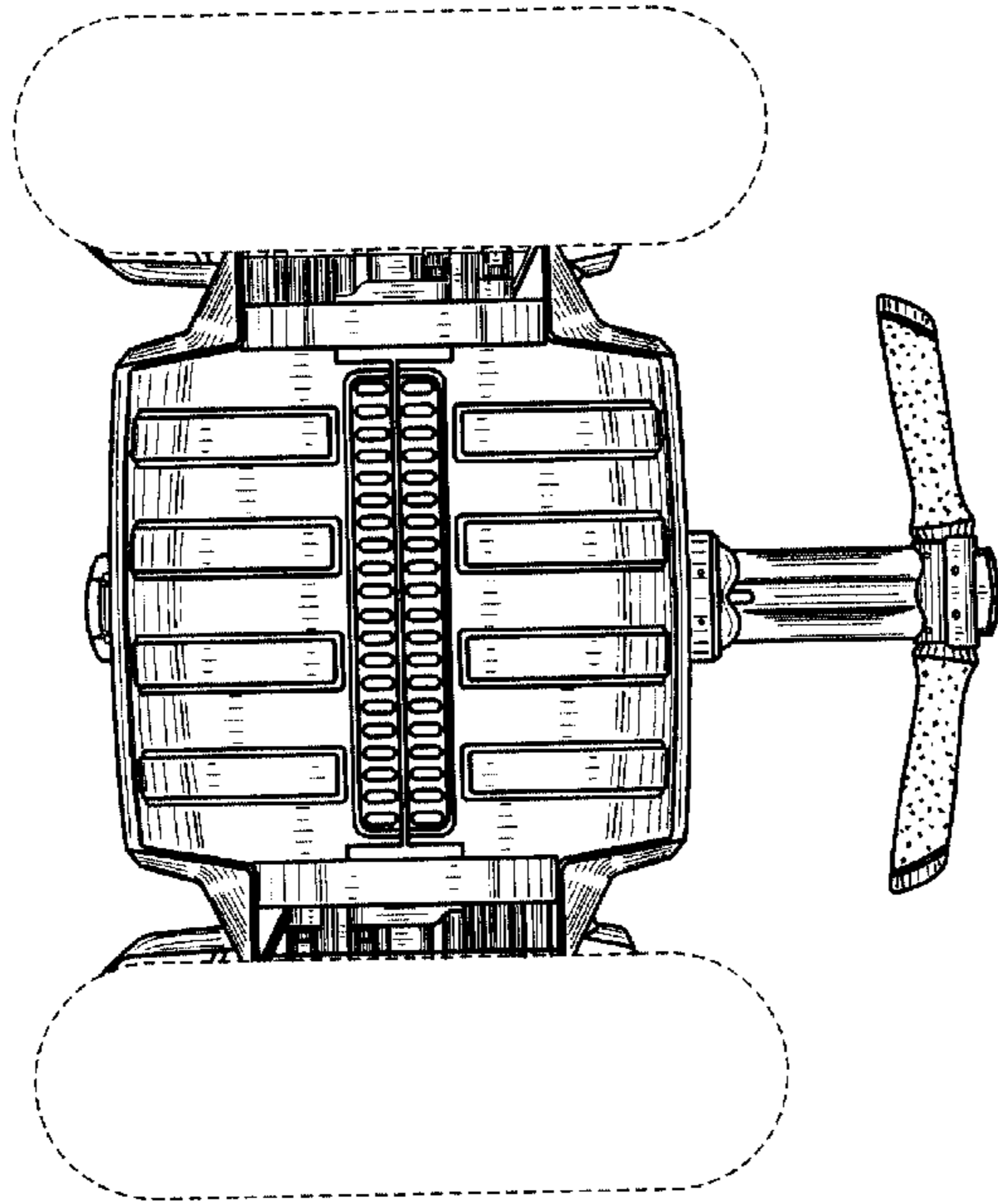


FIG. 6

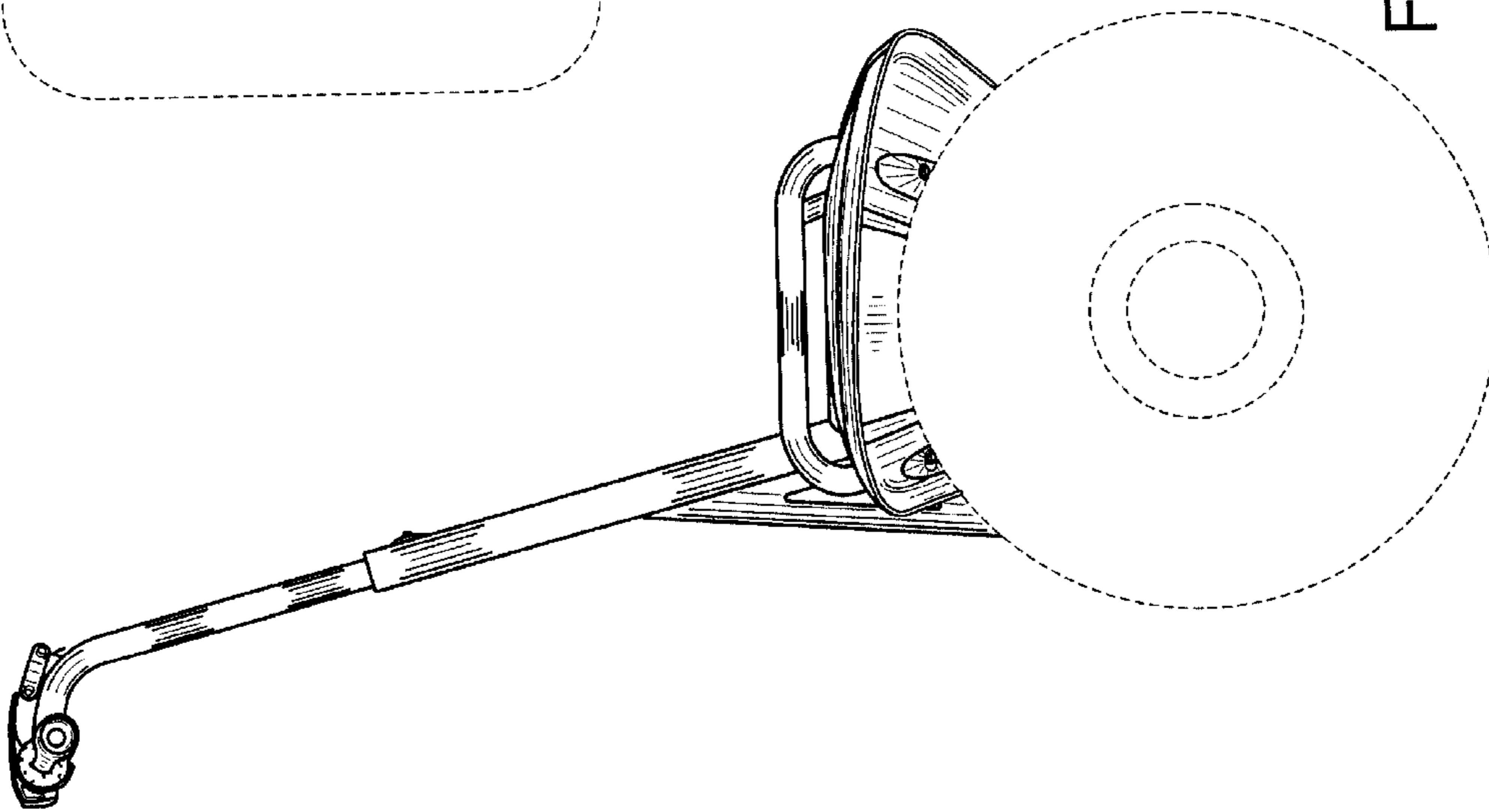


FIG. 5