



US00D551583S

(12) **United States Design Patent**
Evans

(10) **Patent No.:** **US D551,583 S**

(45) **Date of Patent:** **** Sep. 25, 2007**

(54) **UPPER HOUSING OF A 24-HOUR FLASHING BEACON**

(75) Inventor: **Andrew Blair Evans**, Victoria (CA)

(73) Assignee: **JSF Technologies**, Saanichton (CA)

(**) Term: **14 Years**

(21) Appl. No.: **29/235,442**

(22) Filed: **Aug. 3, 2005**

(30) **Foreign Application Priority Data**

May 17, 2005 (CA) 111267

(51) **LOC (8) Cl.** **10-05**

(52) **U.S. Cl.** **D10/121**

(58) **Field of Classification Search** D10/104-121;
D9/432, 422, 430, 417; D26/67; D3/152;
340/908, 915, 944; 310/220, 270; D12/218,
D12/414.1; D13/152

See application file for complete search history.

(56) **References Cited**

U.S. PATENT DOCUMENTS

5,432,391 A * 7/1995 Zawoysky 310/270
D391,384 S * 2/1998 Lerch D26/67
D393,545 S * 4/1998 Fernandes D4/199
D431,188 S * 9/2000 Monn D9/422

D466,086 S * 11/2002 Metcalf D13/152
D517,910 S * 3/2006 Bonnell D9/430
D522,854 S * 6/2006 Engels et al. D9/417
2001/0054970 A1 * 12/2001 Jones 340/915
2005/0128105 A1 * 6/2005 Green et al. 340/944
2005/0270176 A1 * 12/2005 Richardson et al. 340/908
2006/0120068 A1 * 6/2006 Langlois et al. 362/157

* cited by examiner

Primary Examiner—Robert M. Spear

Assistant Examiner—George D. Kirschbaum, Jr.

(57) **CLAIM**

The ornamental design for an upper housing of a 24-hour flashing beacon, as shown and described.

DESCRIPTION

FIG. 1 is a front elevational view of the upper housing of a 24-hour flashing beacon;

FIG. 2 is a right side elevational view thereof;

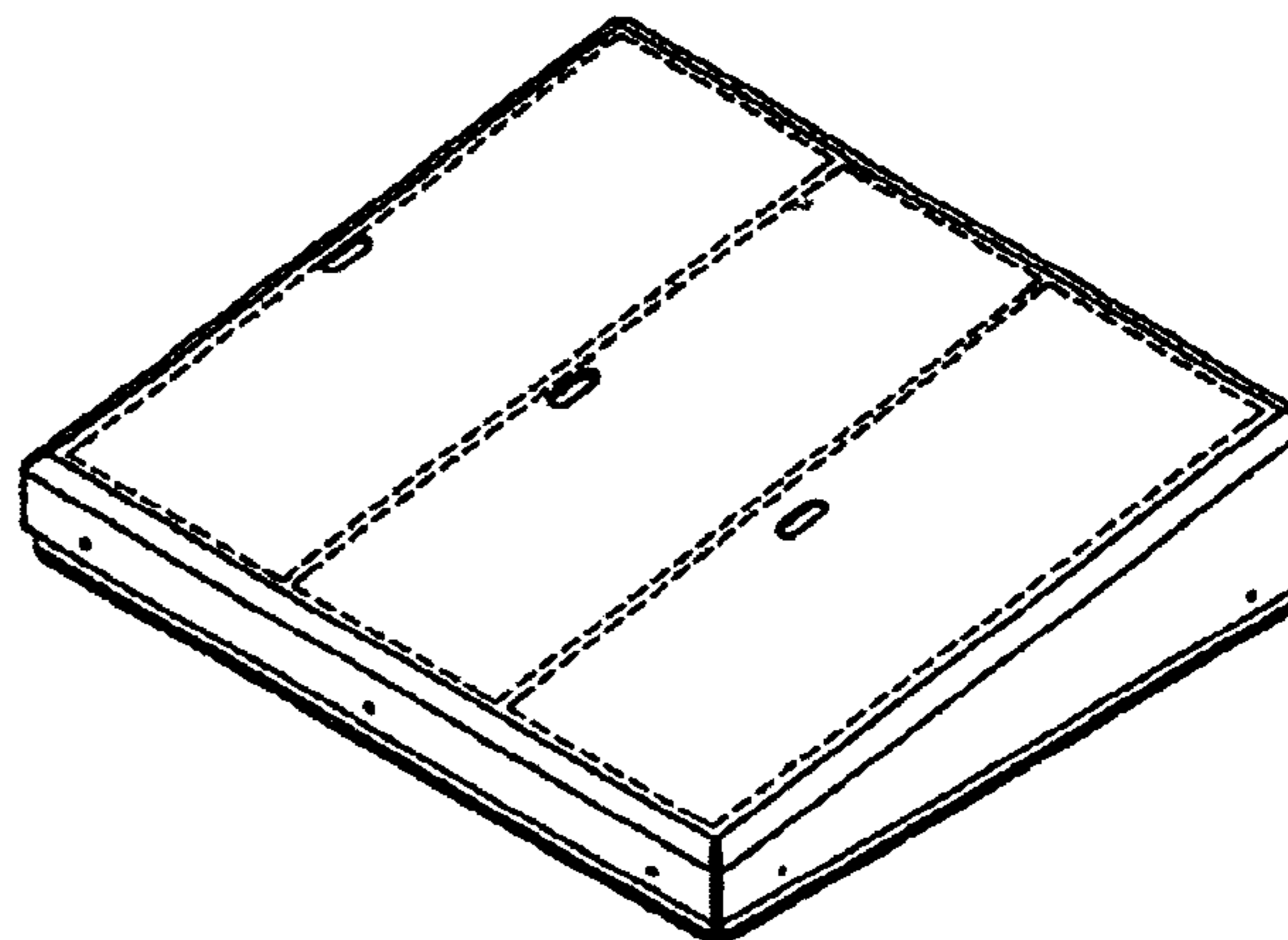
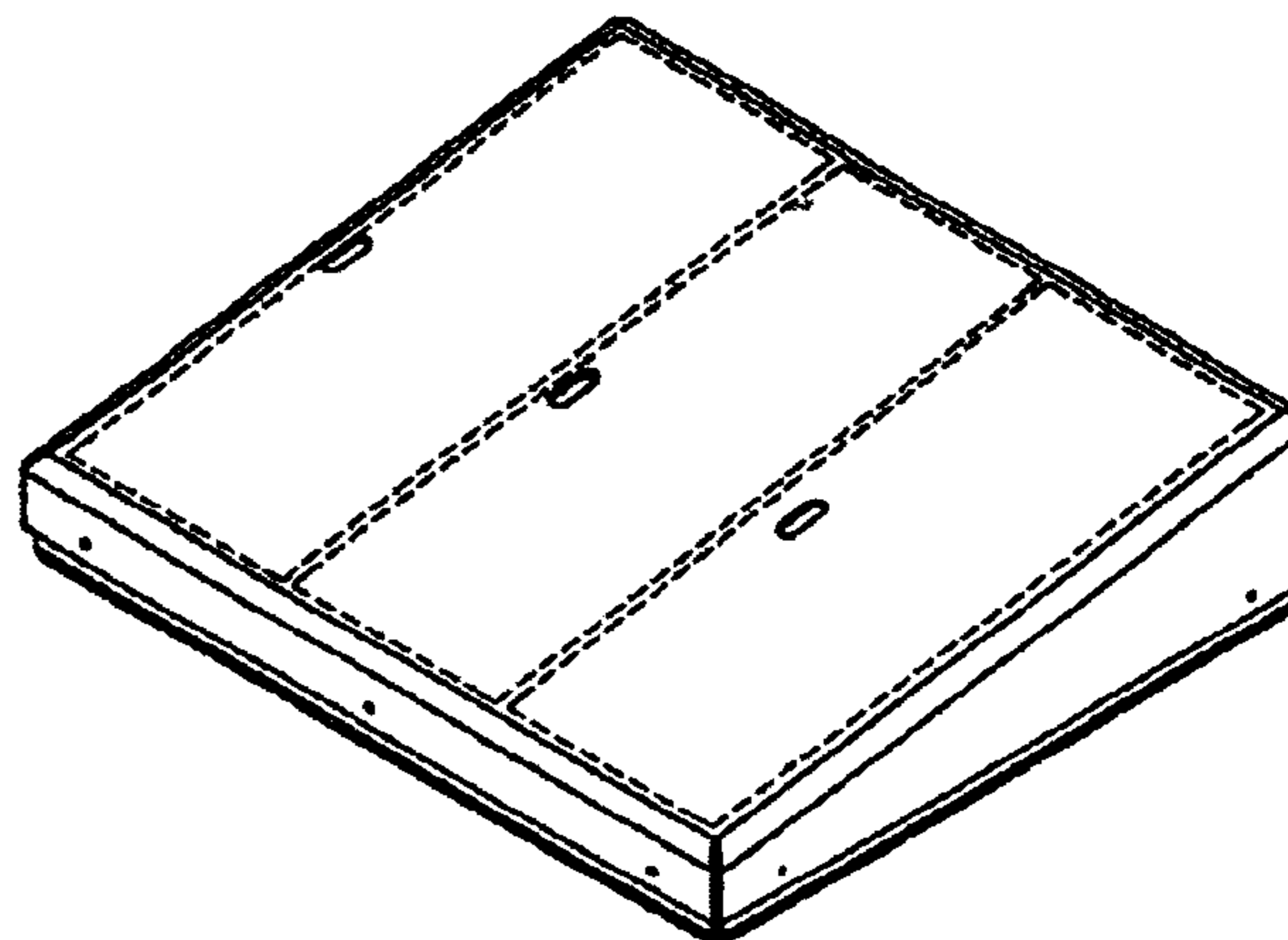
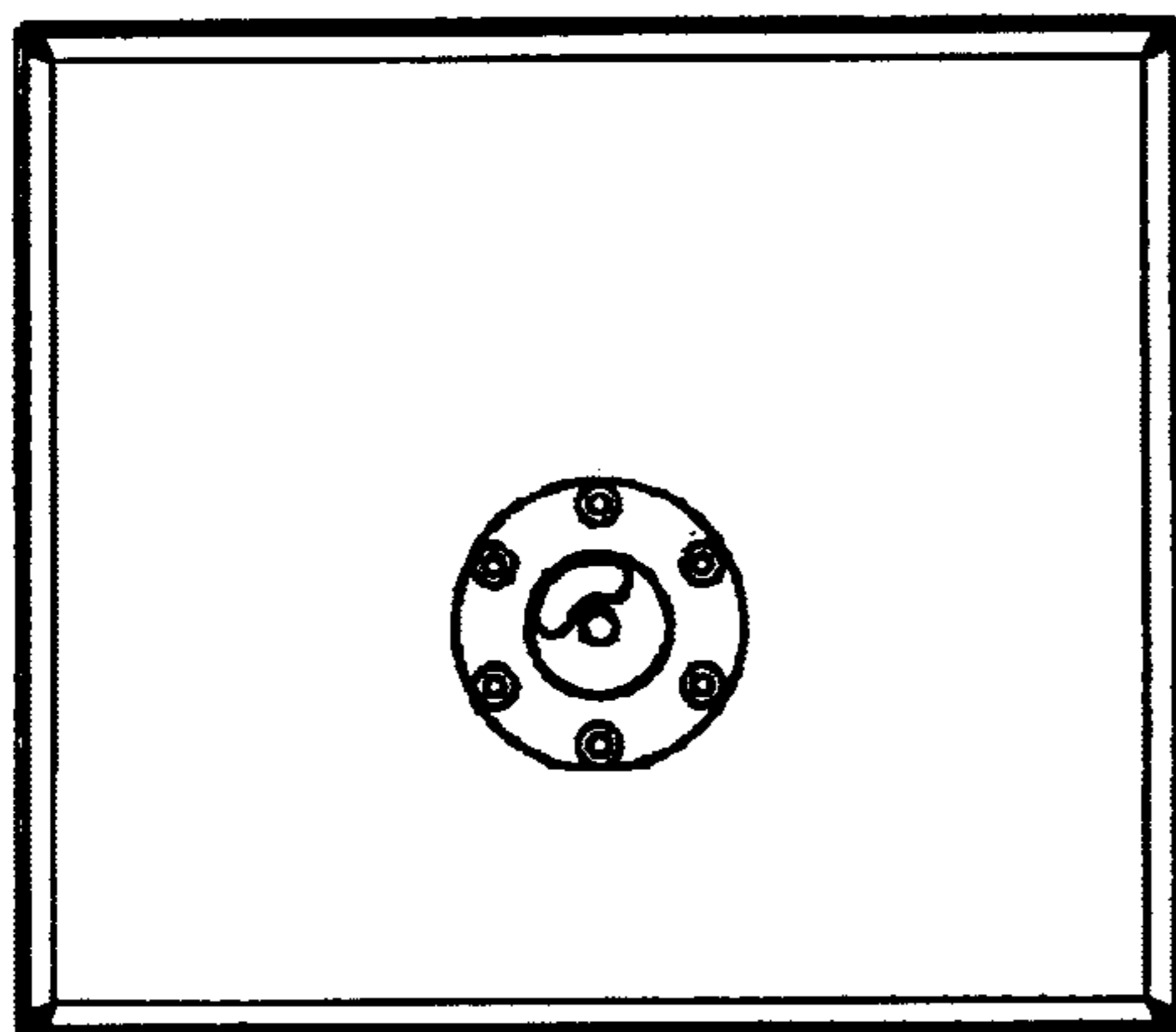
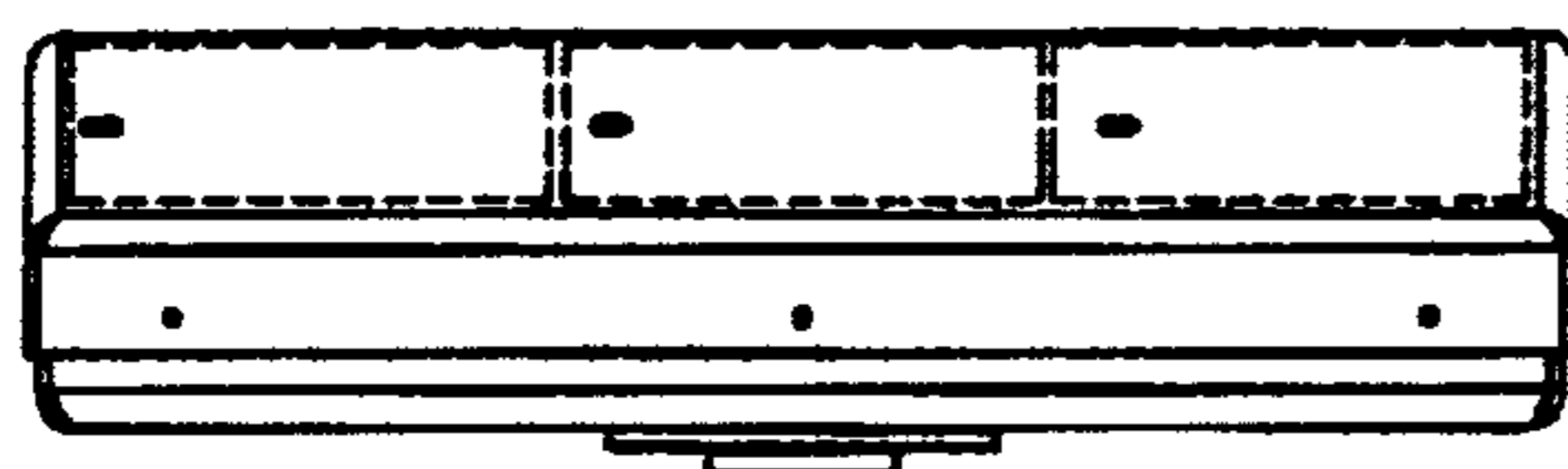
FIG. 3 is a top plan view thereof;

FIG. 4 is a bottom plan view thereof; and,

FIG. 5 is an isometric view thereof.

The broken lines in the drawings represent unclaimed subject matter.

1 Claim, 1 Drawing Sheet



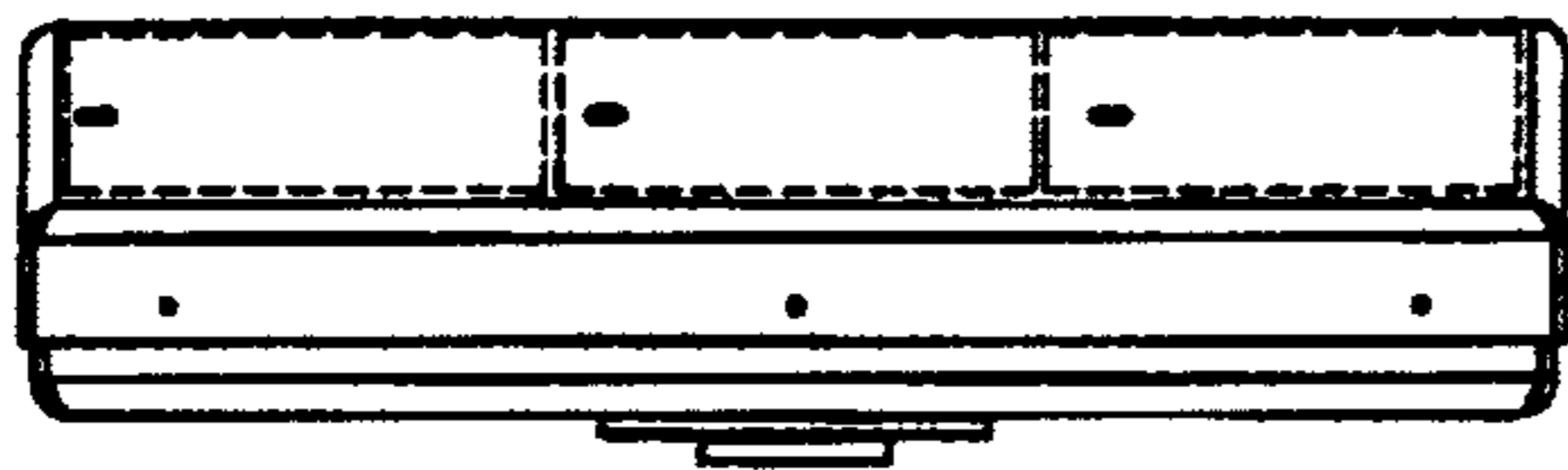


Figure 1

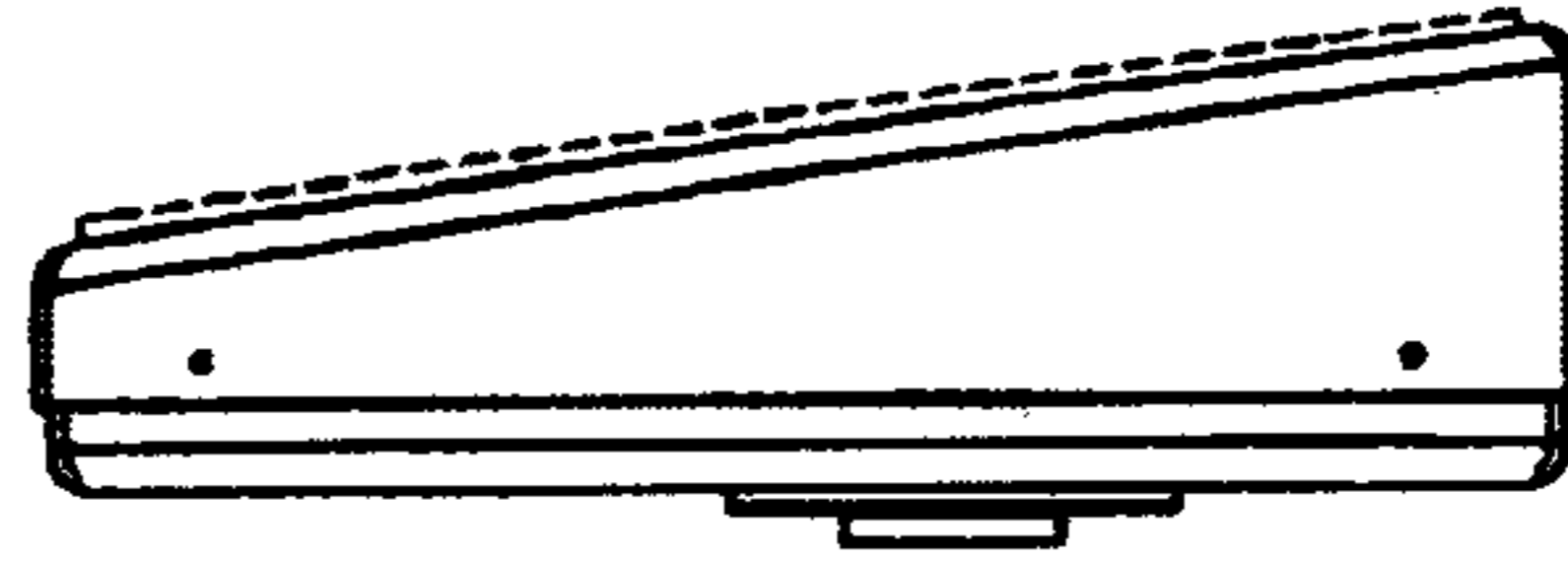


Figure 2

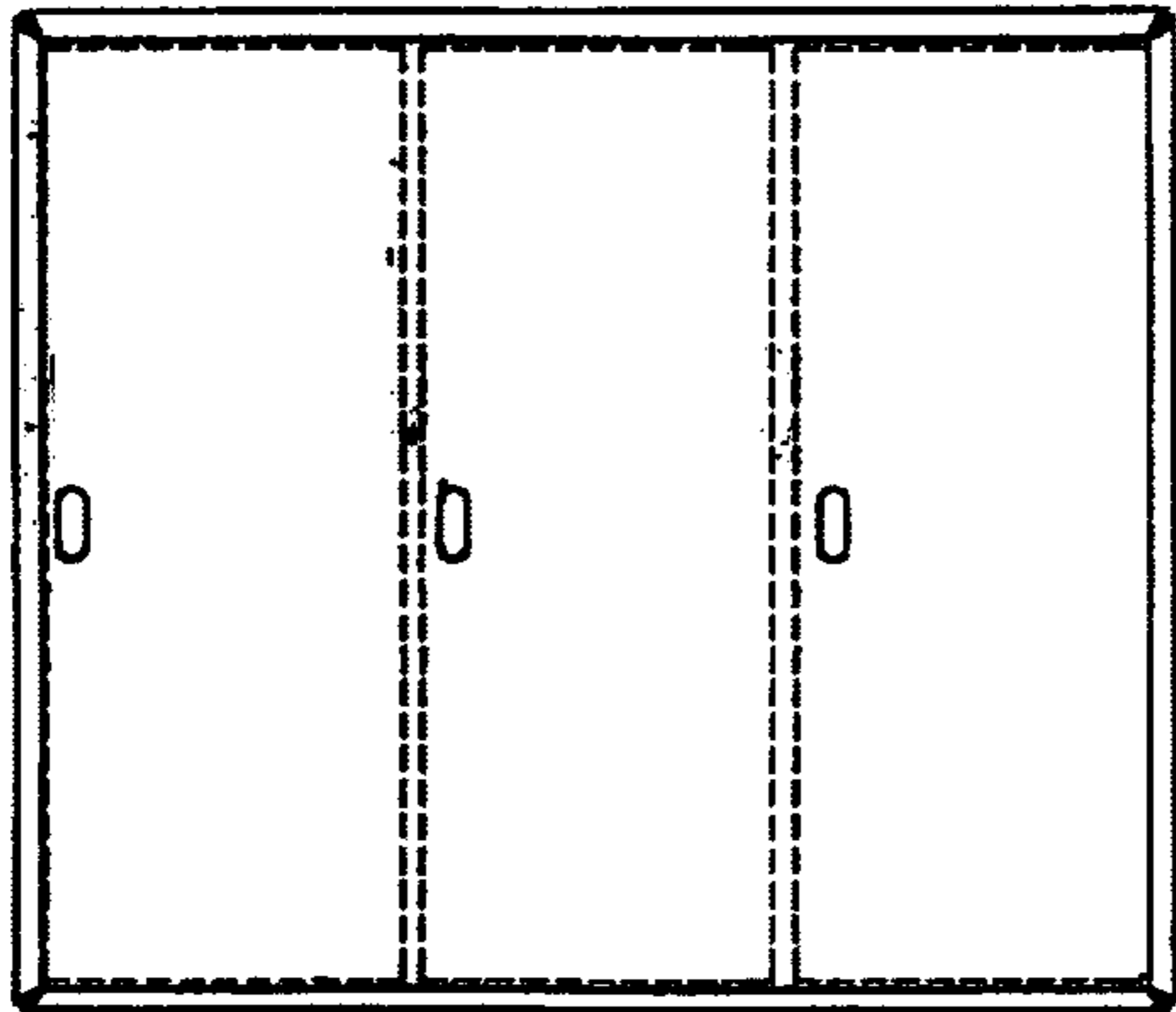


Figure 3

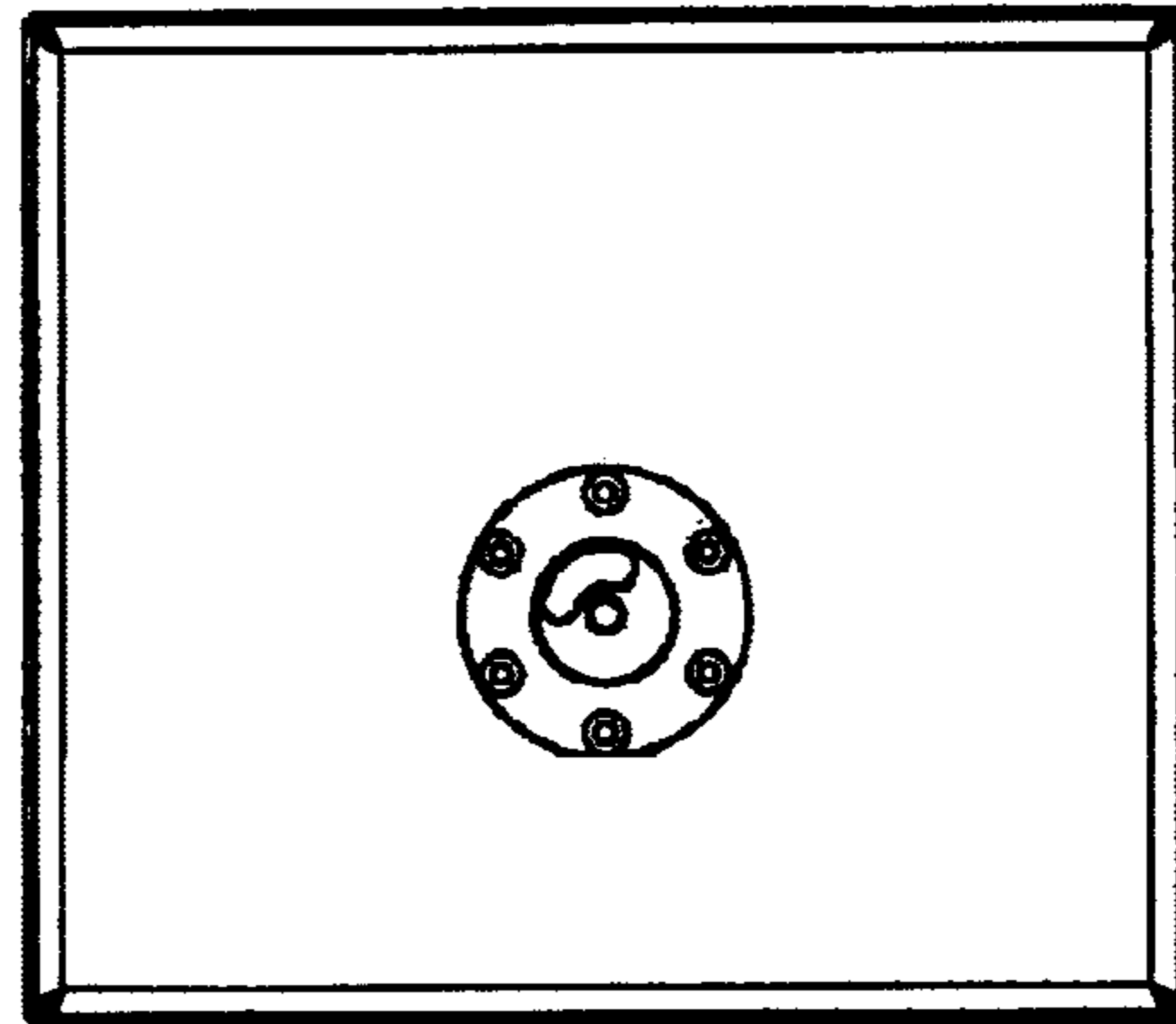


Figure 4

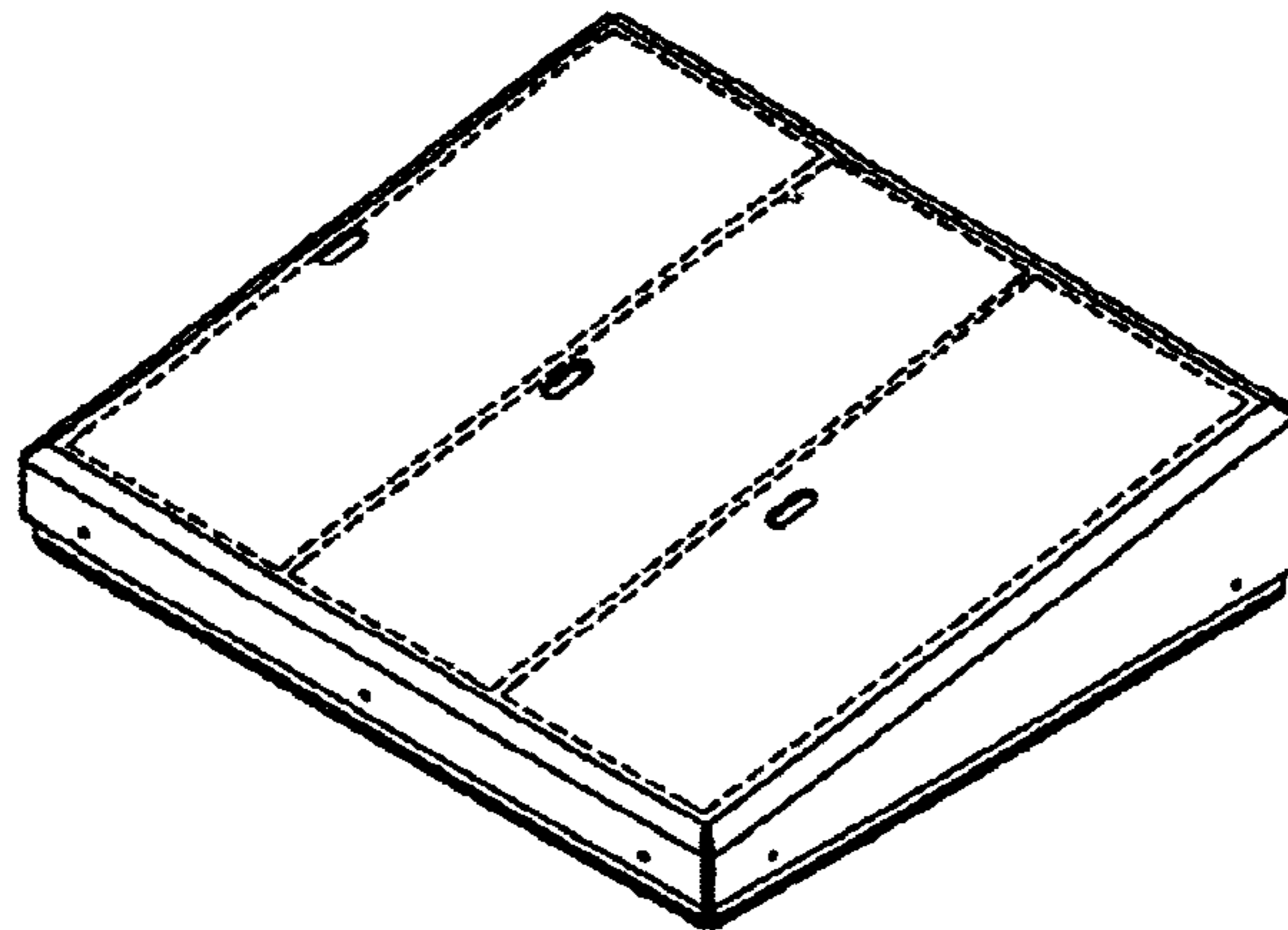


Figure 5