



US00D551575S

(12) **United States Design Patent**
Piot

(10) **Patent No.:** **US D551,575 S**

(45) **Date of Patent:** **** Sep. 25, 2007**

(54) **WATCH CASE**

(75) Inventor: **André Piot**, Valenza (IT)

(73) Assignee: **La Casa Vhernier S.r.l.**, Valenza (IT)

(**) Term: **14 Years**

(21) Appl. No.: **29/239,608**

(22) Filed: **Sep. 30, 2005**

(30) **Foreign Application Priority Data**

Mar. 30, 2005 (CH) 131718

(51) **LOC (8) Cl.** **10-02**

(52) **U.S. Cl.** **D10/38**

(58) **Field of Classification Search** D10/30-39,
D10/122-132; 368/276-278, 281-283, 285,
368/228, 232

See application file for complete search history.

(56) **References Cited**

U.S. PATENT DOCUMENTS

D217,012 S *	3/1970	Cowan	D10/38
4,412,751 A *	11/1983	Jeannet et al.	368/276
D390,479 S *	2/1998	Brandys et al.	D10/39
D410,854 S *	6/1999	Cheung et al.	D10/39
D431,784 S *	10/2000	Vananty	D10/32
6,739,748 B2 *	5/2004	Della Santa	368/283

* cited by examiner

Primary Examiner—Lucy Lieberman

(74) *Attorney, Agent, or Firm*—Kilpatrick & Lockhart
Preston Gates Ellis LLP; Roger Pitt

(57) **CLAIM**

I claim the ornamental design for a watch case, as shown and described.

DESCRIPTION

FIG. 1 is a front elevation of a watch case showing my new design;

FIG. 2 is a rear view of the watch case shown in FIG. 1;

FIG. 3 is a top view of the watch case shown in FIG. 1;

FIG. 4 is a bottom view of the watch case shown in FIG. 1;

FIG. 5 is a left side view of the watch case shown in FIG. 1;

FIG. 6 is a right side view of the watch case shown in FIG. 1;

FIG. 7 is a front, left side and bottom perspective view of of the watch case shown in FIG. 1;

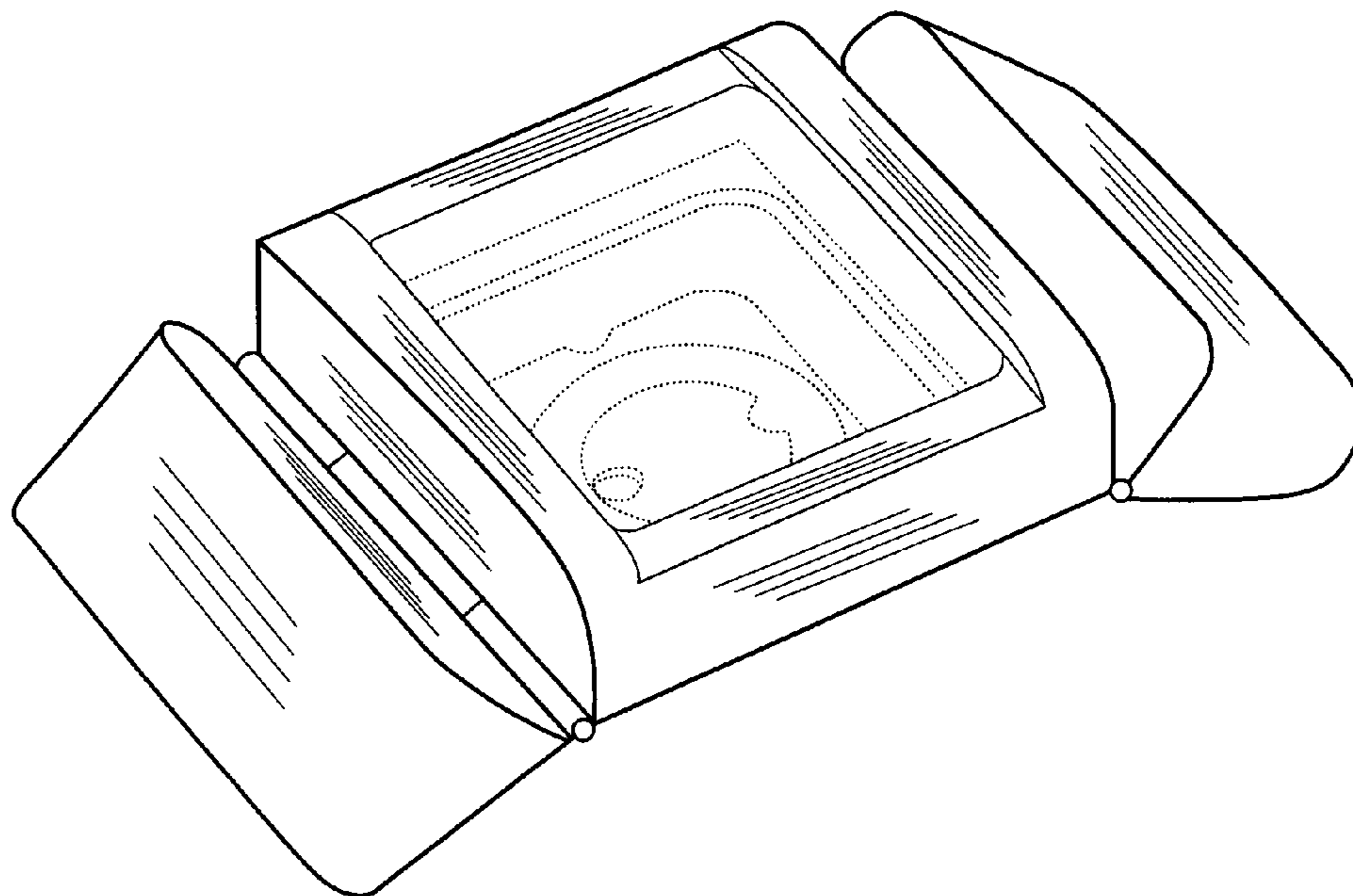
FIG. 8 is a front elevation of the watch case shown rotated 90 degrees from the position shown in FIG. 1 with the components in an alternate position;

FIG. 9 is a bottom view of the watch case shown with the components in the alternate position; and,

FIG. 10 is a front, left side and bottom perspective view of the watch case shown with the components in the alternate position.

The broken lines in the drawings are for illustrative purposes only and do not form part of the claimed design.

1 Claim, 3 Drawing Sheets



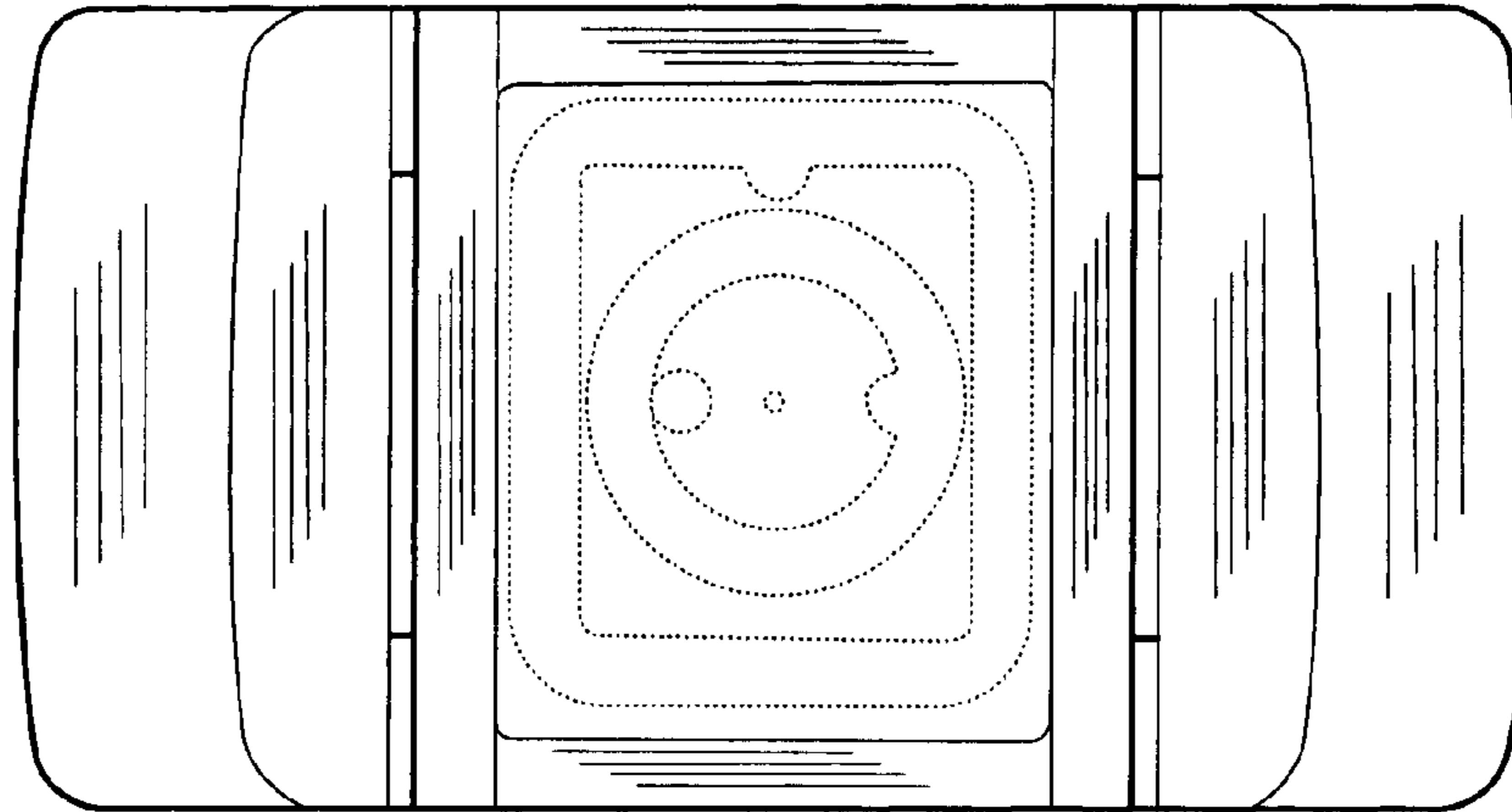


Fig. 1

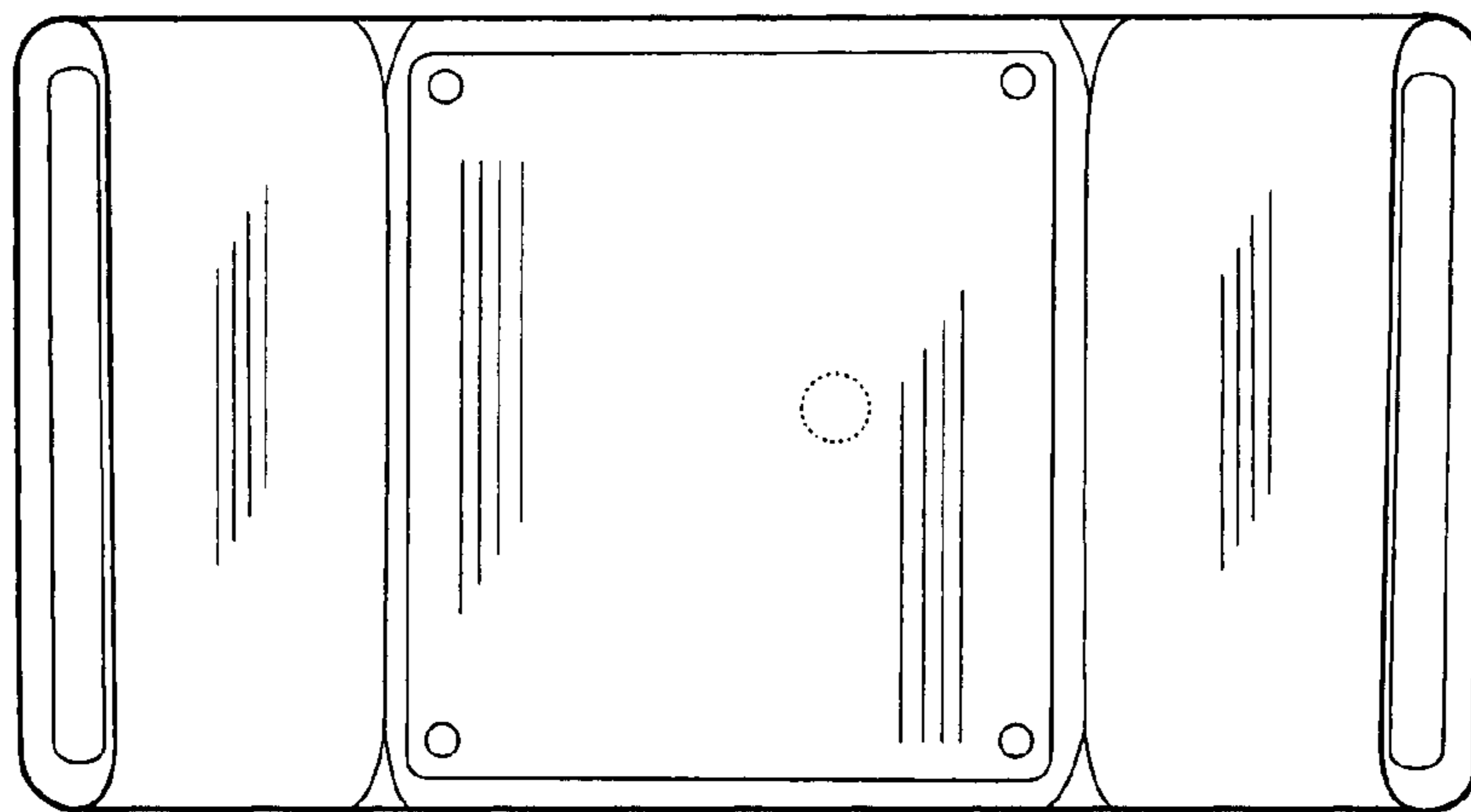


Fig. 2

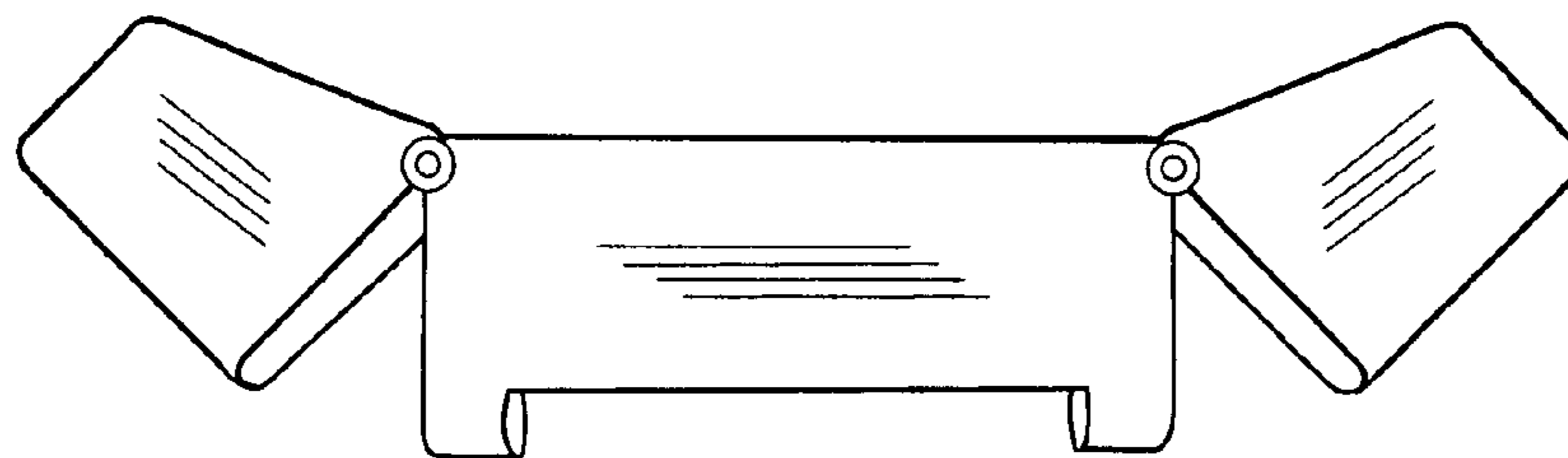


Fig. 3

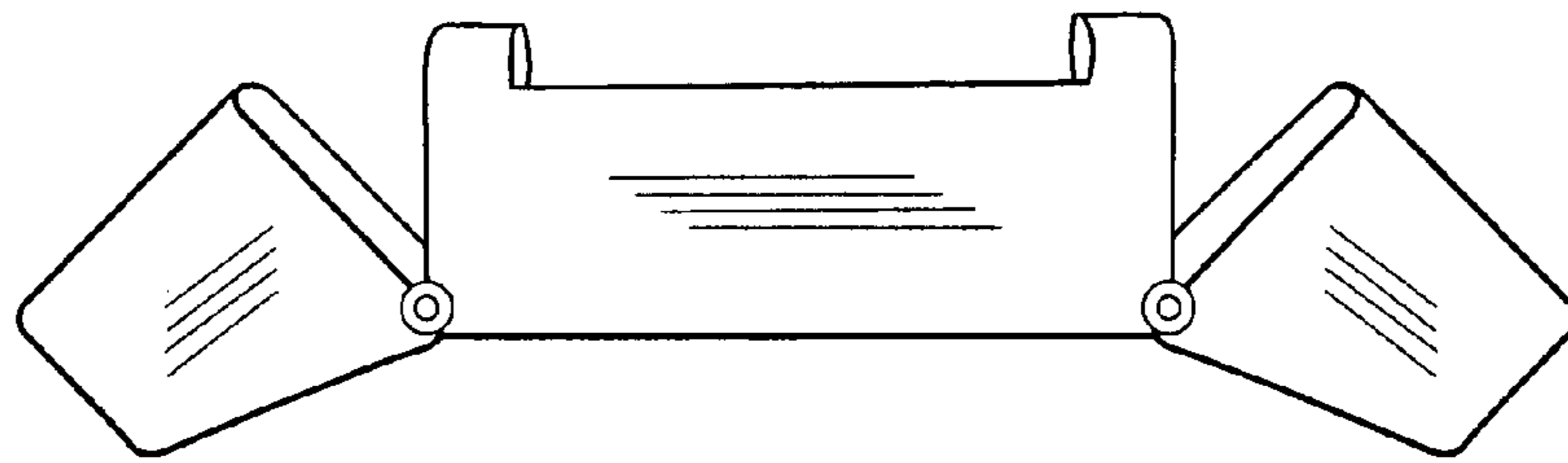


Fig. 4

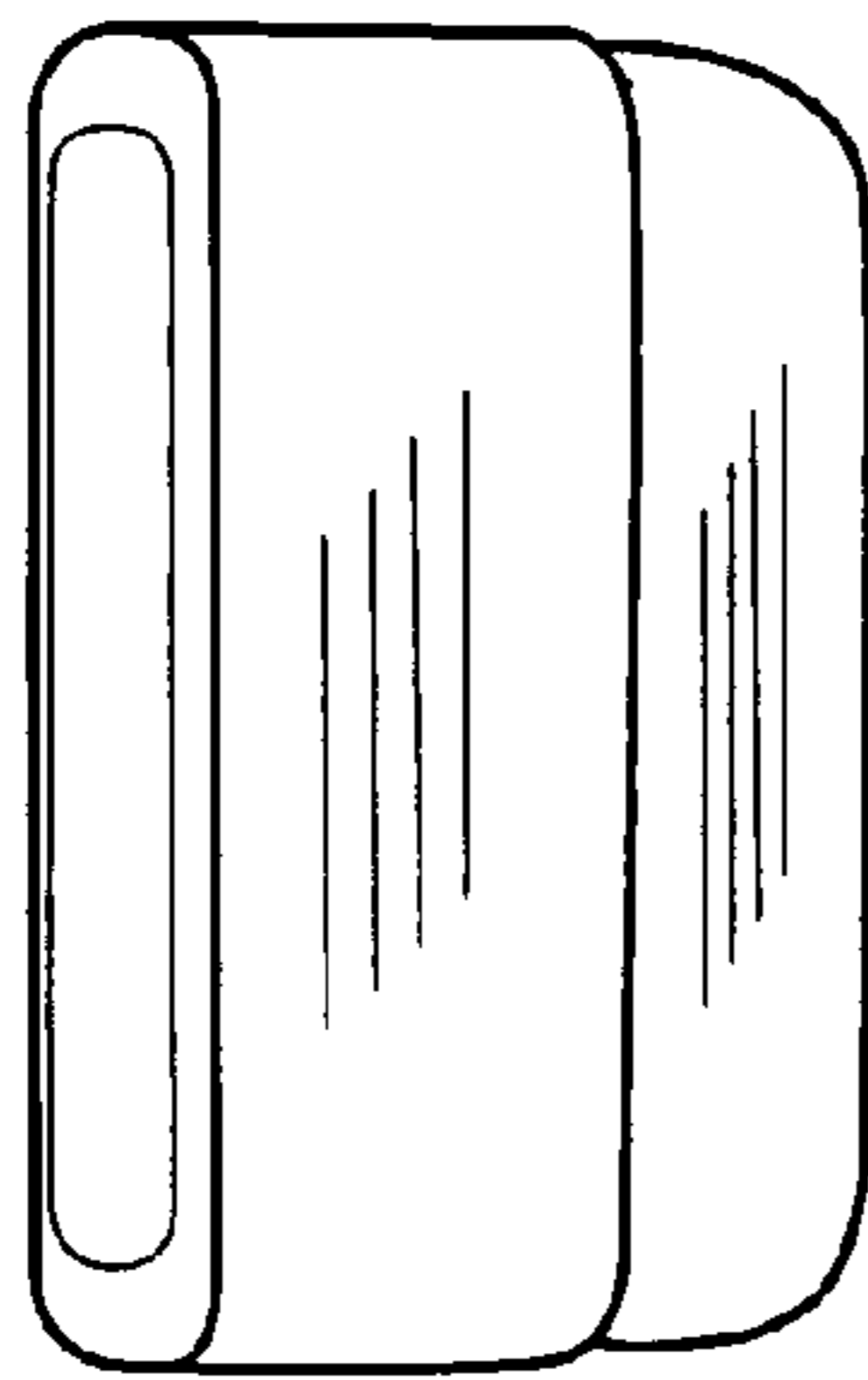


Fig. 5

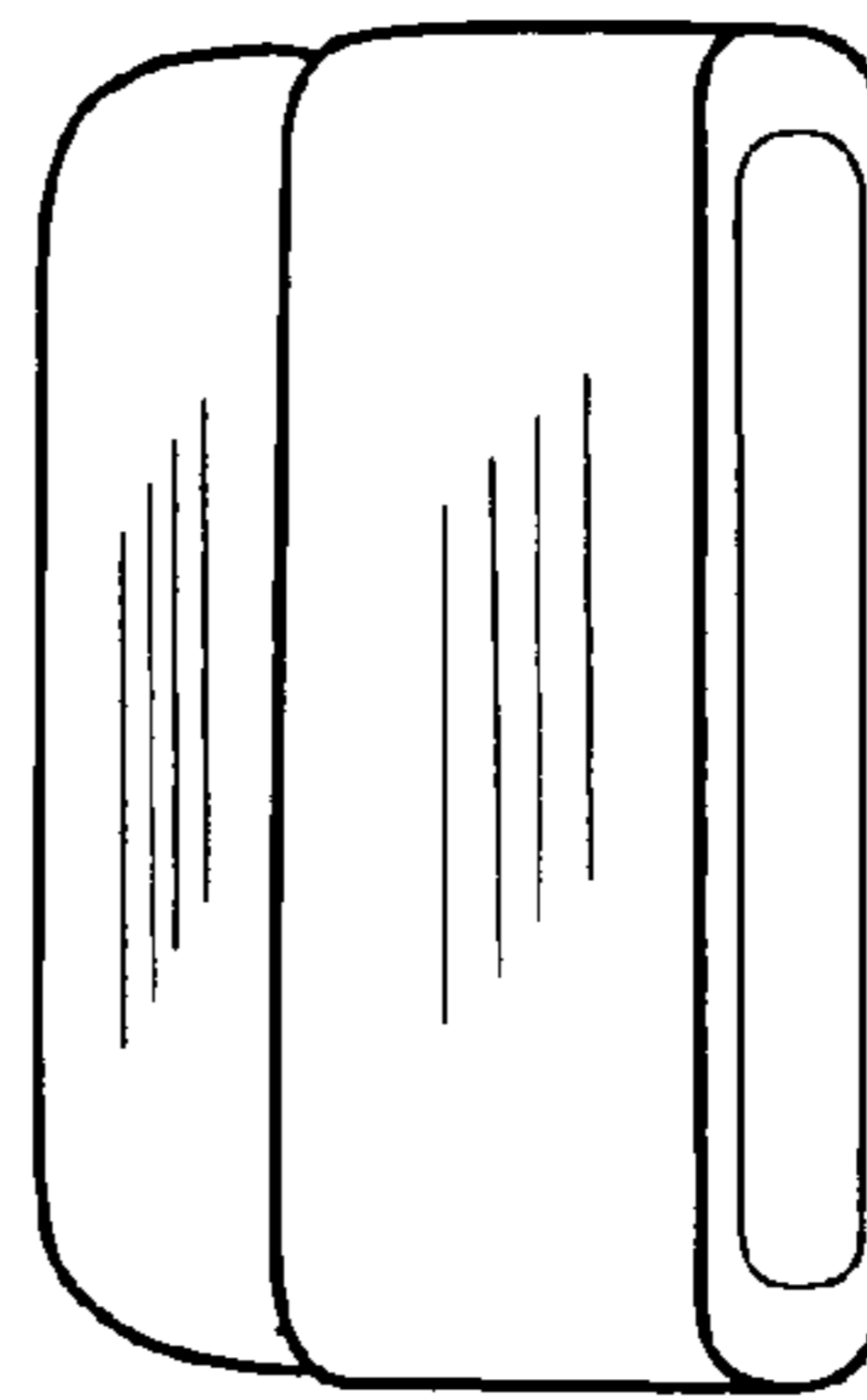


Fig. 6

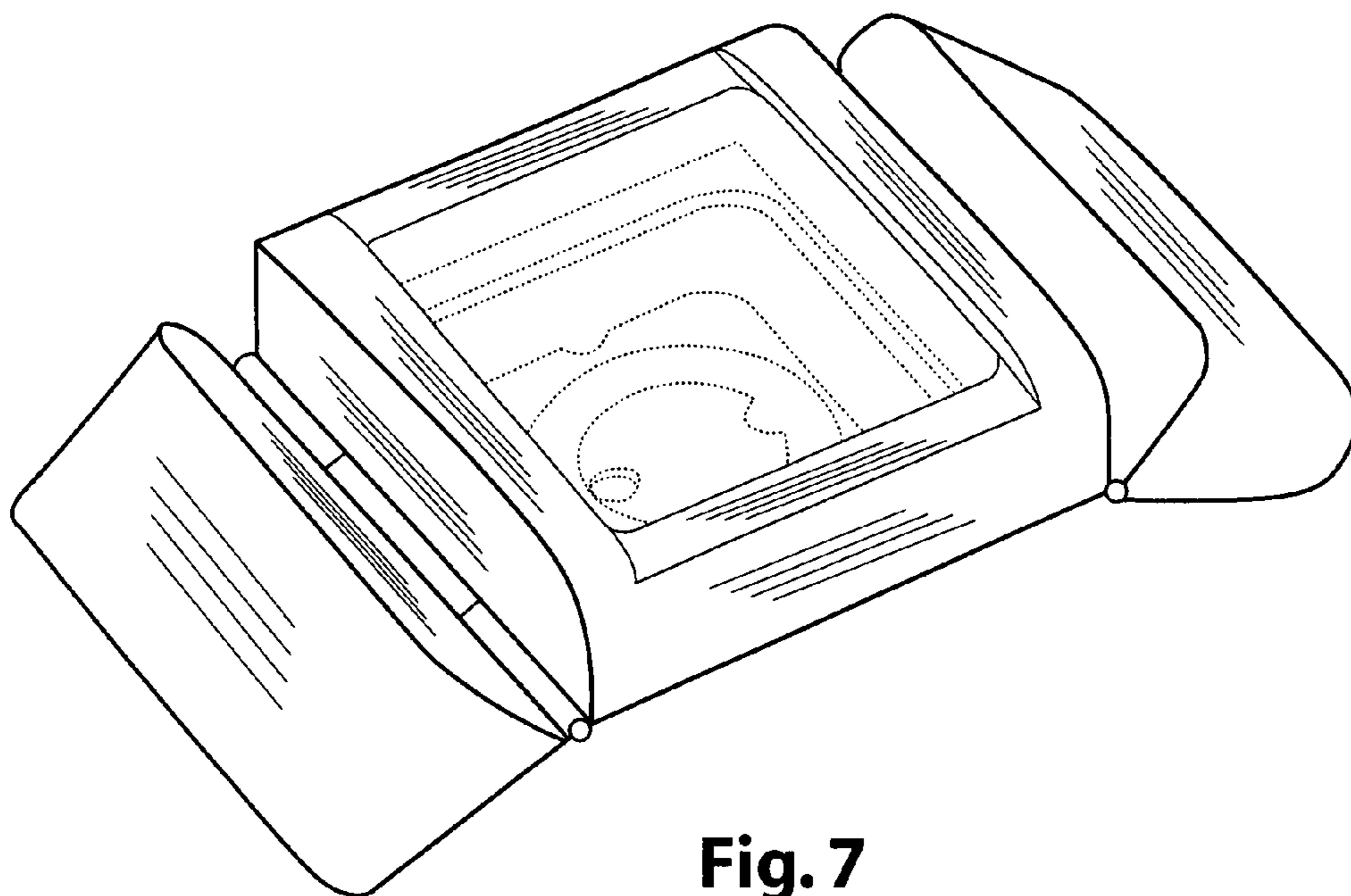


Fig. 7

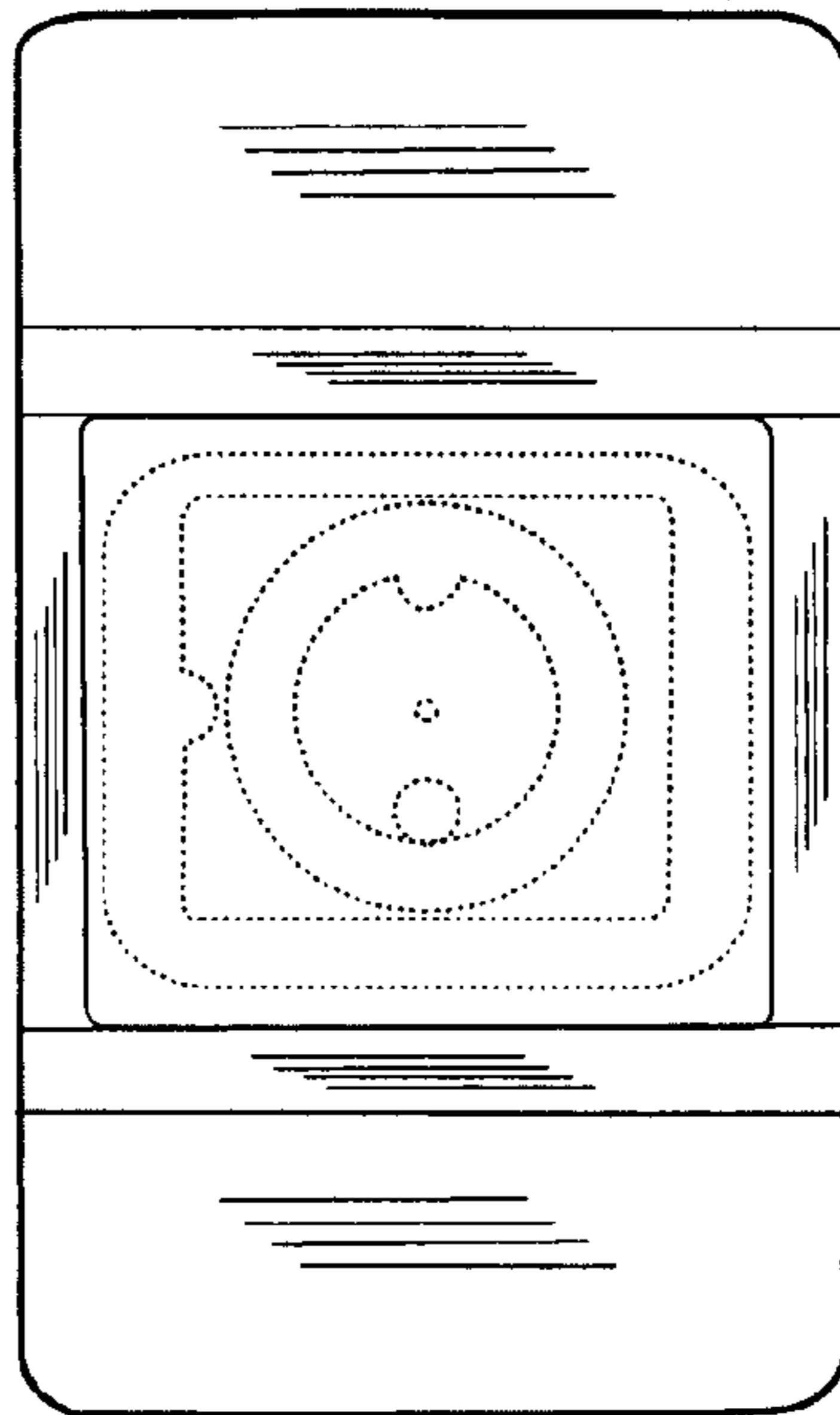


Fig. 8

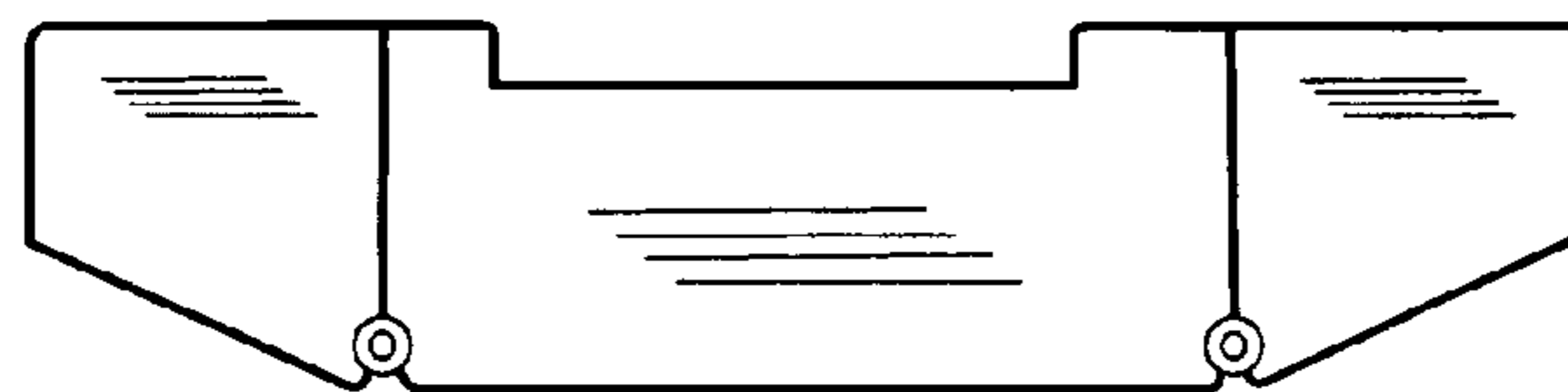


Fig. 9

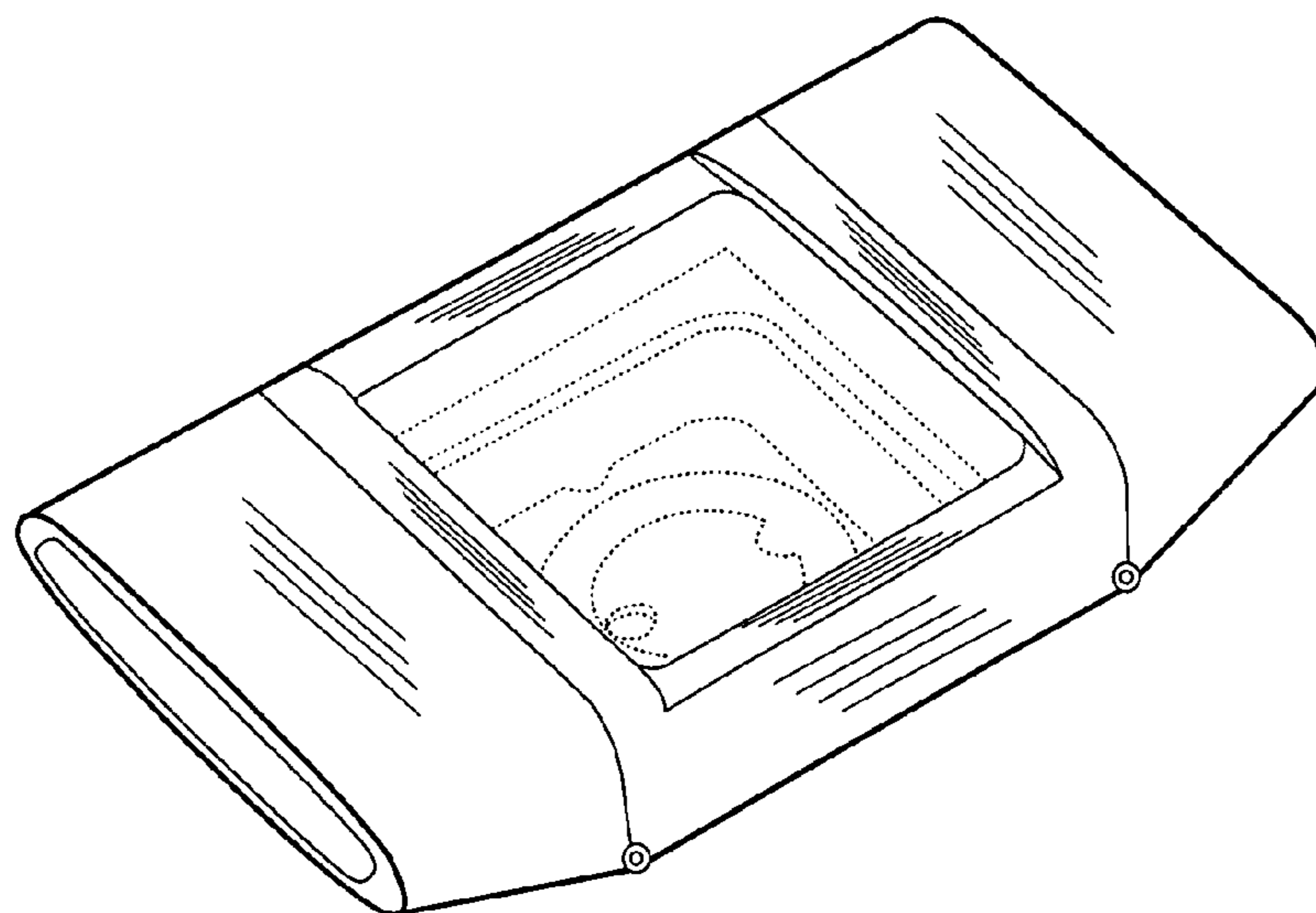


Fig. 10