



US00D551565S

(12) **United States Design Patent**  
**Wouters et al.**

(10) **Patent No.:** **US D551,565 S**

(45) **Date of Patent:** **\*\* Sep. 25, 2007**

(54) **PACKAGE**

D517,420 S \* 3/2006 Scheider ..... D9/631  
D537,357 S \* 2/2007 Holt ..... D9/631

(75) Inventors: **Lonneke Wouters**, AR Beek en Donk  
(NL); **Rolf van Sprang**, DS Vught  
(NL)

\* cited by examiner

*Primary Examiner*—Caron D. Veynar  
*Assistant Examiner*—Abraham Bahta  
(74) *Attorney, Agent, or Firm*—Arent Fox

(73) Assignee: **Mars, Incorporated**, McLean, VA (US)

(\*\*) Term: **14 Years**

(57) **CLAIM**

(21) Appl. No.: **29/265,310**

The ornamental design for a package, substantially as shown  
and described.

(22) Filed: **Aug. 28, 2006**

(51) **LOC (8) Cl.** ..... **09-05**

(52) **U.S. Cl.** ..... **D9/704**

(58) **Field of Classification Search** ..... D9/704,  
D9/703, 705, 709, 631; D3/232, 243; 383/6;  
150/100, 107, 112, 118

See application file for complete search history.

**DESCRIPTION**

FIG. 1 is a perspective view of the package, showing the  
new design;

FIG. 2 is a perspective view showing the opposite side of the  
package;

FIG. 3 is a side elevational view of the front side thereof;

FIG. 4 is a side elevational view of the rear side thereof;

FIG. 5 is an elevational view of one end of the package, the  
opposite end being a mirror image thereof;

FIG. 6 is a top plan view thereof; and,

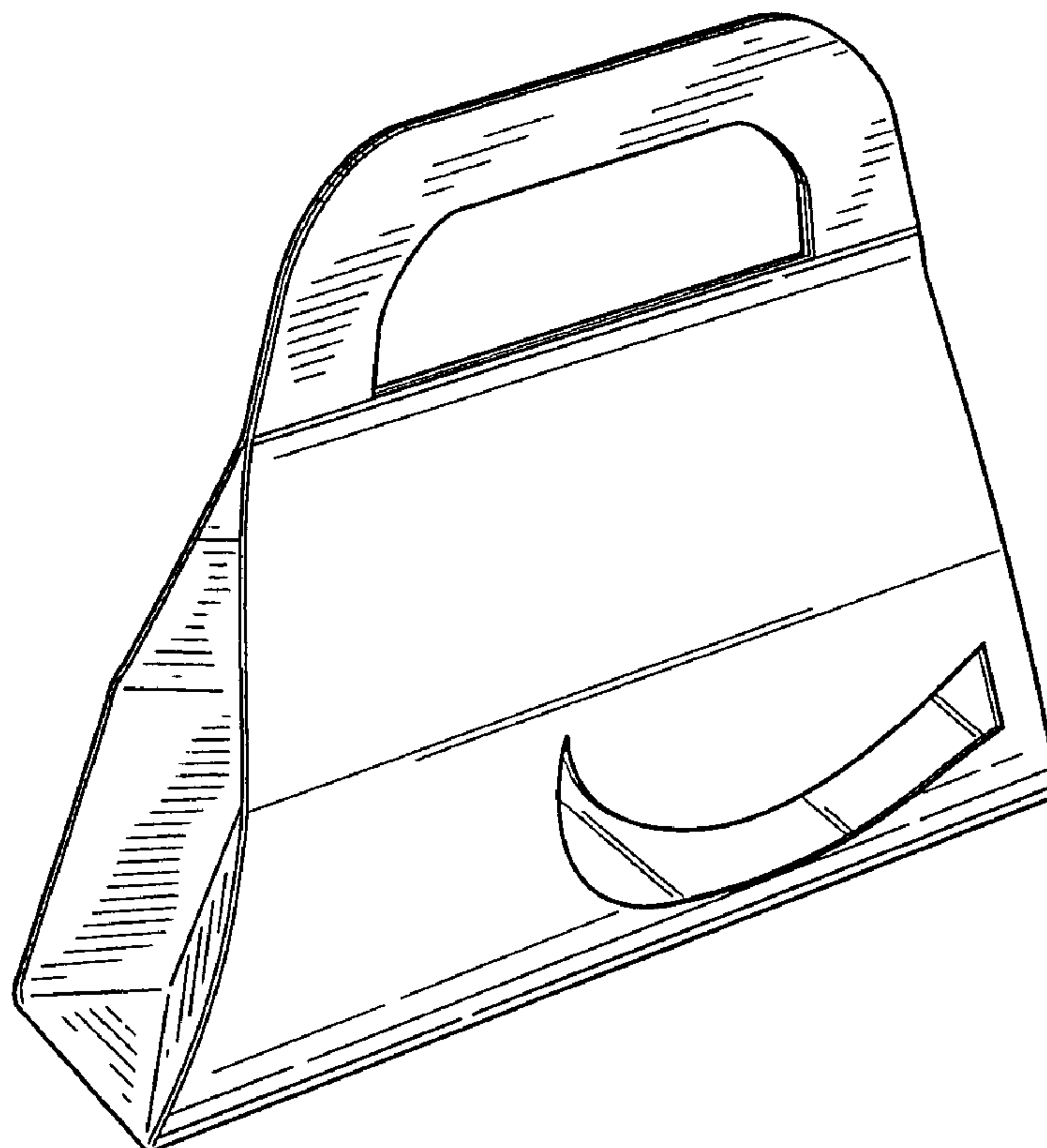
FIG. 7 is a bottom plan view thereof.

(56) **References Cited**

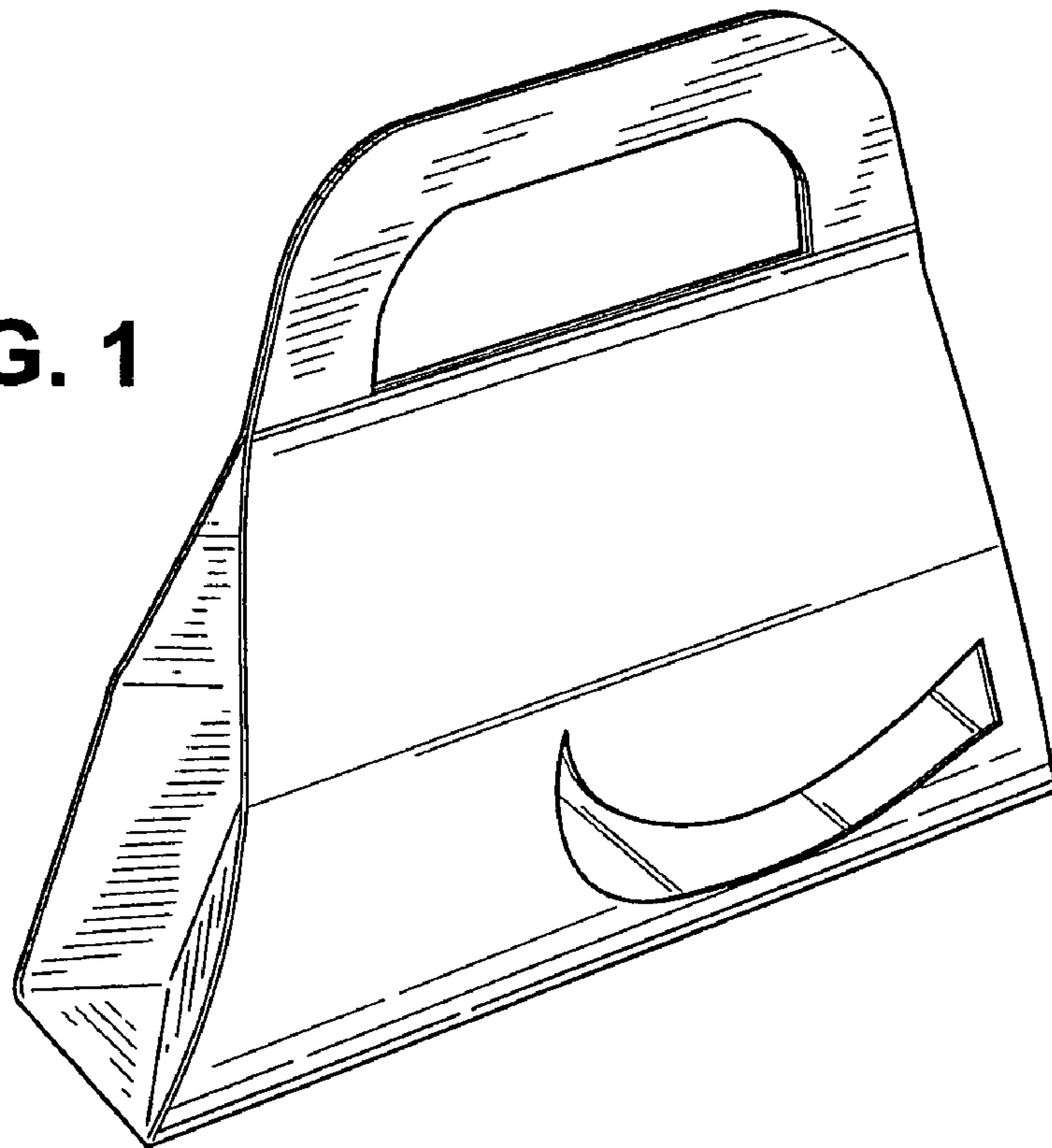
U.S. PATENT DOCUMENTS

3,800,361	A	*	4/1974	Stauffer	.....	16/411
D241,321	S	*	9/1976	Paige	.....	D9/704
D312,393	S	*	11/1990	Bookoff et al.	.....	D9/704
D350,689	S	*	9/1994	Chao	.....	D9/704
D413,796	S	*	9/1999	Mansau	.....	D9/631
D446,642	S	*	8/2001	Dix	.....	D3/243

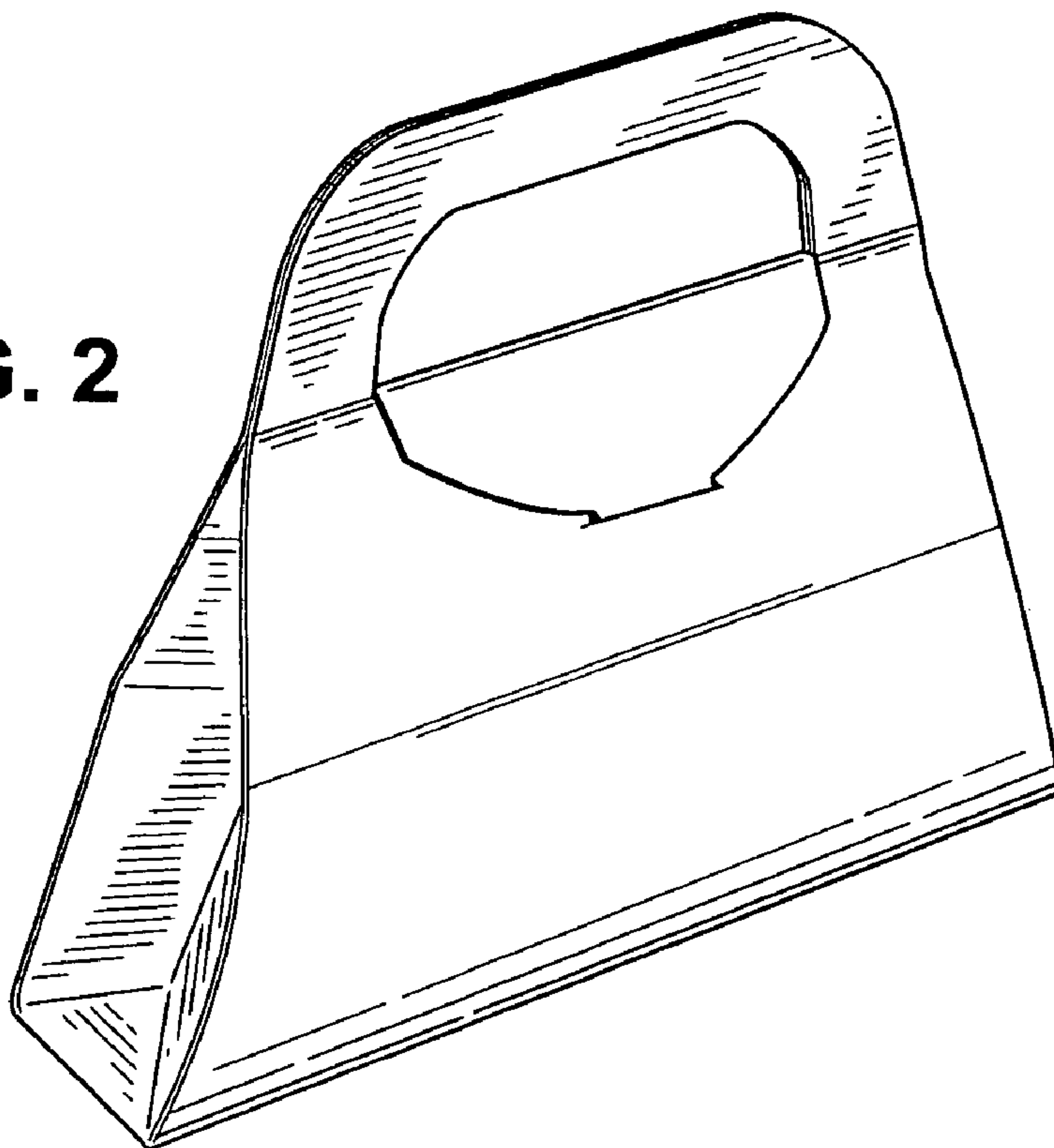
**1 Claim, 3 Drawing Sheets**

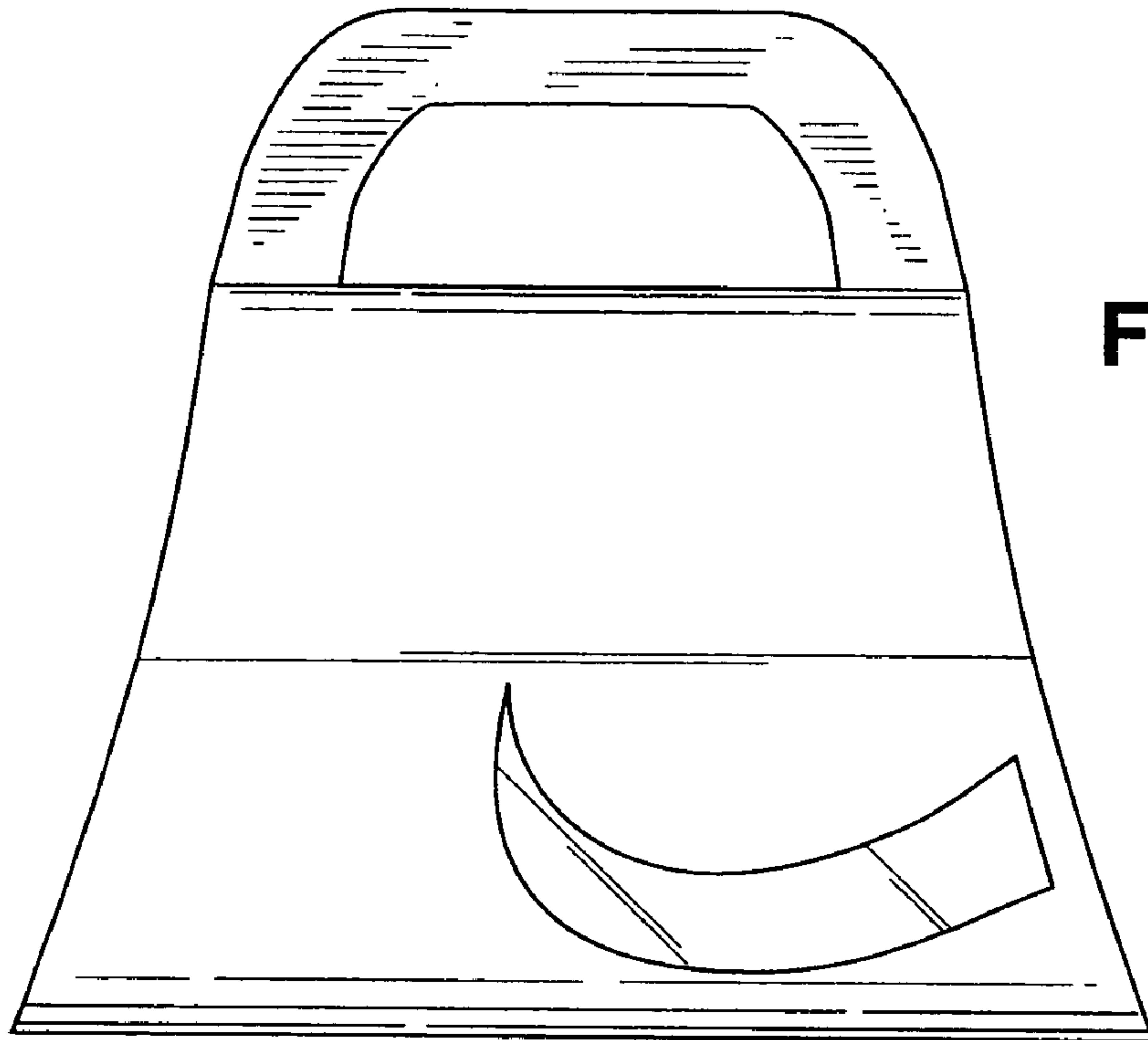


**FIG. 1**

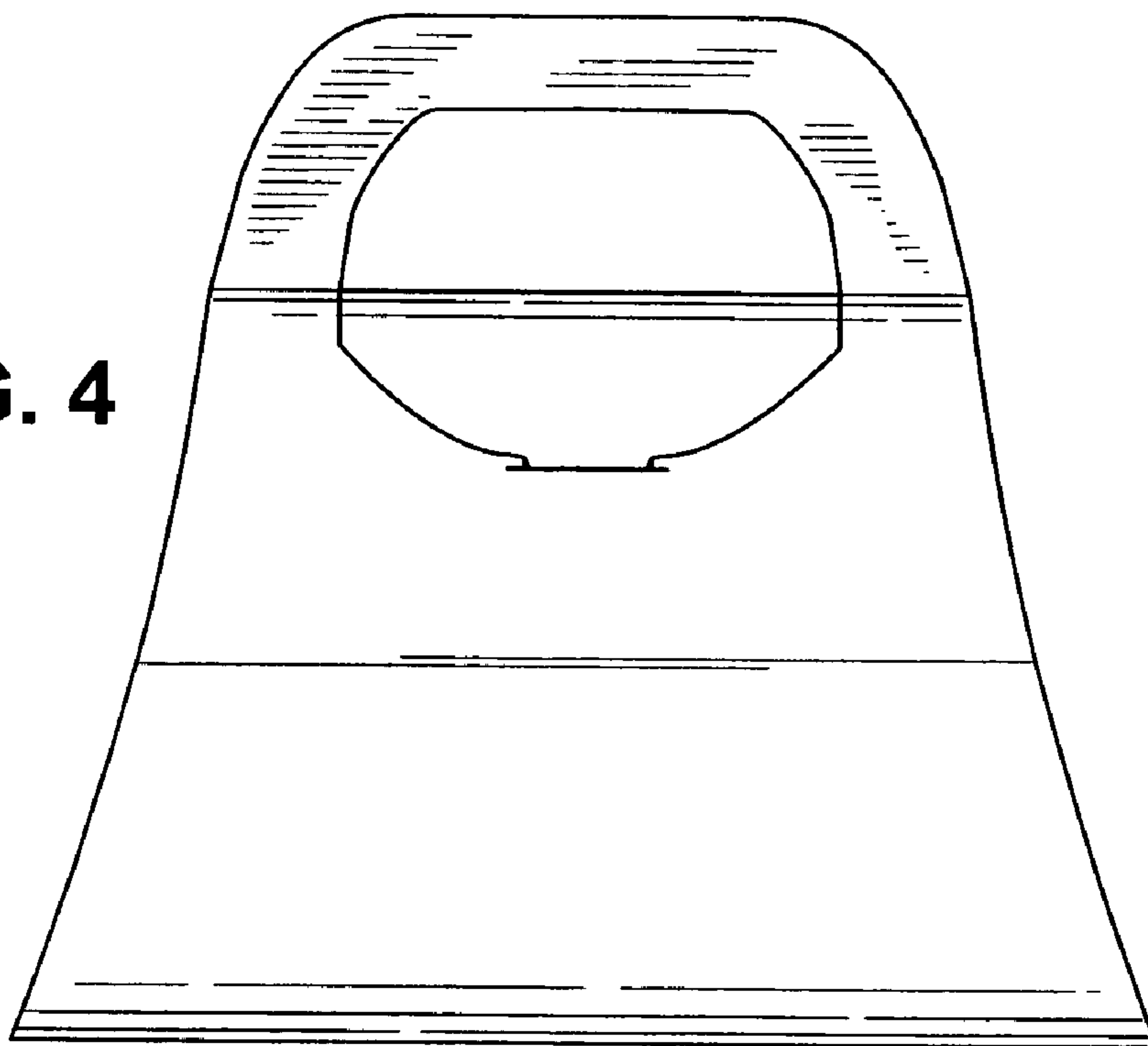


**FIG. 2**



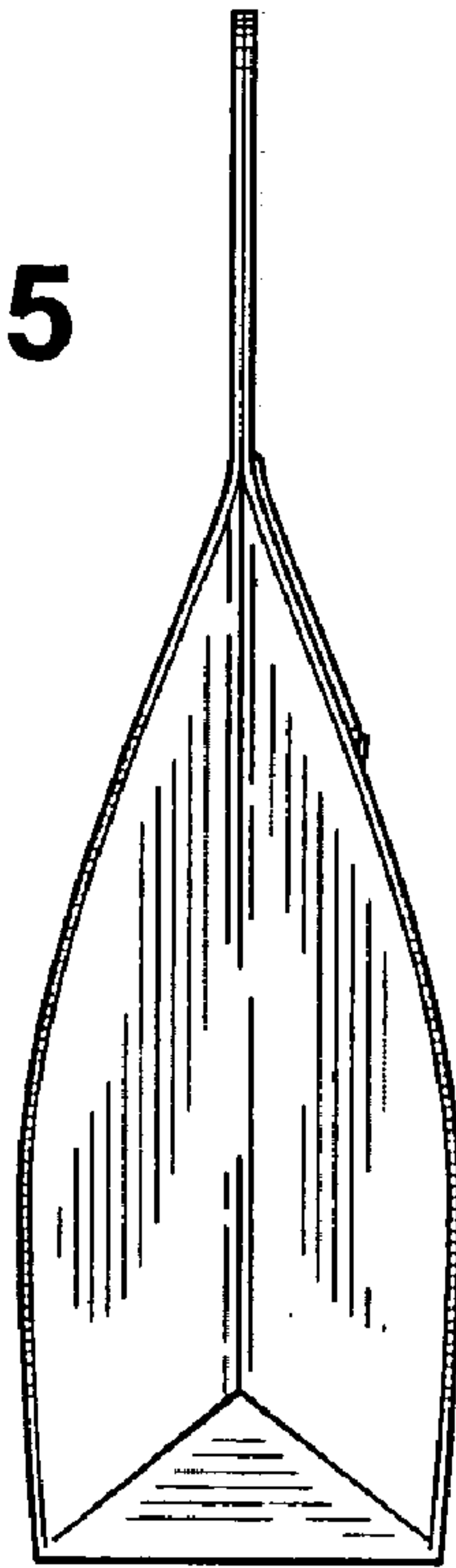


**FIG. 3**

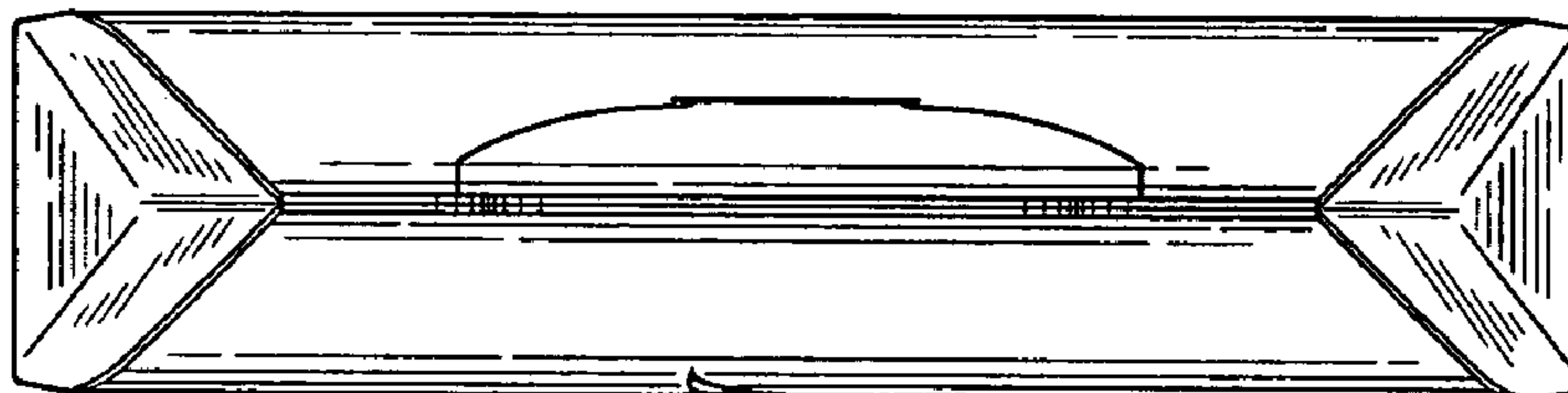


**FIG. 4**

**FIG. 5**



**FIG. 6**



**FIG. 7**

