



US00D551564S

(12) **United States Design Patent**
Patey et al.

(10) **Patent No.:** **US D551,564 S**

(45) **Date of Patent:** **** Sep. 25, 2007**

(54) **FOOD CONTAINER**

(75) Inventors: **Darrin Bentley Patey**, Brampton (CA);
Sergio O. Montero Orozco, Mexico
City (MX); **Diego Moreno Cureño**,
Mexico City (MX)

(73) Assignee: **Sabritas, S. de R.I. de C.V.**, Colonia
Lomas de Chapultepec, D.F. (MX)

(**) Term: **14 Years**

(21) Appl. No.: **29/247,520**

(22) Filed: **Jun. 23, 2006**

(51) **LOC (8) Cl.** **09-01**

(52) **U.S. Cl.** **D9/689**

(58) **Field of Classification Search** D9/689,
D9/520, 540, 556-558, 682-690; D6/542;
D28/89, 91.1, 99; 222/321.7, 321.9, 386
See application file for complete search history.

(56) **References Cited**

U.S. PATENT DOCUMENTS

3,472,423	A	10/1969	Kaplan	
3,901,416	A	8/1975	Schultz	
4,074,833	A	2/1978	Otto, Sr.	
4,323,177	A	4/1982	Nielsen	
D303,627	S *	9/1989	Wilkinson D9/689
5,650,180	A	7/1997	Kumada et al.	
6,247,995	B1	6/2001	Bryan	
6,477,743	B1	11/2002	Gross et al.	
6,513,680	B2	2/2003	Nakayoshi et al.	
6,935,543	B2	8/2005	DeGroot et al.	
D512,918	S *	12/2005	Ruiz D9/520
D513,187	S *	12/2005	Ruiz D9/540

* cited by examiner

Primary Examiner—Stella M. Reid

Assistant Examiner—Rashida C. McCoy

(74) *Attorney, Agent, or Firm*—Carstens & Cahoon, LLP;
Colin P. Cahoon

(57) **CLAIM**

The ornamental design for a food container, as shown and described.

DESCRIPTION

FIG. 1 is a perspective view of the food container of the present invention;

FIG. 2 is a front elevation view of the food container of the present invention;

FIG. 3 is a left elevation view of the food container of the present invention;

FIG. 4 is a right elevation view of the food container of the present invention;

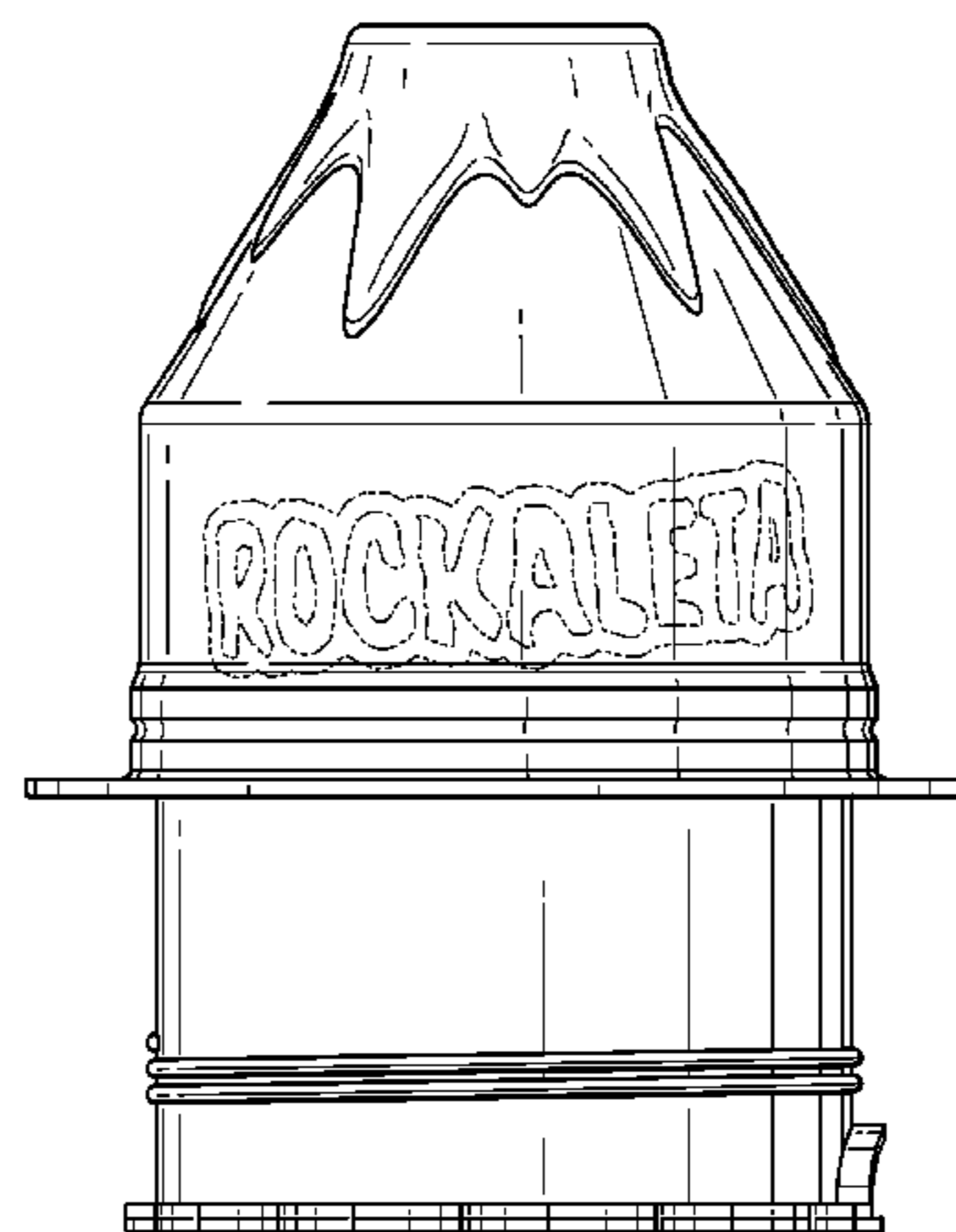
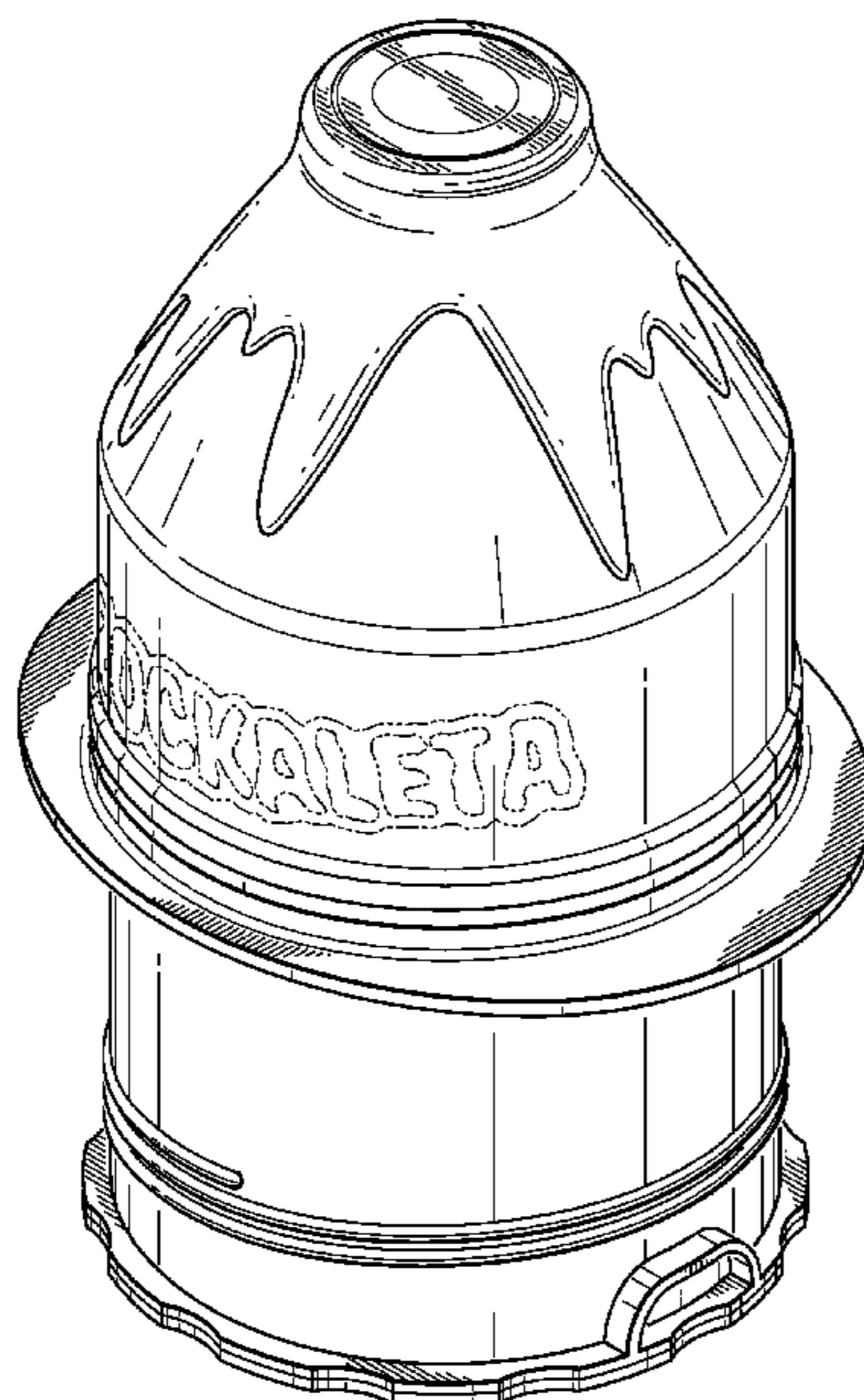
FIG. 5 is a rear elevation view of the food container of the present invention;

FIG. 6 is a top plan view of the food container of the present invention; and,

FIG. 7 is a bottom plan view of the food container of the present invention.

The broken line showing product logos in FIGS. 1 and 2 is for illustrative purposes only and forms no part of the claimed design. The broken line circle on FIG. 7 which defines the bounds of the claimed design forms no part thereof.

1 Claim, 4 Drawing Sheets



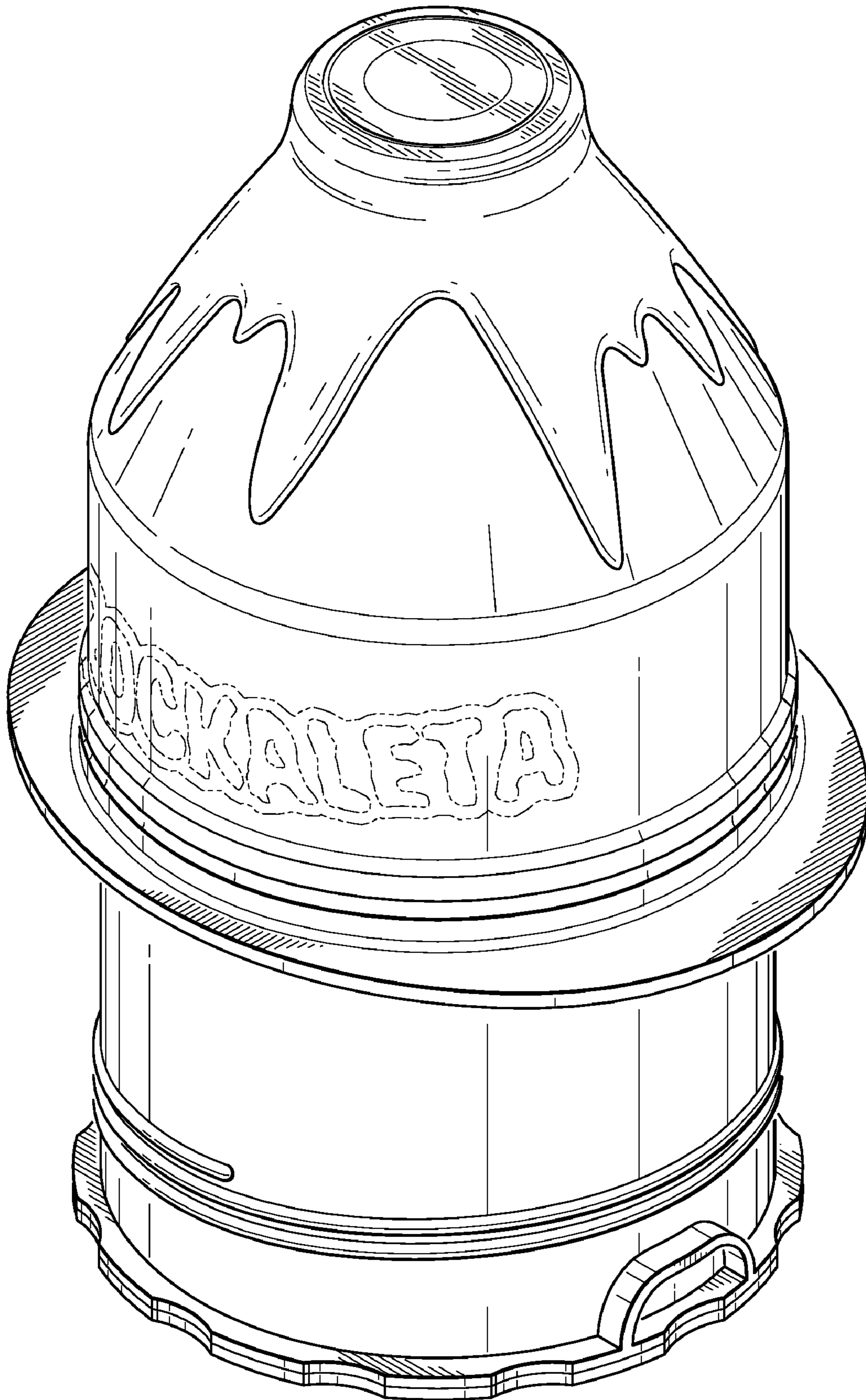


FIG. 1

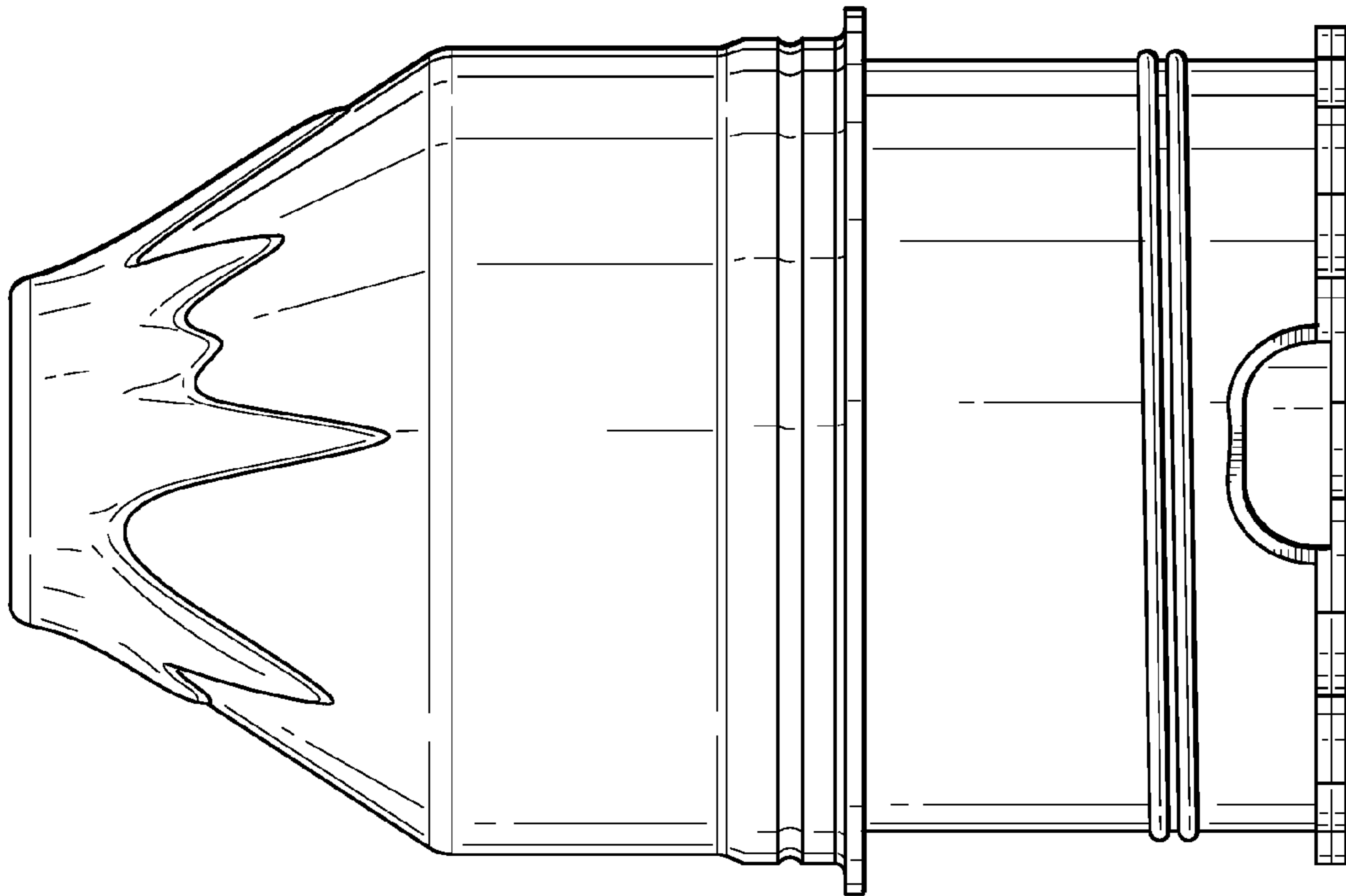


FIG. 3

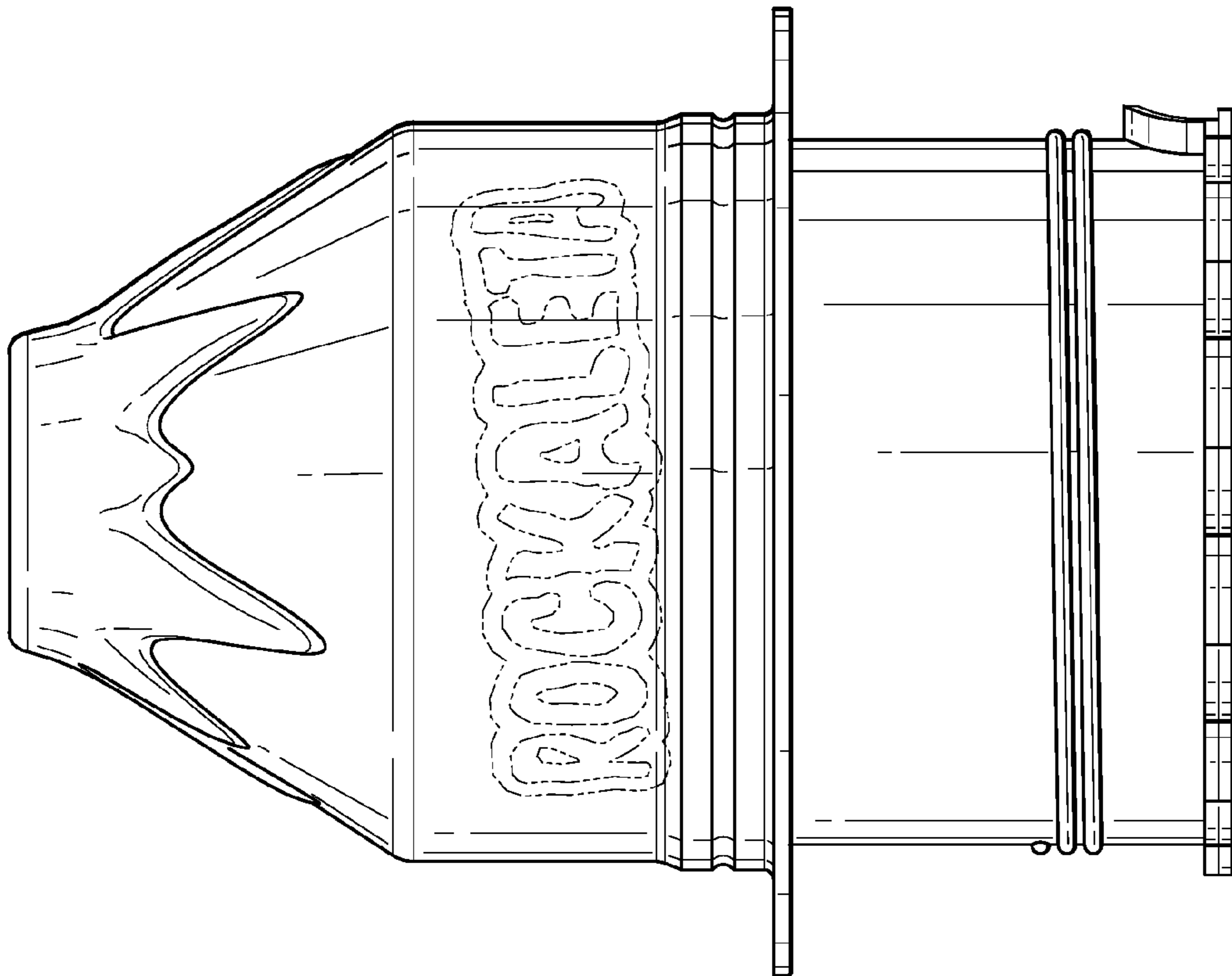


FIG. 2

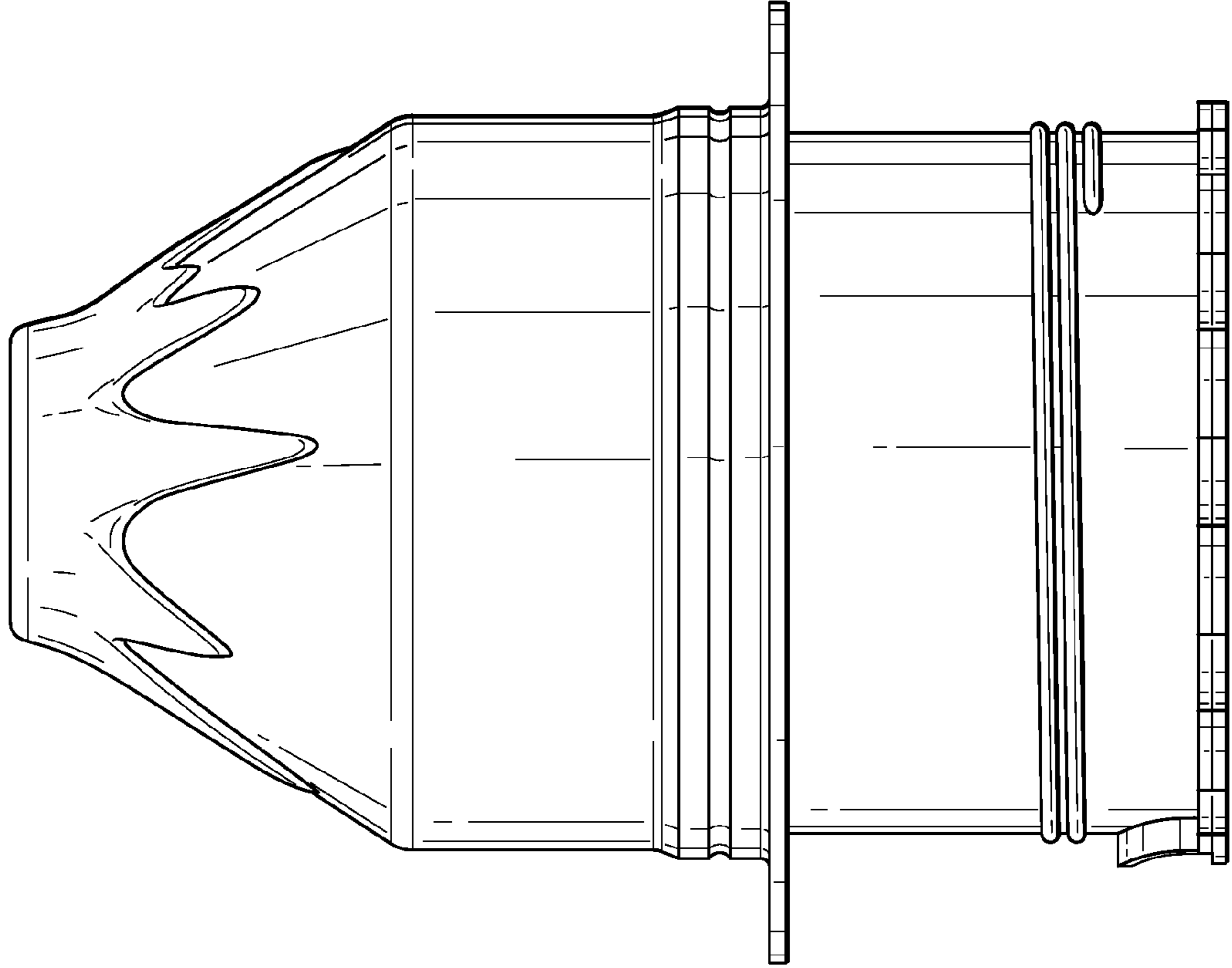


FIG. 4

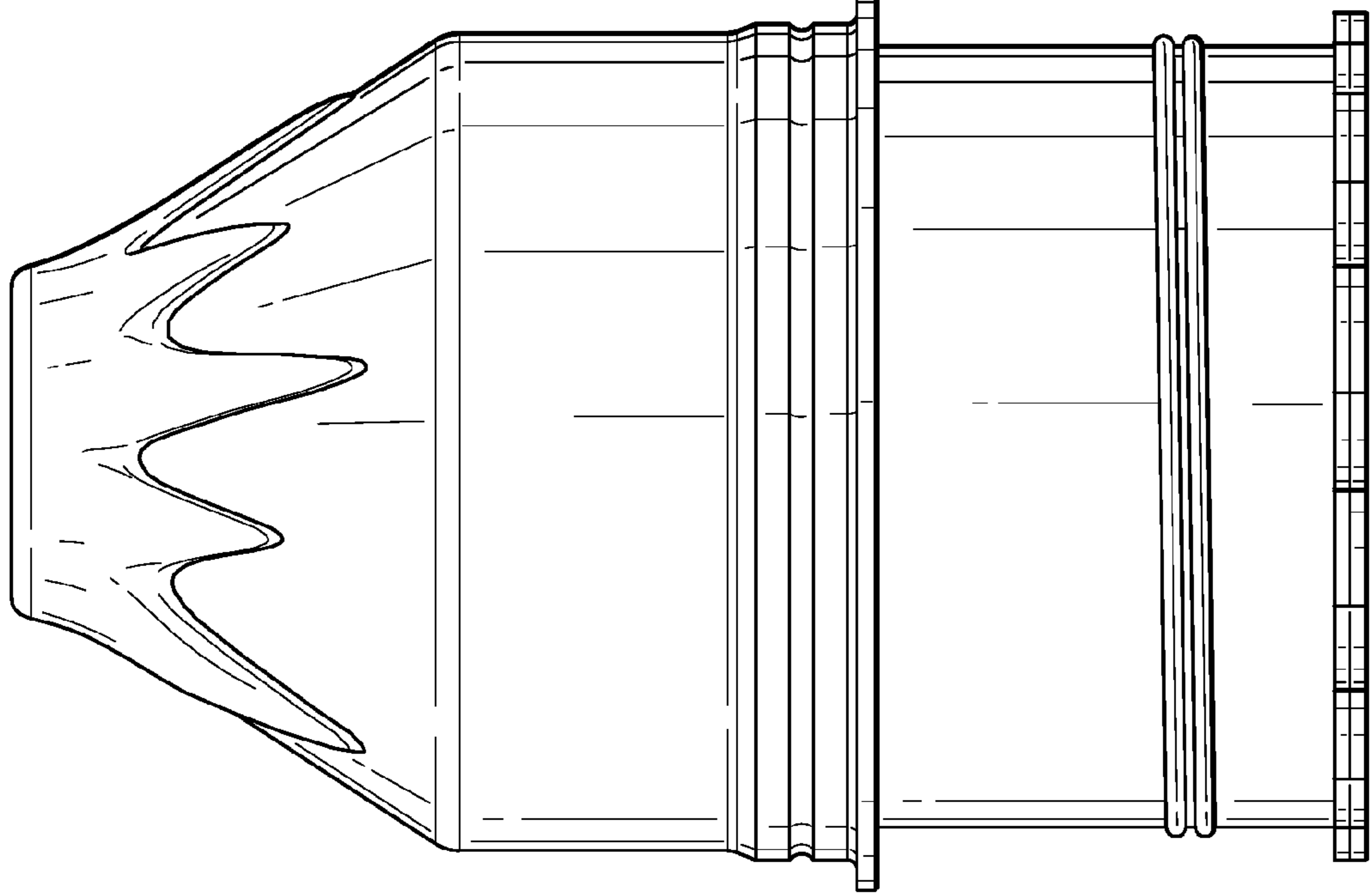


FIG. 5

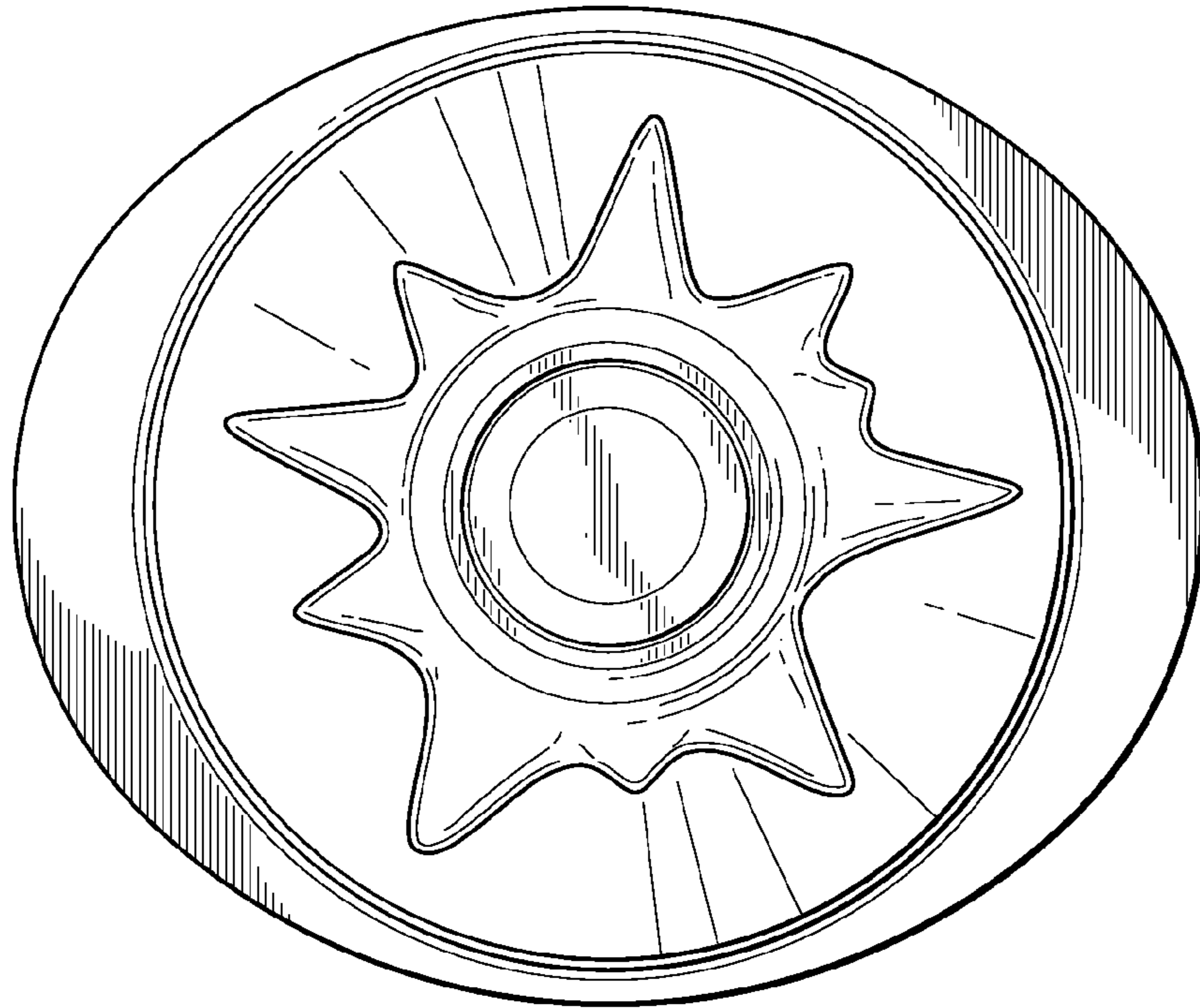


FIG. 6

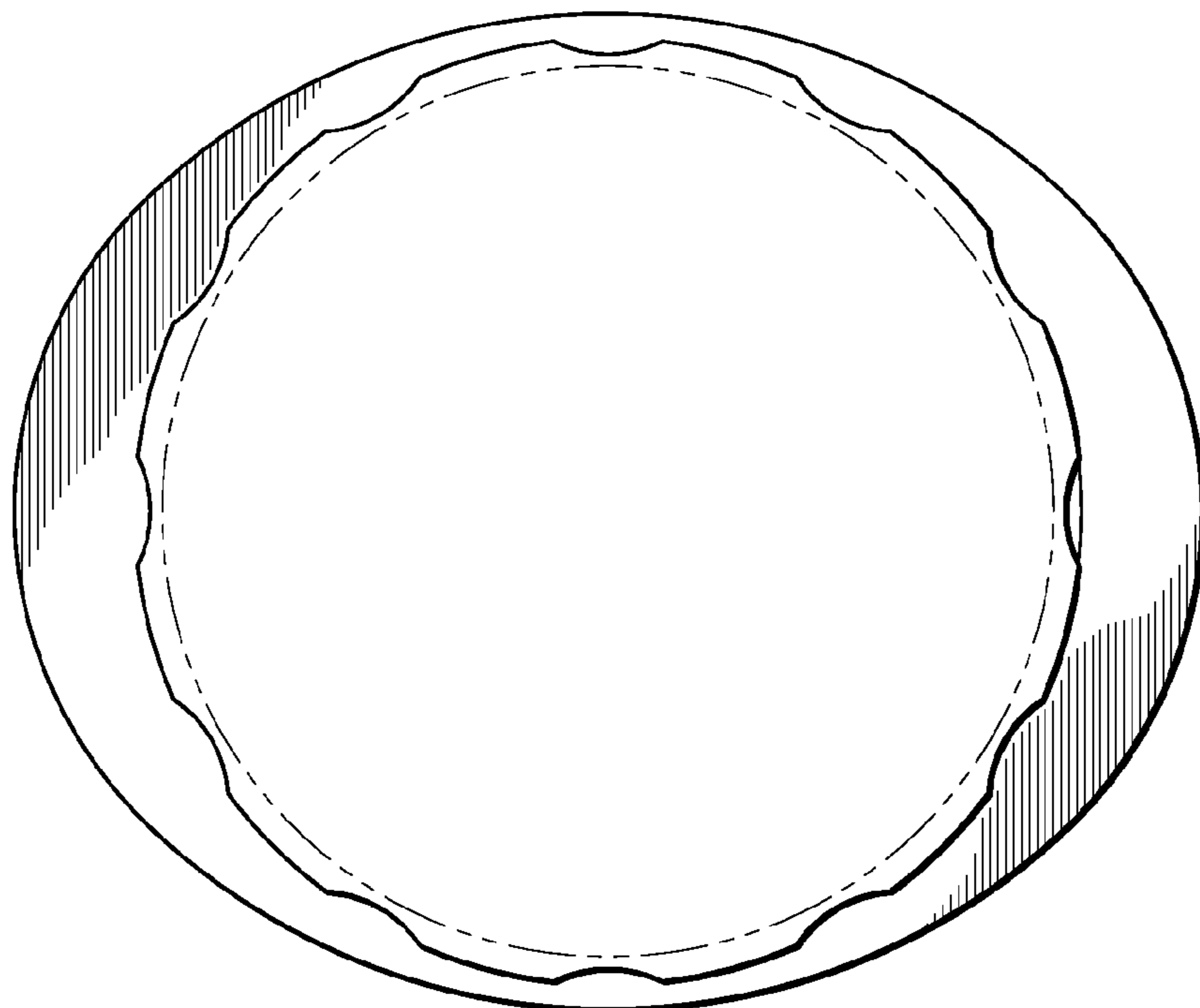


FIG. 7