



US00D551560S

(12) **United States Design Patent**
De Baschmakoff

(10) **Patent No.:** **US D551,560 S**

(45) **Date of Patent:** **** Sep. 25, 2007**

(54) **PERFUME CONTAINER**

D387,282 S * 12/1997 De Baschmakoff D9/545
D422,507 S * 4/2000 Luzzi et al. D9/544
D429,646 S * 8/2000 Goettner D9/529

(75) Inventor: **Thierry De Baschmakoff**, Paris (FR)

(73) Assignee: **Bulgari S.p.A.**, Rome (IT)

(**) Term: **14 Years**

(21) Appl. No.: **29/211,431**

(22) Filed: **Aug. 16, 2004**

(30) **Foreign Application Priority Data**

May 12, 2004 (WO) DM/065 356

(51) **LOC (8) Cl.** **09-01**

(52) **U.S. Cl.** **D9/558**

(58) **Field of Classification Search** D9/454,
D9/516, 529, 542, 544-546, 553, 558, 566,
D9/571-574, 682, 686, 687, 692-694, 900,
D9/904; 215/382-384

See application file for complete search history.

(56) **References Cited**

U.S. PATENT DOCUMENTS

D146,713 S * 4/1947 Genske D9/545
D277,455 S * 2/1985 Tordjman D9/546
D360,137 S * 7/1995 De Baschmakoff D9/545

* cited by examiner

Primary Examiner—Stella Reid
Assistant Examiner—Keli L. Acker

(74) *Attorney, Agent, or Firm*—Reising, Ethington, Barnes,
Kisselle, P.C.

(57) **CLAIM**

The ornamental design for a perfume container, as shown
and described.

DESCRIPTION

FIG. 1 is a front elevation view of a perfume container,
embodying my new design;

FIG. 2 is a left side view thereof;

FIG. 3 is a rear elevation view thereof;

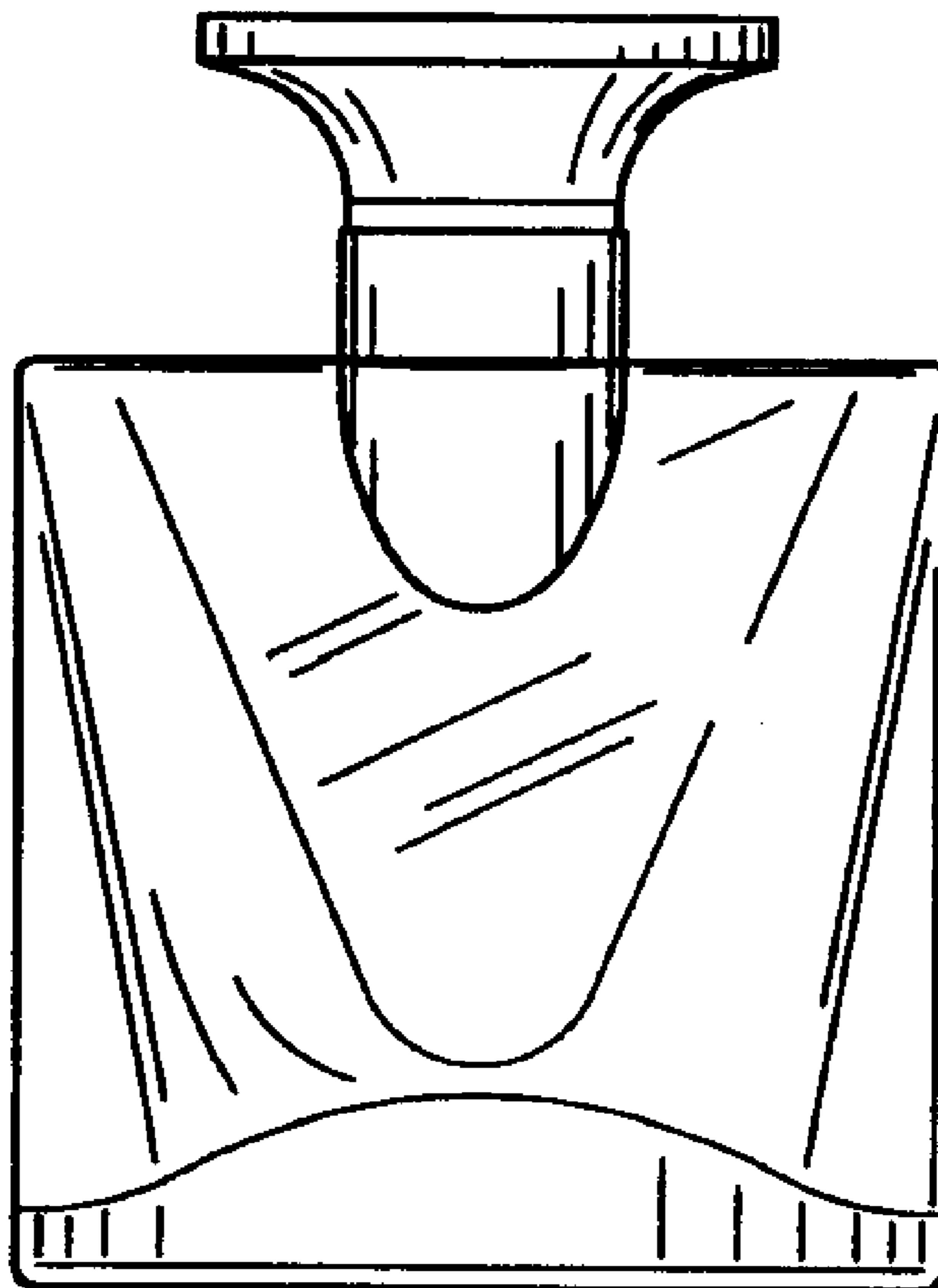
FIG. 4 is a right side view thereof;

FIG. 5 is a top plan view thereof;

FIG. 6 is a bottom plan view thereof; and,

FIG. 7 is a perspective view thereof.

1 Claim, 1 Drawing Sheet



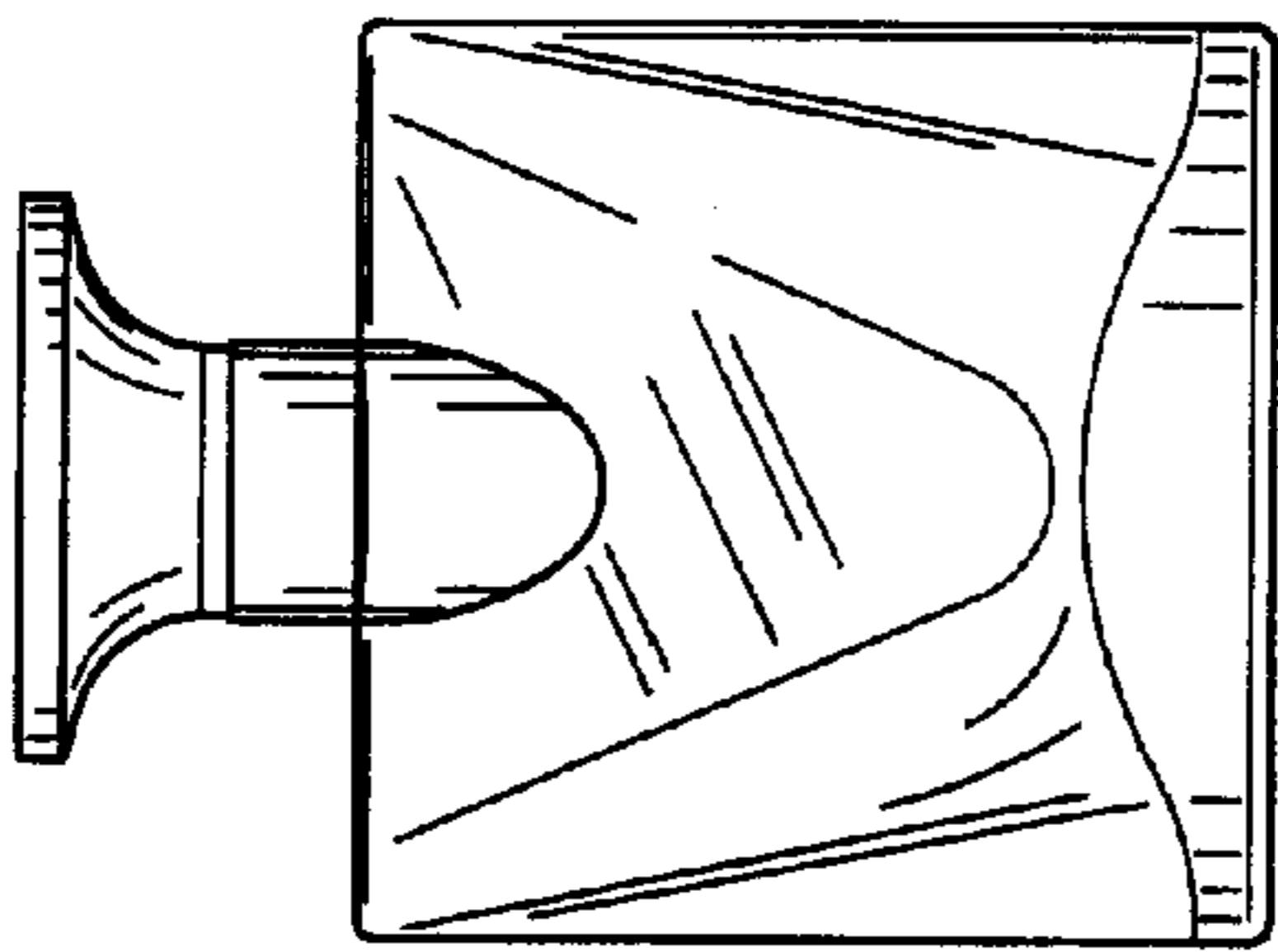


FIG. 1

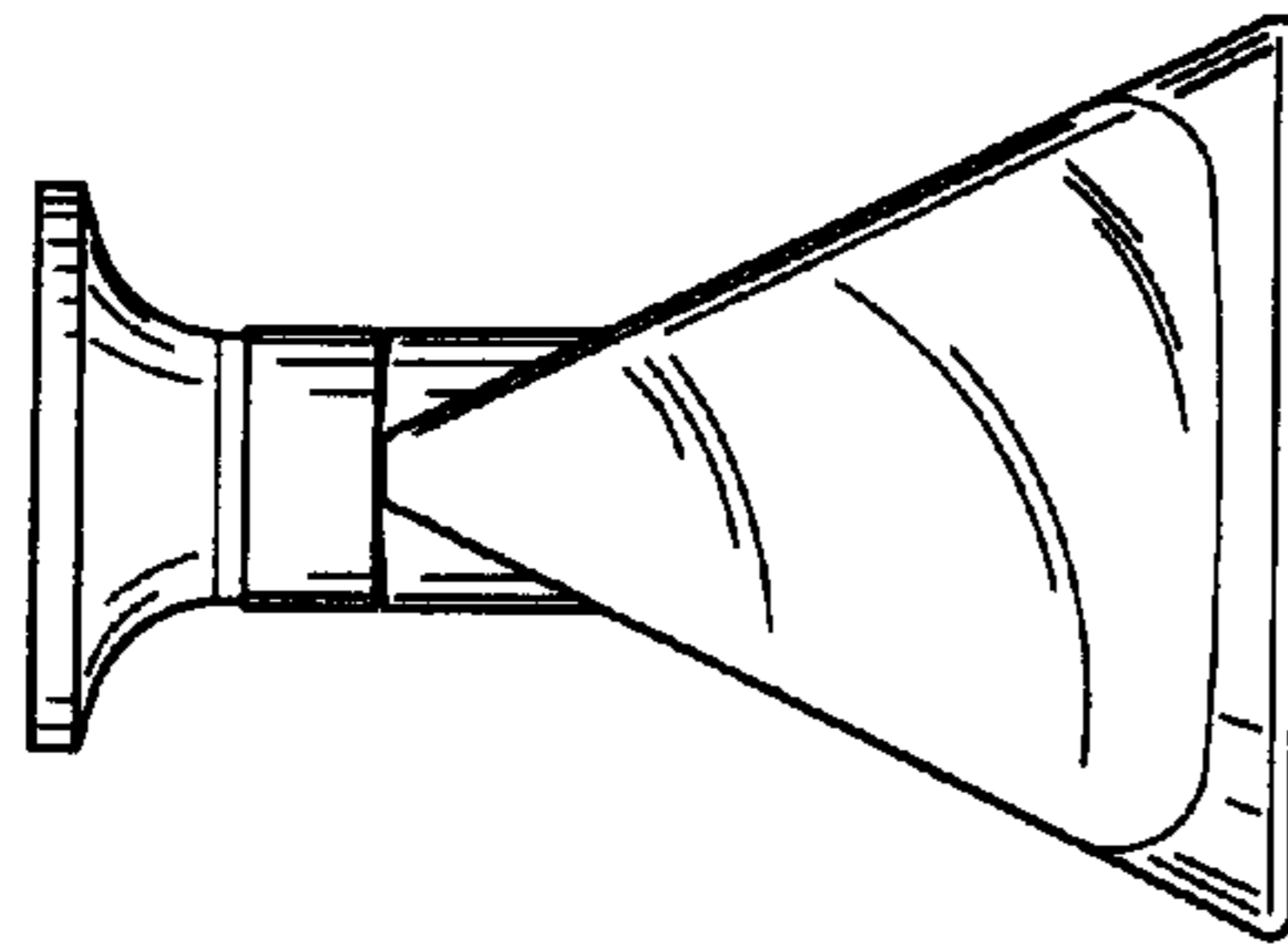


FIG. 2

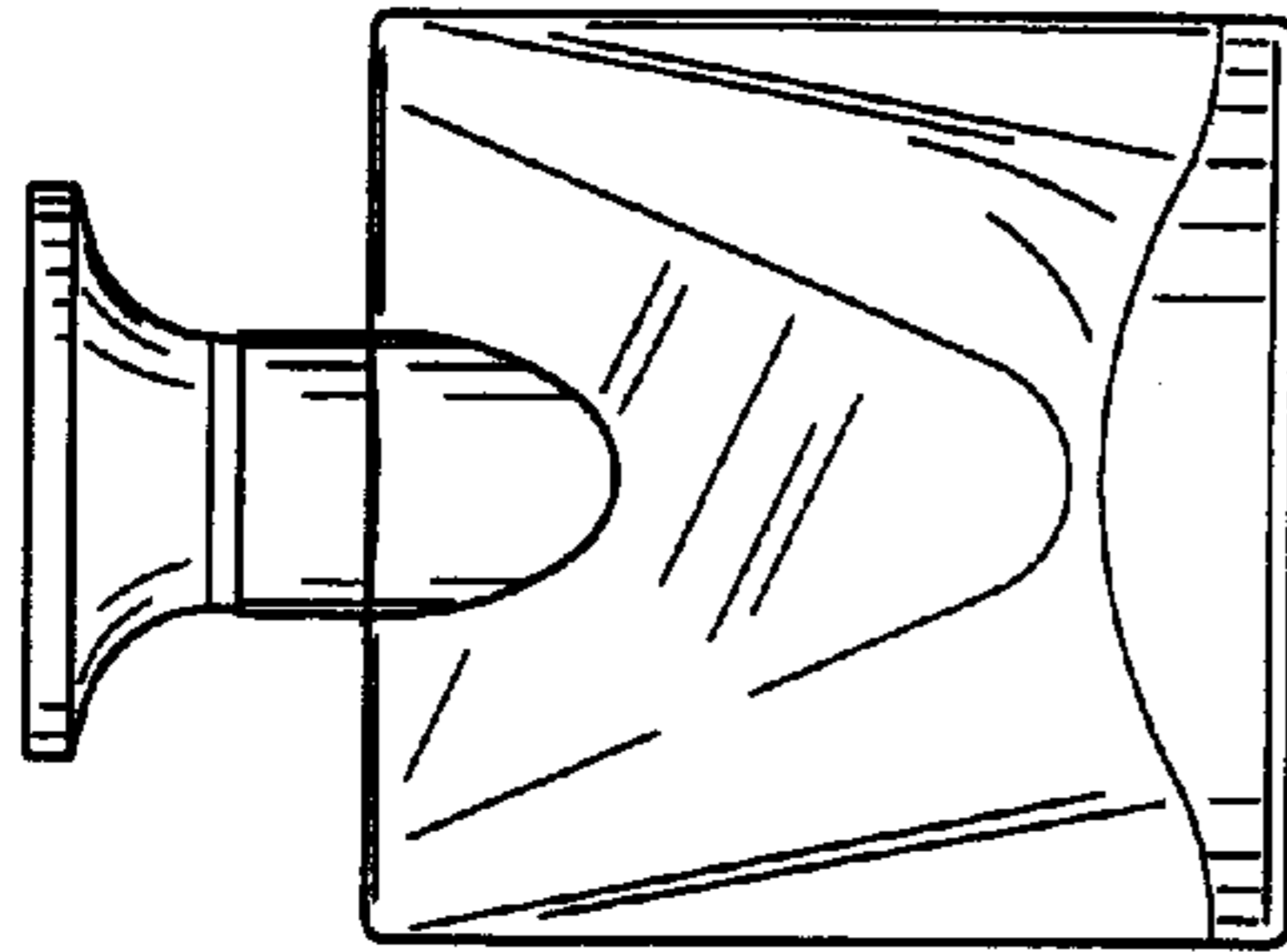


FIG. 3

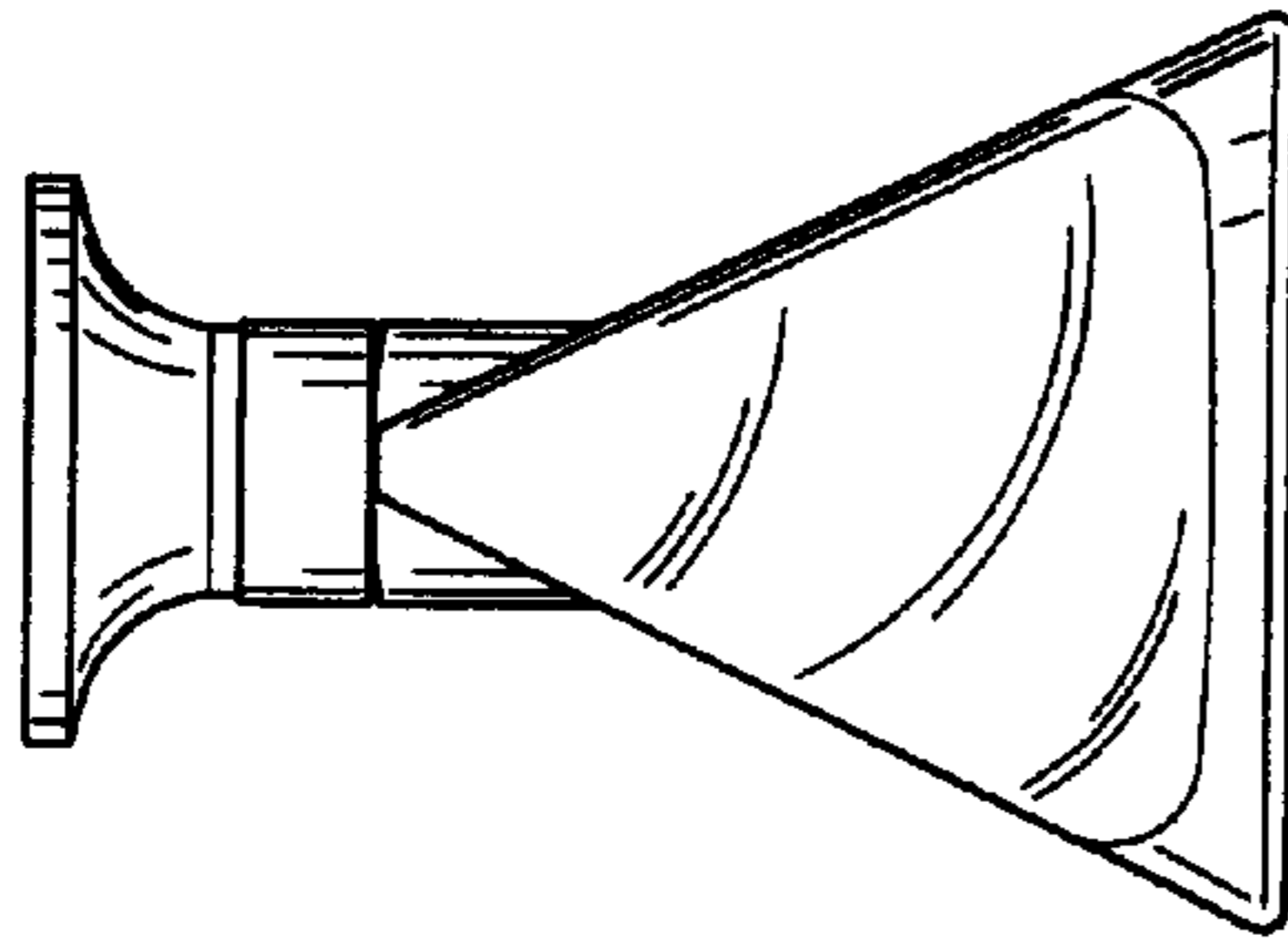


FIG. 4

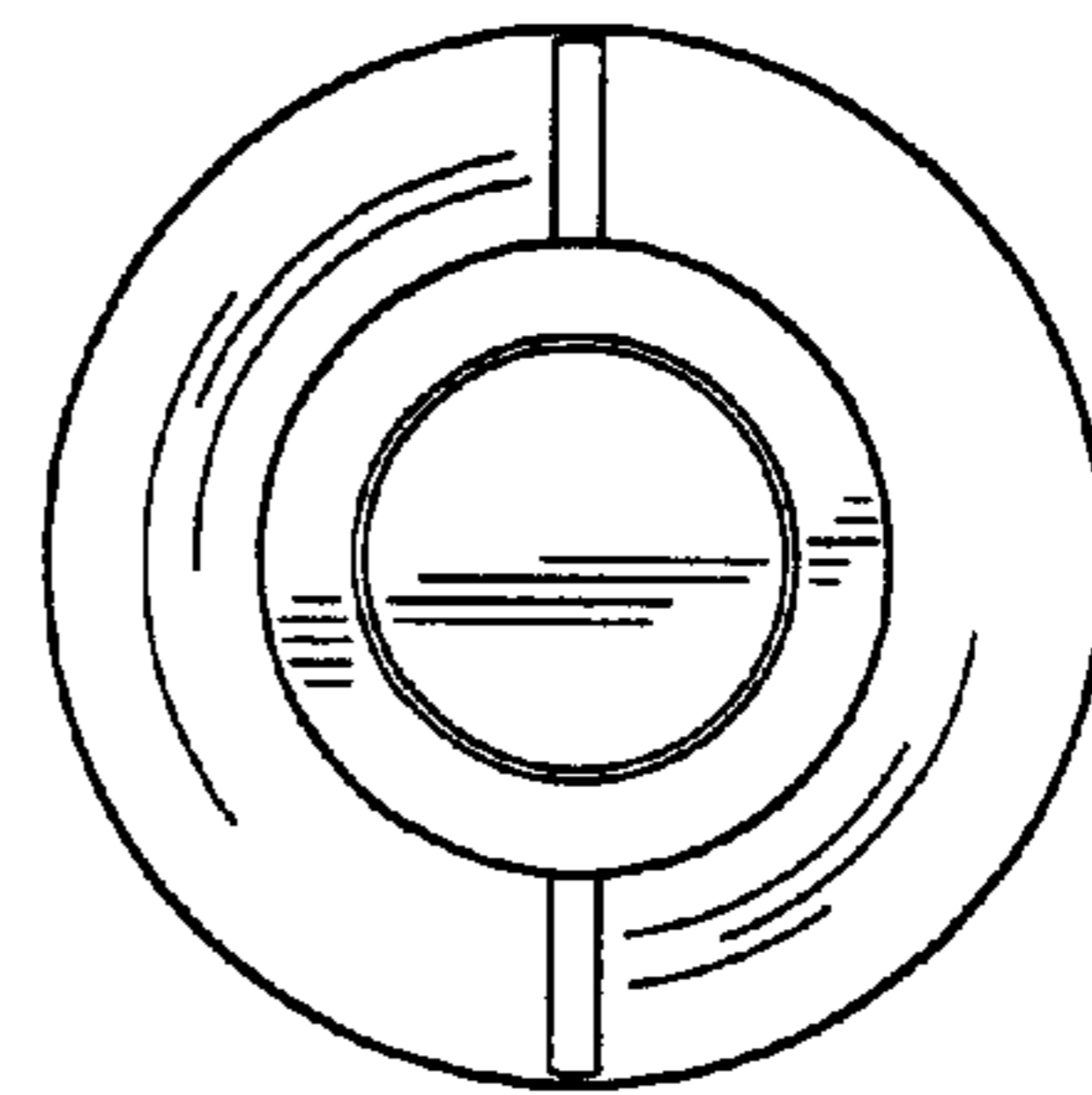


FIG. 5

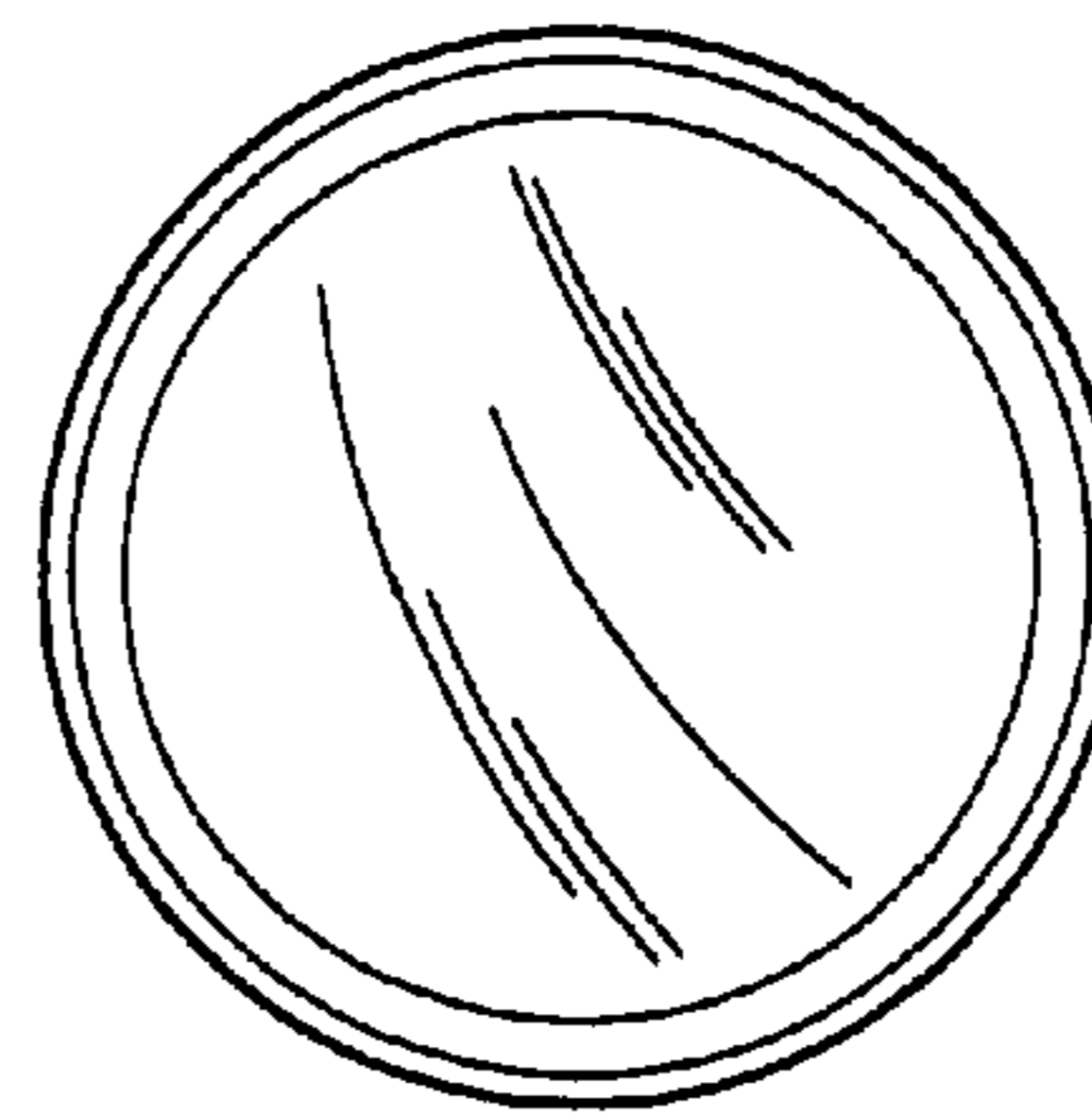


FIG. 6

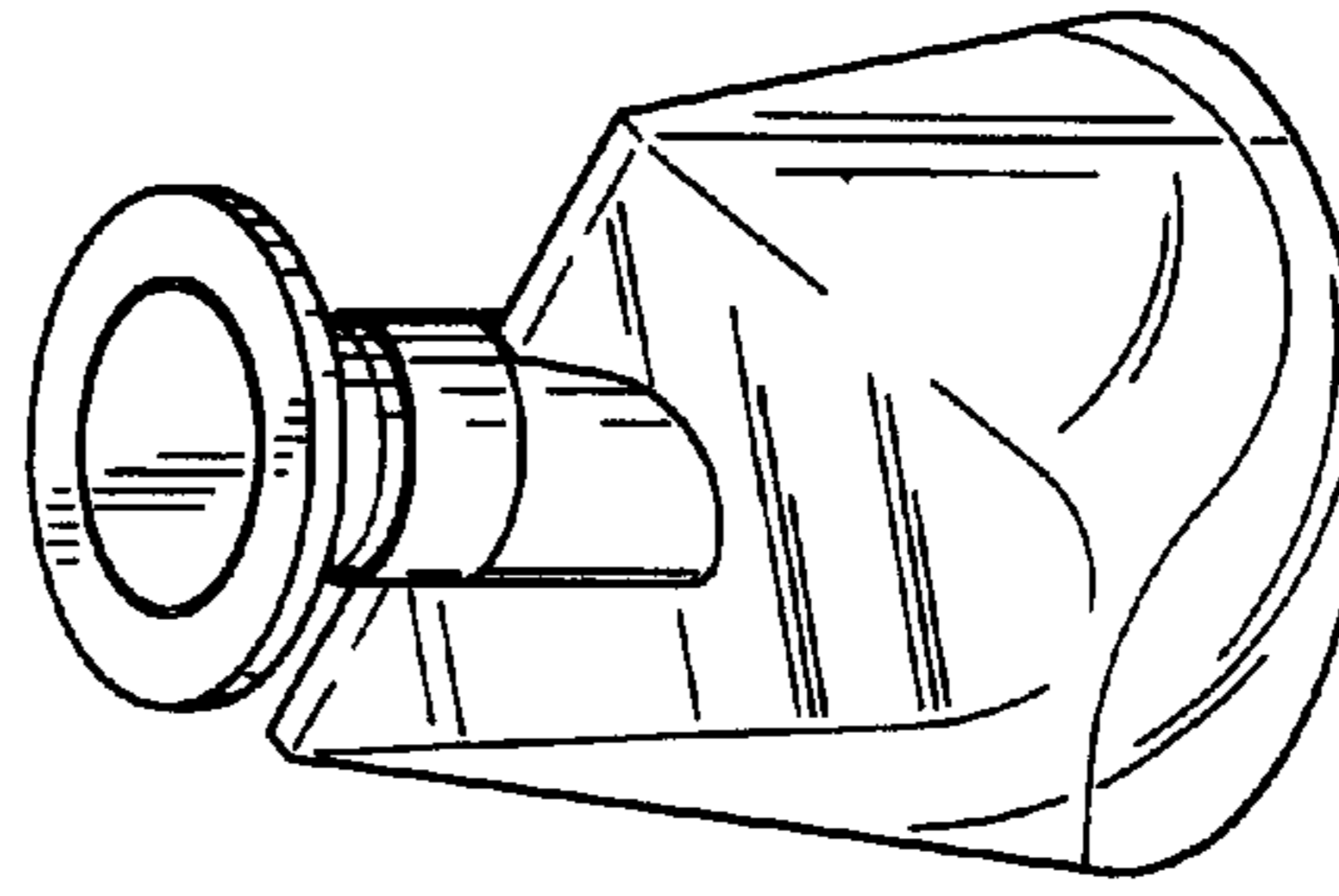


FIG. 7