



US00D551558S

(12) **United States Design Patent** (10) **Patent No.:** **US D551,558 S**  
**Lundberg** (45) **Date of Patent:** **\*\* Sep. 25, 2007**

- (54) **BOTTLE**
- (75) Inventor: **Jonas Lundberg**, Stockholm (SE)
- (73) Assignee: **Svensk Export Vodka AB** (SE)
- (\*\*) Term: **14 Years**
- (21) Appl. No.: **29/257,100**
- (22) Filed: **Mar. 29, 2006**
- (30) **Foreign Application Priority Data**  
Sep. 29, 2005 (EM) ..... 000408158
- (51) **LOC (8) Cl.** ..... **09-01**
- (52) **U.S. Cl.** ..... **D9/552**
- (58) **Field of Classification Search** ..... D9/500,  
D9/503, 505, 516, 544-545, 549, 551, 554,  
D9/558, 564, 567, 652, 682, 686, 688-692;  
215/379-383; 220/660-662, 669-675  
See application file for complete search history.

- (56) **References Cited**  
U.S. PATENT DOCUMENTS  
D258,202 S \* 2/1981 Astor et al. .... D9/503  
D386,401 S \* 11/1997 Prestia et al. .... D9/552  
D491,066 S \* 6/2004 Le Goff ..... D9/500  
D509,433 S \* 9/2005 Trayser et al. .... D9/501

D526,197 S \* 8/2006 Lauret ..... D9/505  
D529,394 S \* 10/2006 Nagata ..... D9/658

**FOREIGN PATENT DOCUMENTS**

EM 000137997-0001 \* 2/2004

\* cited by examiner

*Primary Examiner*—Ian Simmons

*Assistant Examiner*—Dana Sipos

(74) *Attorney, Agent, or Firm*—Moore & Van Allen PLC;  
Michael G. Johnston

(57) **CLAIM**

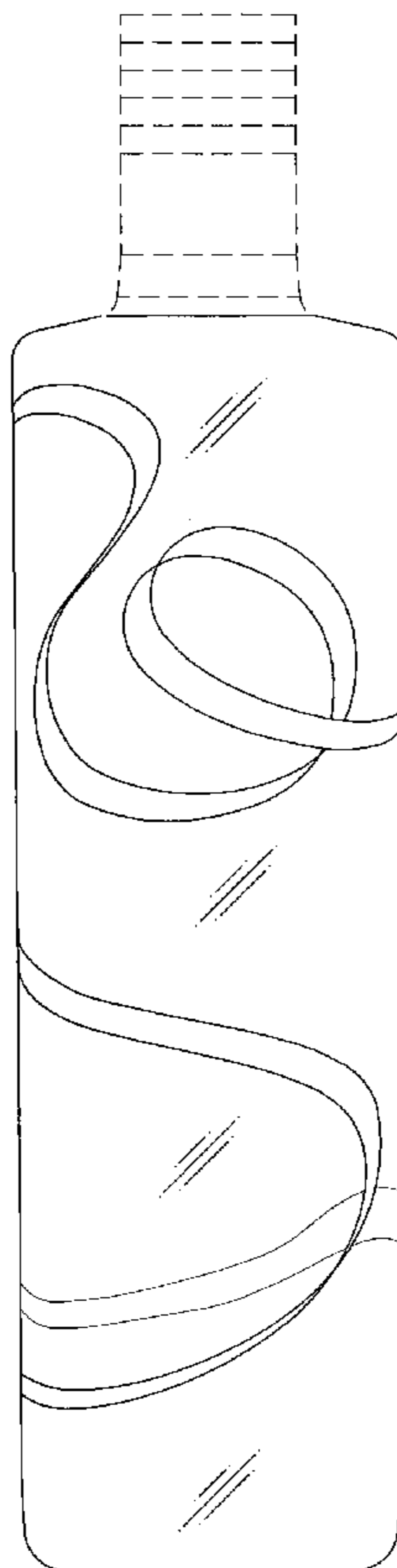
The ornamental design for a bottle, as shown and described.

**DESCRIPTION**

FIG. 1 is a front elevational view showing my new design;  
FIG. 2 is a right side elevational view thereof;  
FIG. 3 is a left side elevational view thereof;  
FIG. 4 is a rear elevational view thereof;  
FIG. 5 is a top plan view thereof; and,  
FIG. 6 is a bottom plan view thereof.

The broken lines shown in the drawings are for illustrative purposes only and form no part of the claimed design.

**1 Claim, 3 Drawing Sheets**



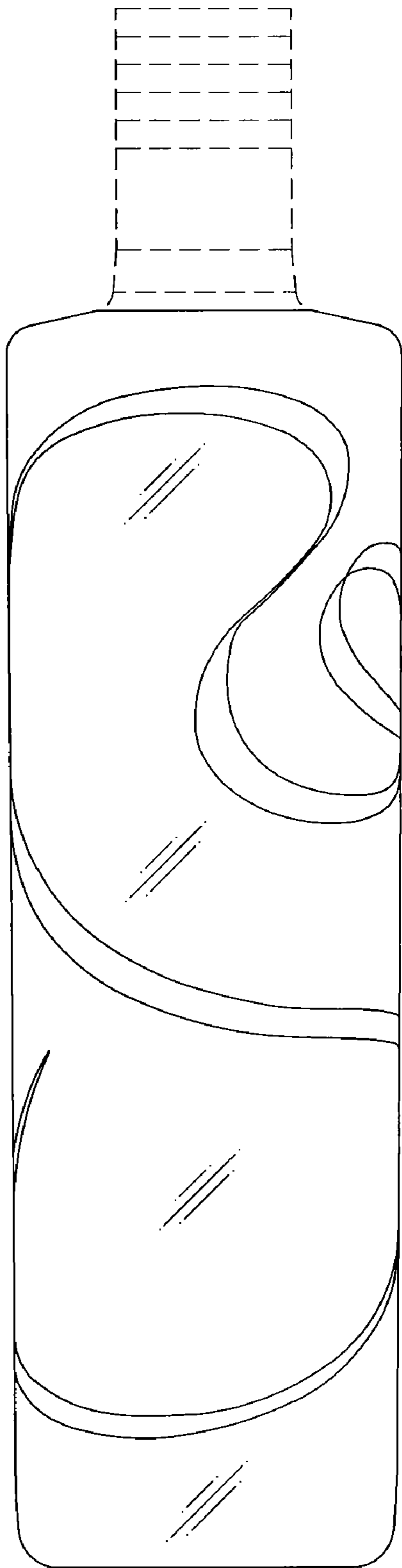


FIG. 1

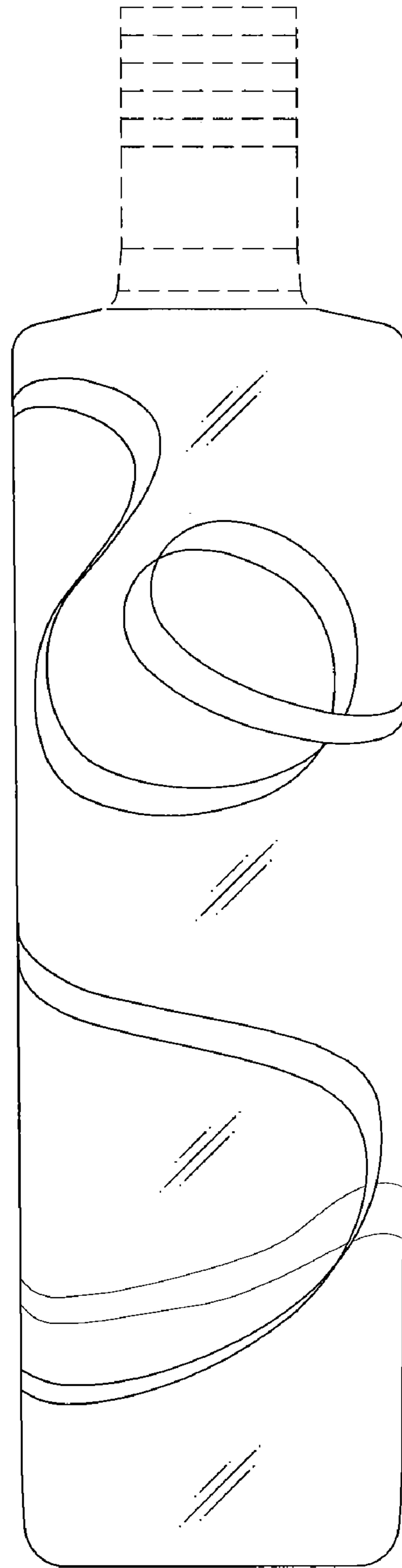


FIG. 2

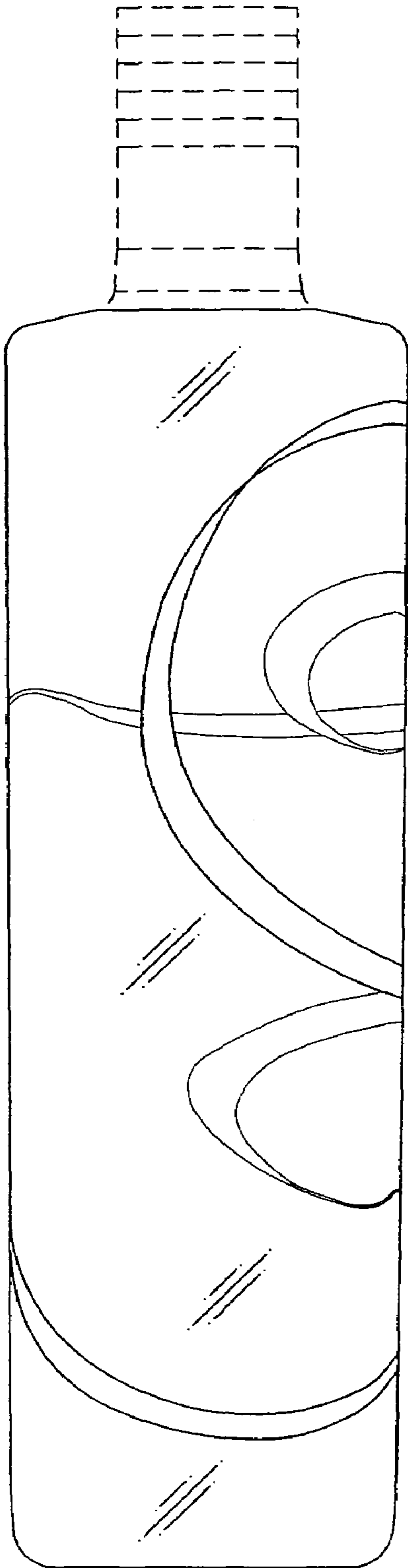


FIG. 3

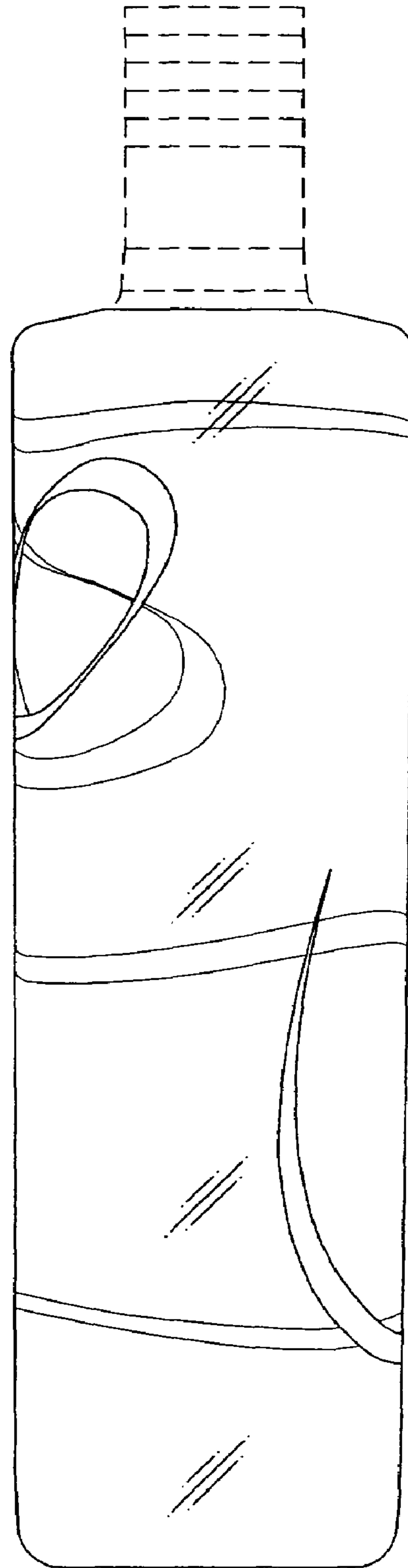


FIG. 4

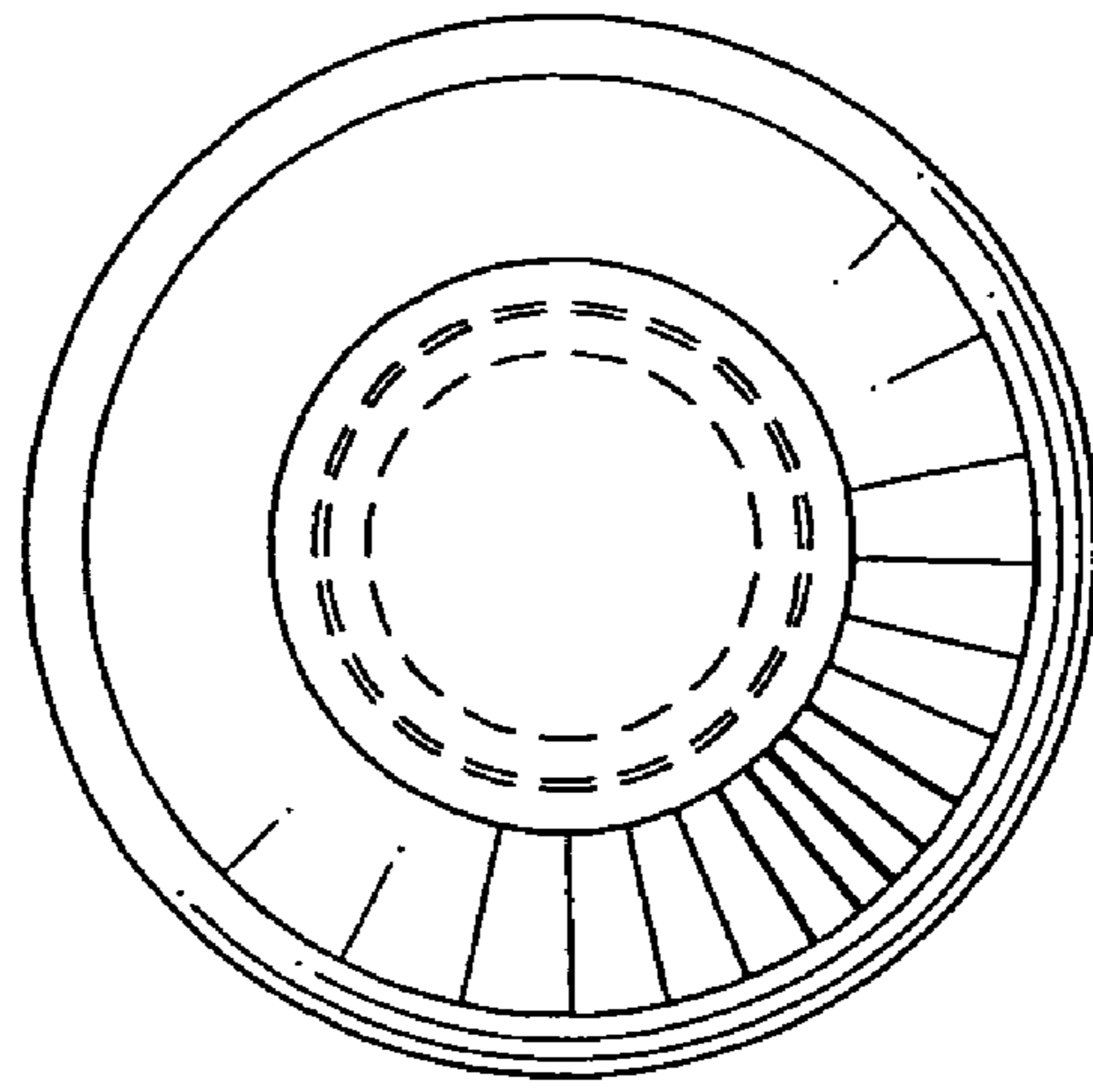


FIG. 5

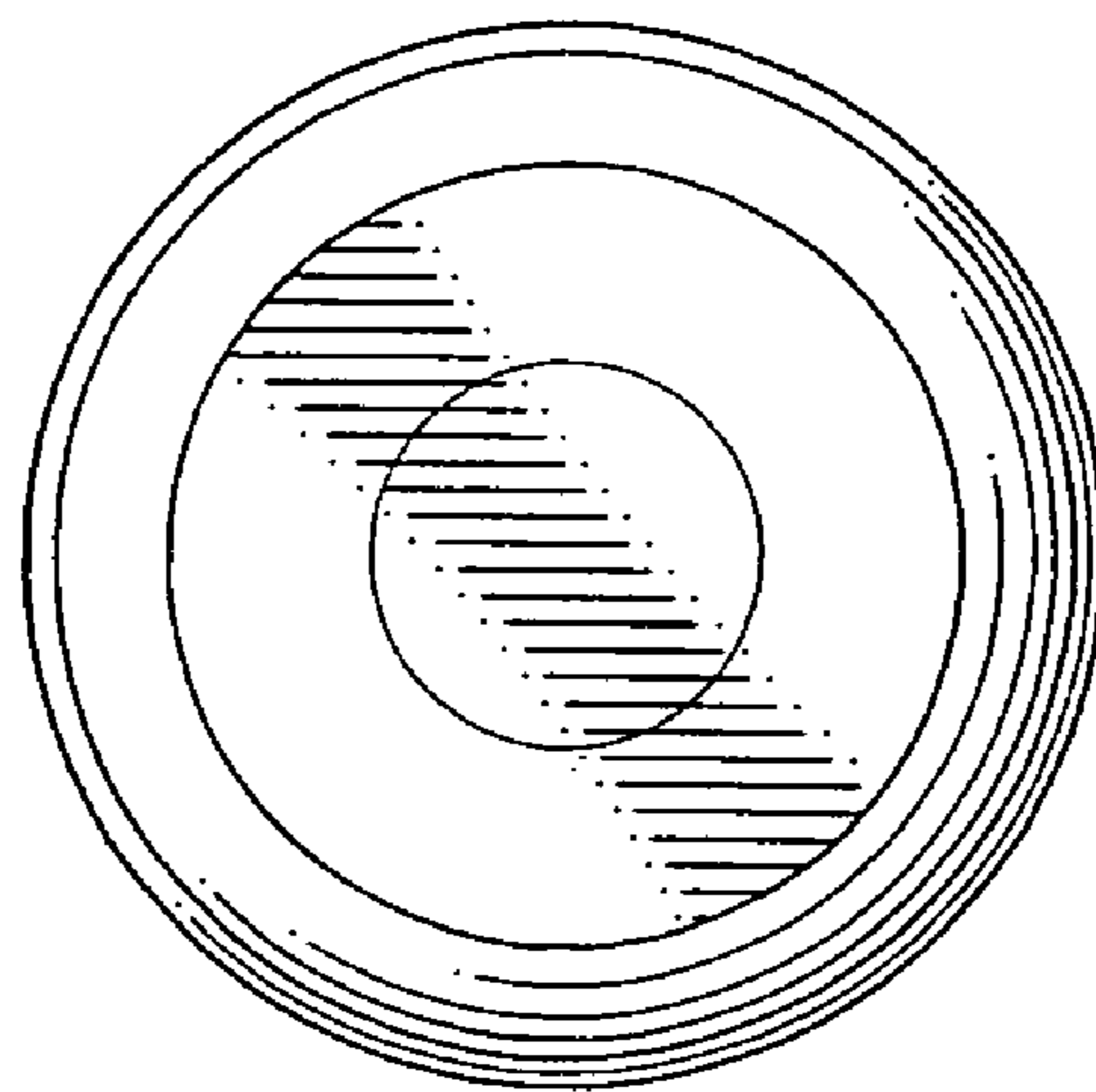


FIG. 6