



US00D551550S

(12) **United States Design Patent**  
**Noonan**

(10) **Patent No.:** **US D551,550 S**

(45) **Date of Patent:** **\*\* Sep. 25, 2007**

(54) **CAP COMPONENT**

(75) **Inventor:** **Michael Patrick Noonan**, Auckland (NZ)

(73) **Assignee:** **Alto Holdings Limited**, Auckland (NZ)

(\*\*) **Term:** **14 Years**

(21) **Appl. No.:** **29/253,047**

(22) **Filed:** **Feb. 1, 2006**

(30) **Foreign Application Priority Data**

Aug. 1, 2005 (NZ) ..... 406455

(51) **LOC (8) Cl.** ..... **09-07**

(52) **U.S. Cl.** ..... **D9/454**

(58) **Field of Classification Search** ..... D9/708,  
D9/705, 558, 520, 499, 435, 447, 445, 440,  
D9/439; D18/43; 222/95, 92, 88, 23, 105;  
215/41, 40, 381, 375, 373; D3/202; D7/387,  
D7/397, 412, 415

See application file for complete search history.

(56) **References Cited**

**U.S. PATENT DOCUMENTS**

D216,386 S \* 12/1969 Suggs ..... D9/434

D228,022 S \* 7/1973 Sietmann ..... D7/412  
D262,192 S \* 12/1981 Wedge ..... D9/435  
D328,252 S \* 7/1992 Miyake ..... D9/439  
D329,379 S \* 9/1992 Jorgensen et al. .... D9/434

\* cited by examiner

*Primary Examiner*—Robert M. Spear

*Assistant Examiner*—Susan Bennett Hattan

(74) *Attorney, Agent, or Firm*—Jacobson Holman PLLC

(57) **CLAIM**

I claim the ornamental design of a cap component, as shown and described.

**DESCRIPTION**

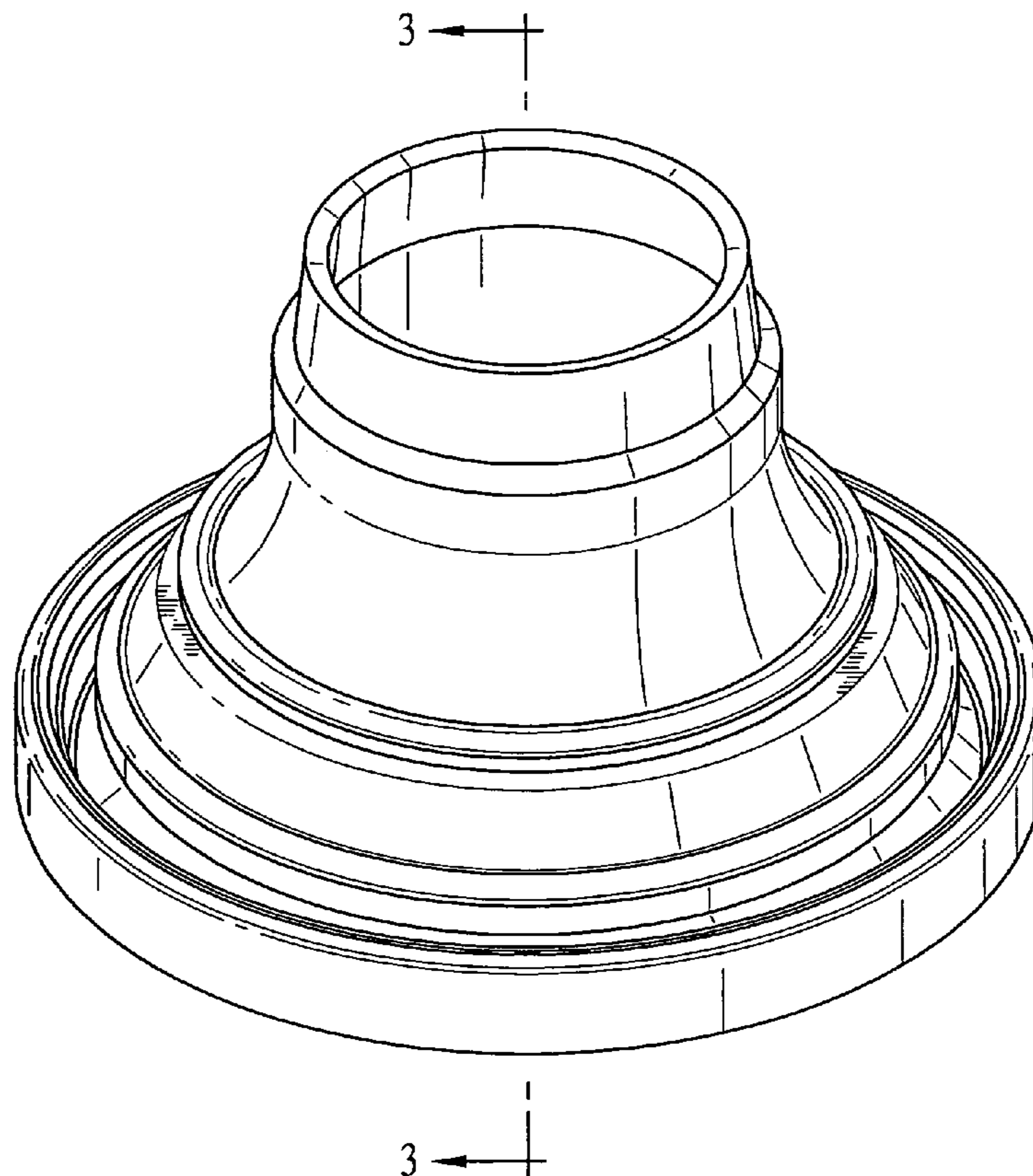
FIG. 1 is a front perspective of the cap component as molded;

FIG. 2 is a perspective view of the cap component of FIG. 1 as reconfigured;

FIG. 3 is a cross-sectional elevational view of the cap component of FIG. 1 as molded taken in the direction of line 3—3 in FIG. 1; and,

FIG. 4 is a cross-sectional view of FIG. 2 showing the reconfiguration taken in the direction of line 4—4 in FIG. 2.

**1 Claim, 4 Drawing Sheets**



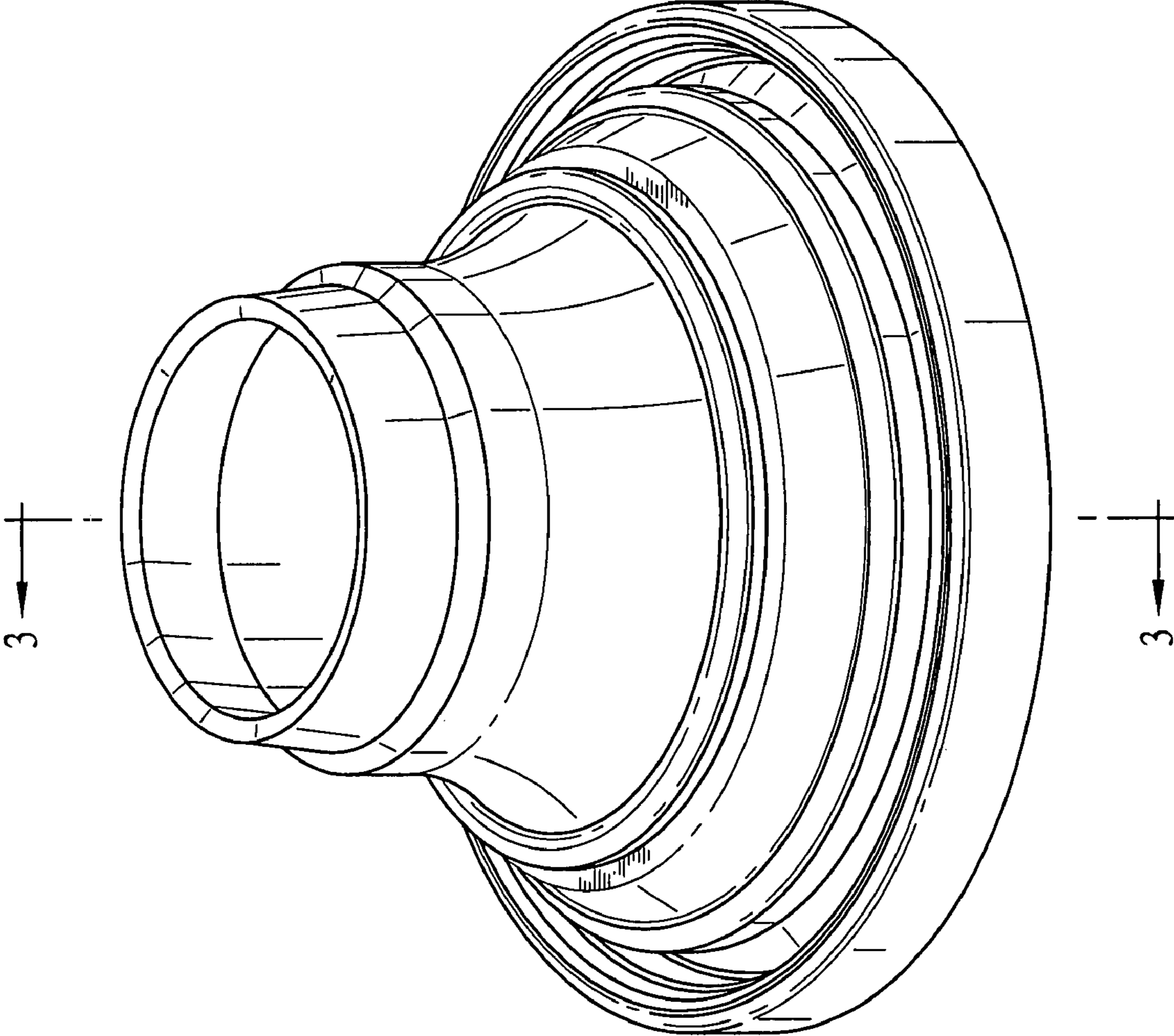


FIG. 1

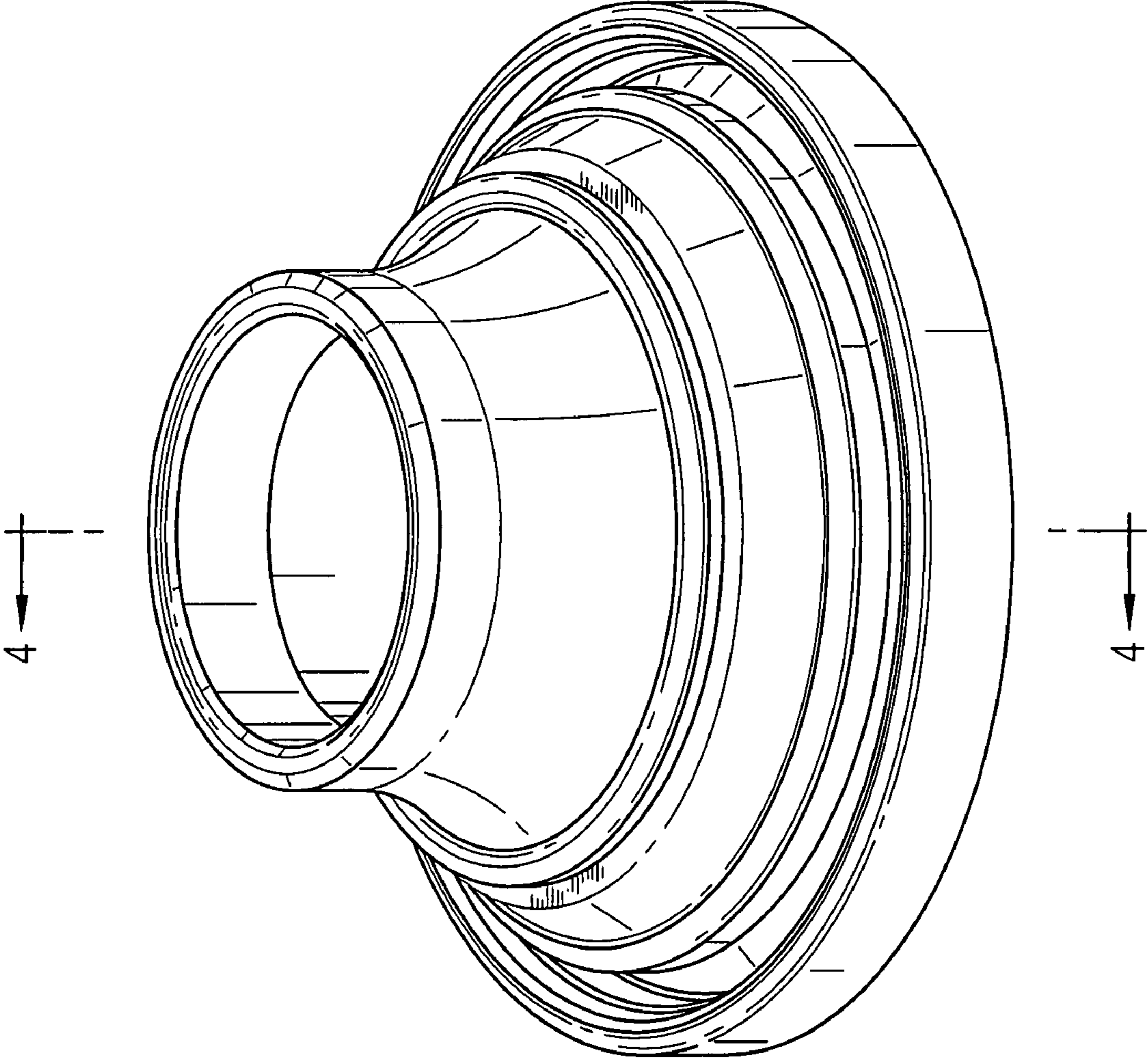


FIG. 2

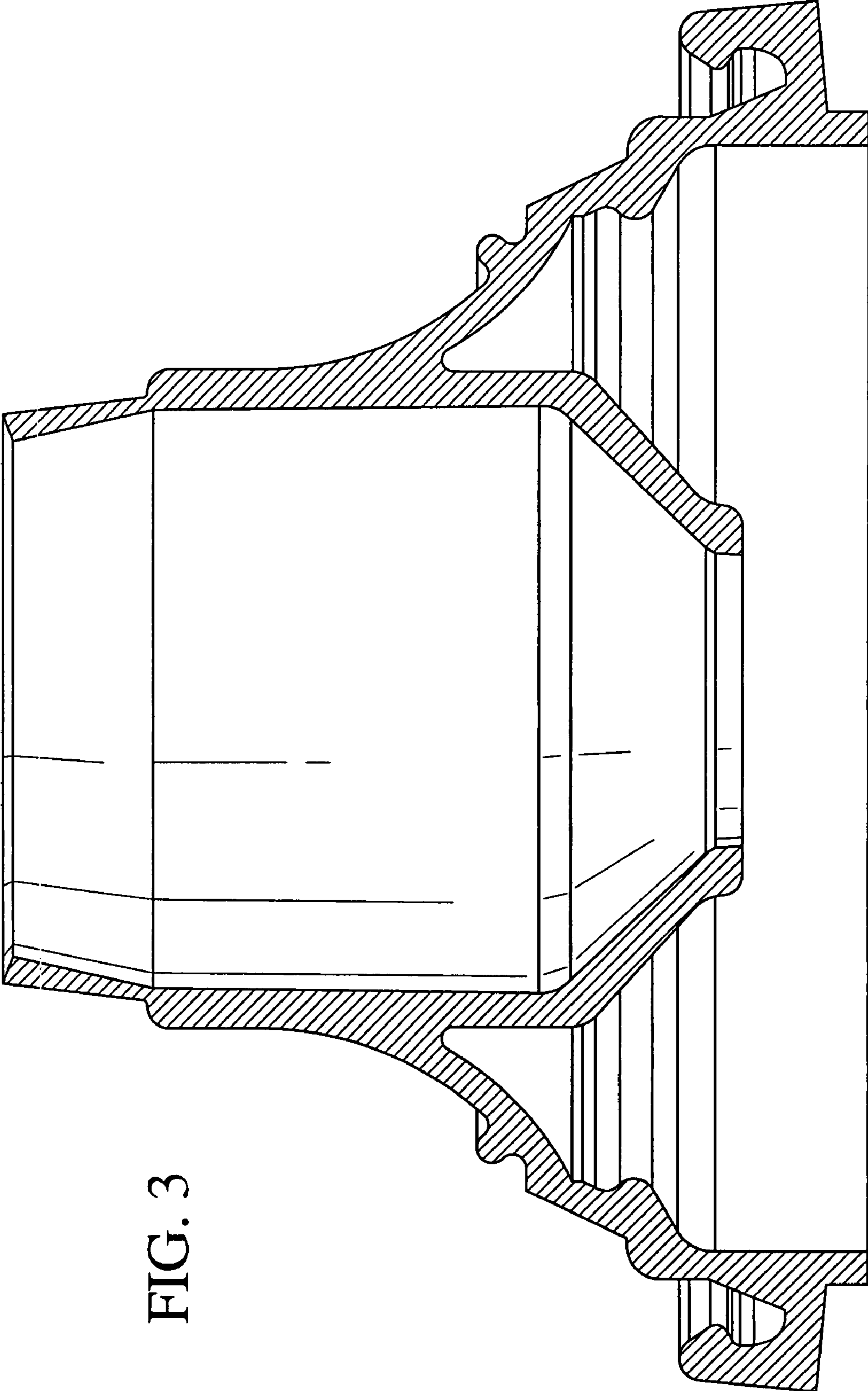


FIG. 3

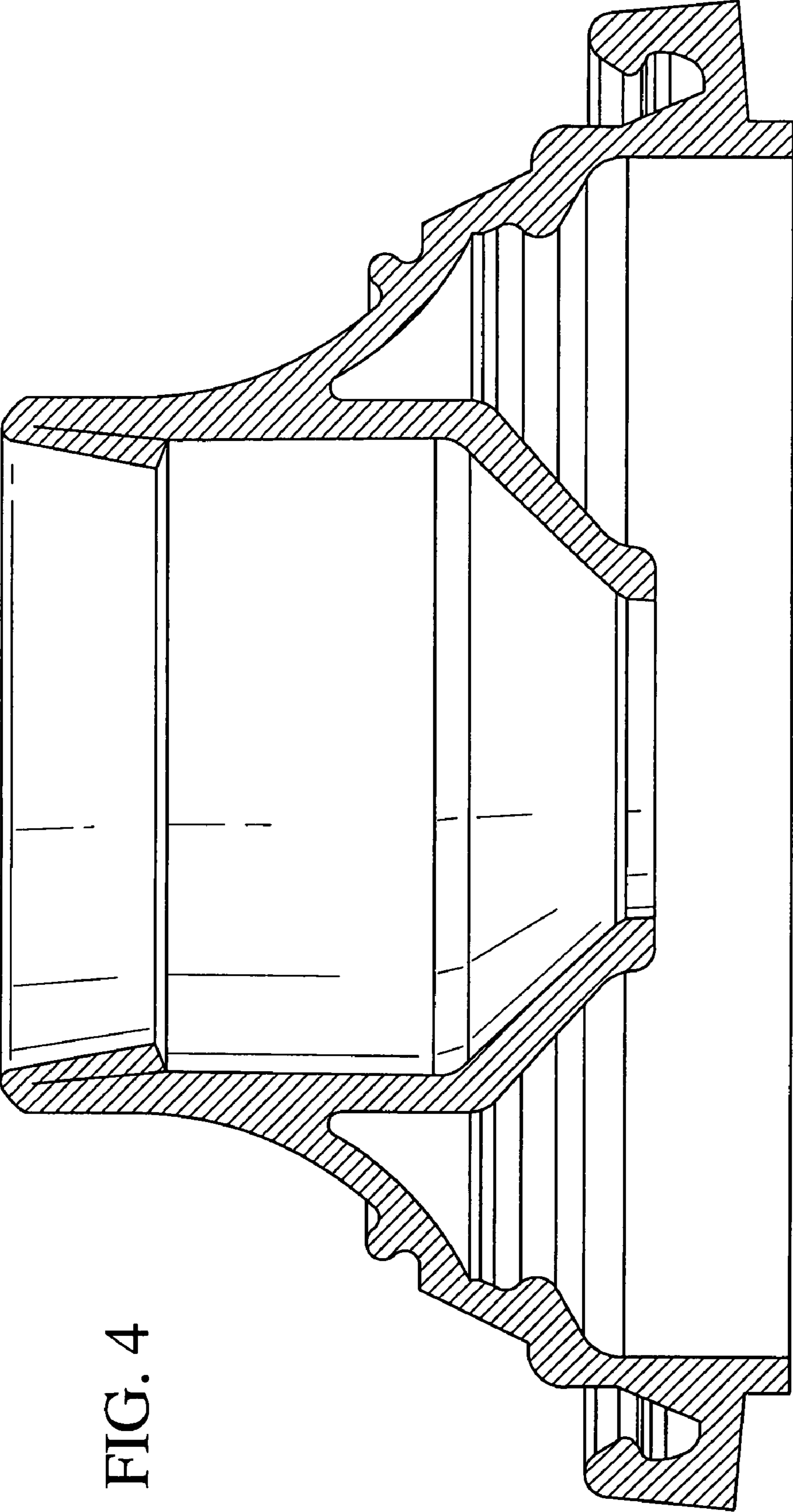


FIG. 4