



US00D551548S

(12) **United States Design Patent**  
**Didier**

(10) **Patent No.:** **US D551,548 S**

(45) **Date of Patent:** **\*\* Sep. 25, 2007**

(54) **BOTTLE STOPPER**

(75) Inventor: **Rica Didier**, Le Mont Saint Adrien  
(FR)

(73) Assignee: **Saverglass Inc.**, New Rochelle, NY  
(US)

(\*\*) Term: **14 Years**

(21) Appl. No.: **29/239,419**

(22) Filed: **Sep. 30, 2005**

(51) **LOC (8) Cl.** ..... **09-07**

(52) **U.S. Cl.** ..... **D9/439**

(58) **Field of Classification Search** ..... D9/718,  
D9/715, 547, 545, 544, 454, 447, 440, 439,  
D9/436, 435, 434; D7/398, 397, 387, 313,  
D7/312, 305, 300; D23/249, 246, 233; D10/60,  
D10/52, 49, 122; 215/355-364; 222/630-633,  
222/145.1-145.8

See application file for complete search history.

(56) **References Cited**

**U.S. PATENT DOCUMENTS**

3,184,090 A \* 5/1965 Robinson ..... 215/364  
D224,668 S \* 8/1972 Burger ..... D12/317  
3,744,657 A \* 7/1973 Alpern ..... 215/364

D406,769 S \* 3/1999 Ackroyd ..... D9/558  
D420,589 S \* 2/2000 Baxter ..... D9/439  
6,551,834 B2 \* 4/2003 Carpenter et al. .... 436/86  
D511,461 S \* 11/2005 Seys ..... D9/522

\* cited by examiner

*Primary Examiner*—Robert M. Spear

*Assistant Examiner*—Susan Bennett Hattan

(74) *Attorney, Agent, or Firm*—Young & Thompson

(57) **CLAIM**

The ornamental design for a bottle stopper, as shown and described.

**DESCRIPTION**

FIG. 1 is a side elevational view of a bottle stopper showing my new design;

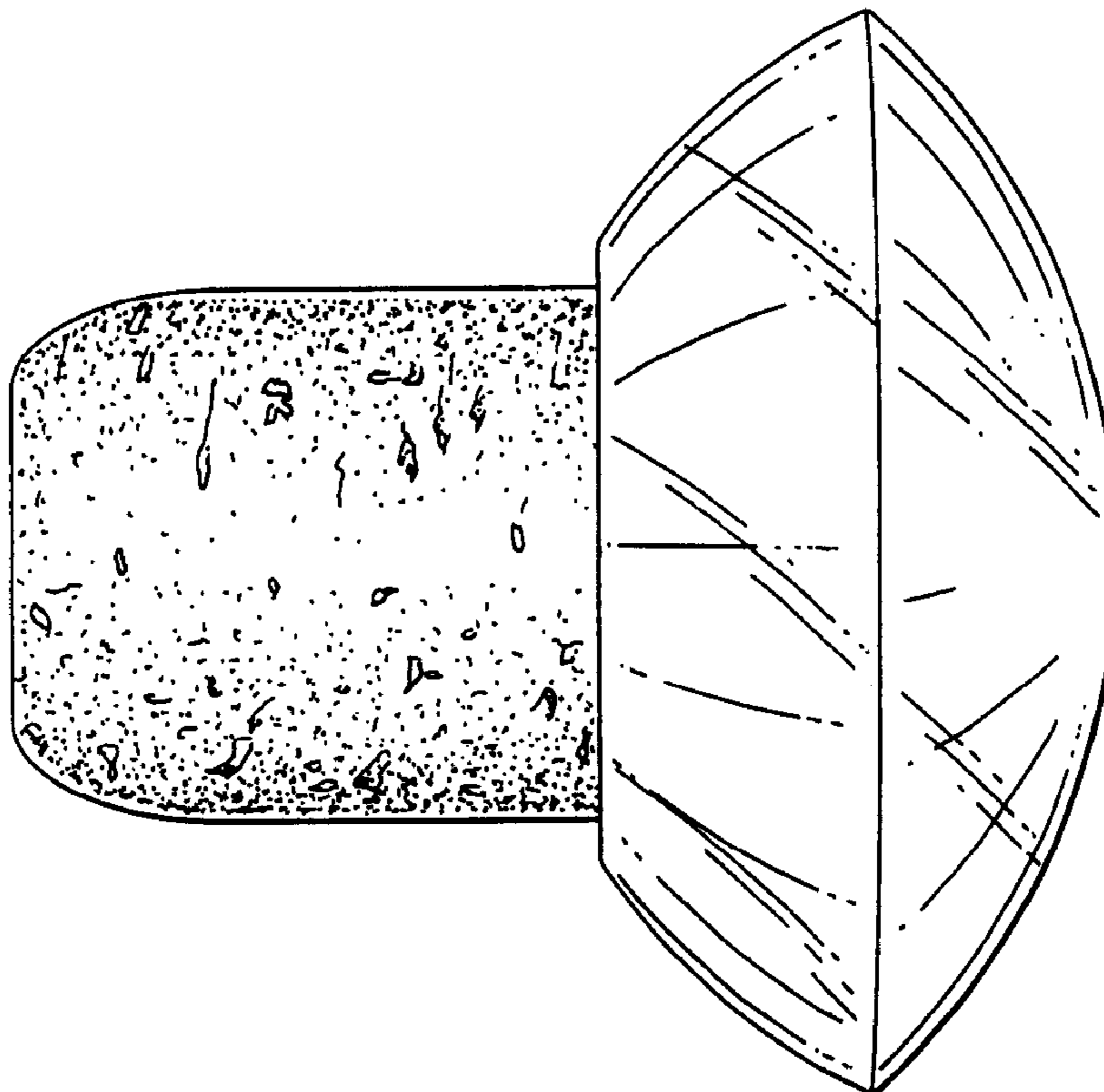
FIG. 2 is an end elevational view thereof from the left of FIG. 1;

FIG. 3 is an end elevational view thereof from the right of FIG. 1; and,

FIG. 4 is a top and side perspective view thereof.

The device whose design is claimed is a figure of revolution, and so all side elevational views thereof are identical.

**1 Claim, 4 Drawing Sheets**



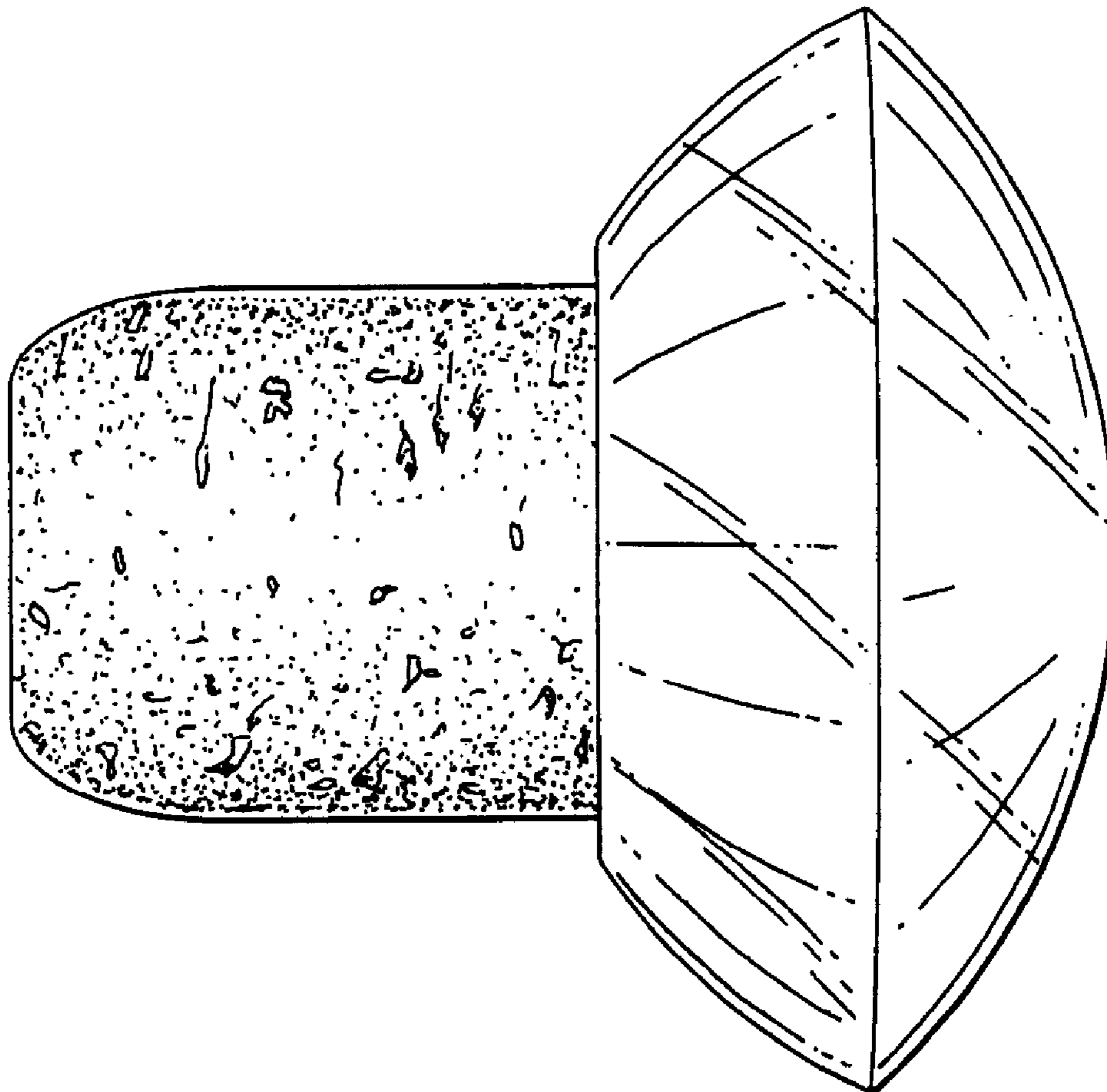


FIG. 1

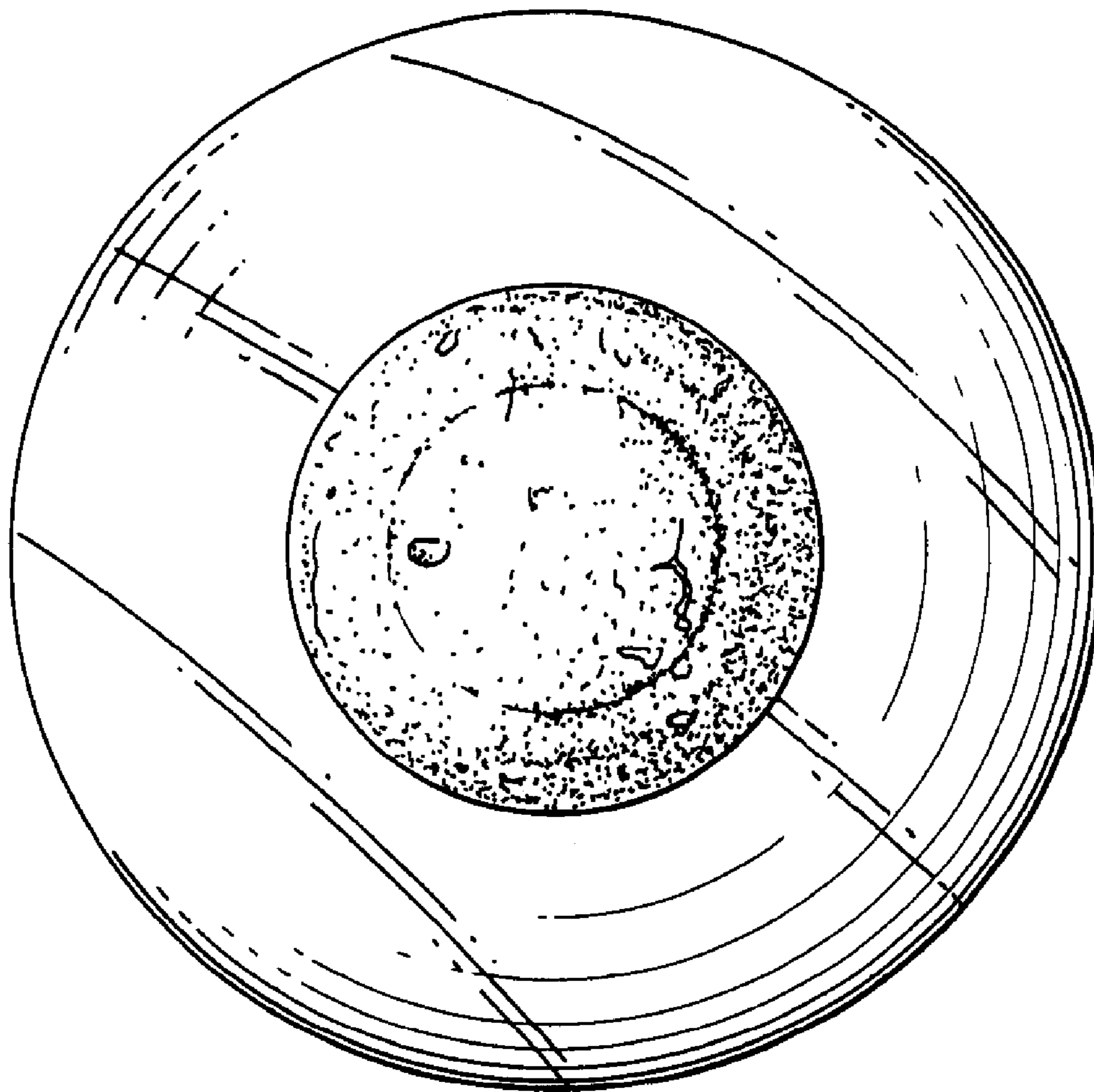


FIG. 2

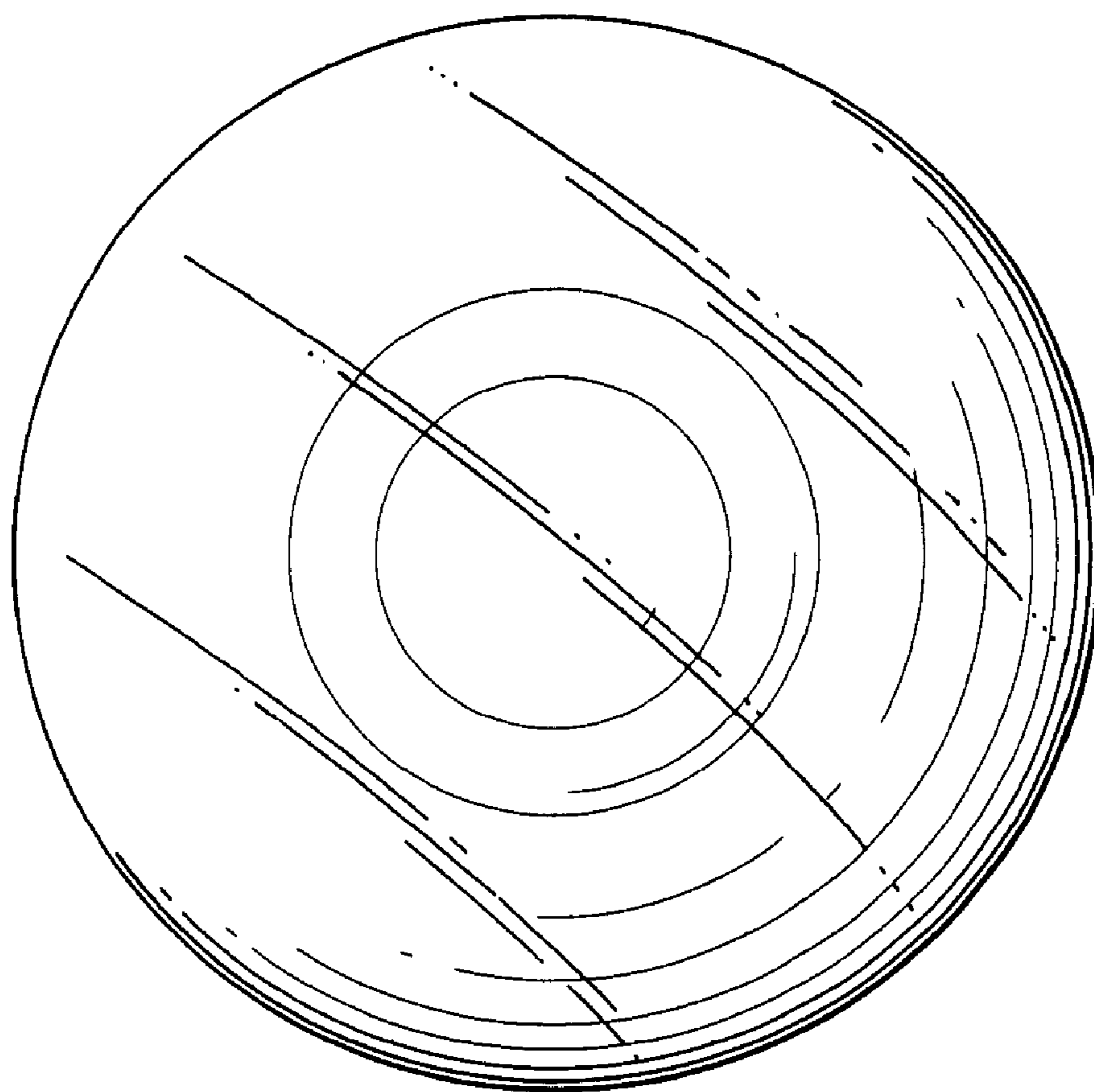


FIG. 3

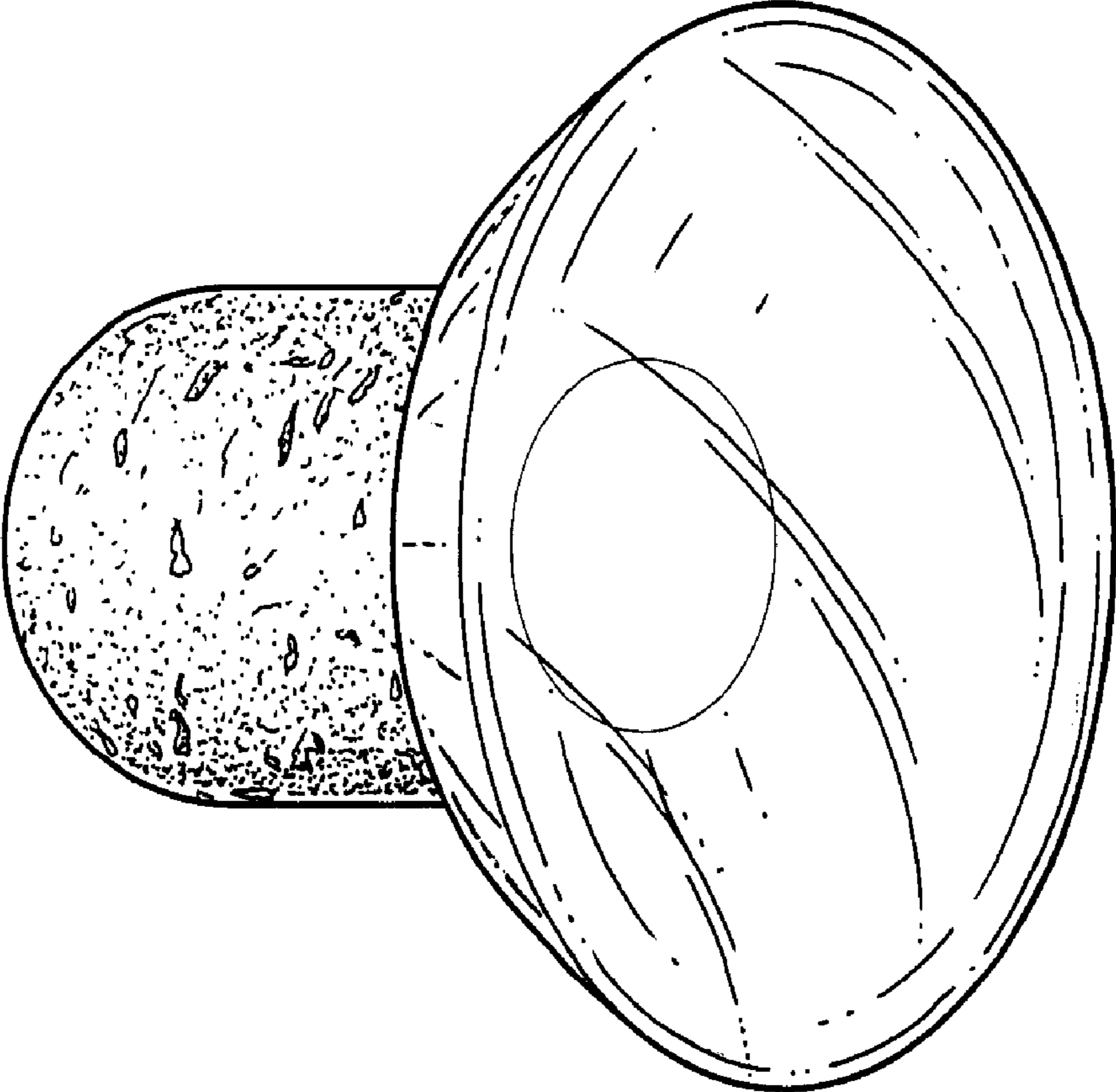


FIG. 4