



US00D551542S

(12) **United States Design Patent**
Gallien et al.

(10) **Patent No.:** **US D551,542 S**

(45) **Date of Patent:** **** Sep. 25, 2007**

(54) **WALL HANGER**

D506,919 S 7/2005 Munson et al.
2003/0038222 A1 2/2003 Holmes

(75) Inventors: **James M. Gallien**, Hidden Hills, CA (US); **Steve A Kumetz**, Los Angeles, CA (US); **Leslie C. Munson**, San Juan Capistrano, CA (US)

Primary Examiner—Holly H. Baynham
(74) *Attorney, Agent, or Firm*—Stetina Brunda Garred & Brucker

(73) Assignee: **Hangman Products, Inc.**, Woodland Hills, CA (US)

(57) **CLAIM**

(**) Term: **14 Years**

The ornamental design for a wall hanger, as shown and described.

(21) Appl. No.: **29/240,610**

DESCRIPTION

(22) Filed: **Oct. 14, 2005**

(51) **LOC (8) Cl.** **08-05**

(52) **U.S. Cl.** **D8/373**

(58) **Field of Classification Search** D8/373,
D8/363, 354; 248/476, 497, 498

See application file for complete search history.

FIG. 1 is a front perspective view of the wall hanger of the present invention showing my new design with the dotted lines depicting solely environmental structure and forming no portion of the claimed design;

FIG. 2 is a top plan view thereof;

FIG. 3 is a left side elevational view thereof;

FIG. 4 is a front plan view thereof;

FIG. 5 is right side elevational view thereof;

FIG. 6 is a rear elevational view thereof;

FIG. 7 is a bottom plan view thereof;

FIG. 8 is a front perspective view of a second embodiment of the wall hanger of the present invention showing my new design with the dotted lines depicting solely environmental structure and forming no part of the claimed design;

FIG. 9 is top plan view thereof;

FIG. 10 is a left side elevational view thereof;

FIG. 11 is a front elevational view thereof;

FIG. 12 is a right side elevational view thereof;

FIG. 13 is a rear elevational view thereof; and,

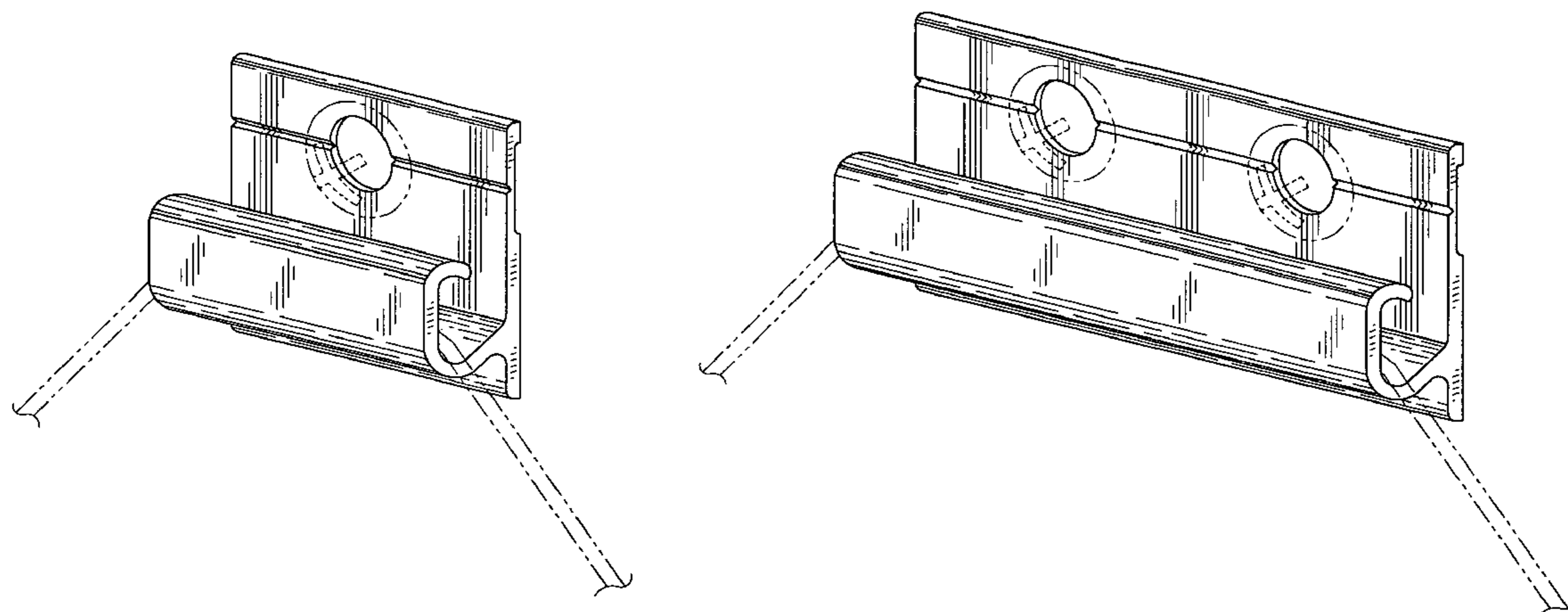
FIG. 14 is bottom plan view thereof.

(56) **References Cited**

U.S. PATENT DOCUMENTS

D198,471 S	6/1964	Rankin, Jr.
D227,981 S	7/1973	La Borde
4,228,982 A	10/1980	Sellera
4,597,554 A	7/1986	James
4,606,526 A	8/1986	Rabinowitz
4,712,761 A	12/1987	Wassell
5,209,449 A	5/1993	Hart
5,303,895 A	4/1994	Hart
D357,407 S	4/1995	Pate
5,480,120 A	1/1996	Bruner
5,791,625 A	8/1998	Orser
5,802,729 A	9/1998	O'Brien et al.
5,947,438 A	9/1999	Lemire
6,286,802 B1	9/2001	Munson et al.
6,322,039 B1	11/2001	De Luccia
D479,008 S	8/2003	Krieger
6,609,693 B2	8/2003	Hui

1 Claim, 4 Drawing Sheets



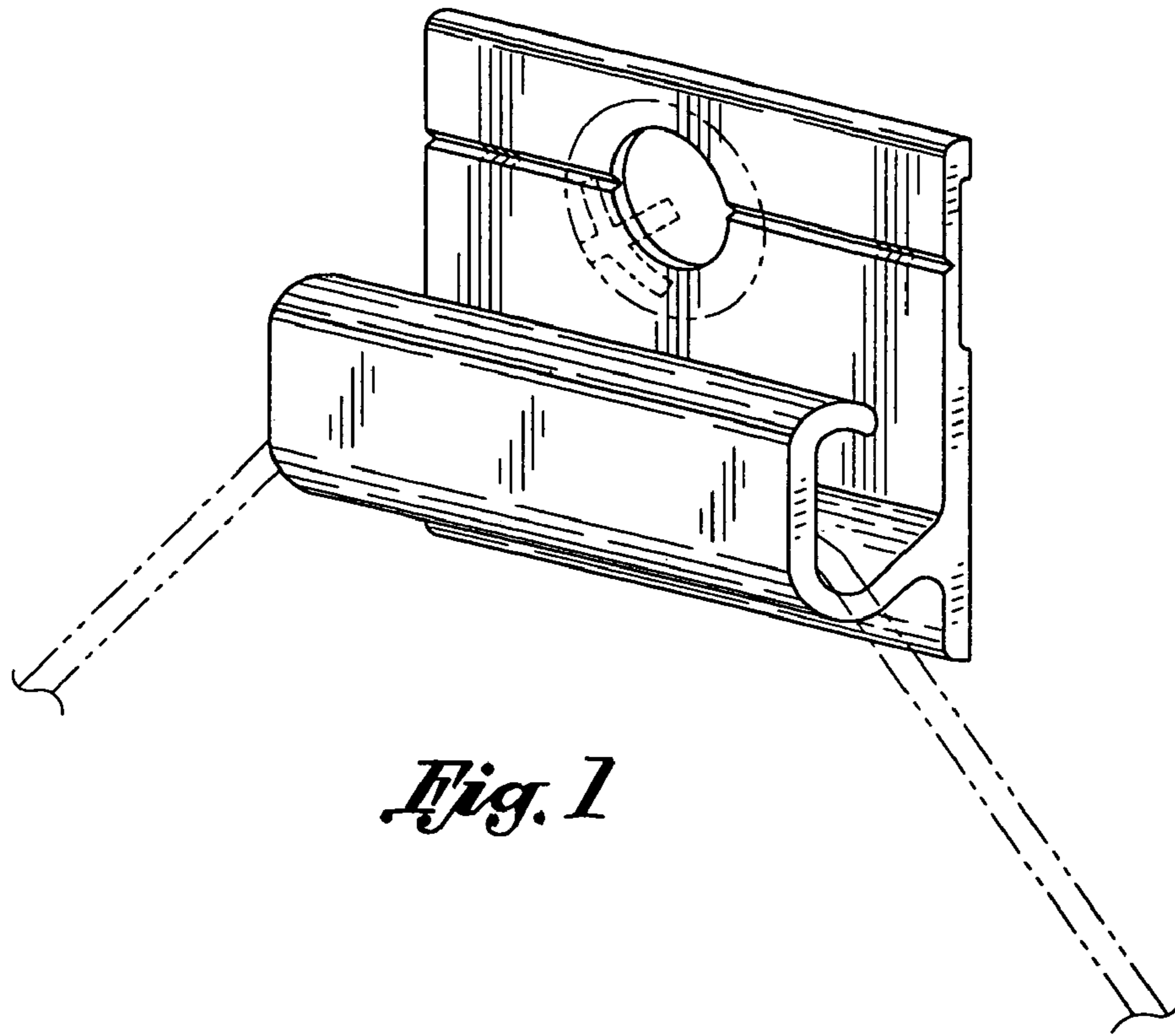


Fig. 1

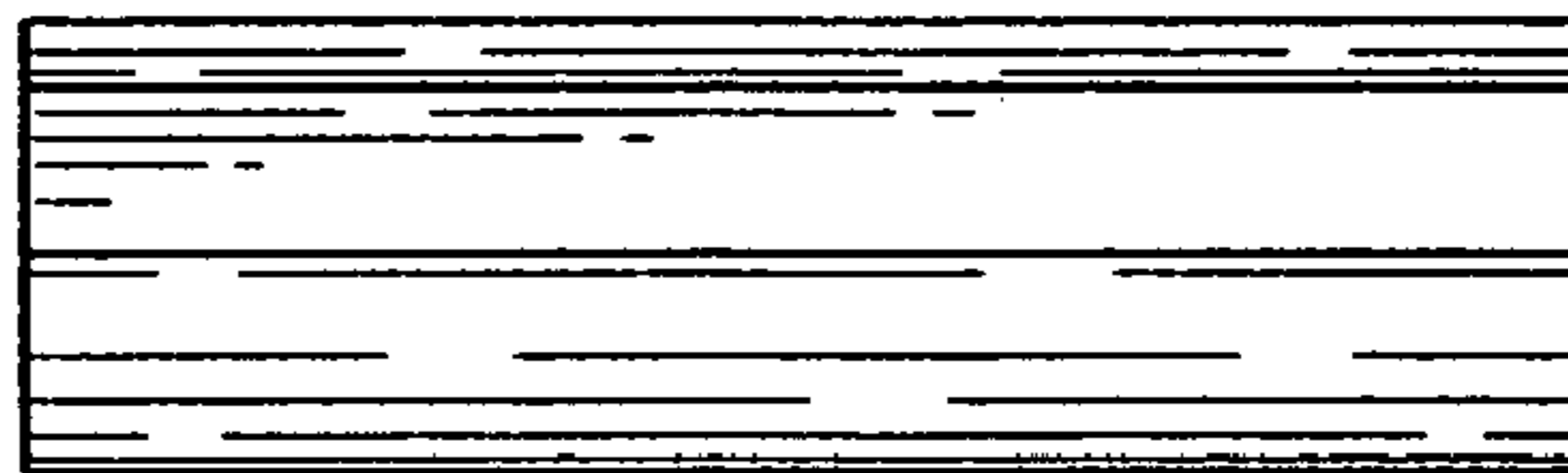


Fig. 2

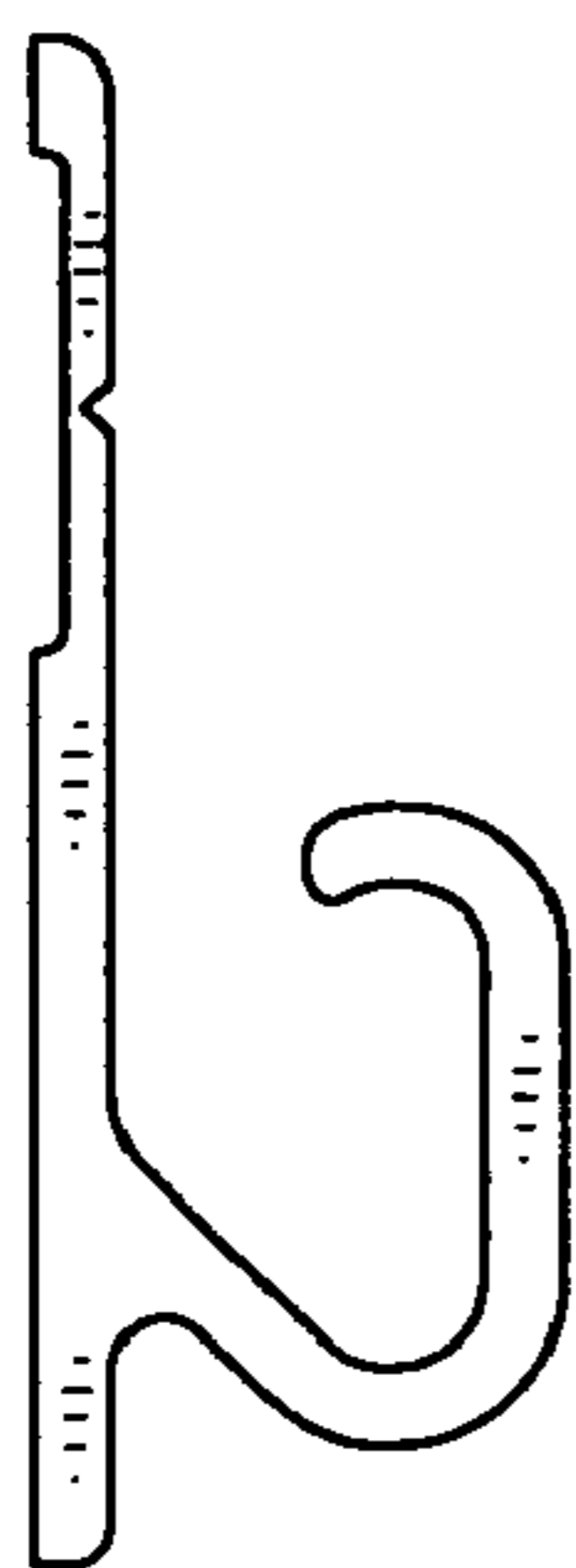


Fig. 3

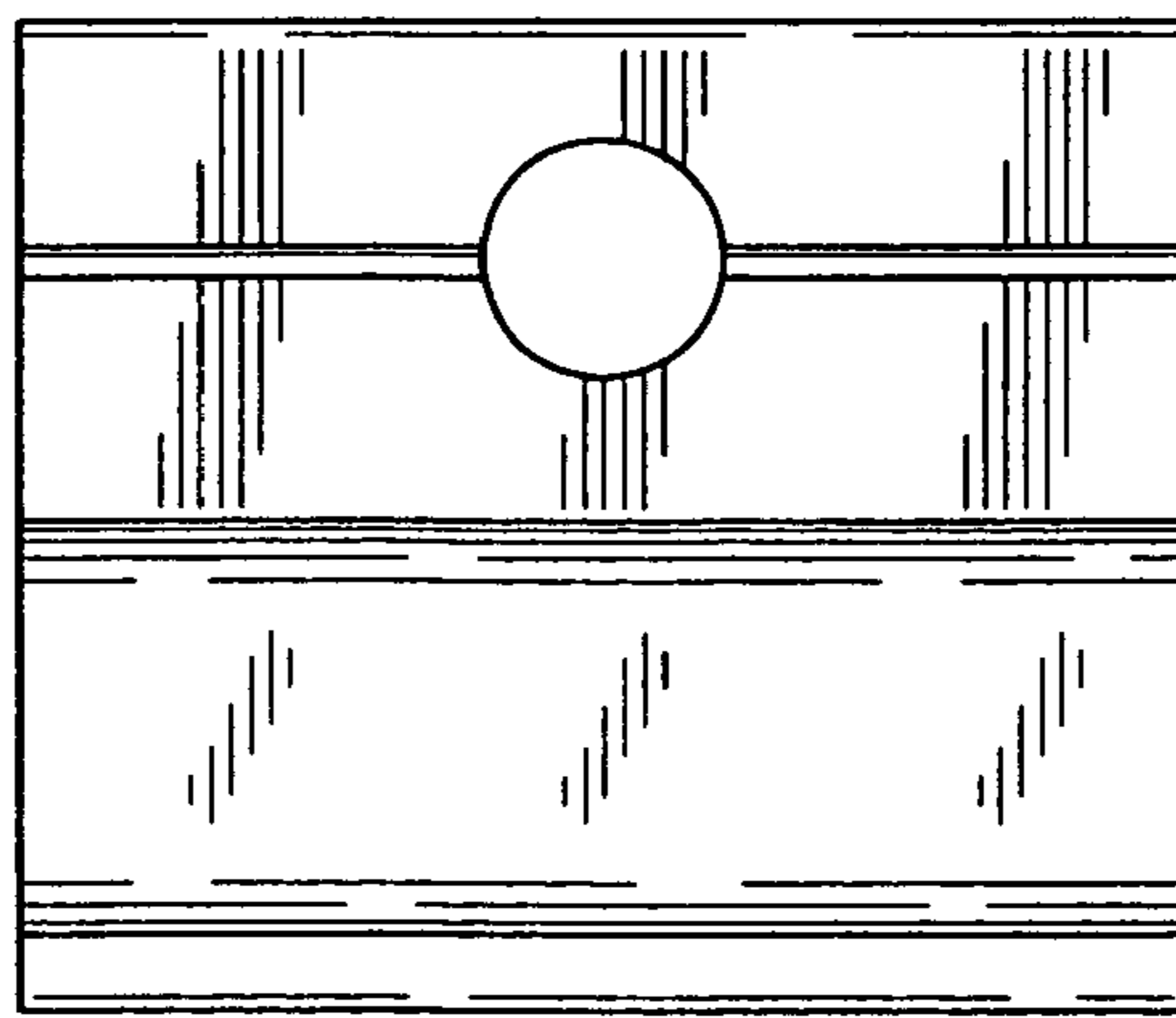


Fig. 4

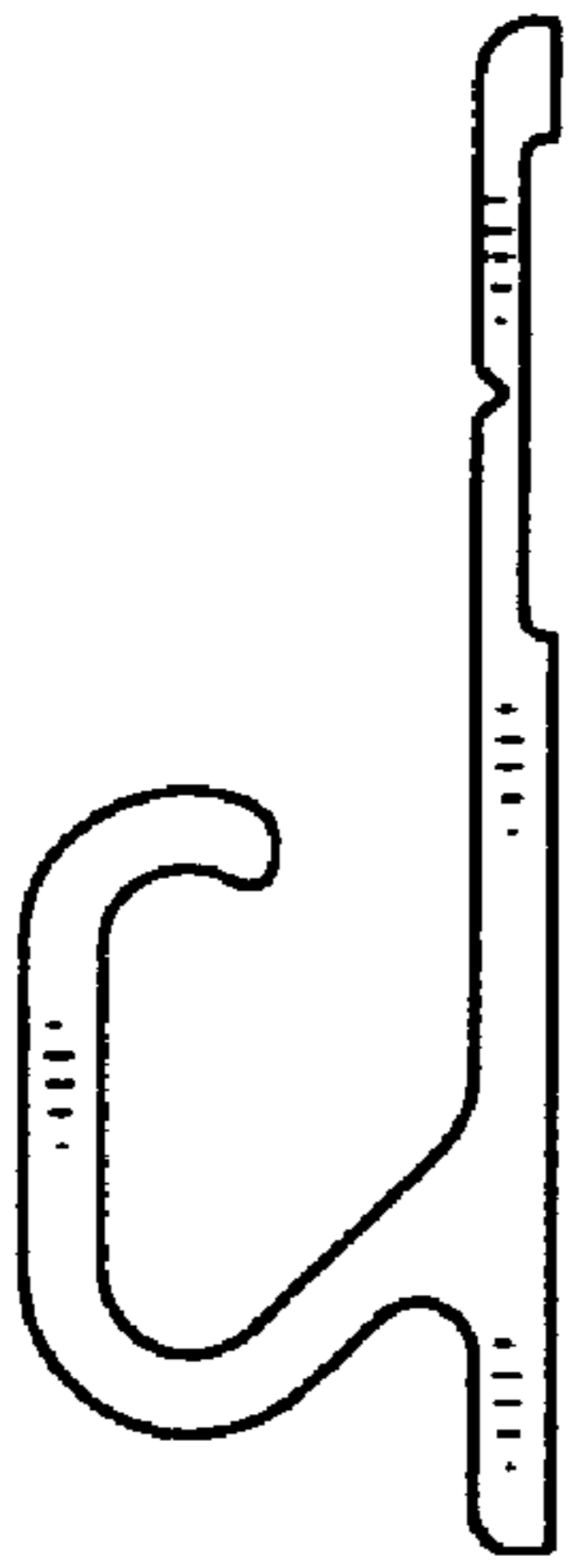


Fig. 5

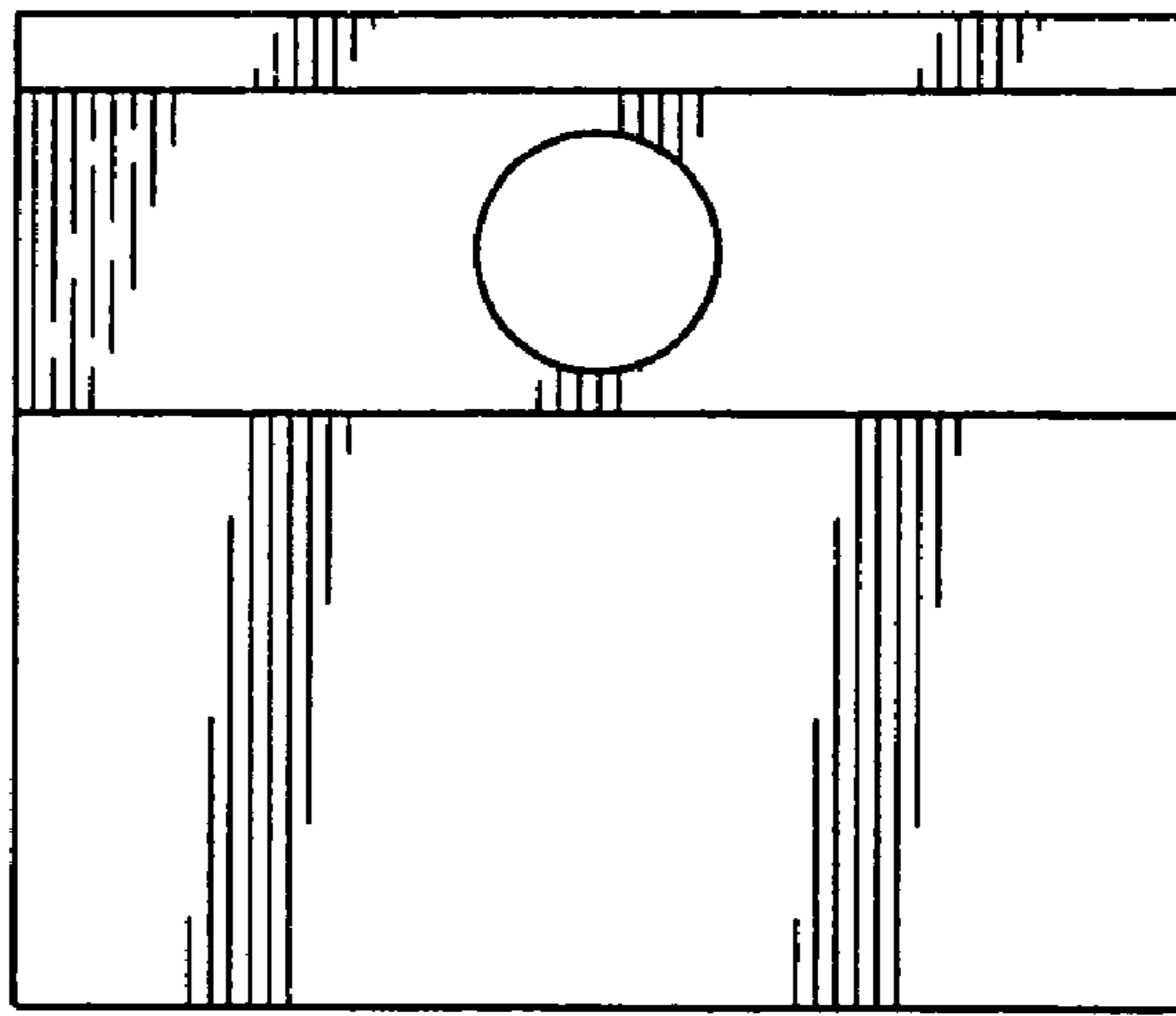


Fig. 6

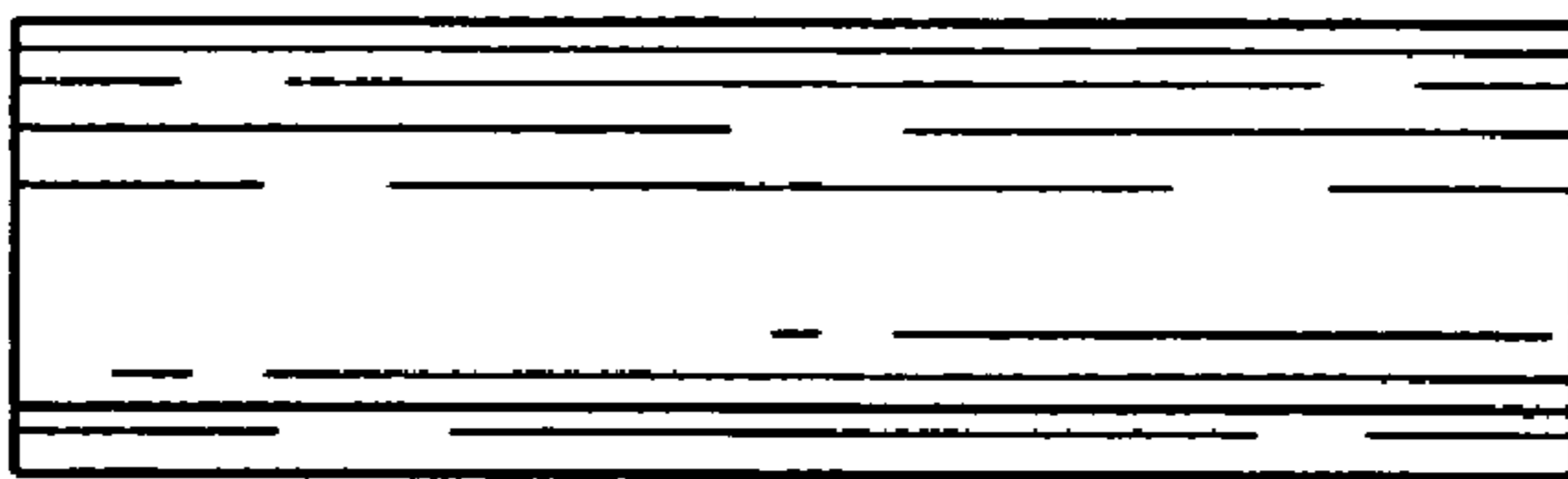


Fig. 7

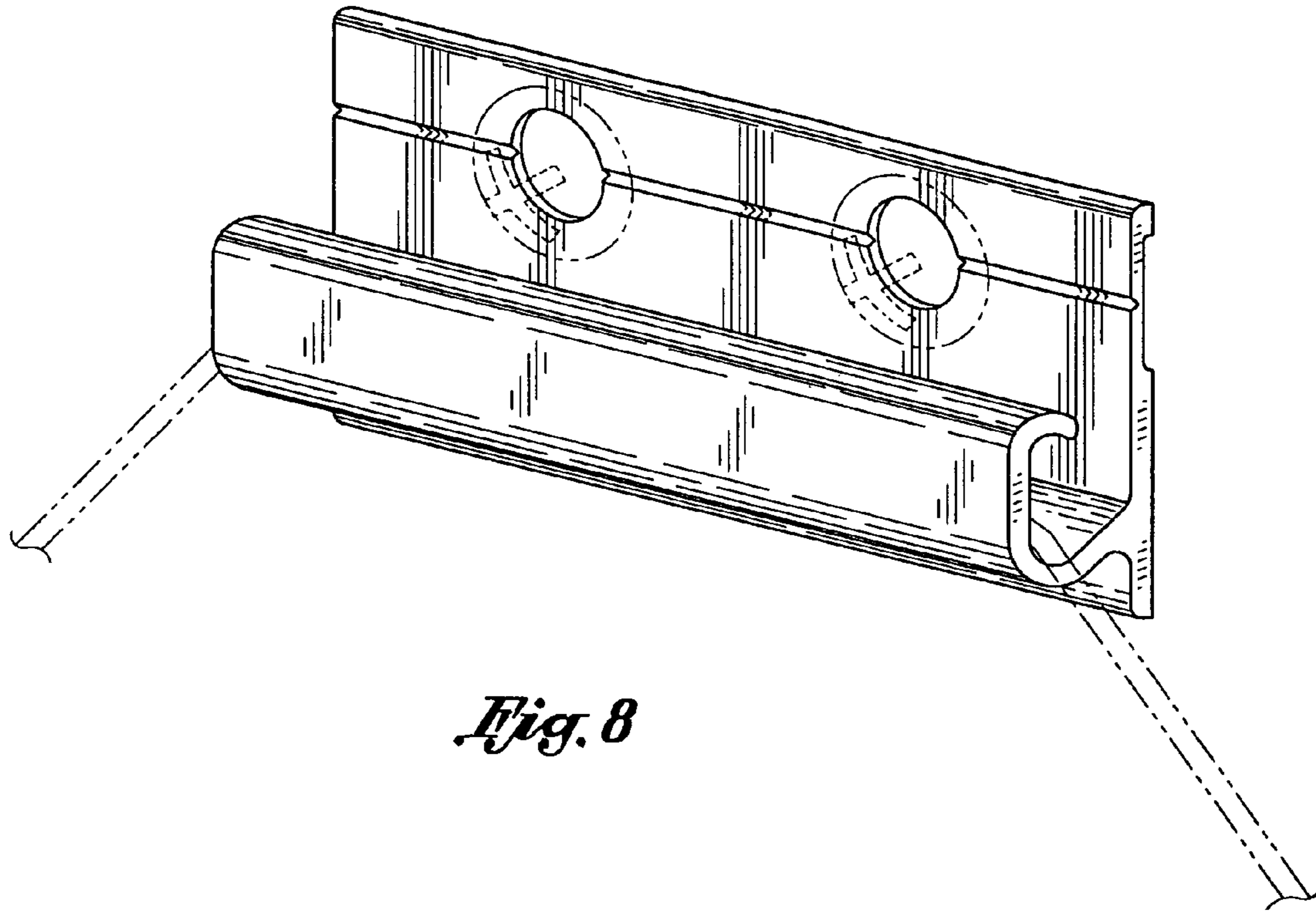


Fig. 8

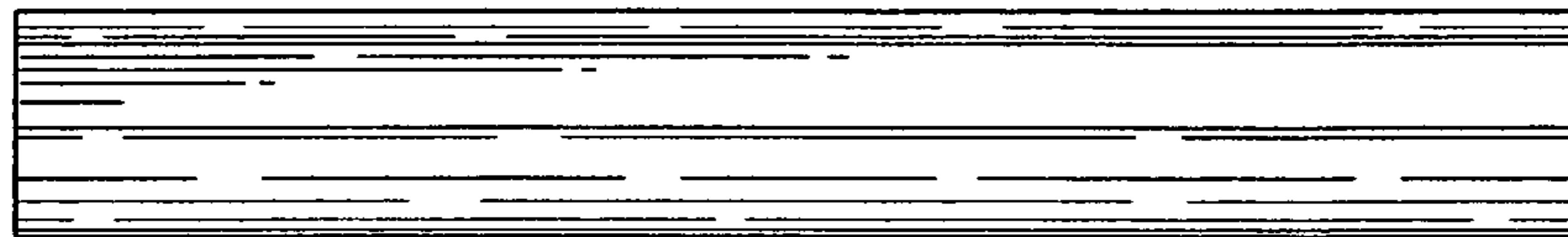


Fig. 9

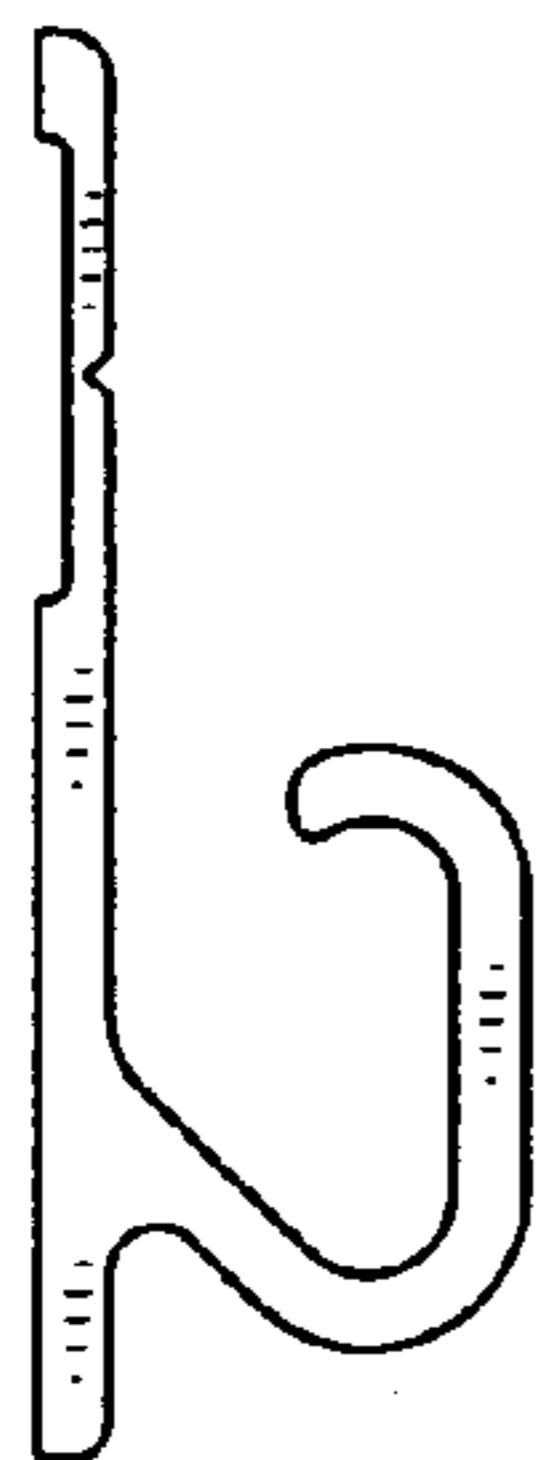


Fig. 10

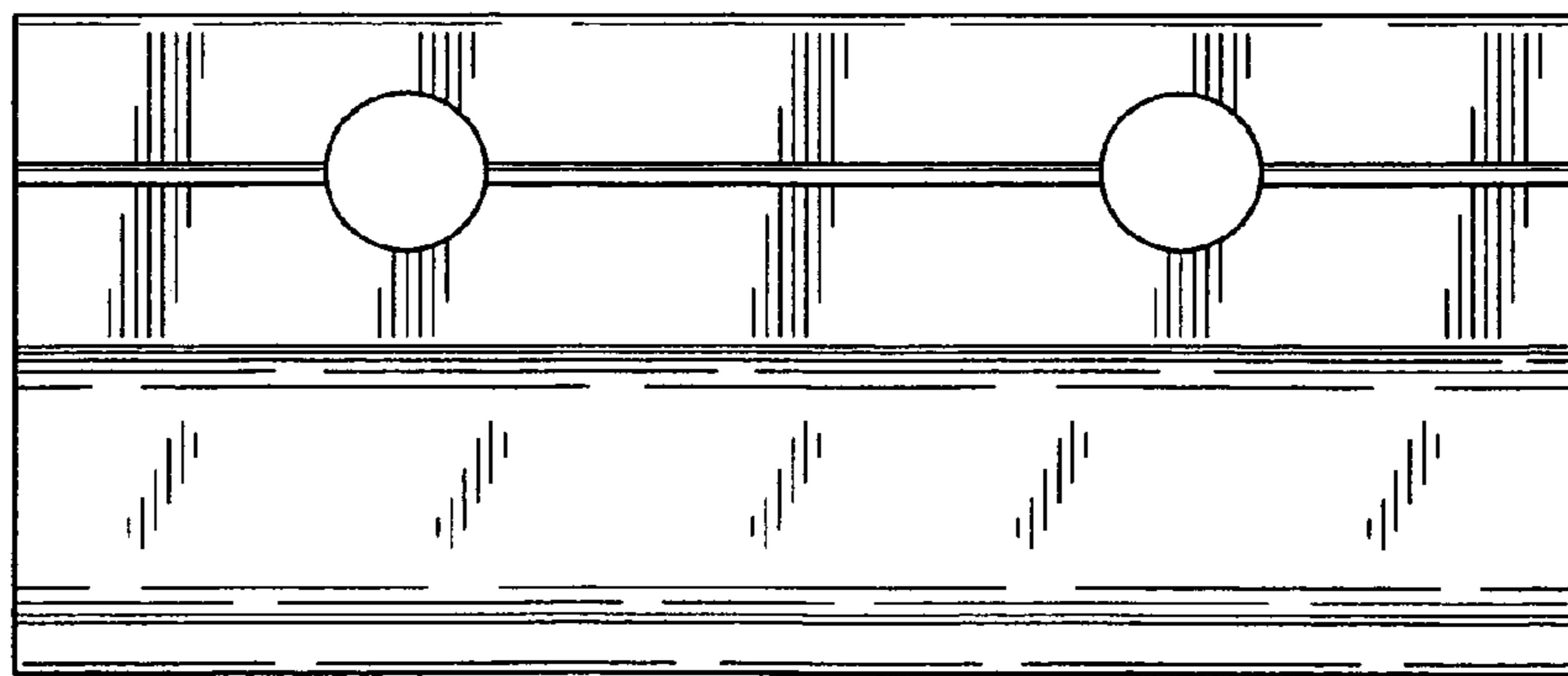


Fig. 11

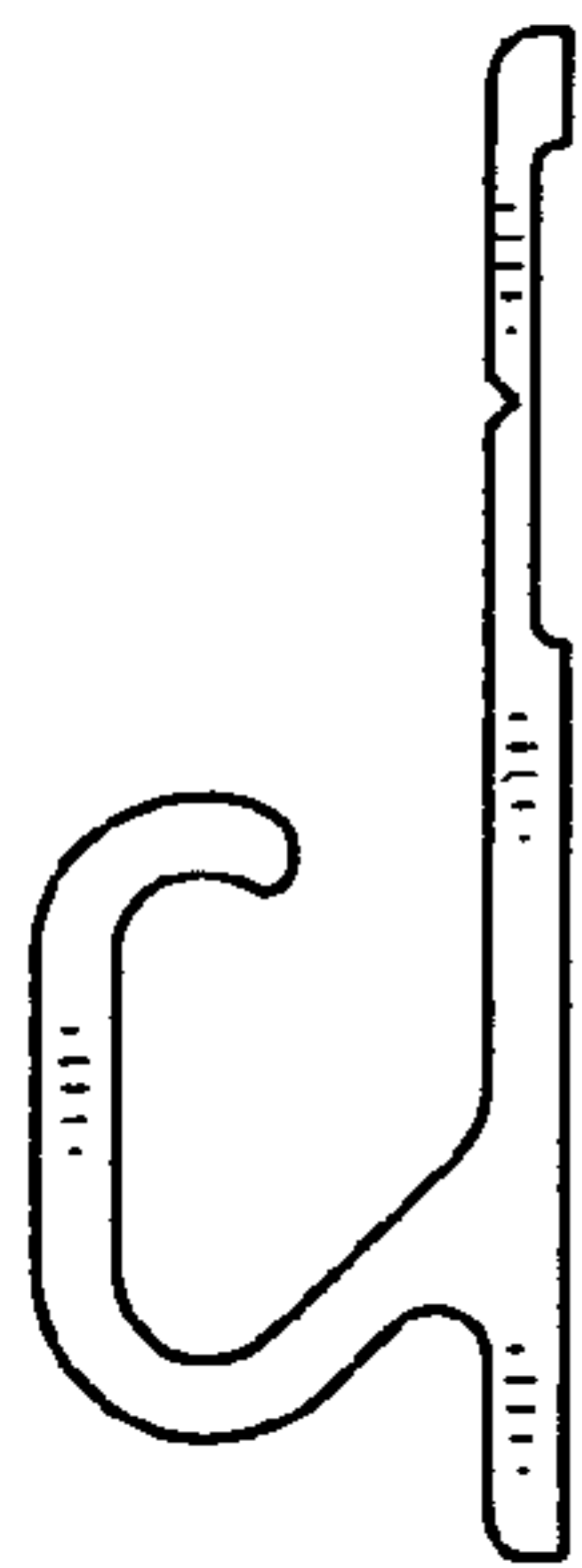


Fig. 12

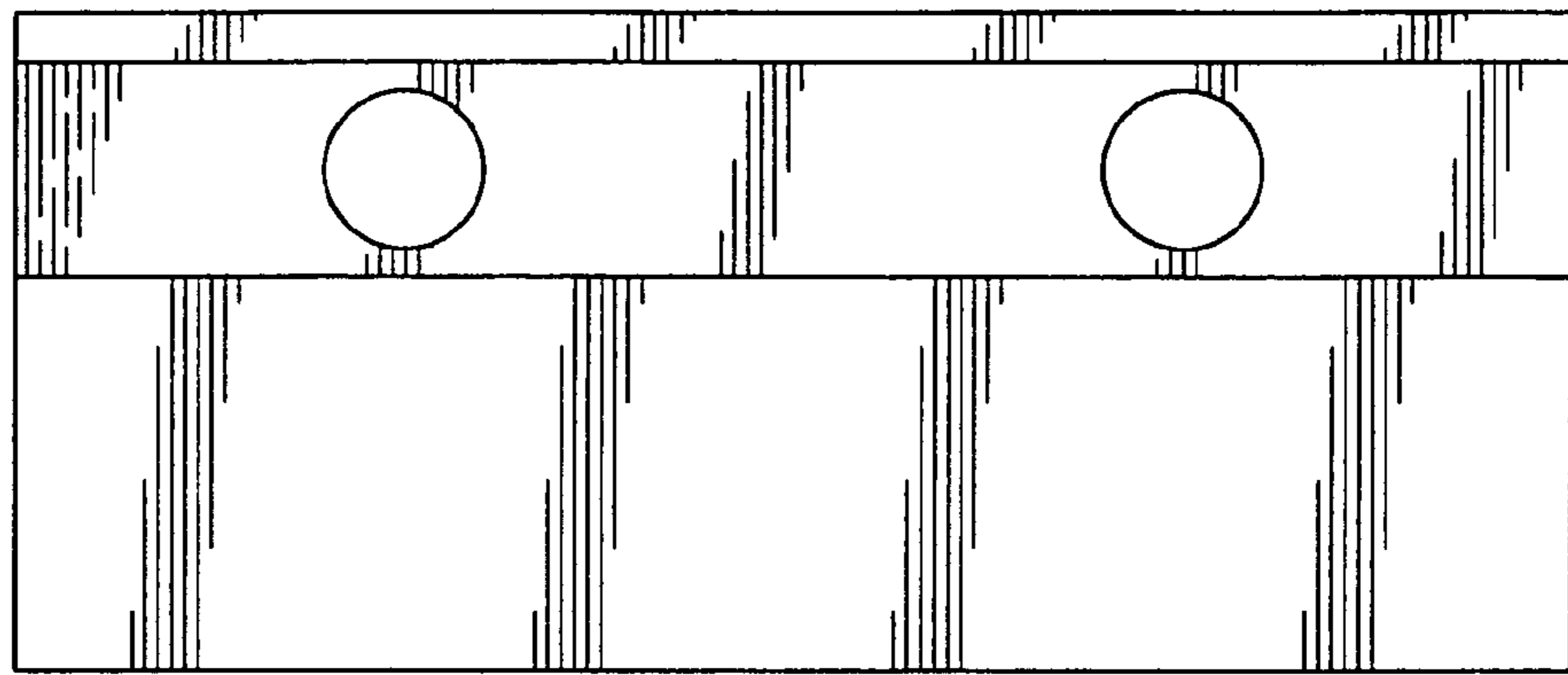


Fig. 13

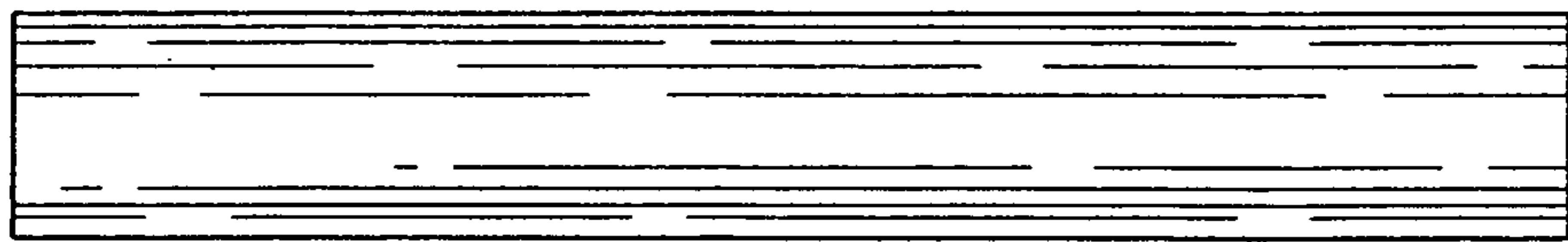


Fig. 14