



US00D551541S

(12) **United States Design Patent** (10) **Patent No.:** **US D551,541 S**
Kuo (45) **Date of Patent:** **** Sep. 25, 2007**

(54) **STRETCH CORD HOOK**

(76) Inventor: **Su-Min Kuo**, No. 18, Lane 29, Yu Nung Rd., Tainan (TW)

(**) Term: **14 Years**

(21) Appl. No.: **29/242,317**

(22) Filed: **Nov. 9, 2005**

(51) **LOC (8) Cl.** **08-05**

(52) **U.S. Cl.** **D8/367**

(58) **Field of Classification Search** D8/367;
24/130, 499, 300; 248/301, 304
See application file for complete search history.

(56) **References Cited**

U.S. PATENT DOCUMENTS

| | | | | | |
|-----------|------|---------|--------|-------|----------|
| 4,559,677 | A * | 12/1985 | Tracy | | 24/300 |
| D417,386 | S * | 12/1999 | Huston | | D8/367 |
| 6,014,794 | A * | 1/2000 | Mc Coy | | 24/300 |
| 6,851,163 | B2 * | 2/2005 | Selby | | 24/598.4 |
| 7,181,809 | B1 * | 2/2007 | Kuo | | 24/300 |

2002/0162196 A1* 11/2002 Joubert et al. 24/300

* cited by examiner

Primary Examiner—Holly H. Baynham

(74) *Attorney, Agent, or Firm*—Rosenberg, Klein & Lee

(57) **CLAIM**

The ornamental design for a stretch cord hook, as shown and described.

DESCRIPTION

FIG. 1 is a perspective view of a stretch cord hook showing my present design;

FIG. 2 is a front view thereof;

FIG. 3 is a rear view thereof;

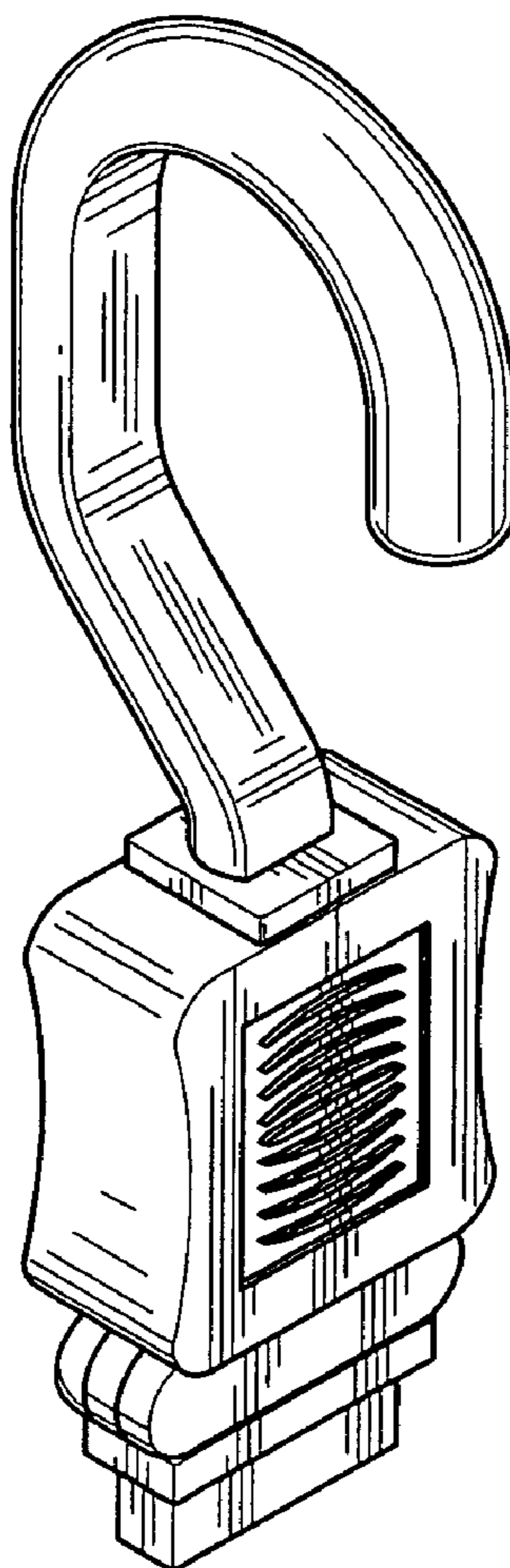
FIG. 4 is a left view thereof;

FIG. 5 is a right view thereof;

FIG. 6 is a top plan view thereof, and,

FIG. 7 is a bottom plan view.

1 Claim, 4 Drawing Sheets



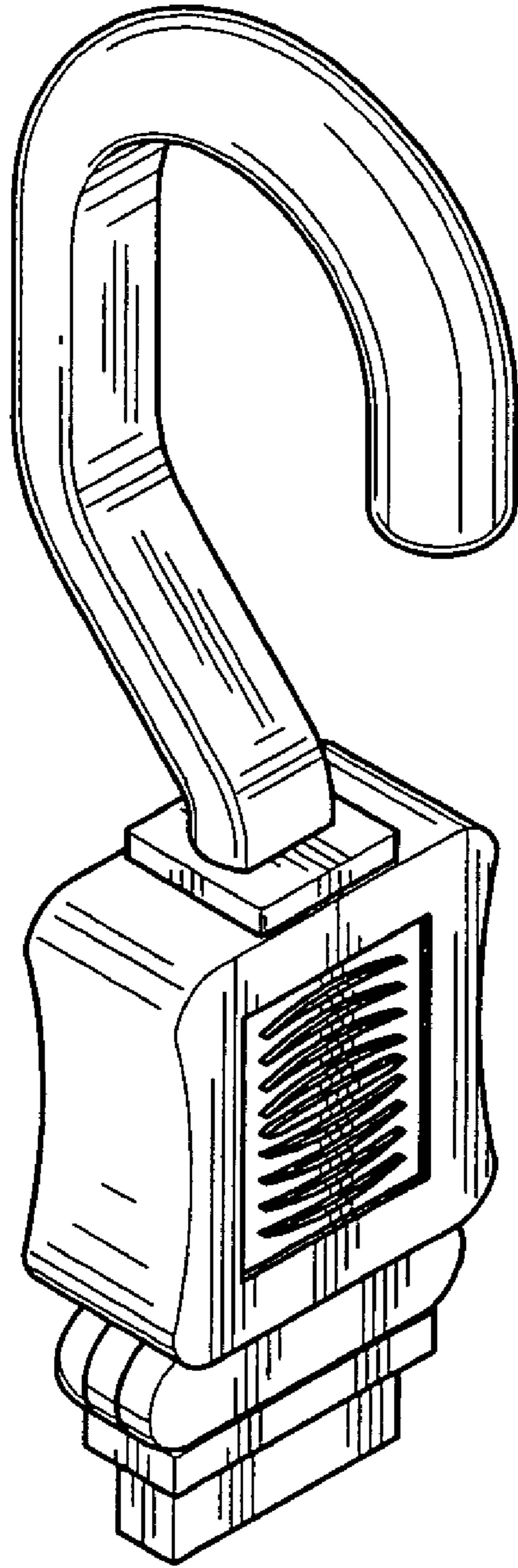


FIG. 1

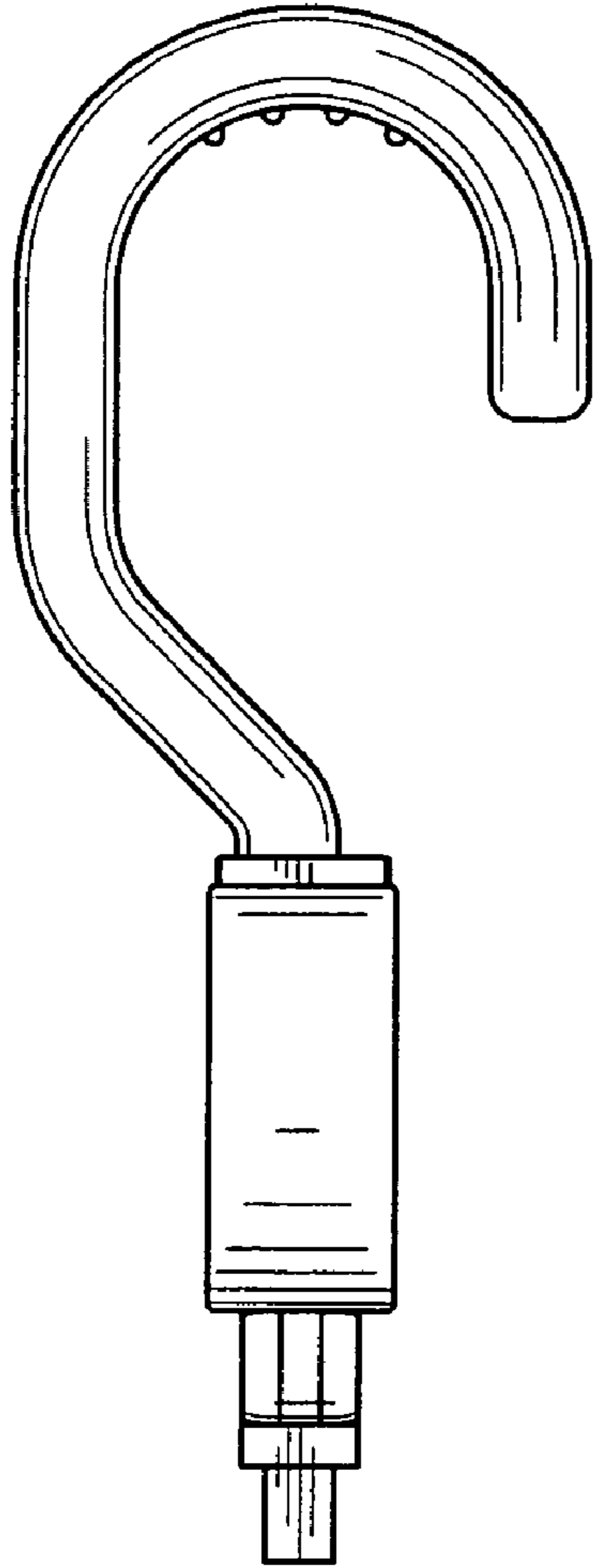


FIG. 2

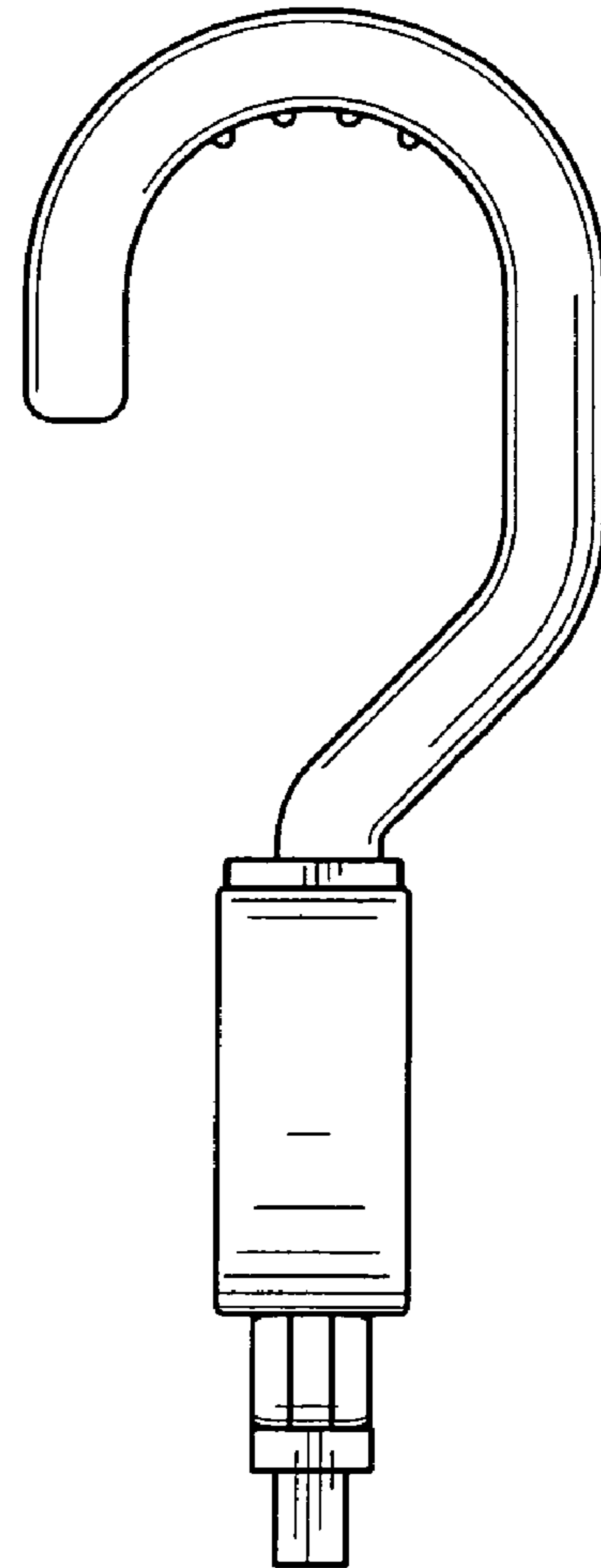


FIG. 3

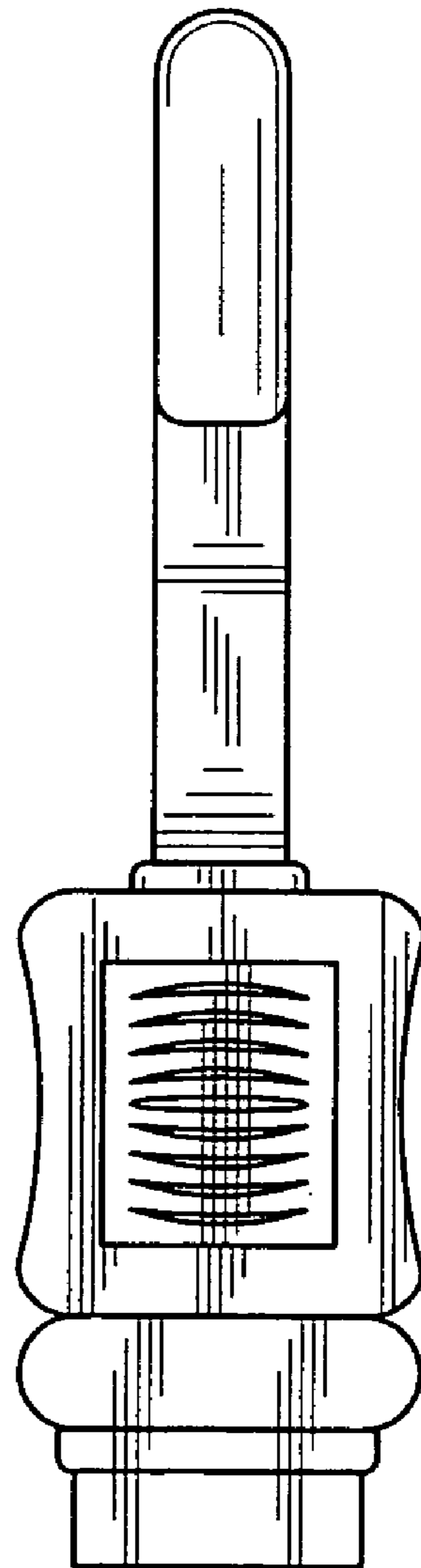
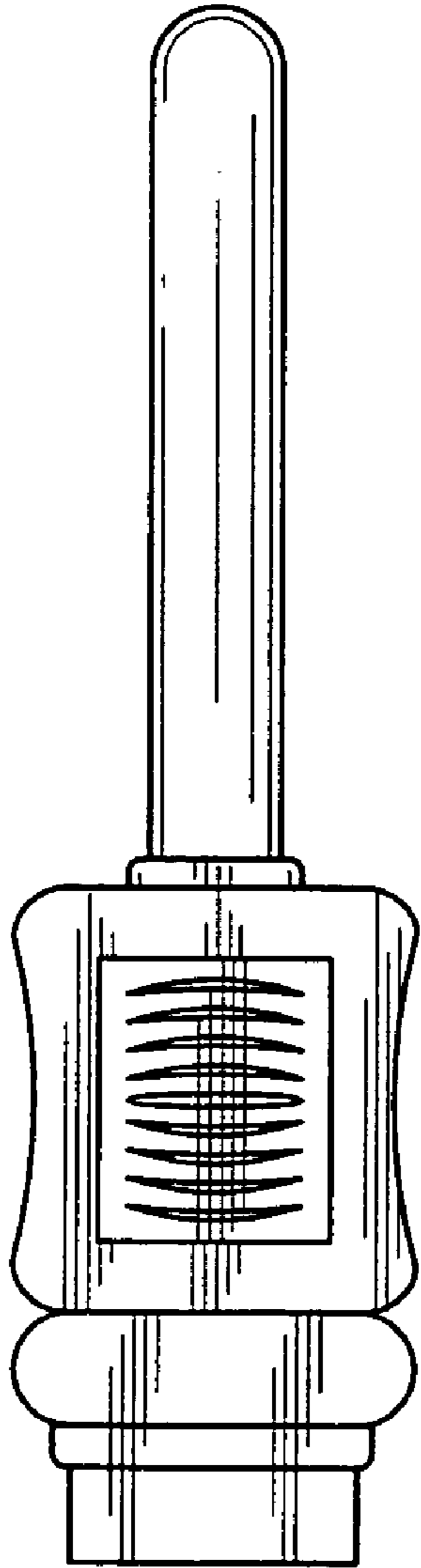


FIG. 4

FIG. 5

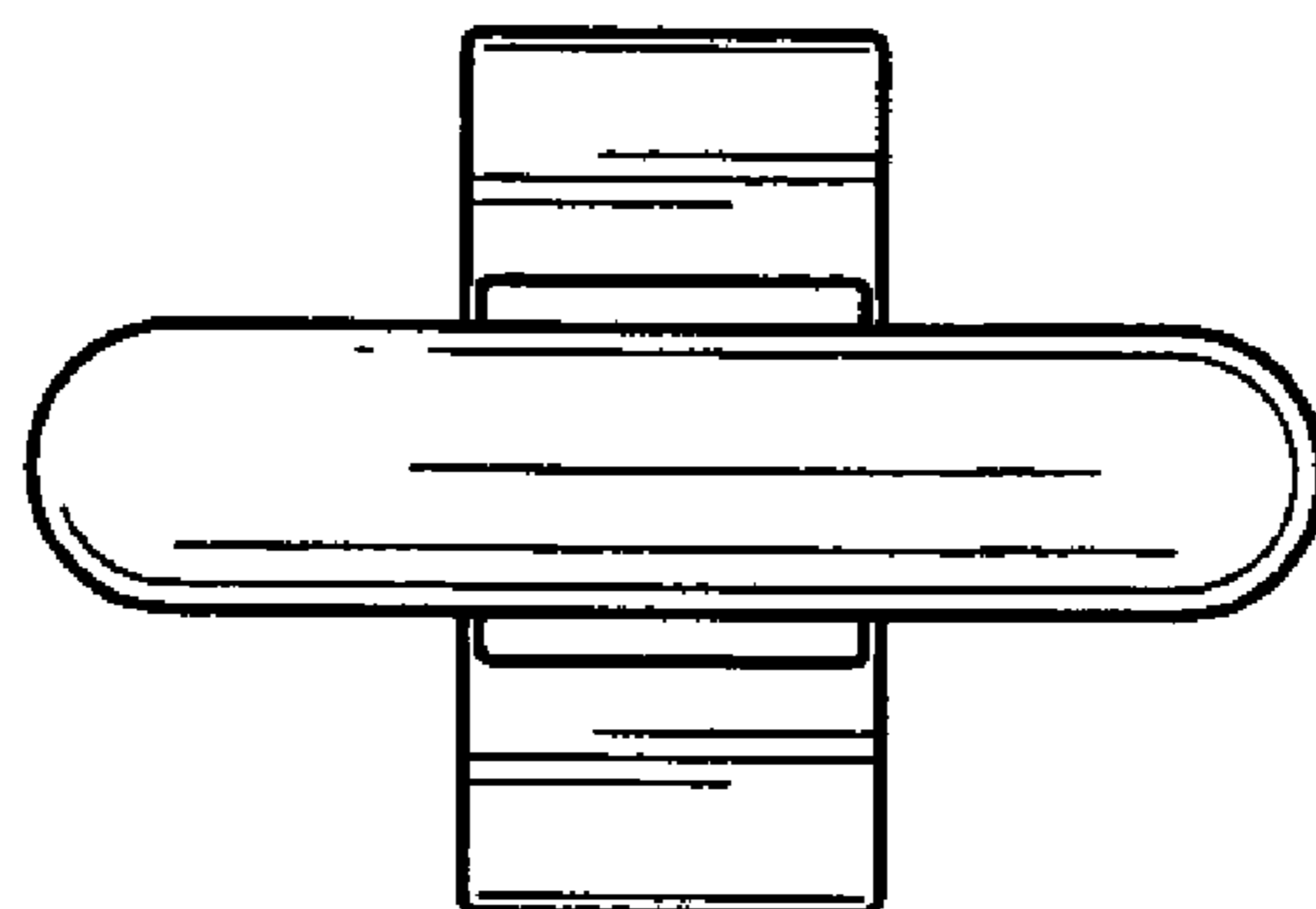


FIG. 6

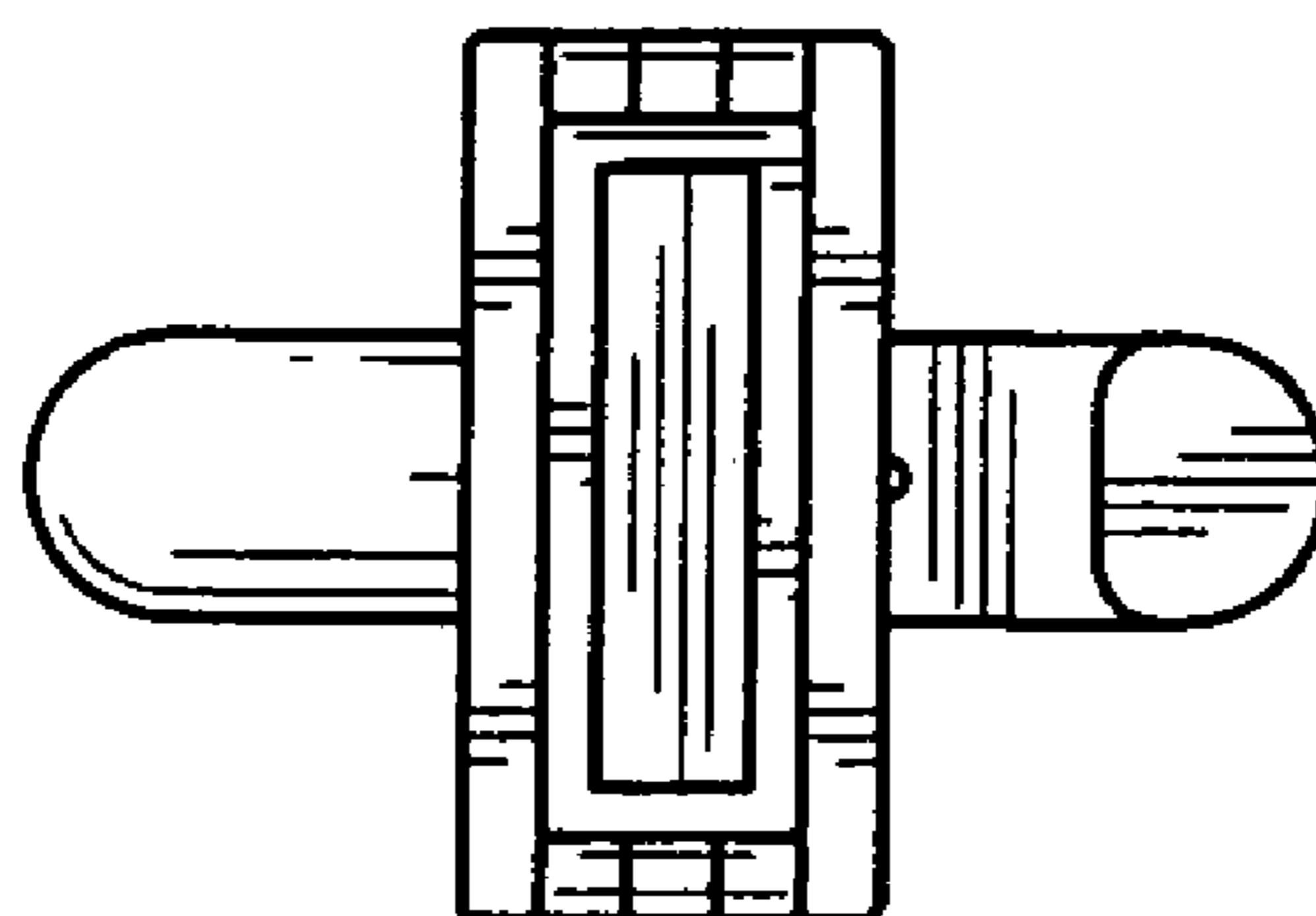


FIG. 7