



US00D551540S

(12) **United States Design Patent**  
**Czipri et al.**

(10) **Patent No.:** **US D551,540 S**

(45) **Date of Patent:** **\*\* Sep. 25, 2007**

(54) **MARINE CLEAT**

(75) Inventors: **John Czipri**, Palm Harbor, FL (US);  
**Bernd Czipri**, Palm Harbor, FL (US)

(73) Assignee: **R & D Shed LLC**, Palm Harbor, FL  
(US)

(\*\*) Term: **14 Years**

(21) Appl. No.: **29/233,868**

(22) Filed: **Jul. 11, 2005**

(51) **LOC (8) Cl.** ..... **08-05**

(52) **U.S. Cl.** ..... **D8/356; D12/317**

(58) **Field of Classification Search** ..... D8/382,  
D8/356, 349, 316, 315; D12/317; 114/230.2,  
114/218, 108

See application file for complete search history.

(56) **References Cited**

**U.S. PATENT DOCUMENTS**

4,809,634	A	3/1989	Czipri	
D301,683	S *	6/1989	Whitley, II	D8/356
D355,352	S *	2/1995	Whitley, II	D8/356
5,535,694	A	7/1996	Czipri	
5,983,820	A	11/1999	Whitley	
D458,891	S *	6/2002	Whitley	D12/317
6,588,355	B1 *	7/2003	Whitley et al.	114/218
6,651,576	B1 *	11/2003	Lo	114/218

D483,247 S \* 12/2003 Pugh ..... D8/356  
2006/0112869 A1 \* 6/2006 King ..... 114/218

\* cited by examiner

*Primary Examiner*—Robert M. Spear

*Assistant Examiner*—Susan Bennett Hattan

(74) *Attorney, Agent, or Firm*—McKees, Voorhees & Sease,  
P.L.C.

(57) **CLAIM**

We claim the ornamental design for a marine cleat, substantially as shown.

**DESCRIPTION**

FIG. 1 is a perspective view of the marine cleat of the present invention.

FIG. 2 is another perspective view of the cleat of the present invention.

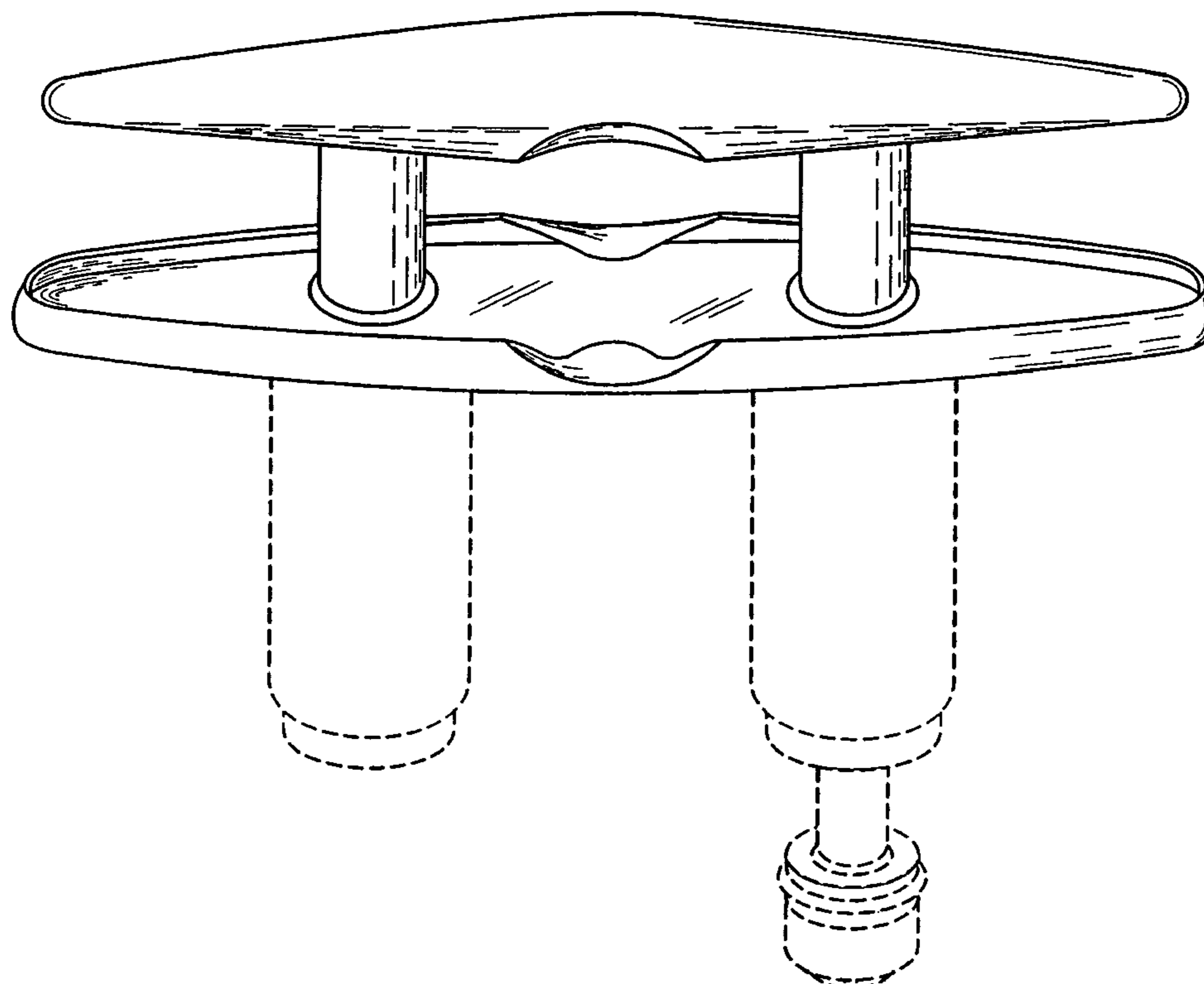
FIG. 3 is a side elevation view of the cleat, with the opposite side having an identical appearance.

FIG. 4 is an end view of the cleat, with the opposite end having an identical appearance; and,

FIG. 5 is a top plan view of the cleat.

The broken lines in the drawings are for illustrative purposes only and form no part of the claimed design.

**1 Claim, 5 Drawing Sheets**



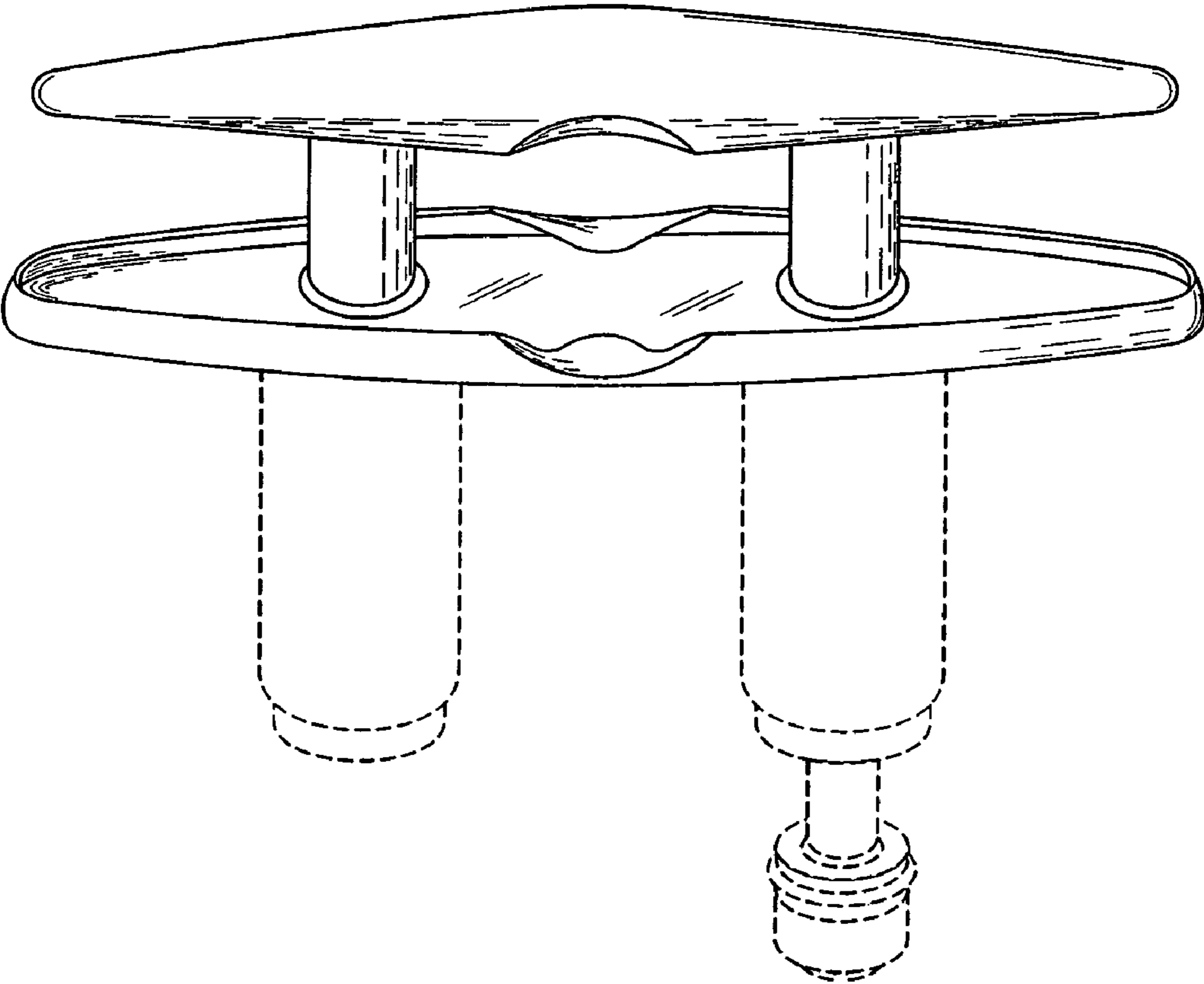


FIG. 1

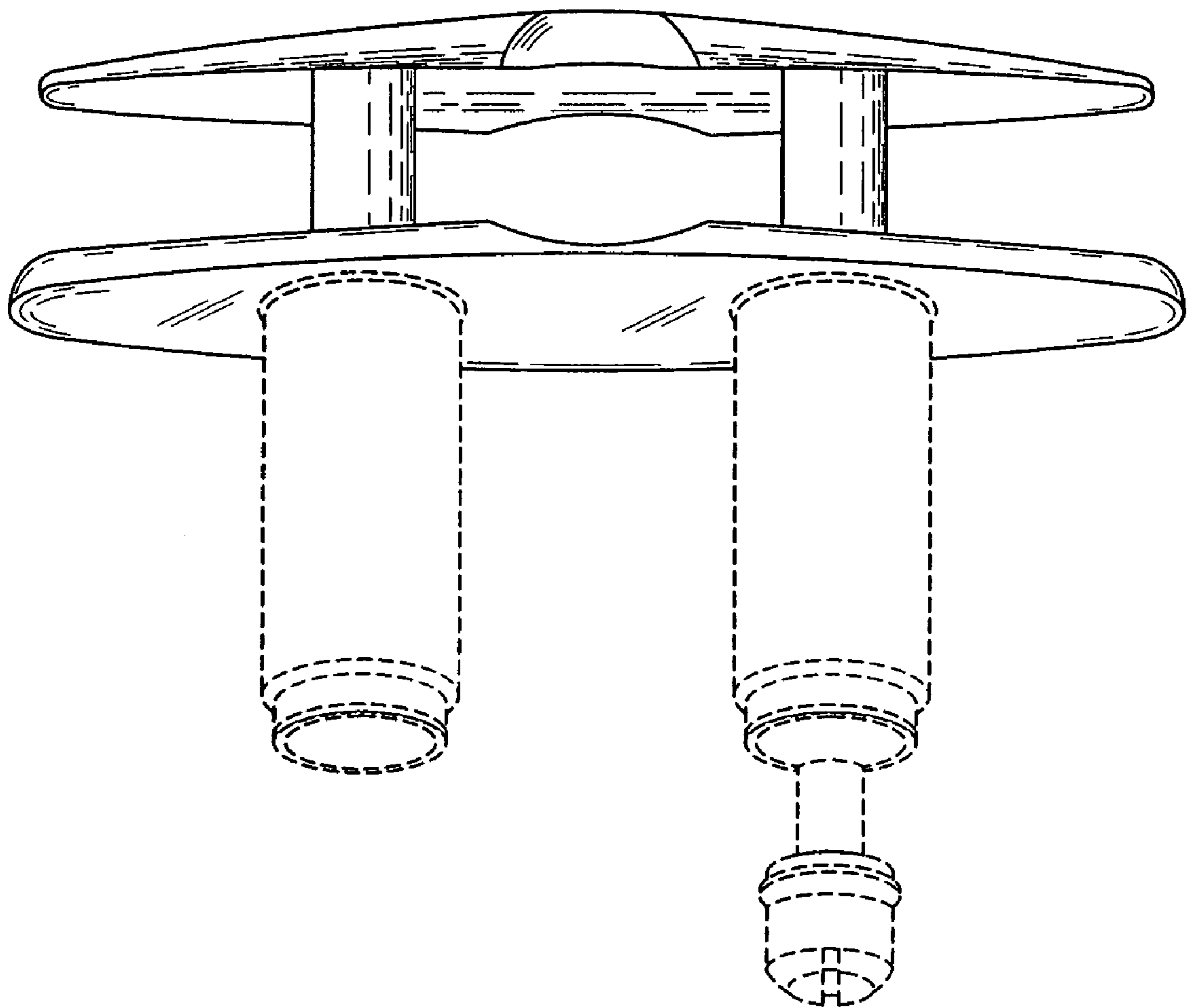


FIG. 2

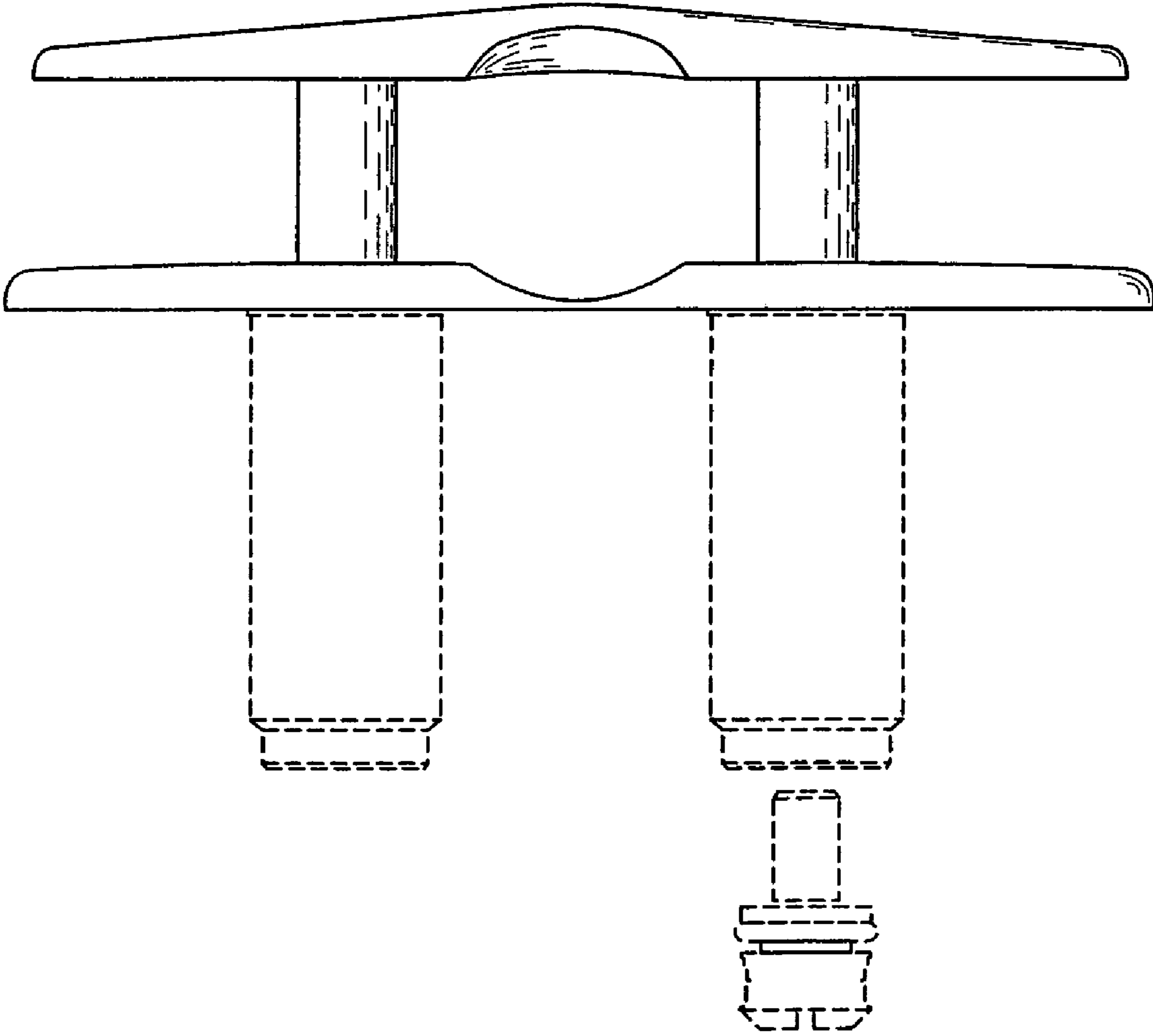
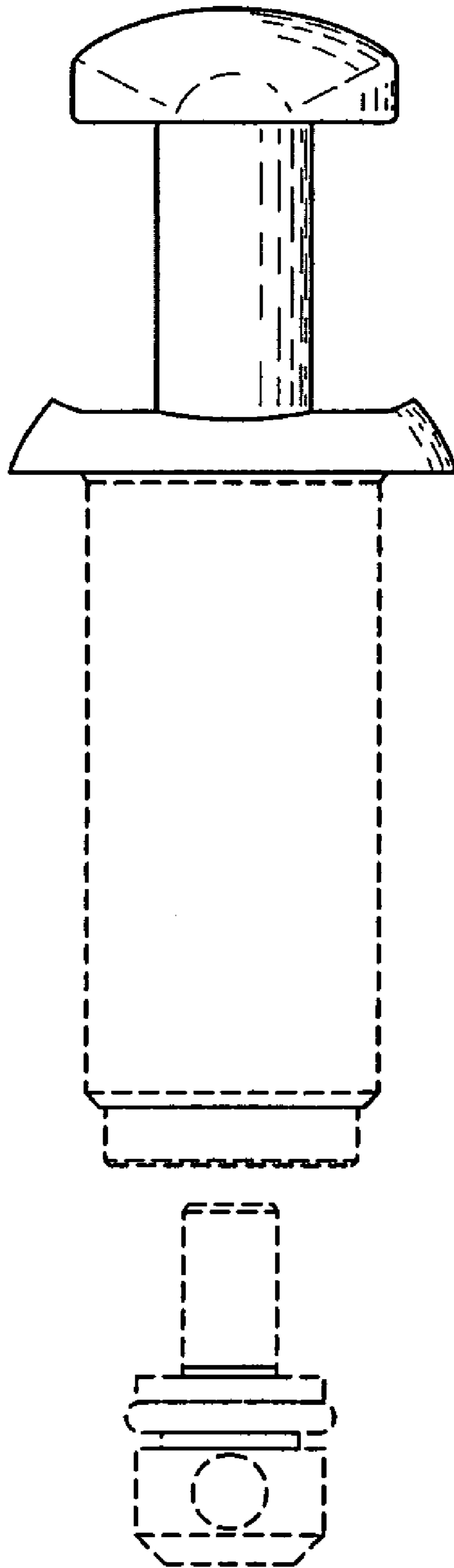
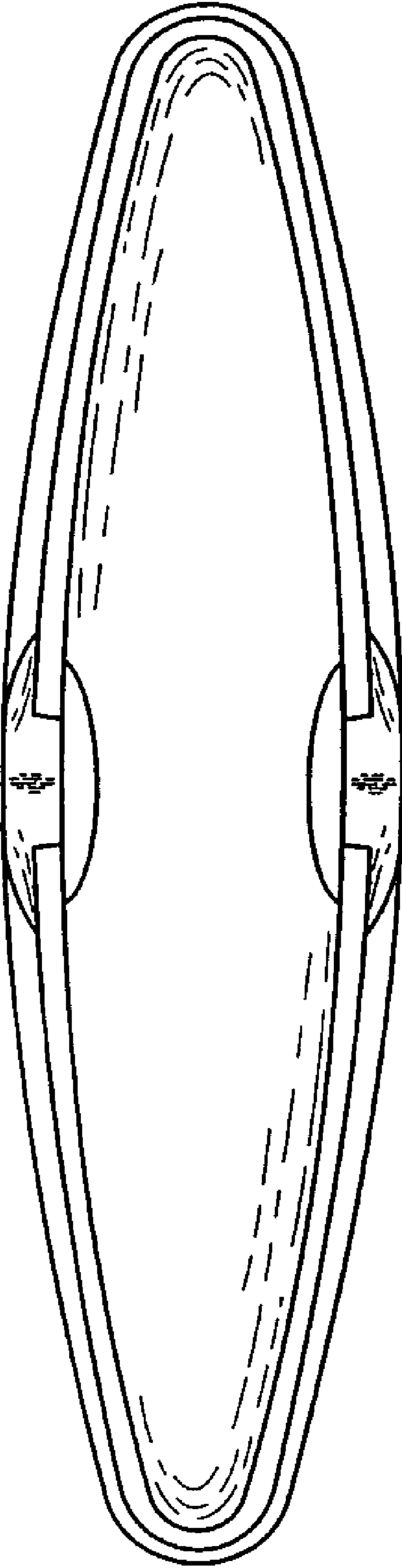


FIG. 3



**FIG. 4**



**FIG. 5**