



US00D551538S

(12) **United States Design Patent**
Pearce

(10) **Patent No.:** **US D551,538 S**

(45) **Date of Patent:** **** Sep. 25, 2007**

(54) **FORMWORK BRACKET**

(75) Inventor: **James Gordon Pearce**, North Adelaide (AU)

(73) Assignee: **SRB Construction Technologies Pty Ltd**, Mount Barker, South Australia (AU)

(**) Term: **14 Years**

(21) Appl. No.: **29/240,331**

(22) Filed: **Oct. 12, 2005**

(30) **Foreign Application Priority Data**

Apr. 18, 2005 (AU) 11547/2005

(51) **LOC (8) Cl.** **08-05**

(52) **U.S. Cl.** **D8/354**

(58) **Field of Classification Search** D8/354, D8/349; 264/130; 248/300, 200, 295.11
See application file for complete search history.

(56) **References Cited**

U.S. PATENT DOCUMENTS

- D306,964 S * 4/1990 Zupancic D8/354
- D314,326 S * 2/1991 Sachs D8/373
- D436,310 S * 1/2001 Arnold D8/354
- D442,469 S * 5/2001 Roozen et al. D8/354
- 6,669,156 B2 * 12/2003 East et al. 248/300

2003/0155683 A1 8/2003 Petrobon

FOREIGN PATENT DOCUMENTS

WO WO 01/96690 A1 12/2001

* cited by examiner

Primary Examiner—Holly H. Baynham

(74) *Attorney, Agent, or Firm*—Klauber & Jackson LLC

(57) **CLAIM**

The ornamental design for a formwork bracket, as shown.

DESCRIPTION

FIG. 1 is a perspective view of an assembly of a formwork bracket of my new design, comprising a pair of identical formwork brackets positioned in juxtaposition to each other, and a fastener therefor;

FIG. 2 is a view similar to FIG. 1 showing the fastener in position with said formwork brackets;

FIG. 3 is a right-hand upper perspective view of an individual formwork bracket of my new design;

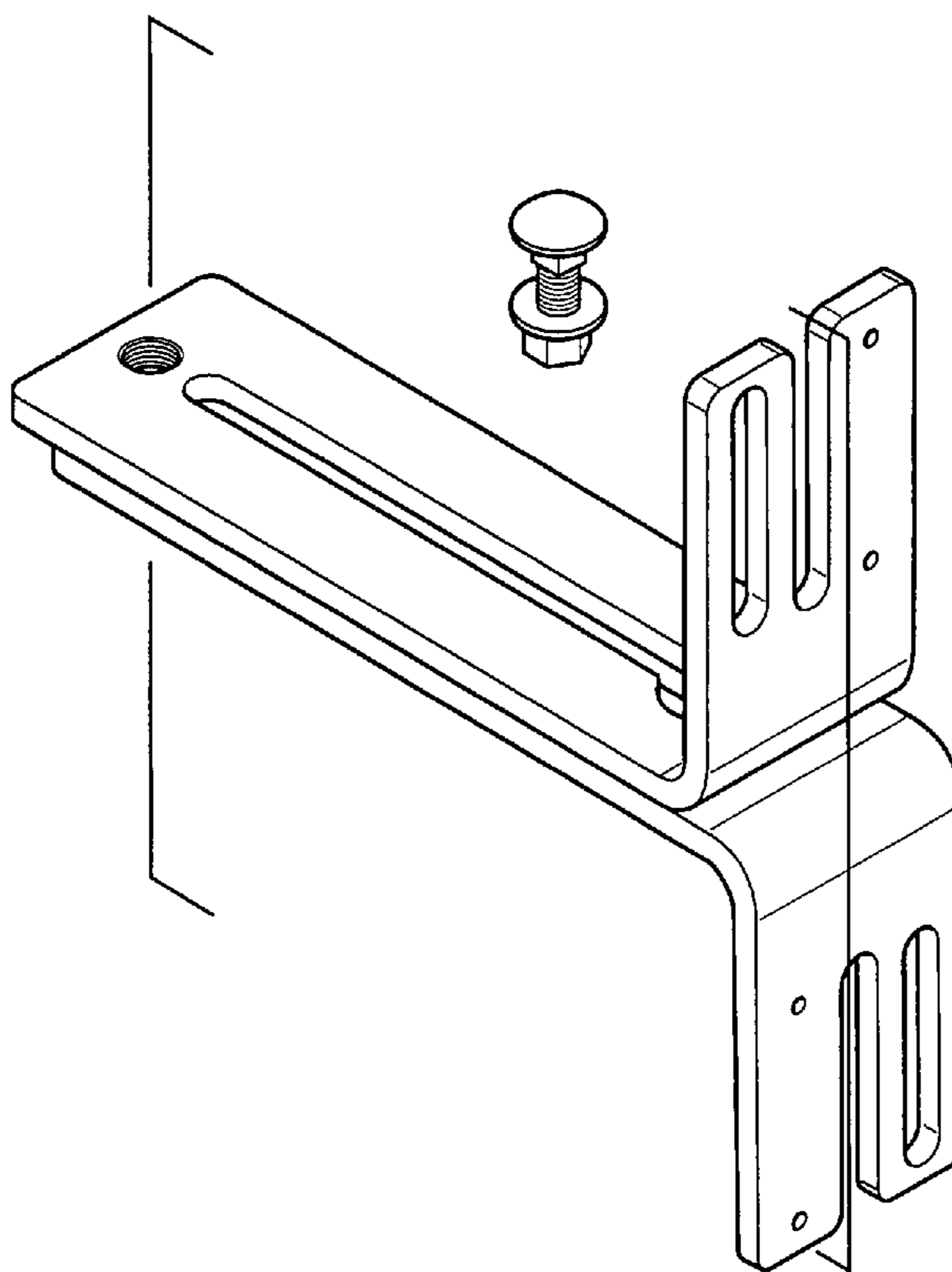
FIG. 4 is a top view of the formwork bracket of FIG. 3;

FIG. 5 is a right side elevational view of the formwork bracket of FIG. 3, the left side being identical thereto; and,

FIG. 6 is a front end elevational view of the formwork bracket of FIG. 3.

The bracket is shown separately in FIGS. 3–6 for ease and clarity of illustration.

1 Claim, 2 Drawing Sheets



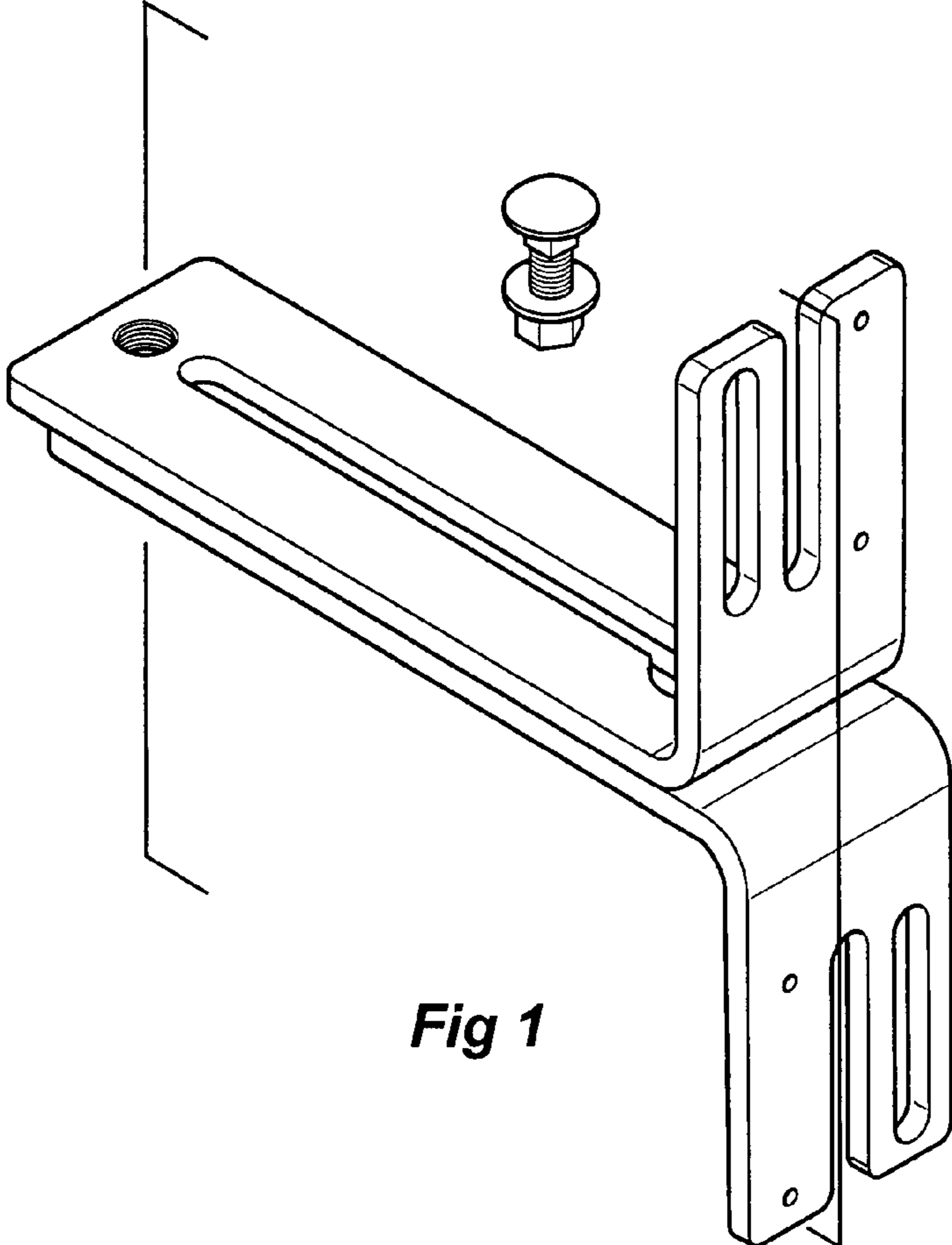


Fig 1

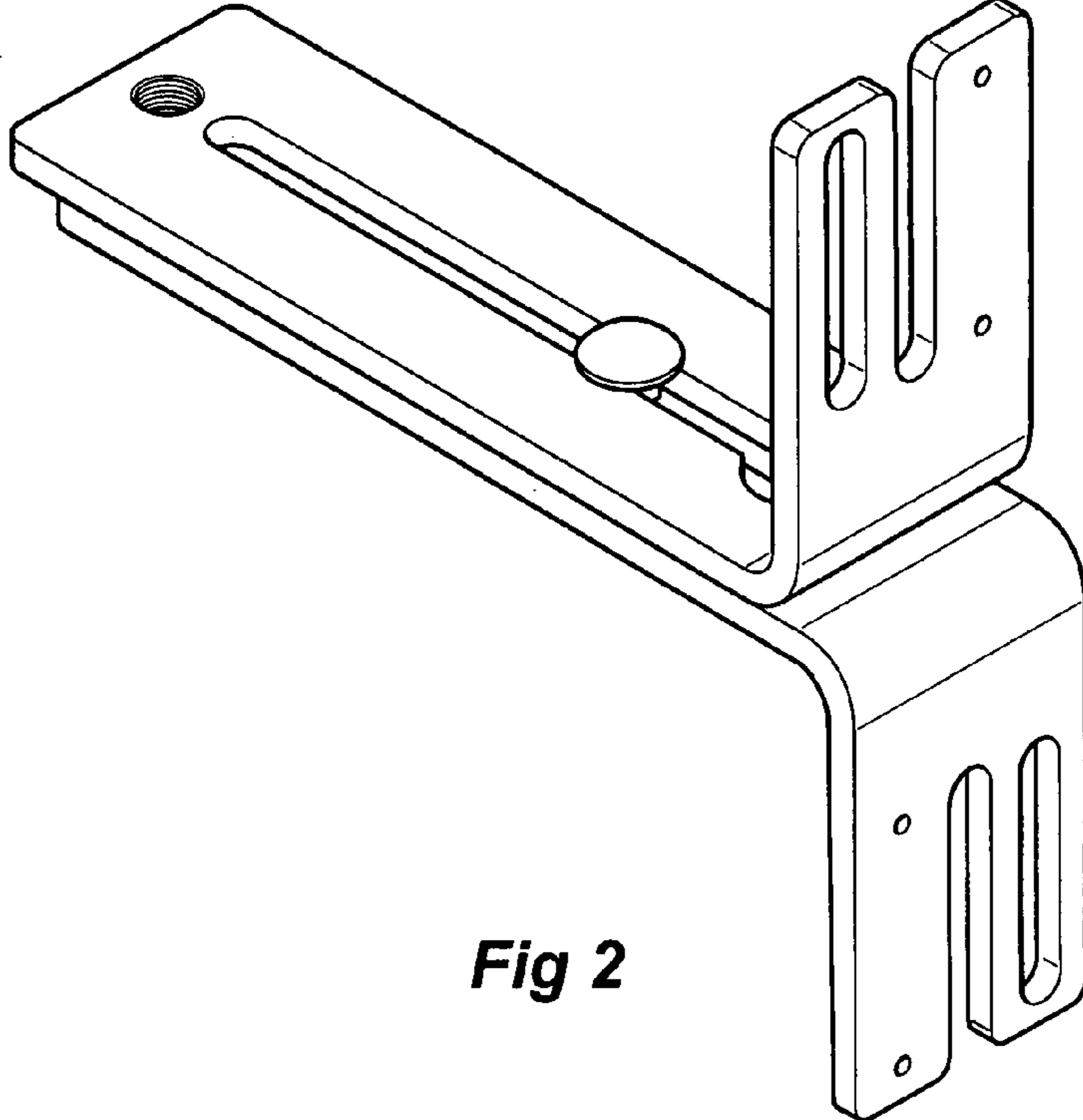


Fig 2

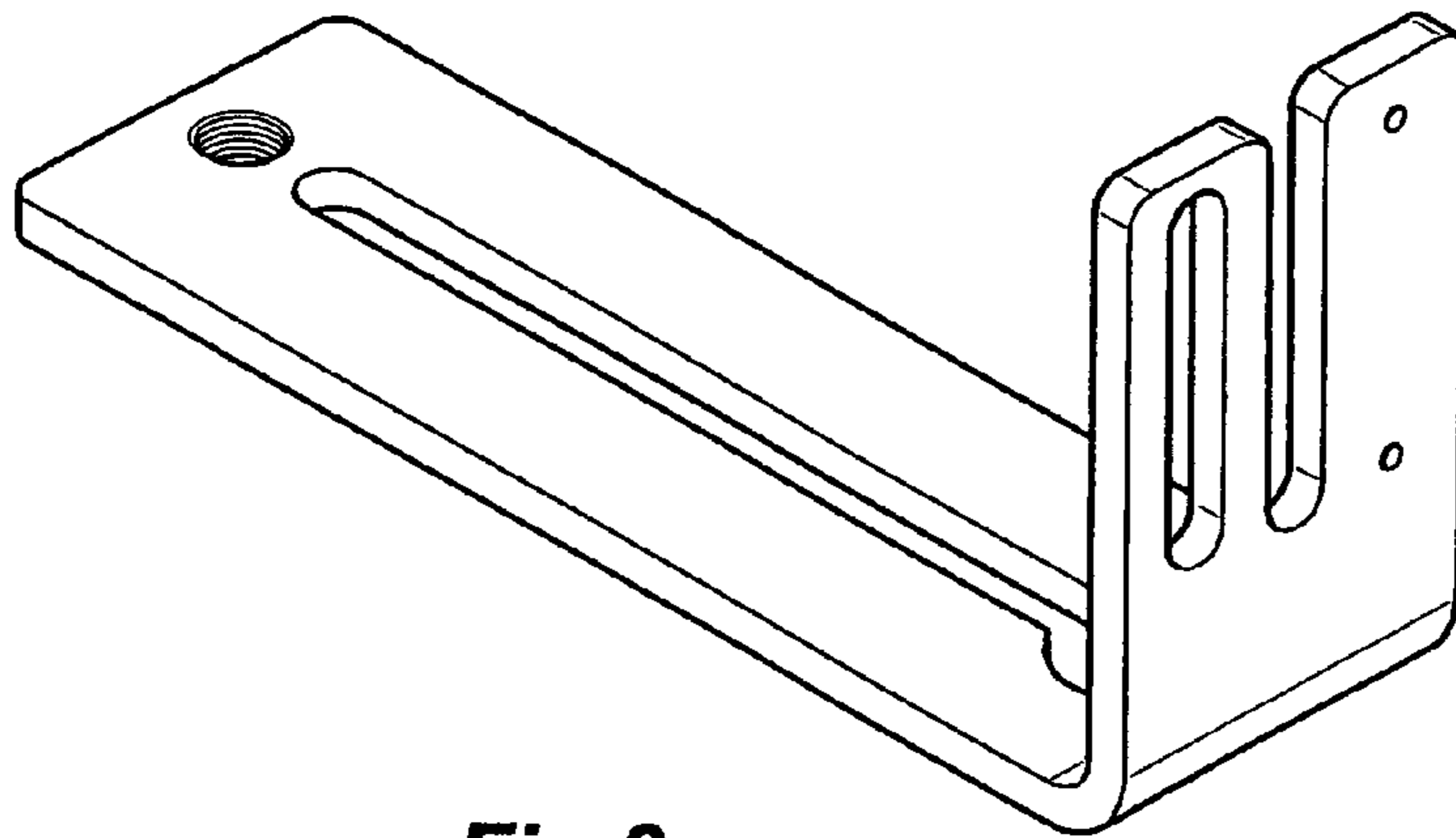


Fig 3

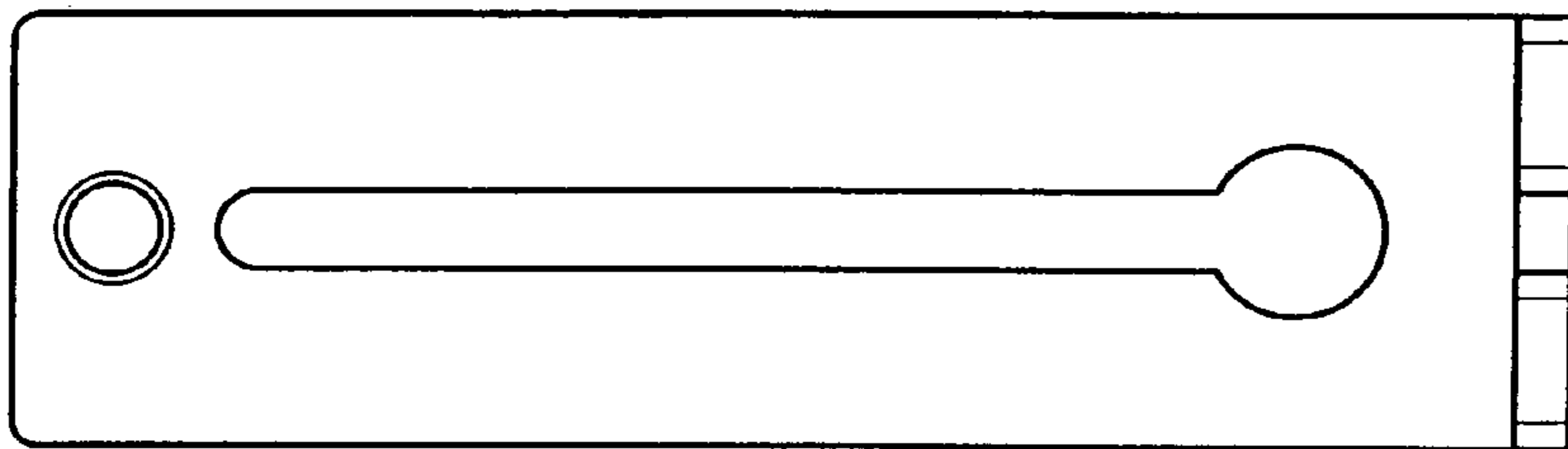


Fig 4

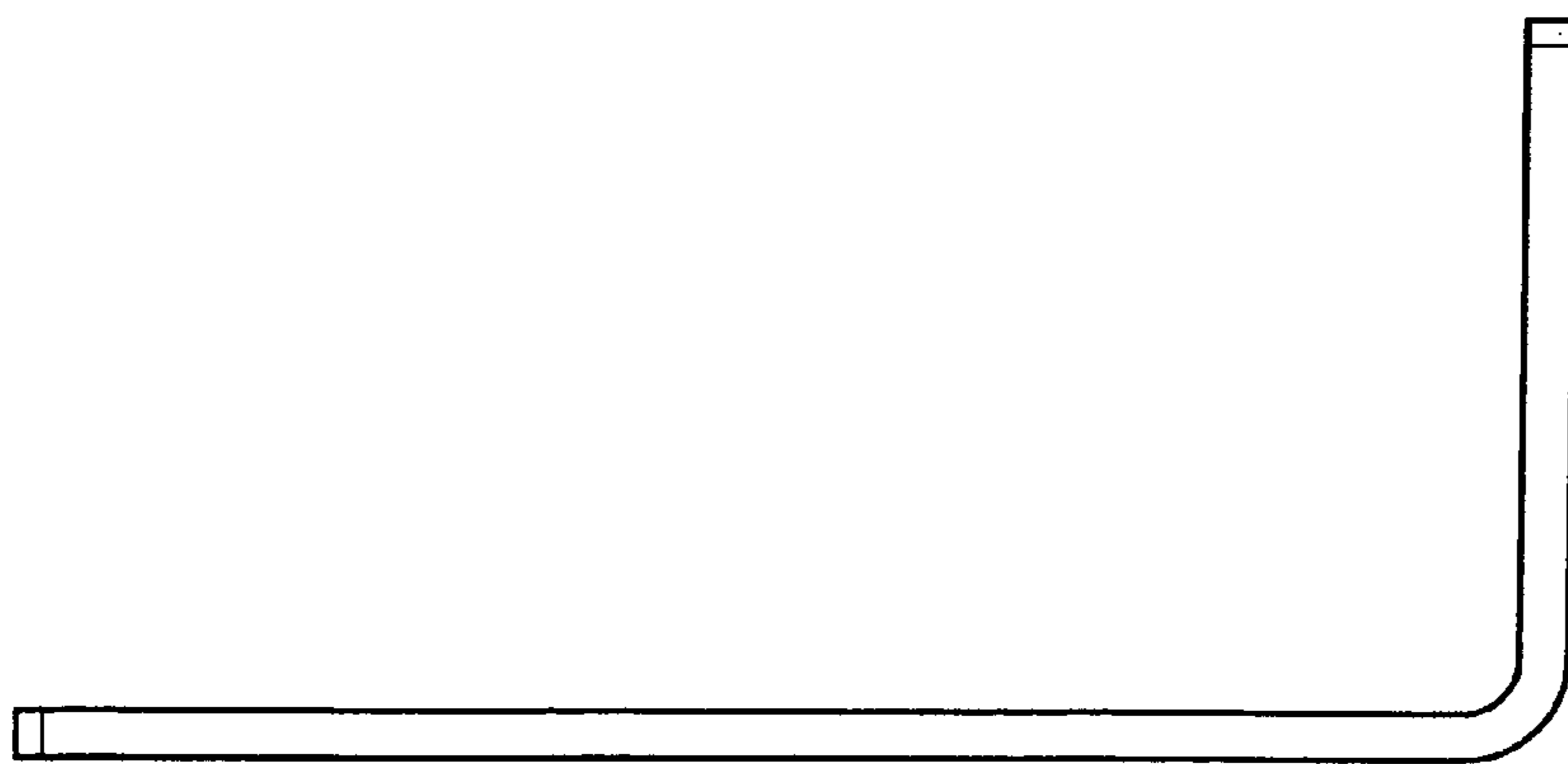


Fig 5

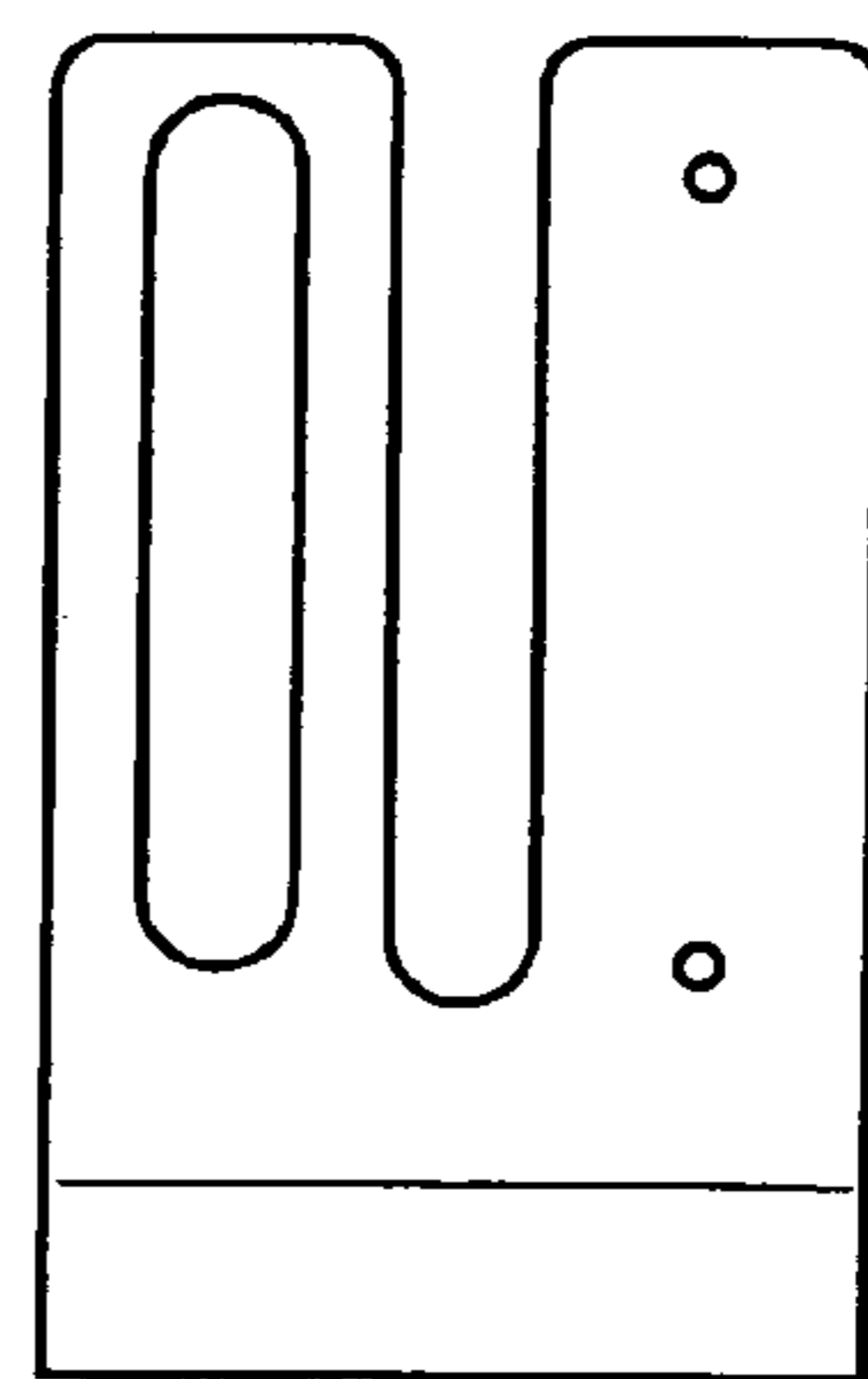


Fig 6