



US00D551534S

(12) **United States Design Patent**
Liang et al.

(10) **Patent No.:** **US D551,534 S**

(45) **Date of Patent:** **** Sep. 25, 2007**

(54) **HANDLE**

(75) Inventors: **Luke Liang**, South Plainfield, NJ (US);
Toni Liang, Guangzhou (CN); **David Chen**, Guangzhou (CN)

(73) Assignee: **Vision Industries**, So. Plainfield, NJ (US)

(**) Term: **14 Years**

(21) Appl. No.: **29/256,411**

(22) Filed: **Mar. 20, 2006**

(51) **LOC (8) Cl.** **08-06**

(52) **U.S. Cl.** **D8/301; D8/317; D8/319**

(58) **Field of Classification Search** D8/300,
D8/301, 302, 305, 307, 312, 315-320, 350,
D8/352, 353; 16/110.1, 402, 412, 415, 443,
16/429; 292/336.3, 357, 114, 62, 67, DIG. 53;
70/99

See application file for complete search history.

(56) **References Cited**

U.S. PATENT DOCUMENTS

3,381,990	A *	5/1968	Kreger	292/62
5,210,905	A *	5/1993	Dietz et al.	16/429
D340,398	S *	10/1993	Clancy	D8/302
D384,568	S *	10/1997	Mantarakis et al.	D8/301
6,023,952	A *	2/2000	Mantarakis et al.	70/99
D427,878	S *	7/2000	Frey	D8/302
D431,994	S *	10/2000	Libby et al.	D8/301
D448,647	S *	10/2001	Goldsbury	D8/319
D452,130	S *	12/2001	Richardson	D8/319
D470,389	S *	2/2003	Richardson	D8/319
6,641,186	B2 *	11/2003	Tsai	292/357
D501,392	S *	2/2005	Roberts et al.	D8/315

D514,423 S * 2/2006 Timothy D8/300

* cited by examiner

Primary Examiner—Paula A. Greene

(74) *Attorney, Agent, or Firm*—Thomas A. O'Rourke;
Bodner & O'Rourke, LLP

(57) **CLAIM**

The ornamental design for handle, as shown and described.

DESCRIPTION

FIG. 1 is a top view of the handle of the present invention.

FIG. 2 is an end elevational view of the handle of FIG. 1, the opposite end elevational view is a mirror image;

FIG. 3 is a front view of the handle of FIG. 1.

FIG. 4 is a rear view of the handle of FIG. 1.

FIG. 5 is a bottom view of the handle of FIG. 1.

FIG. 6 is a side inverted view of the handle of FIG. 1. The opposite side is a mirror image of this figure.

FIG. 7 is a perspective view of the handle of FIG. 1.

FIG. 8 is a top view of an alternative embodiment of the handle of FIG. 1.

FIG. 9 is a side elevational view of the handle of FIG. 8, the opposite side is a mirror image;

FIG. 10 is a front view of the handle of FIG. 8.

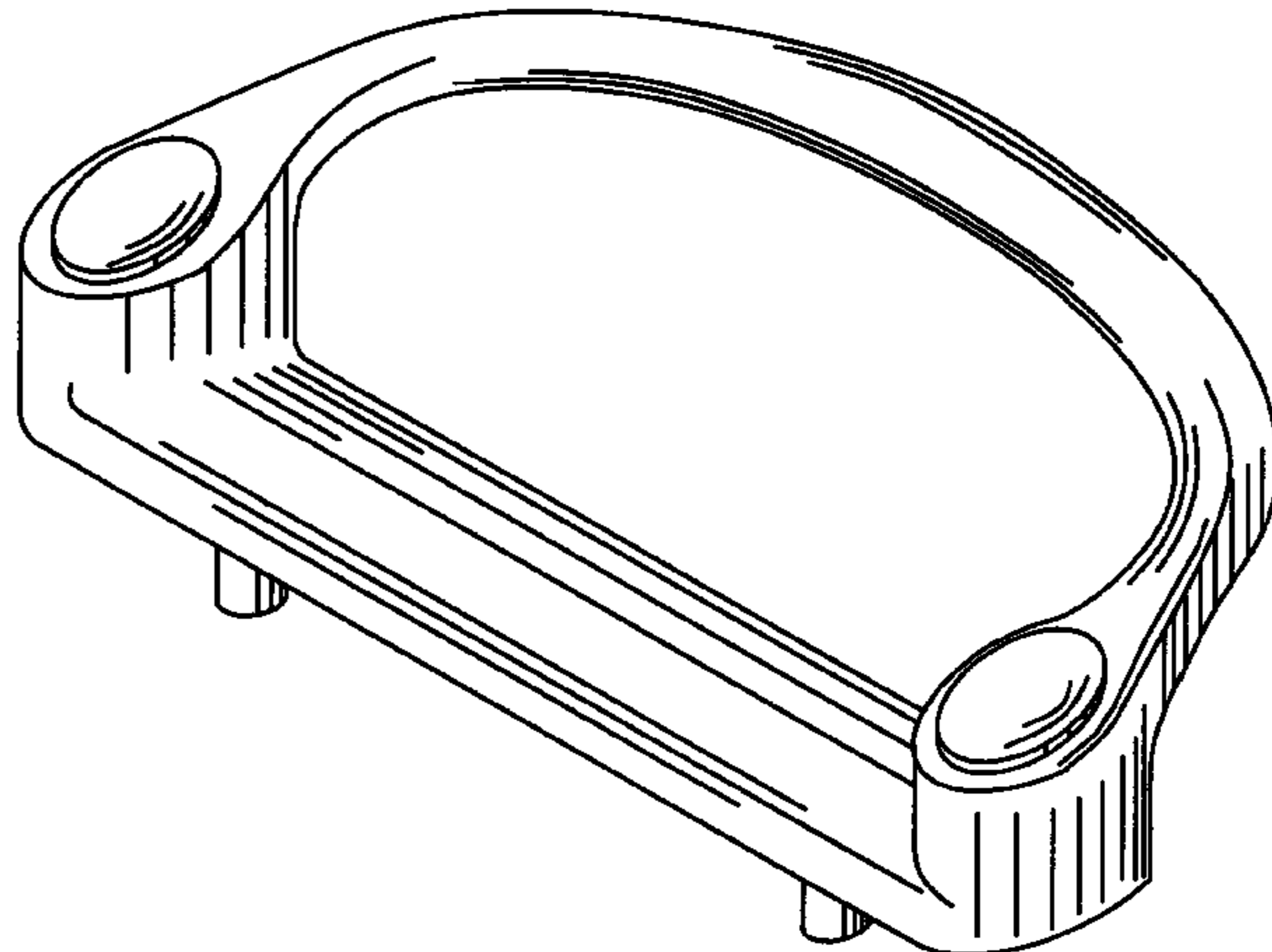
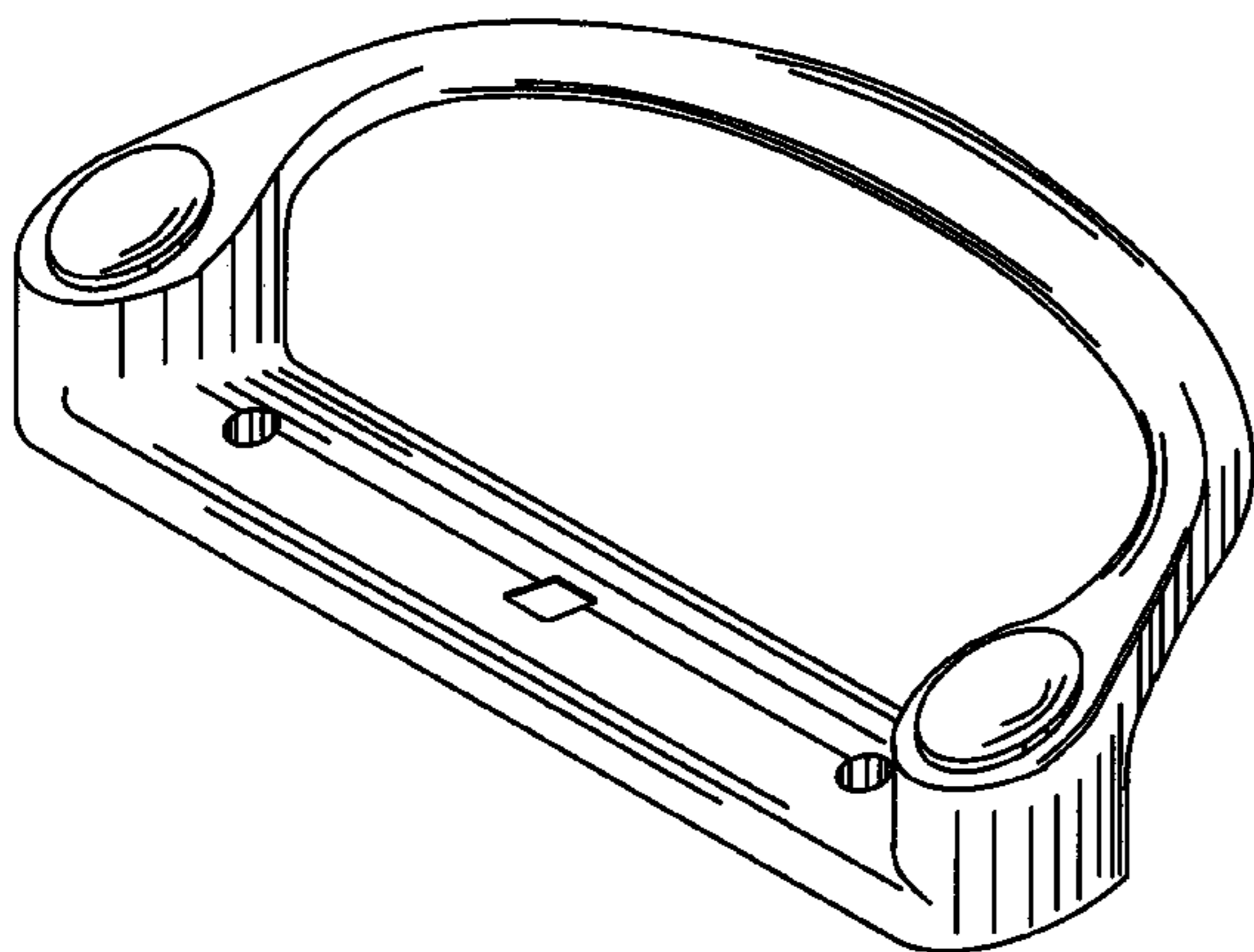
FIG. 11 is a rear view of the handle of FIG. 8.

FIG. 12 is a bottom view of the handle of FIG. 8.

FIG. 13 is an inverted side view of the handle of FIG. 8, the opposite side is a mirror image; and,

FIG. 14 is a perspective view of the handle of FIG. 8.

1 Claim, 8 Drawing Sheets



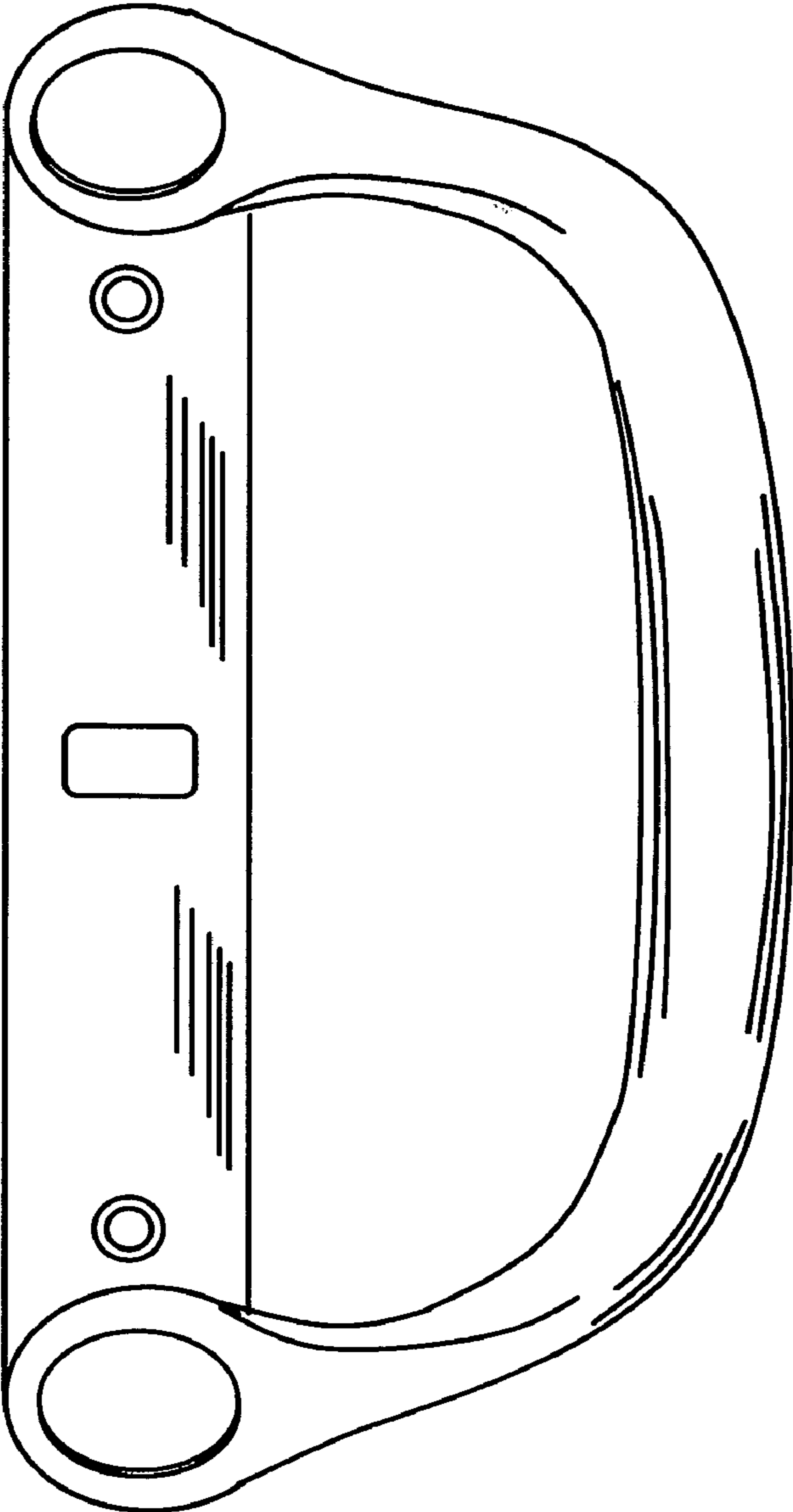


FIG. 1

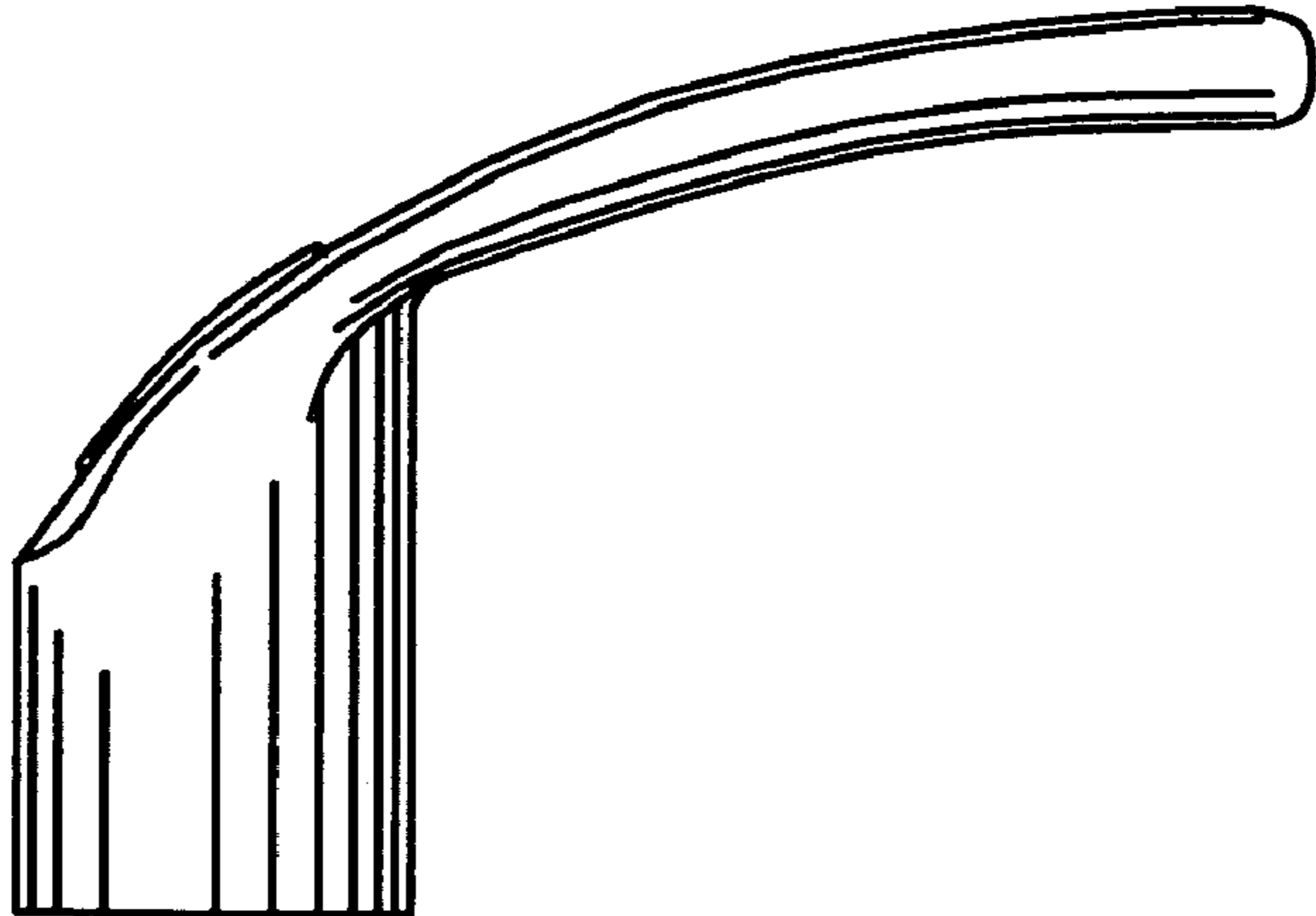


FIG. 2

FIG. 3

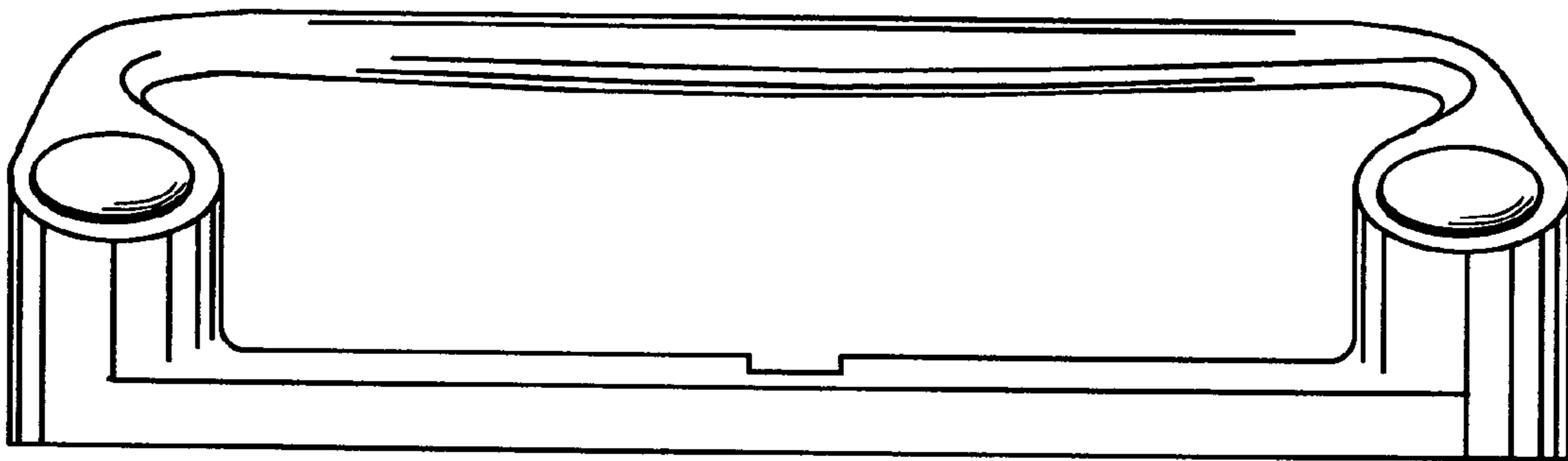
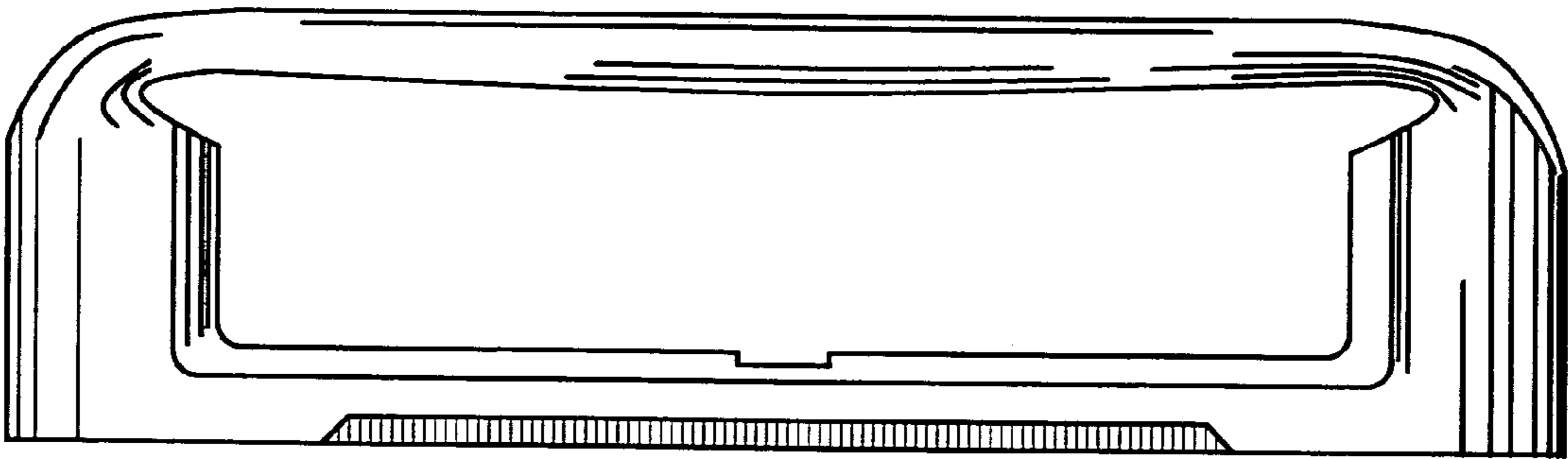


FIG. 4



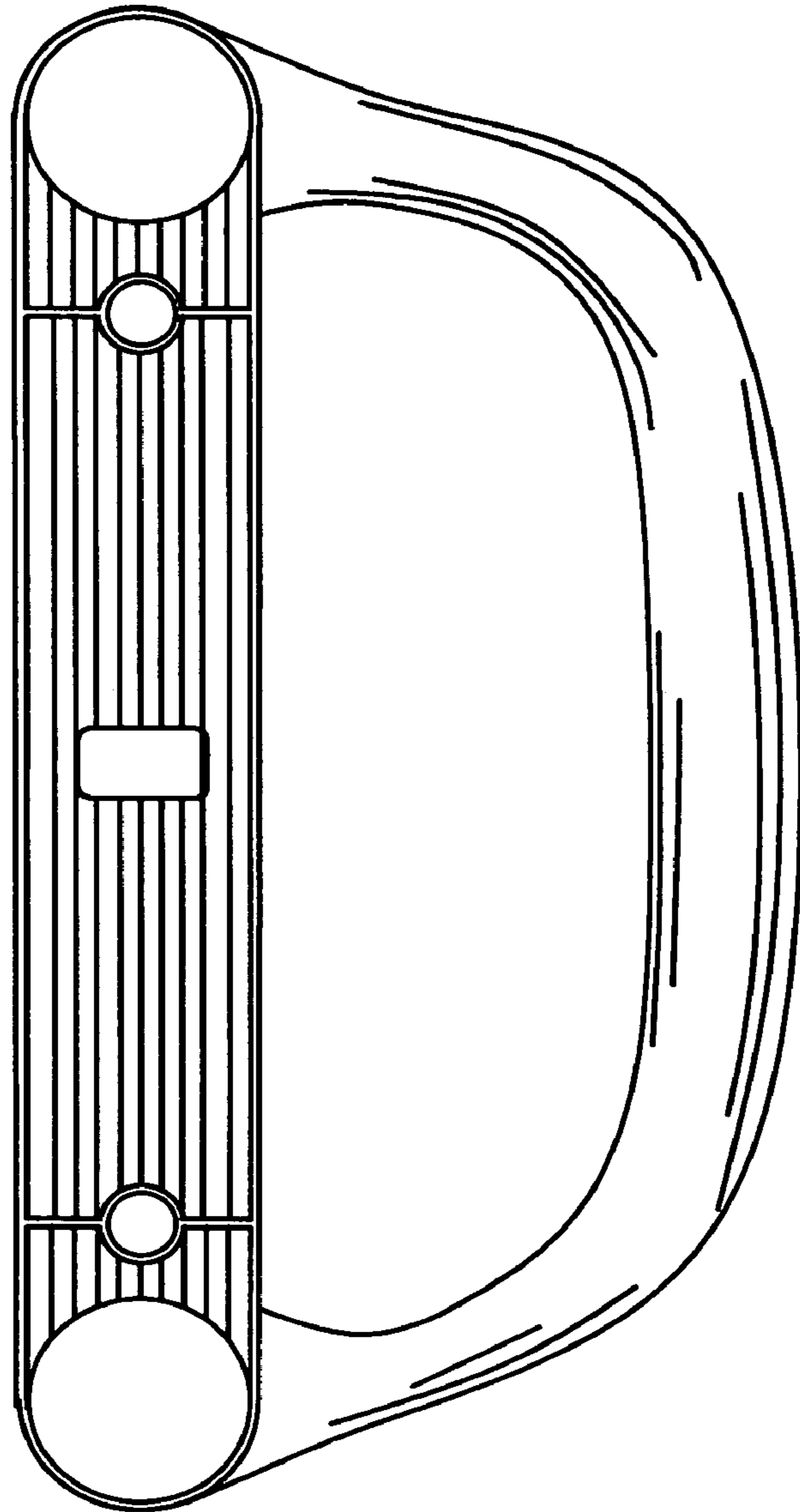


FIG. 5

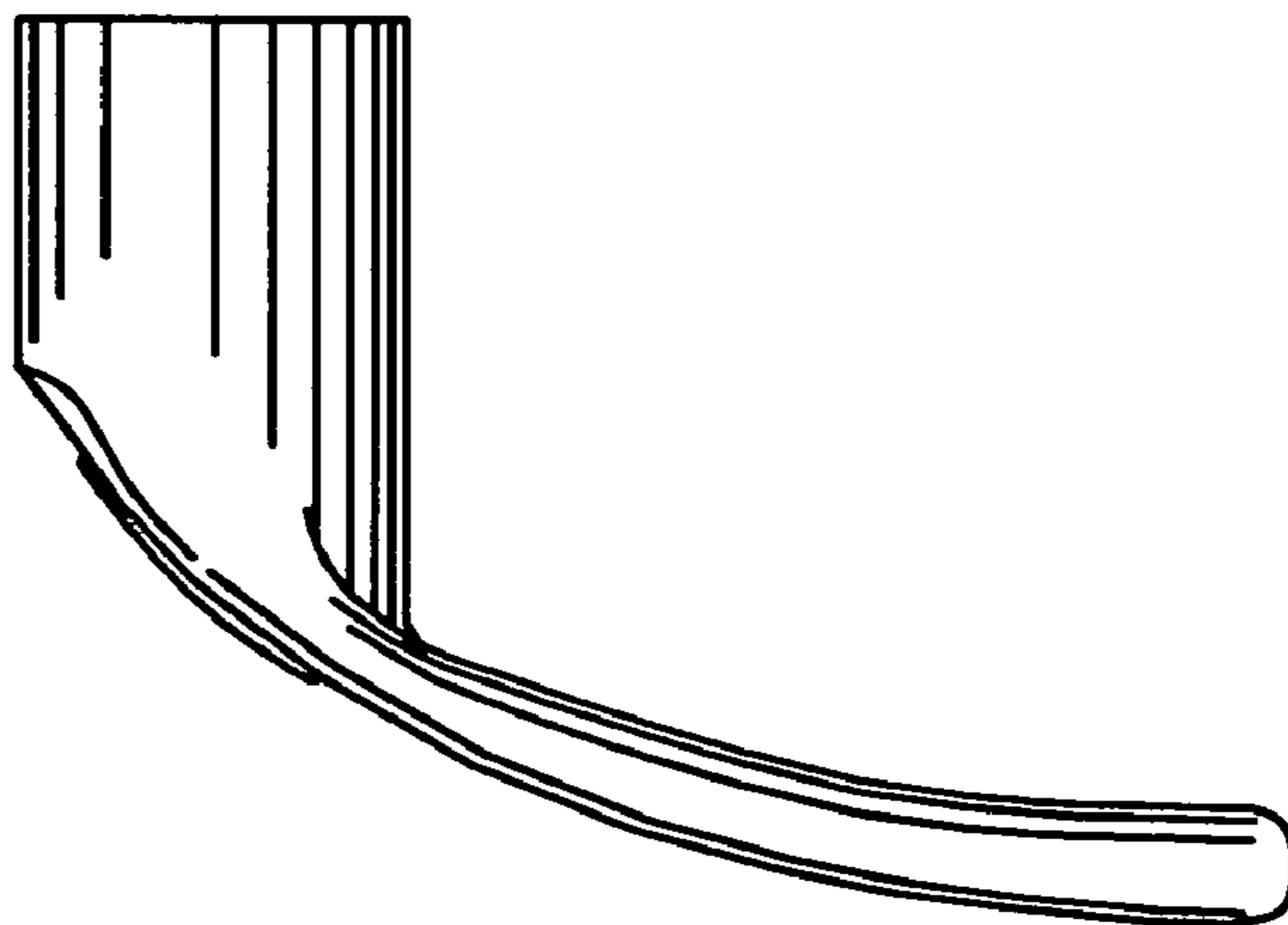


FIG. 6

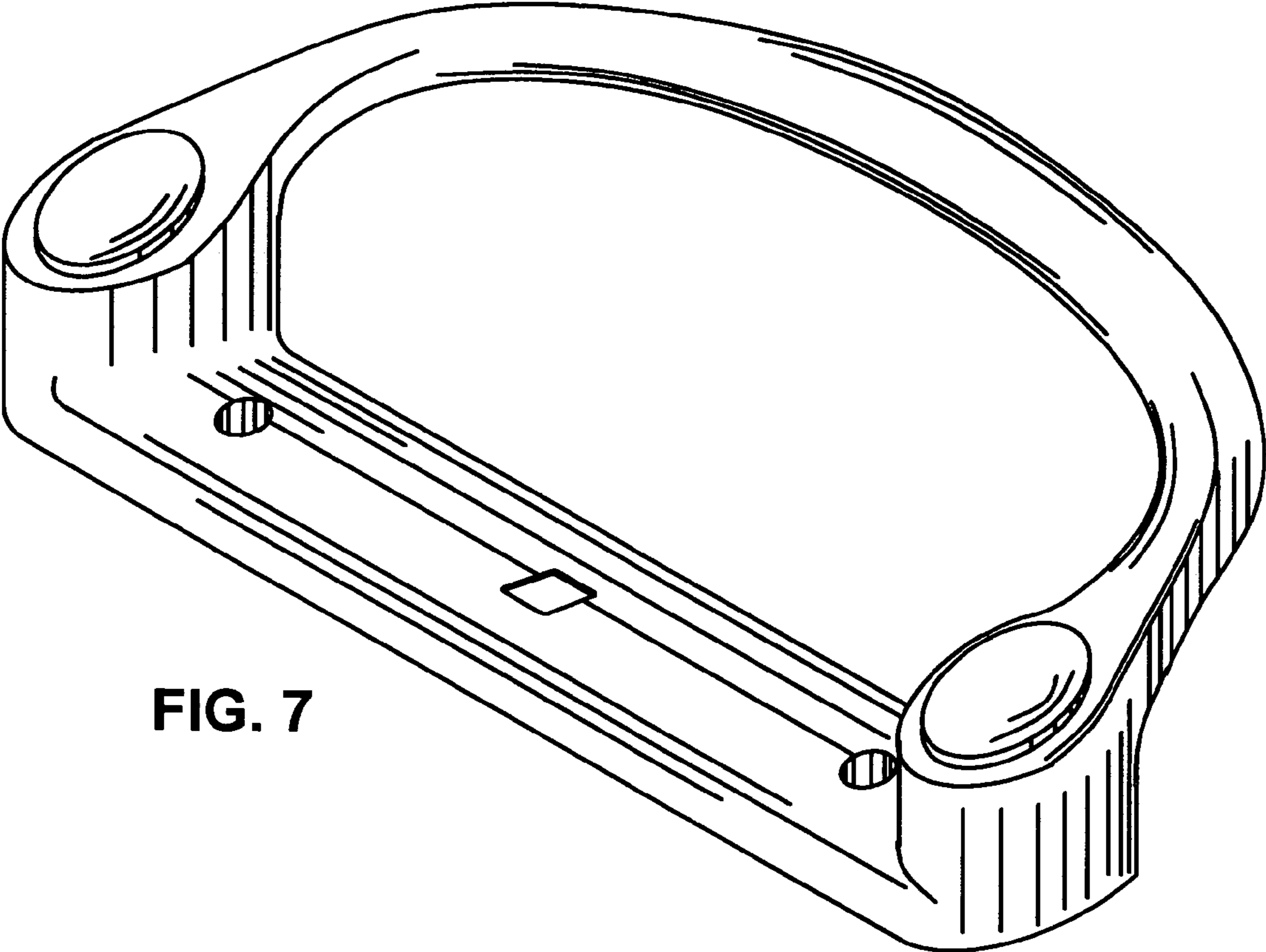


FIG. 7

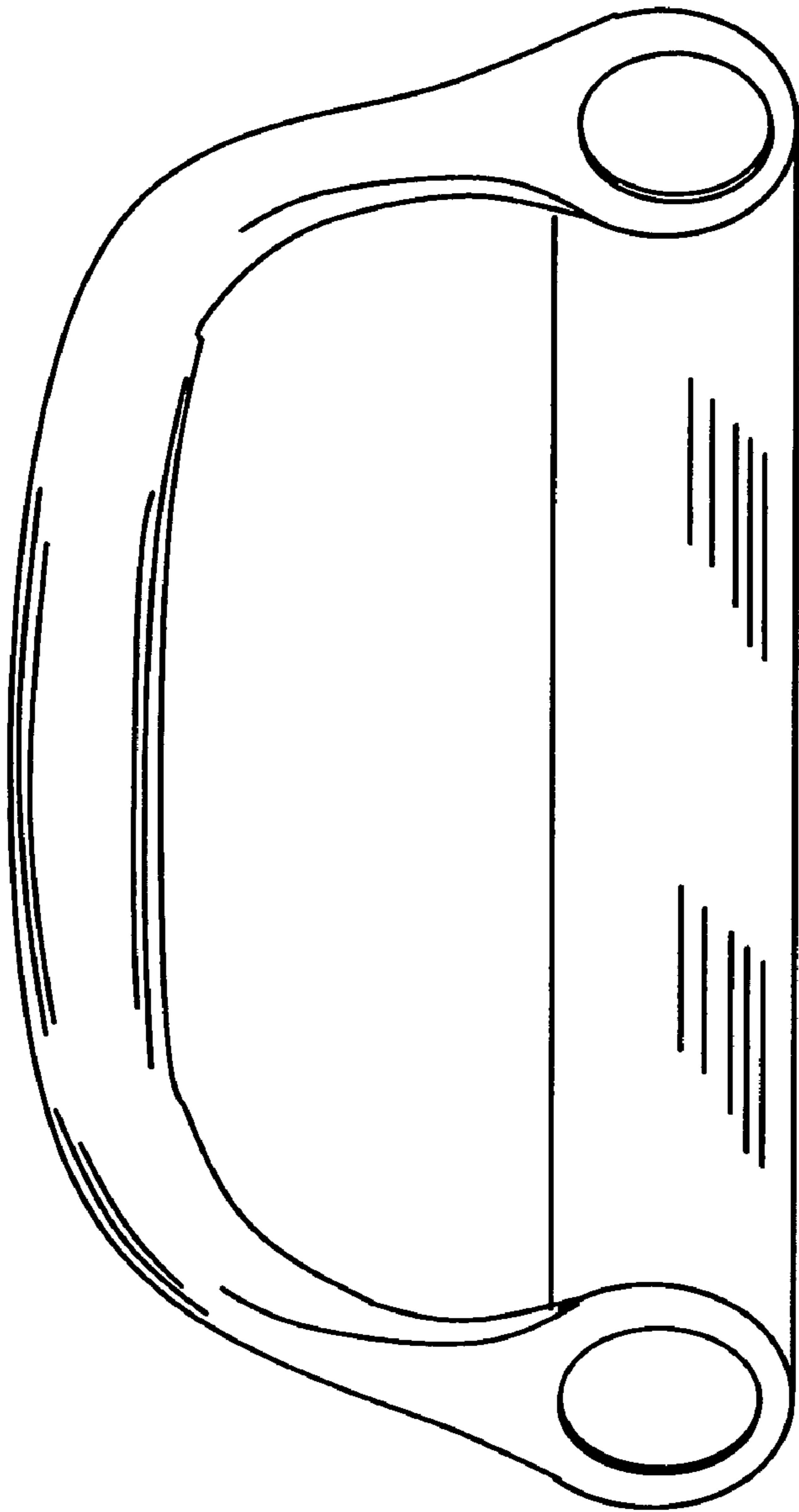


FIG. 8

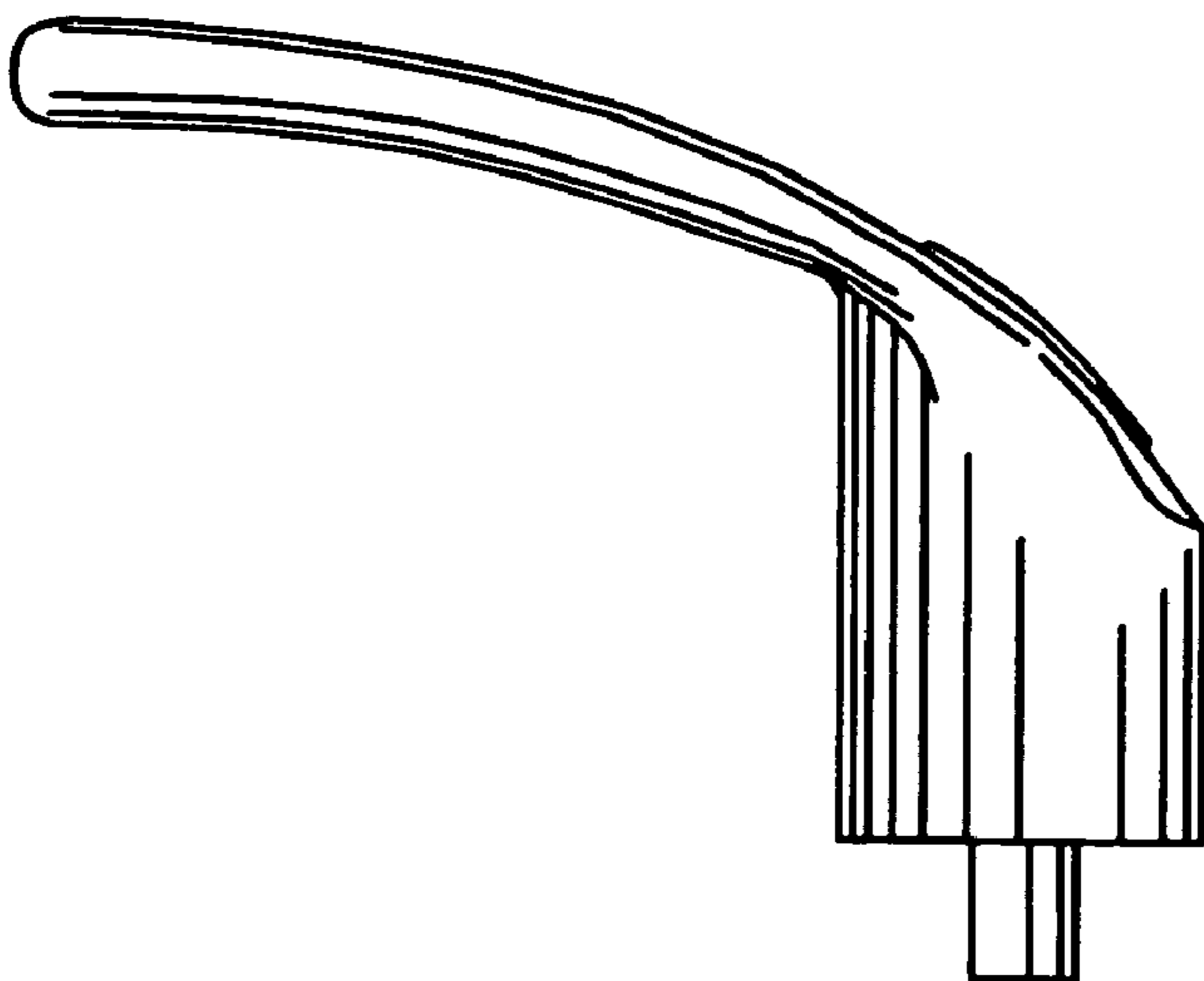


FIG. 9

FIG. 10

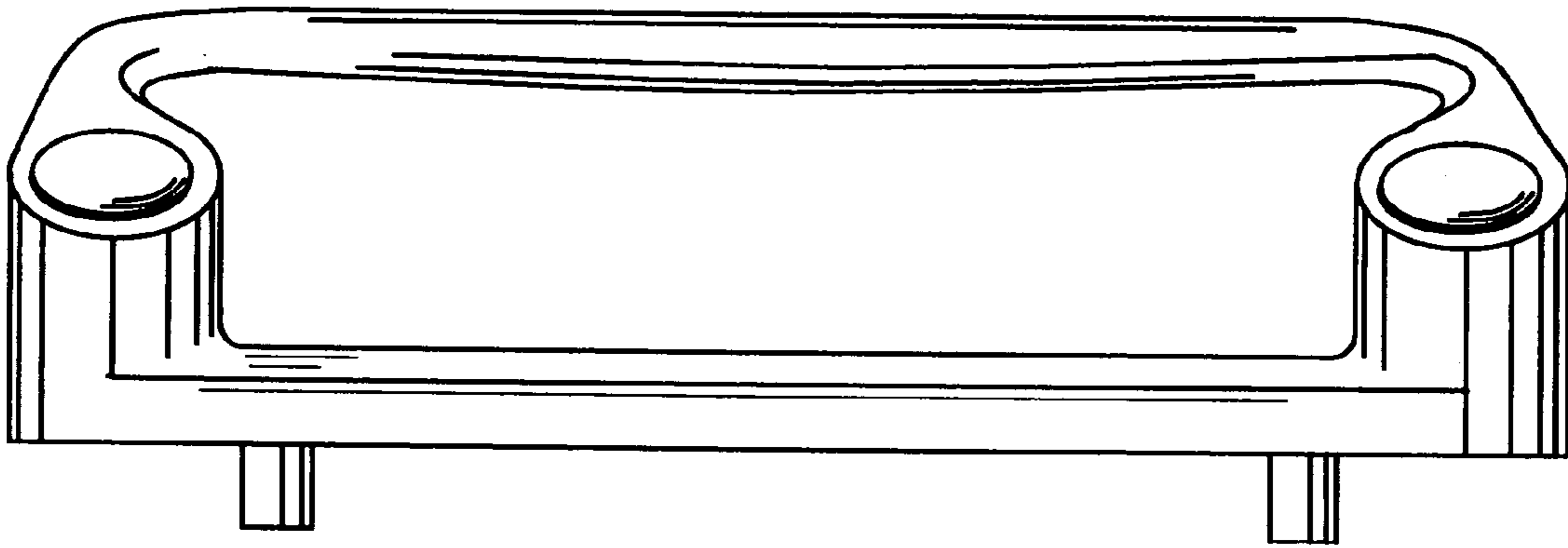
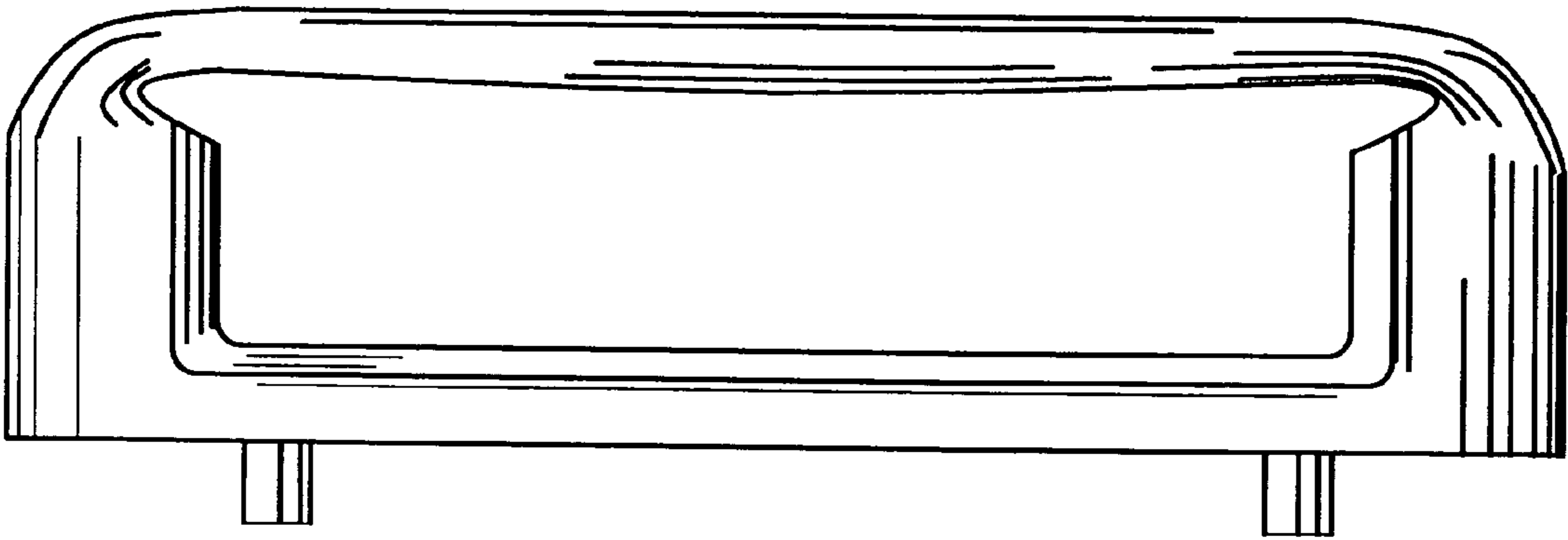


FIG. 11



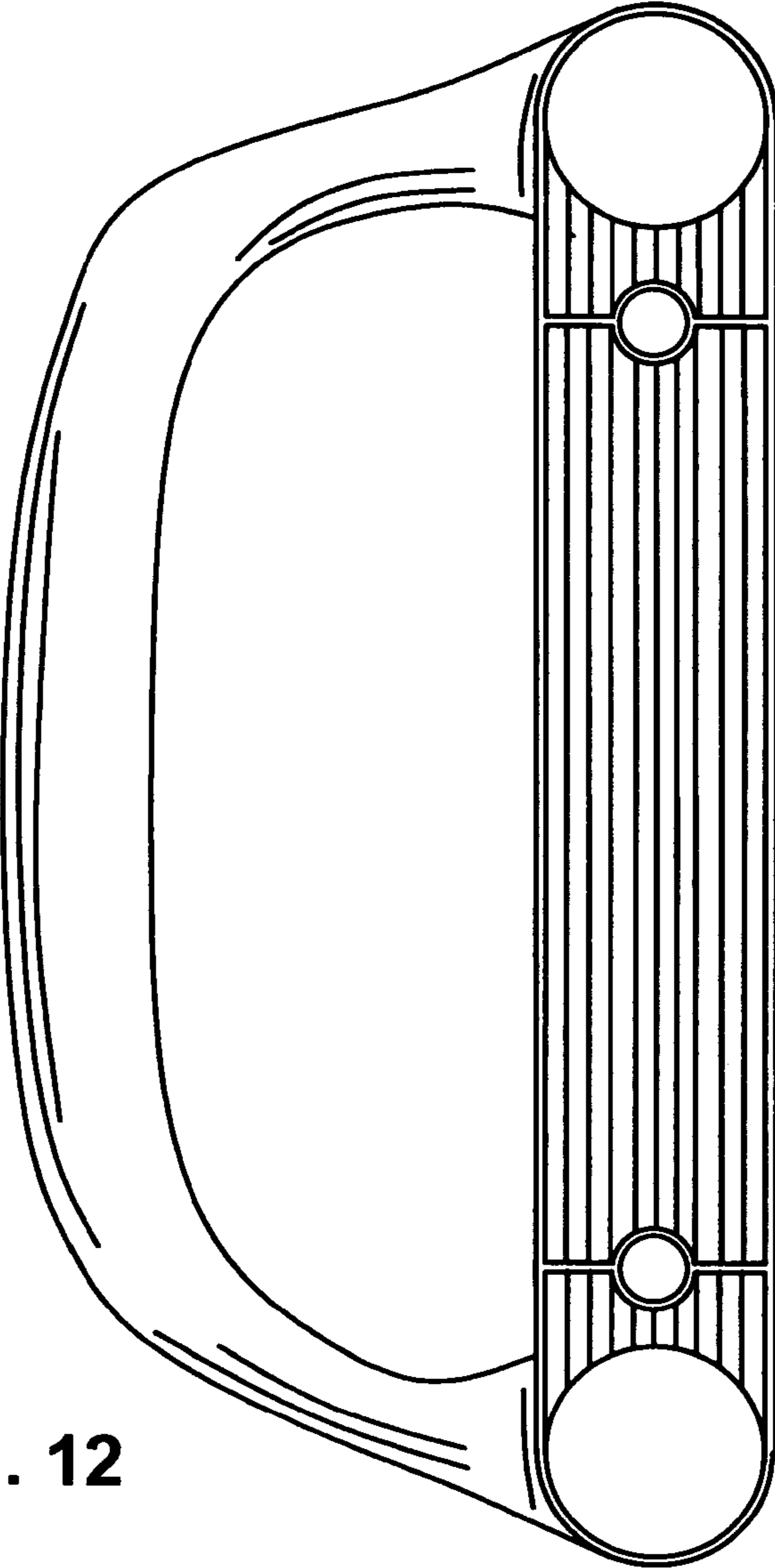


FIG. 12

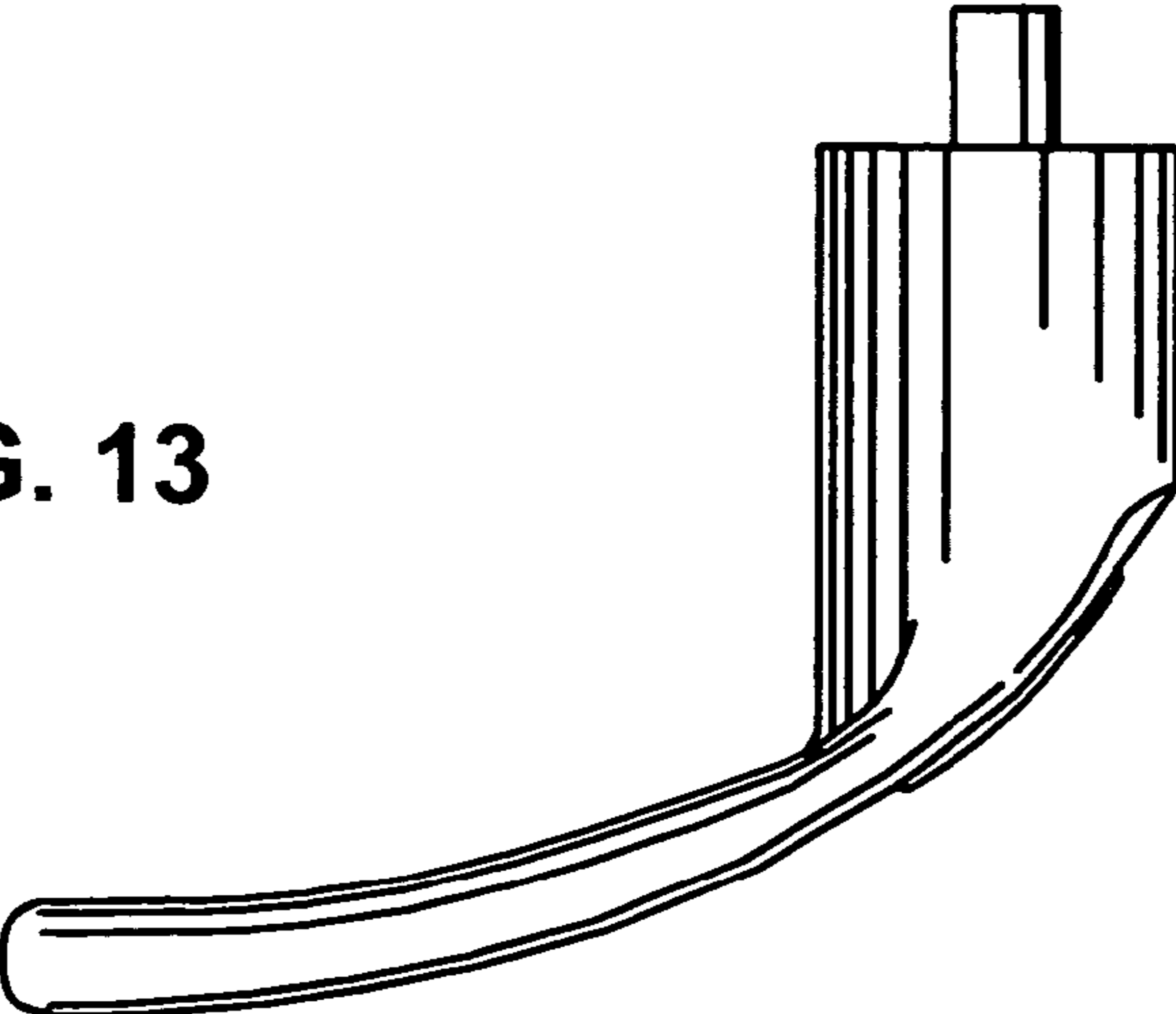


FIG. 13

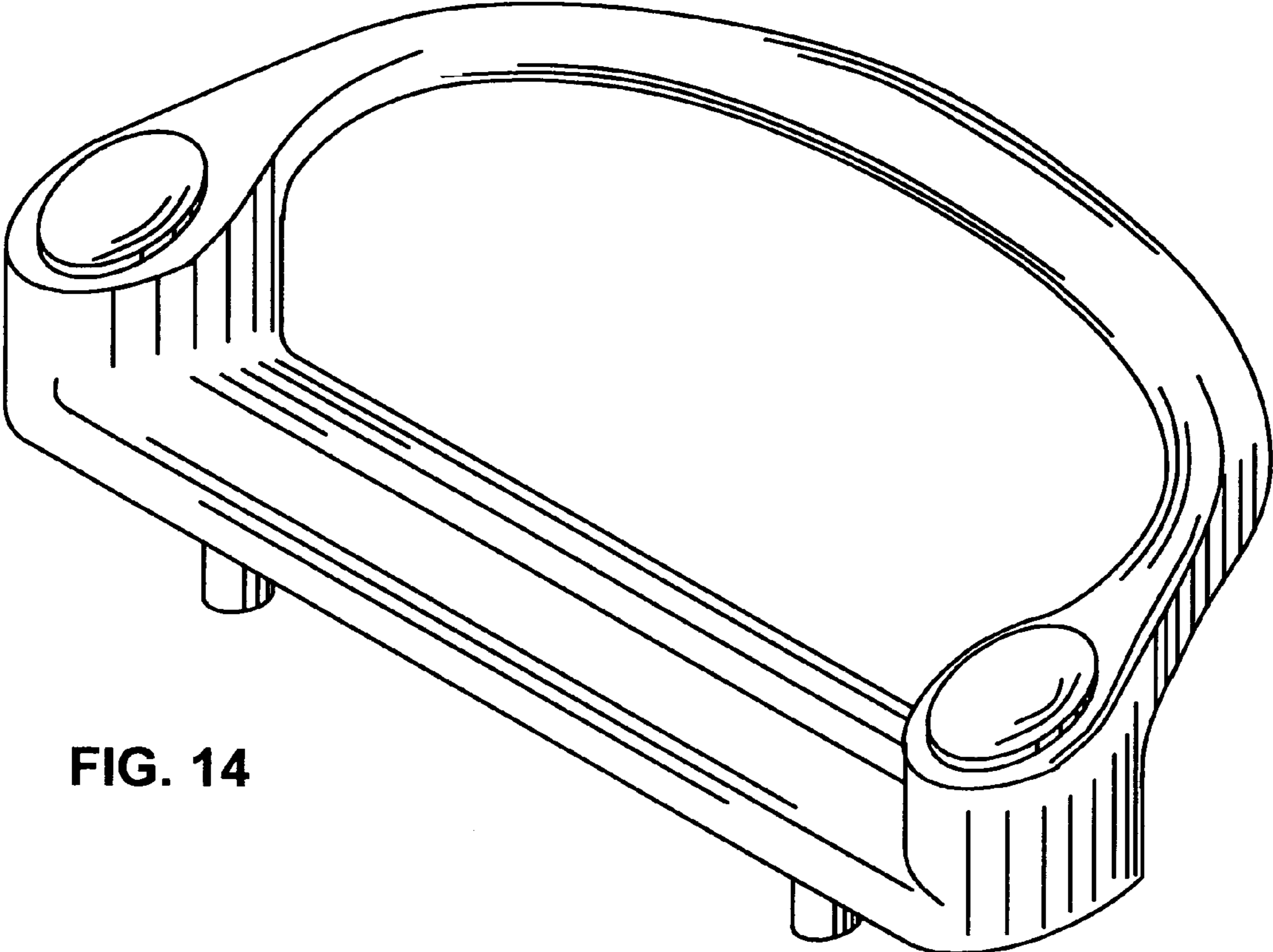


FIG. 14