



US00D551533S

(12) **United States Design Patent** (10) **Patent No.:** **US D551,533 S**
Lam (45) **Date of Patent:** **** Sep. 25, 2007**

(54) **TWO PARALLEL FOLDING KNIVES ATTACHED BY BRIDGING DEVICES**

(75) Inventor: **Wen Choon Lam**, East Elmhurst, NY (US)

(73) Assignee: **Master Cutlery Inc.**, Secaucus, NJ (US)

(**) Term: **14 Years**

(21) Appl. No.: **29/257,084**

(22) Filed: **Mar. 29, 2006**

Related U.S. Application Data

(63) Continuation-in-part of application No. 29/230,078, filed on May 17, 2005, now abandoned.

(51) **LOC (8) Cl.** **08-03**

(52) **U.S. Cl.** **D8/99; D22/118**

(58) **Field of Classification Search** D8/98, D8/99; 30/304, 155, 156, 157, 158, 159, 30/160; D22/117, 118

See application file for complete search history.

(56) **References Cited**

U.S. PATENT DOCUMENTS

4,472,879 A * 9/1984 Sizemore, Jr. 30/304

(Continued)

Primary Examiner—Philip S. Hyder

(74) *Attorney, Agent, or Firm*—Walter J. Tencza, Jr.

(57) **CLAIM**

I claim the ornamental design for the two parallel folding knives attached by bridging devices, as shown and described.

DESCRIPTION

FIG. 1 is top right perspective view of the two parallel folding knives attached by bridging devices showing my new design, wherein the two knives are each in a fully opened state;

FIG. 2 is a front view of the two parallel folding knives attached by bridging devices, with the two knives each in a fully opened state;

FIG. 3 is a rear view of the two parallel folding knives attached by bridging devices, with the two knives each in a fully opened state;

FIG. 4 is a left side view of the two parallel folding knives attached by bridging devices, with the two knives each in a fully opened state;

FIG. 5 is a top view of the two parallel folding knives attached by bridging devices, with the two knives each in a fully opened state;

FIG. 6 is a bottom view of the two parallel folding knives attached by bridging devices, with the two knives each in a fully opened state;

FIG. 7 is top right perspective view of the two parallel folding knives attached by bridging devices showing my new design, wherein the two knives are each in a fully closed state;

FIG. 8 is a front view of the two parallel folding knives attached by bridging devices, with the two knives each in a fully closed state;

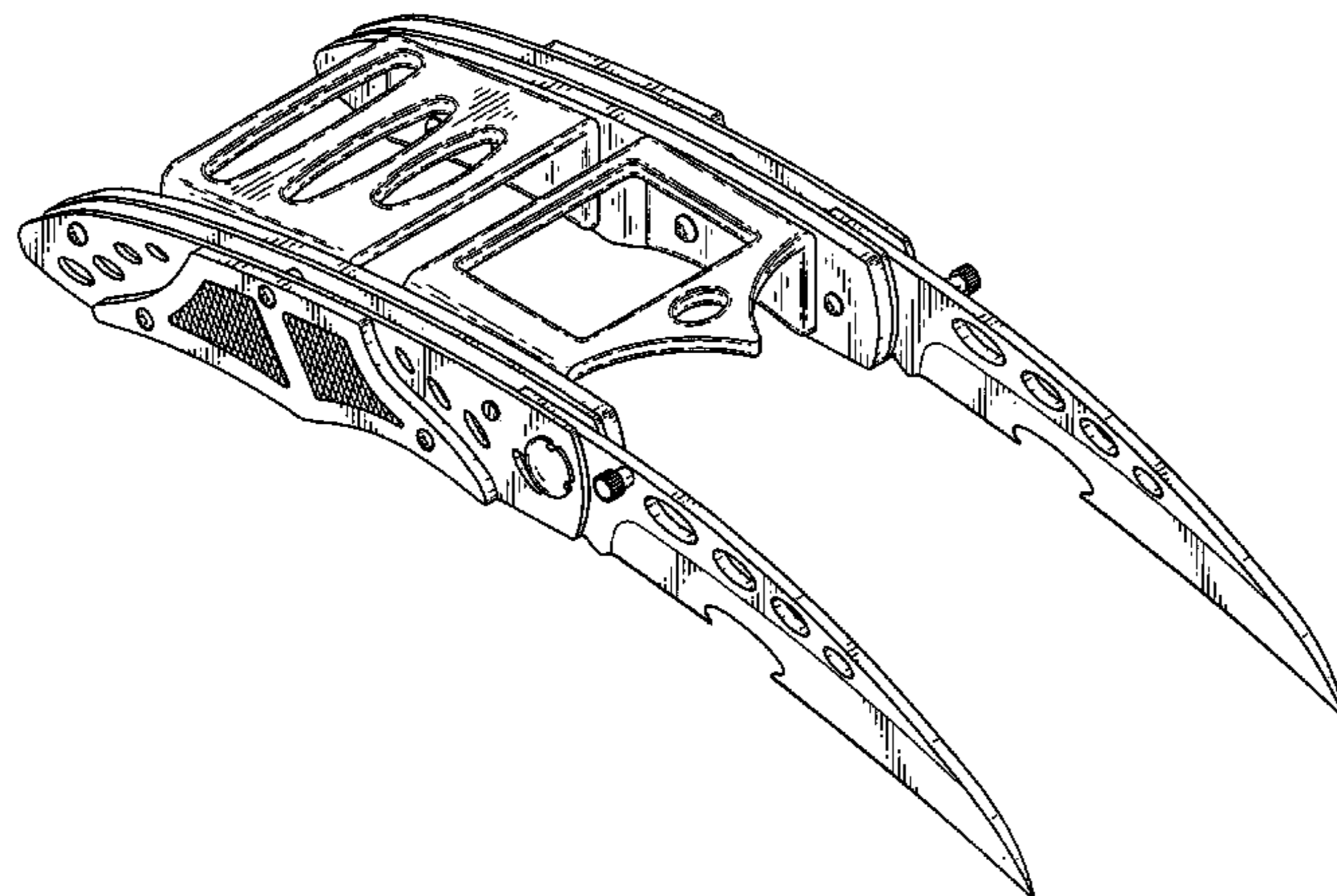
FIG. 9 is a rear view of the two parallel folding knives attached by bridging devices, with the two knives each in a fully closed state;

FIG. 10 is a left side view of the two parallel folding knives attached by bridging devices, with the two knives each in a fully closed state;

FIG. 11 is a top view of the two parallel folding knives attached by bridging devices, with the two knives each in a fully closed state; and,

FIG. 12 is a bottom view of the two parallel folding knives attached by bridging devices, with the two knives each in a fully closed state.

1 Claim, 8 Drawing Sheets



US D551,533 S

Page 2

U.S. PATENT DOCUMENTS

4,969,267 A *	11/1990	Anenberg	30/304	D494,440 S *	8/2004	Carter, III	D8/107
D433,914 S *	11/2000	Chu	D8/99	D495,940 S *	9/2004	Keppel et al.	D8/99
D464,246 S *	10/2002	Sloan	D8/99	D500,546 S *	1/2005	Anderson	D22/117

* cited by examiner

FIG. 1

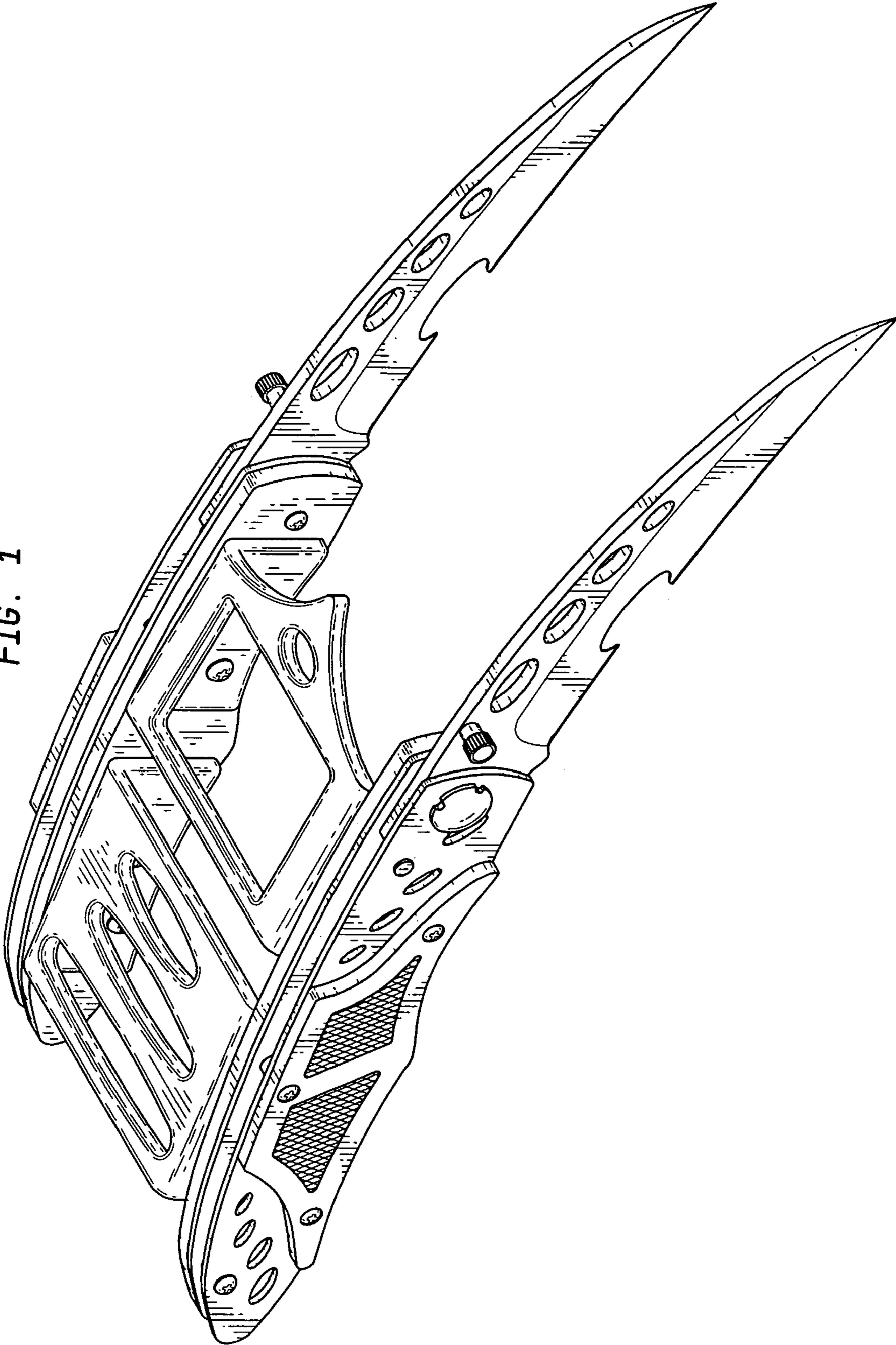


FIG. 2

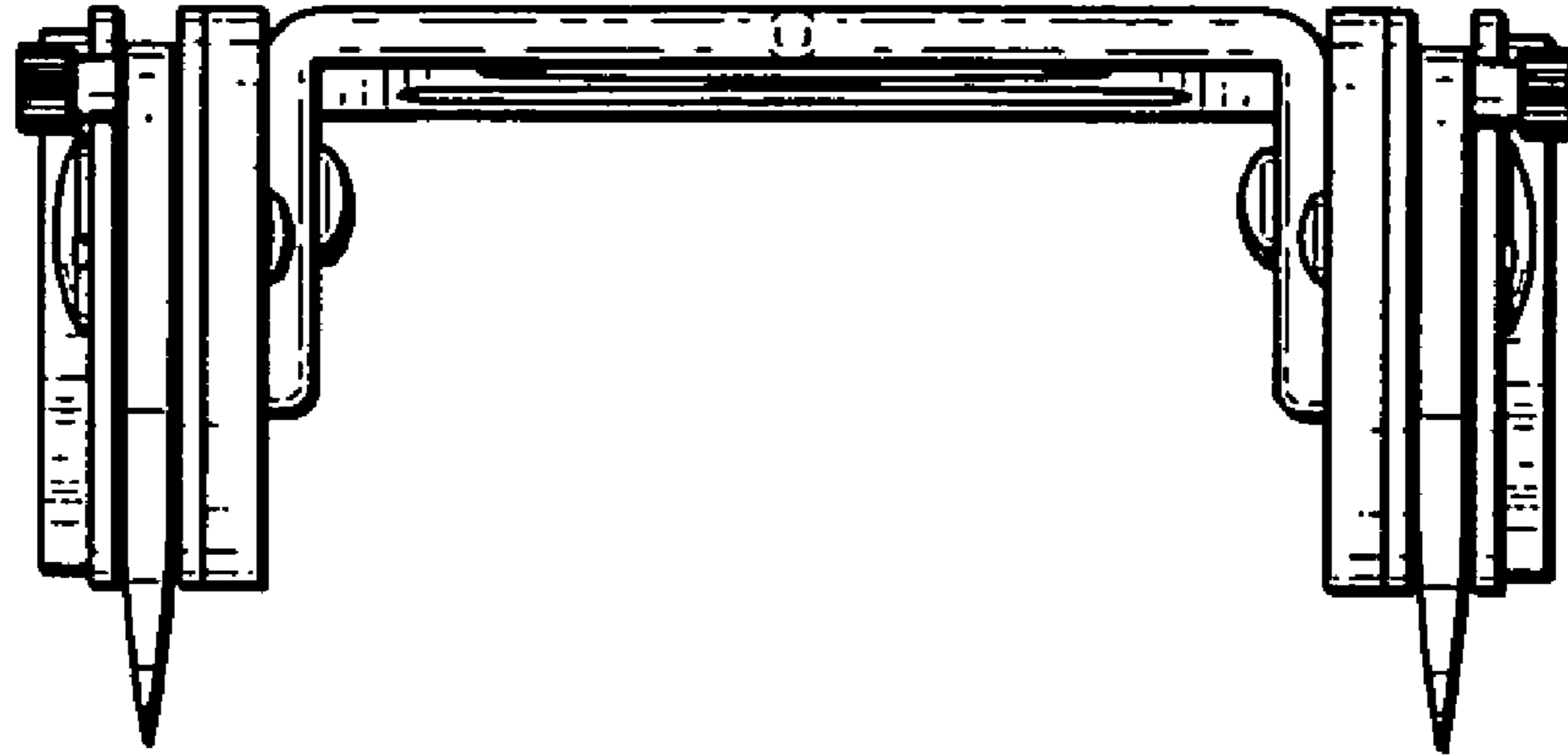


FIG. 3

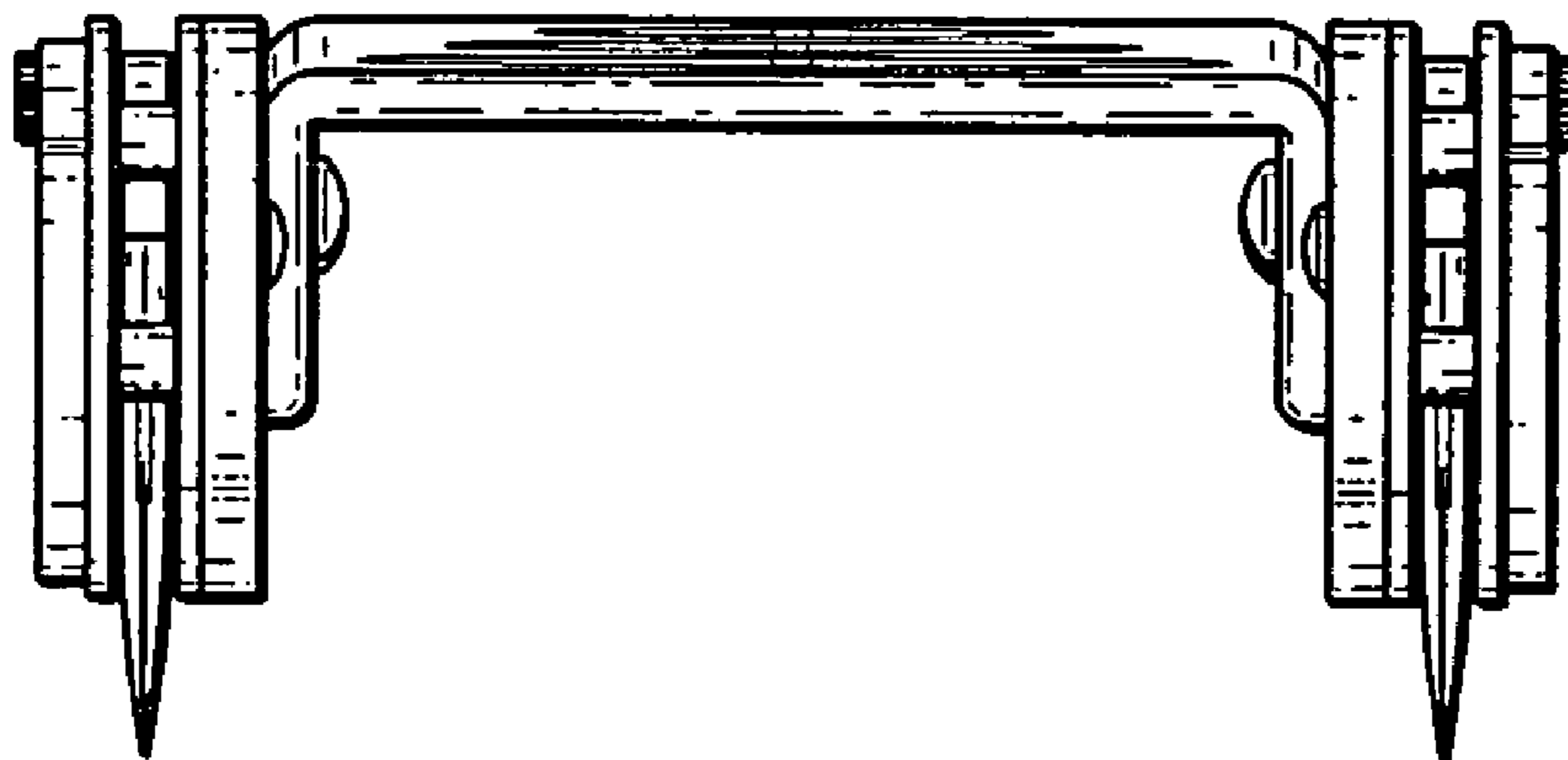


FIG. 4

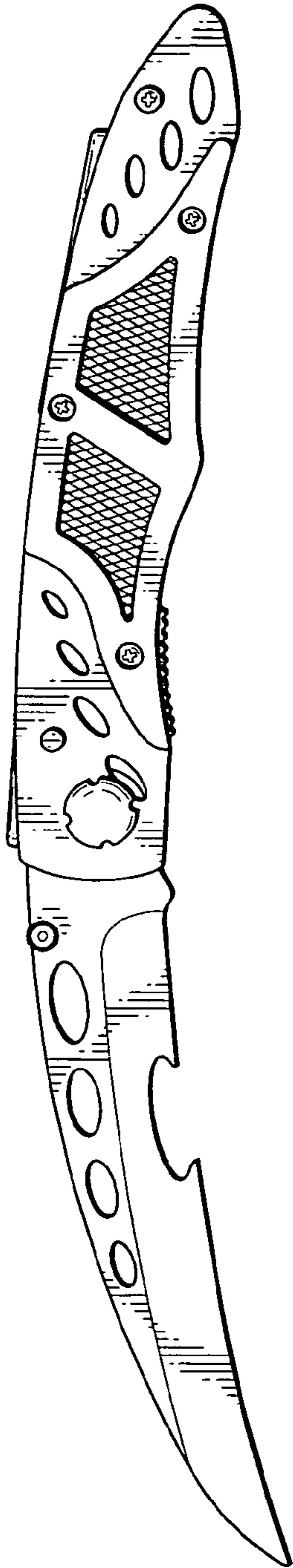


FIG. 5

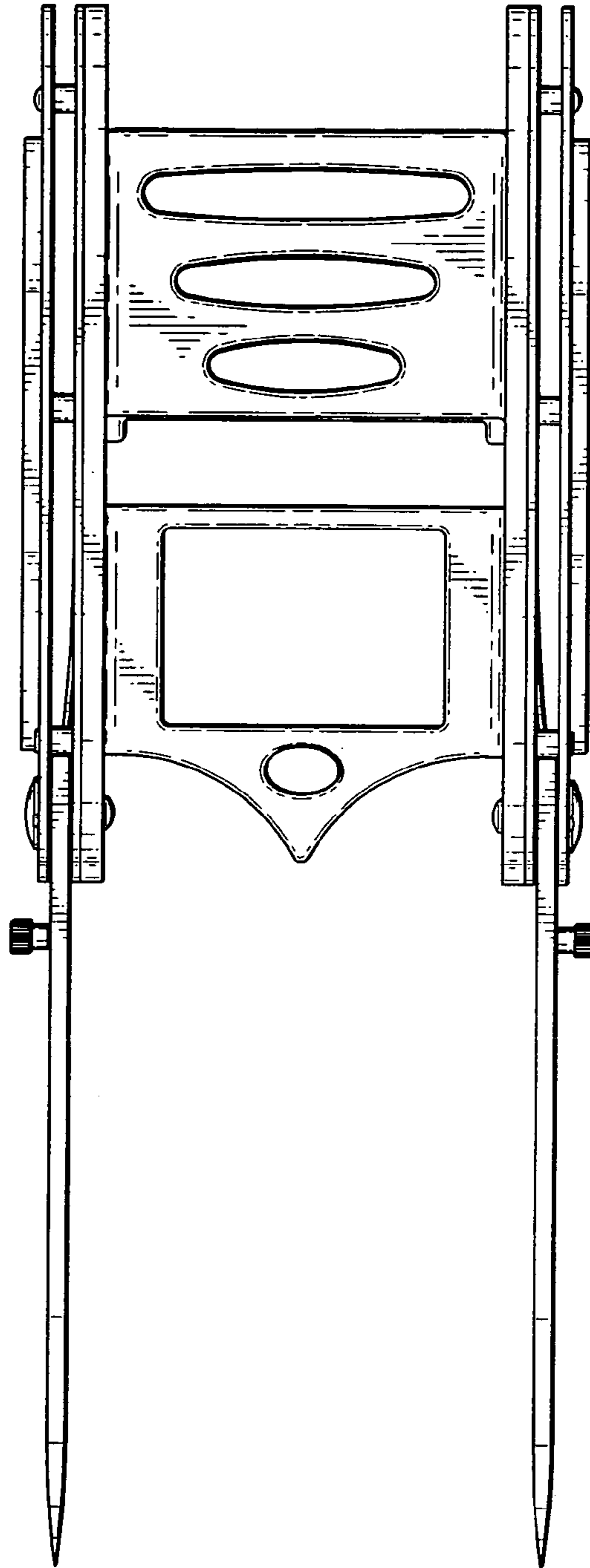


FIG. 6

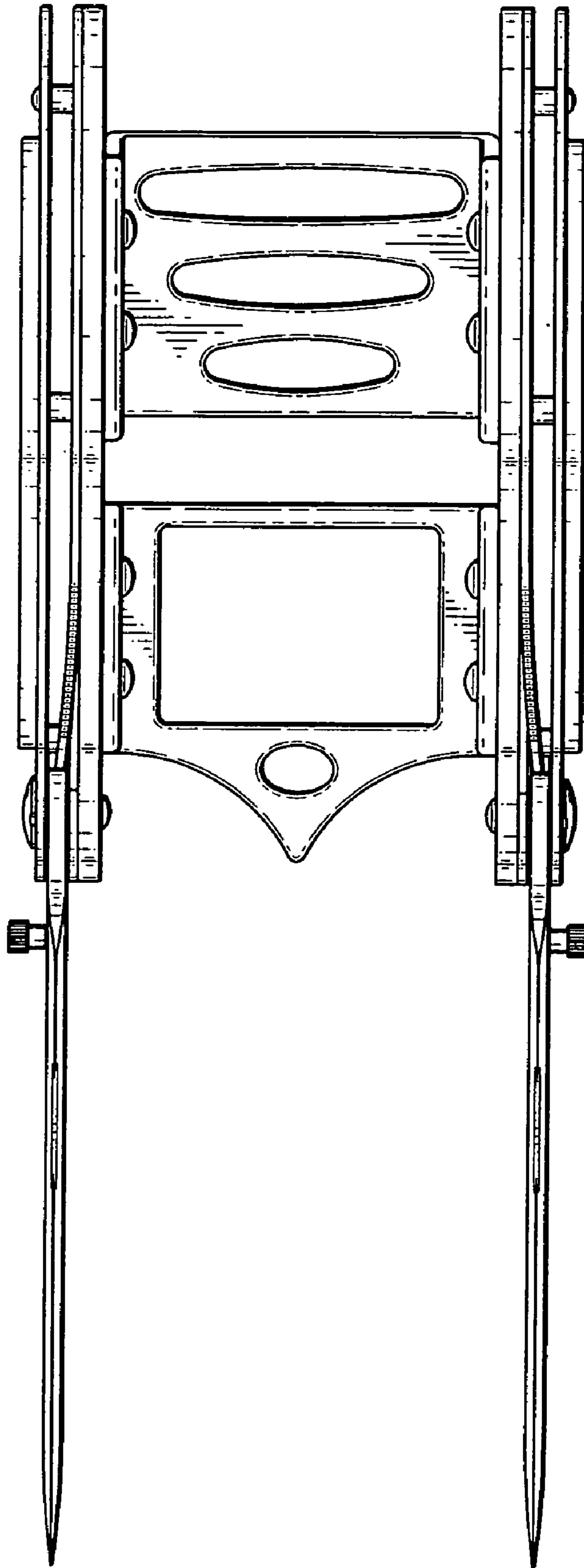


FIG. 7

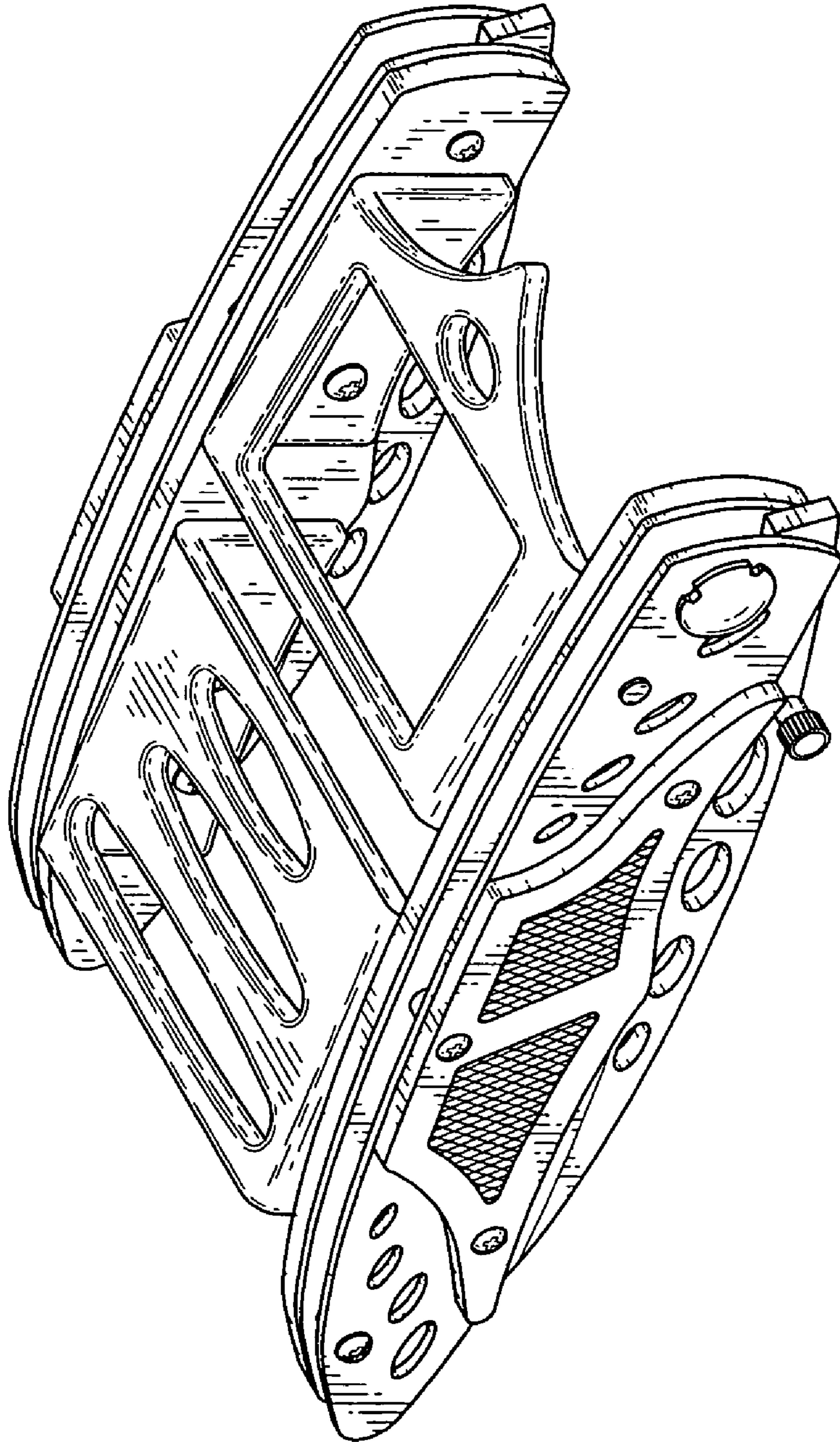


FIG. 8

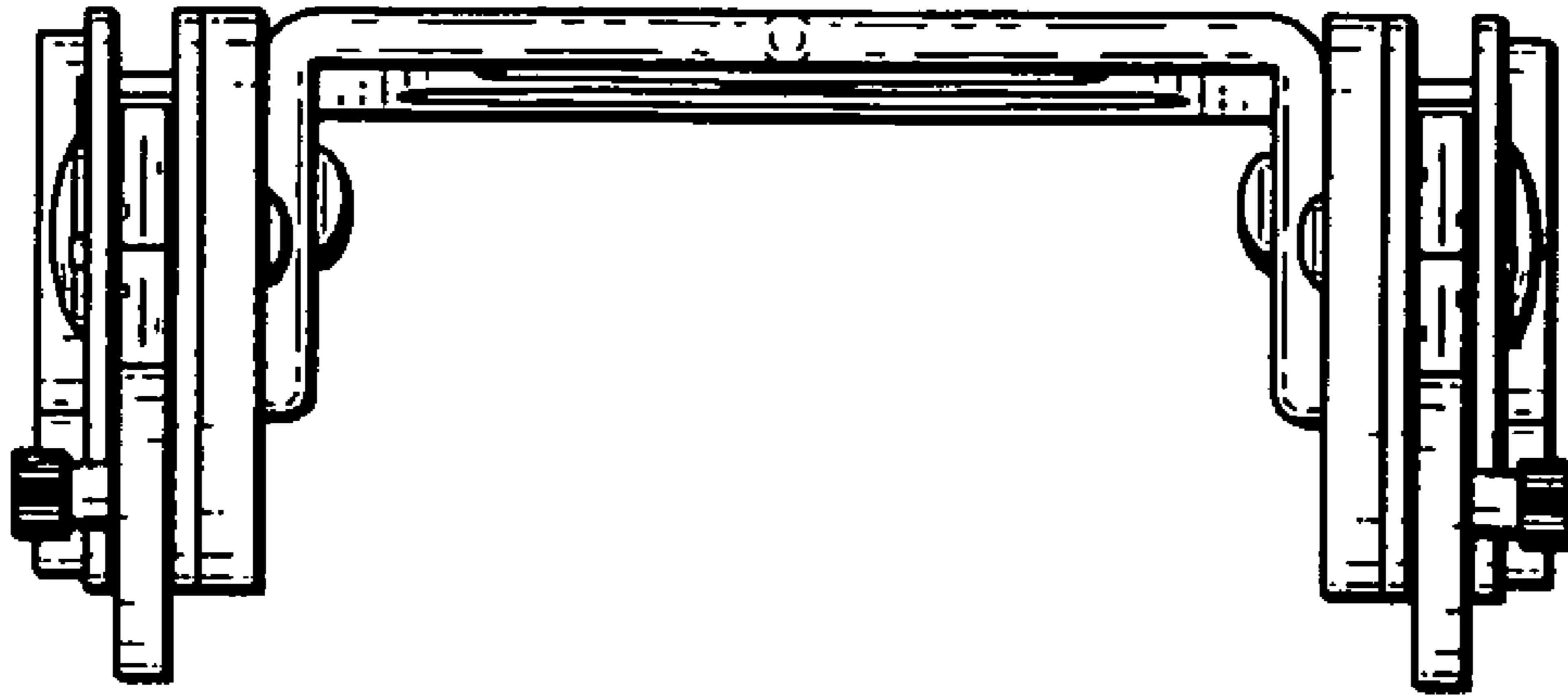


FIG. 9

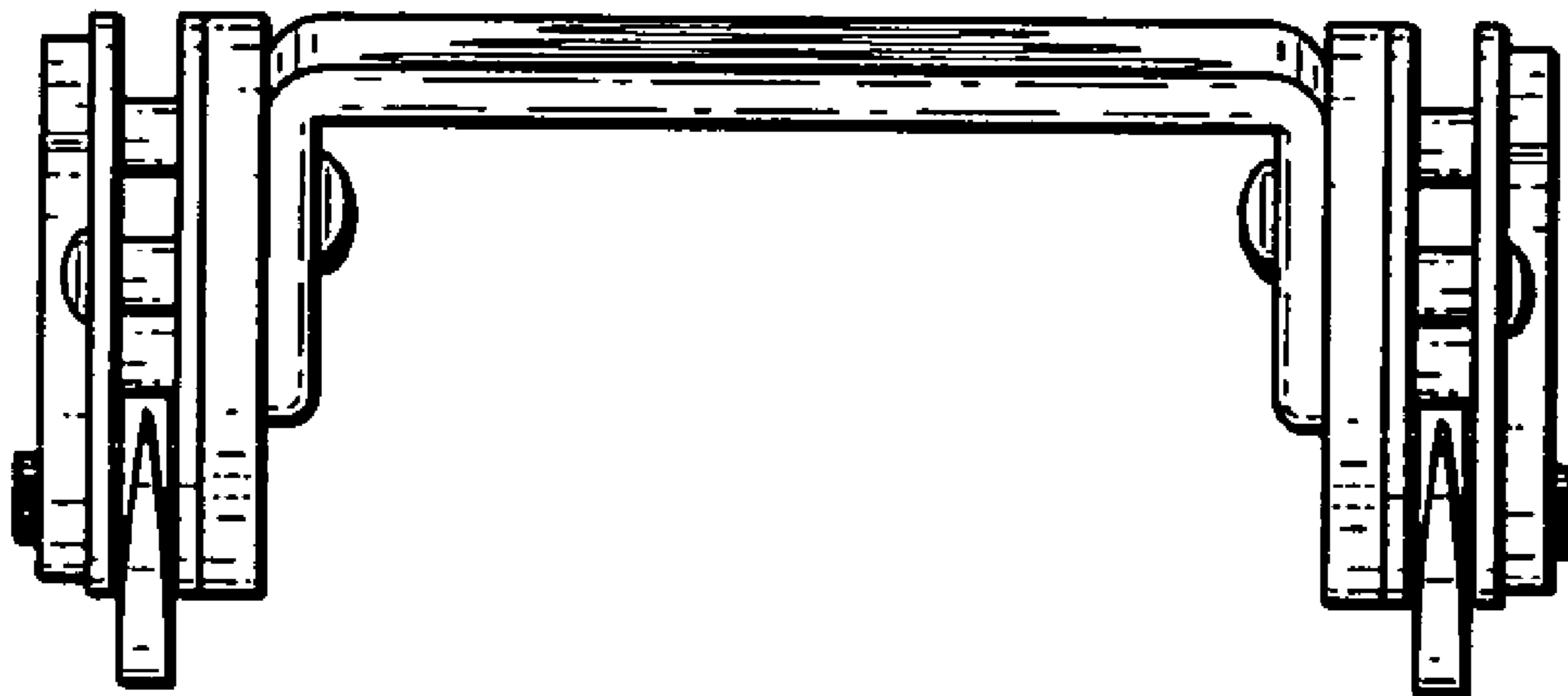


FIG. 10

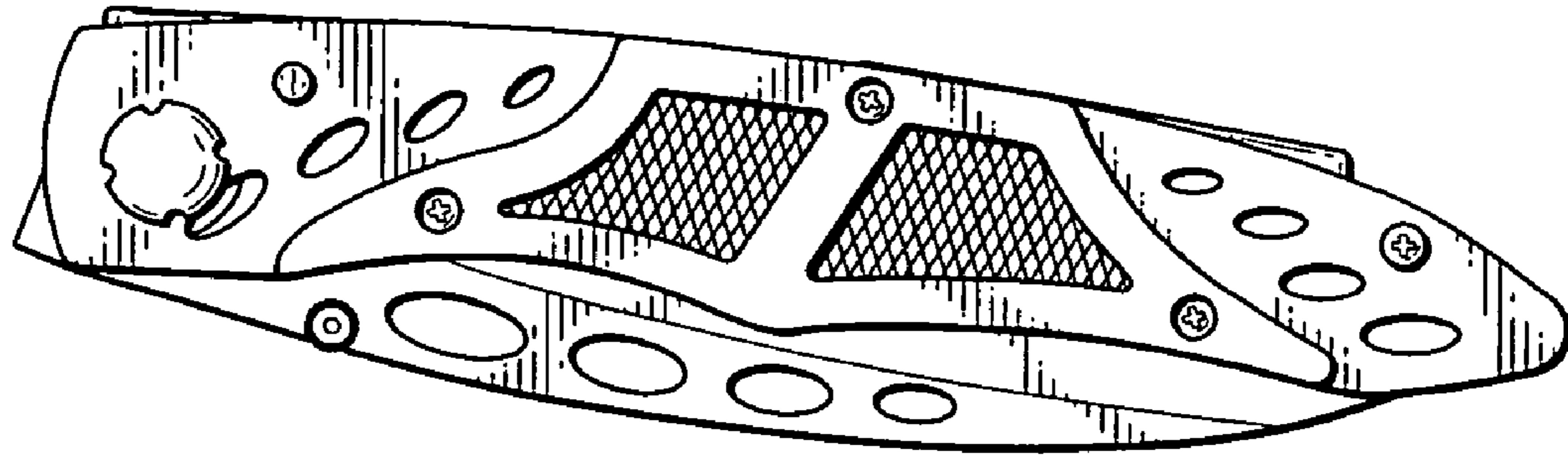


FIG. 11

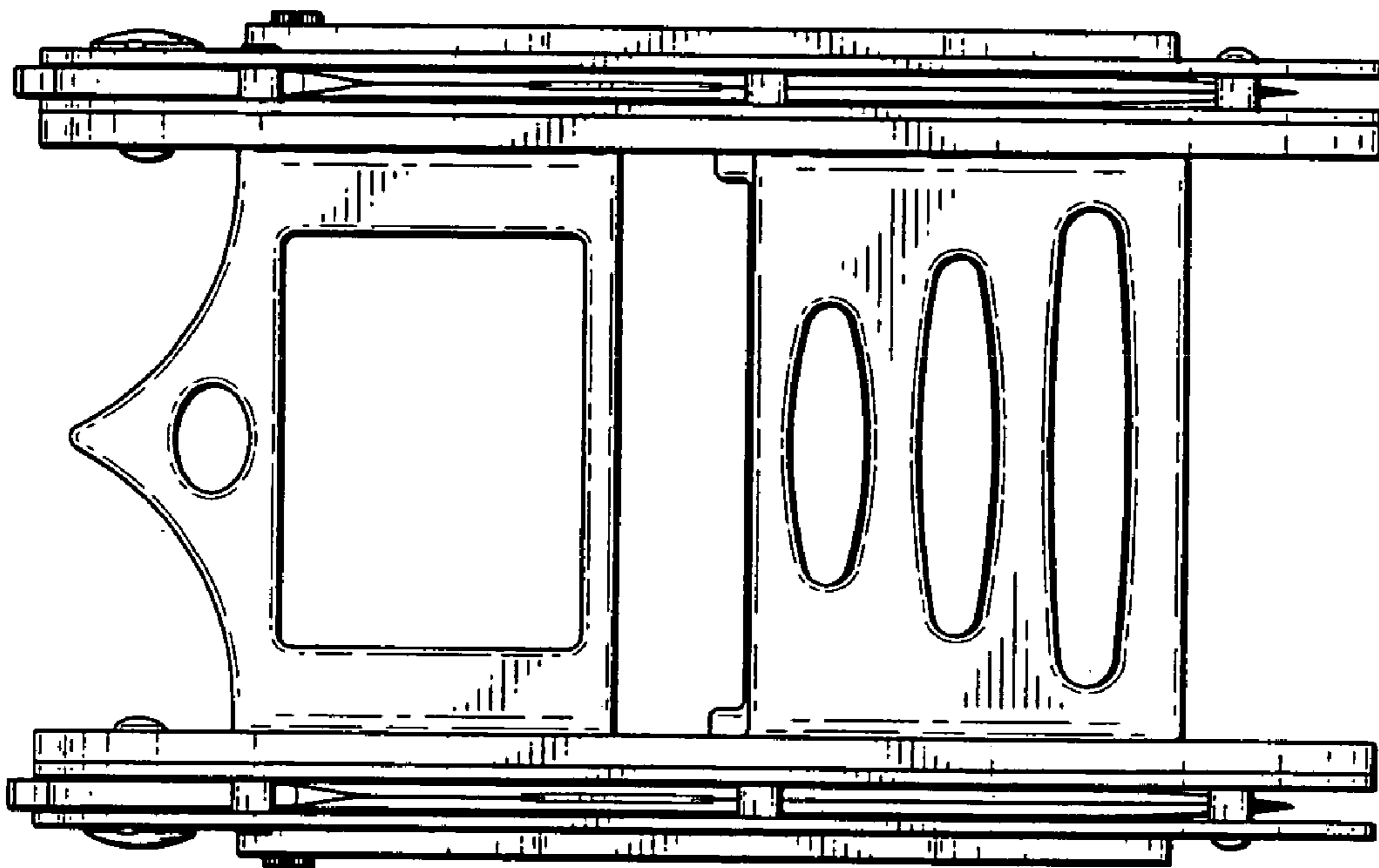


FIG. 12

