



US00D551529S

(12) **United States Design Patent** (10) **Patent No.:** **US D551,529 S**
Youngren et al. (45) **Date of Patent:** **** Sep. 25, 2007**

(54) **HAMMER**

4,363,344 A 12/1982 Pollak
4,639,029 A 1/1987 Kolonia

(75) Inventors: **Robert H. Youngren**, Rockford, IL
(US); **Bruce V. Johnson**, Sterling, IL
(US)

(Continued)

FOREIGN PATENT DOCUMENTS

(73) Assignee: **Estwing Manufacturing Company**,
Rockford, IL (US)

GB 2 384 741 A1 8/2003

(Continued)

(**) Term: **14 Years**

OTHER PUBLICATIONS

(21) Appl. No.: **29/255,433**

Chaffin et al., Eds., "Hand-Tool Design Guidelines," in: *Occupational Biomechanics*, Ch. 11, pp. 435-461, 3rd Edition, John Wiley & Sons, Inc. (New York, 1999).

(22) Filed: **Mar. 8, 2006**

(Continued)

Related U.S. Application Data

(63) Continuation-in-part of application No. 11/211,380, filed on Aug. 25, 2005, which is a continuation of application No. 10/658,693, filed on Sep. 9, 2003, now Pat. No. 6,976,406, which is a continuation of application No. 10/214,237, filed on Aug. 7, 2002, now Pat. No. 6,647,829.

Primary Examiner—Philip S. Hyder

(74) *Attorney, Agent, or Firm*—Drinker Biddle & Reath LLP

(57)

CLAIM

The ornamental design for a hammer, as shown and described.

(51) **LOC (8) Cl.** **08-02**

(52) **U.S. Cl.** **D8/75**

(58) **Field of Classification Search** D8/75,
D8/76, 77, 78, 79, 80, 81, 107; 81/19, 20,
81/21, 22; 7/143, 145

See application file for complete search history.

DESCRIPTION

FIG. 1 is a rear right side perspective view of a hammer showing my new design;

FIG. 2 is a front right side perspective view of the hammer;

FIG. 3 is a front left side perspective view of the hammer;

FIG. 4 is a rear left side perspective view of the hammer;

FIG. 5 is a front elevation view of the hammer;

FIG. 6 is a rear elevation view of the hammer;

FIG. 7 is a right side elevation view of the hammer;

FIG. 8 is a left side elevation view of the hammer

FIG. 9 is a top plan view of the hammer; and,

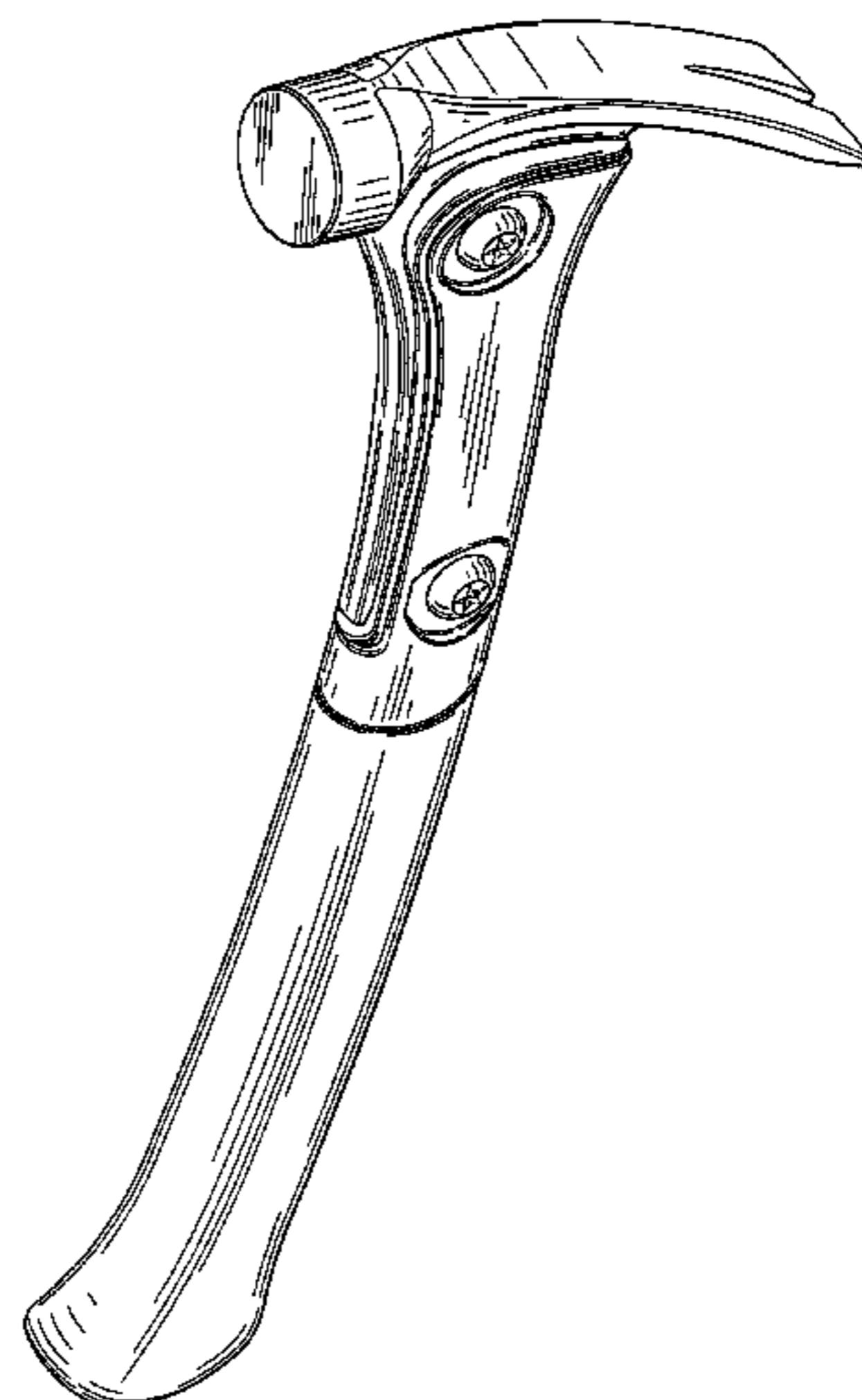
FIG. 10 is a bottom plan view of the hammer. The broken line portions of the disclosure are for illustrative purposes only and form no part of the claimed design.

(56) **References Cited**

U.S. PATENT DOCUMENTS

1,934,706 A 11/1933 Green
D140,407 S 2/1945 Henkel
D209,653 S 12/1967 Vogel
3,792,725 A 2/1974 Burgeson
3,870,091 A 3/1975 Burgeson
3,874,433 A 4/1975 Shepherd, Jr. et al.
D237,582 S 11/1975 Mostyn et al.
4,030,847 A 6/1977 Carmien
4,038,719 A 8/1977 Bennett
4,154,273 A 5/1979 Pollak
D262,186 S 12/1981 Royce

1 Claim, 8 Drawing Sheets



US D551,529 S

Page 2

U.S. PATENT DOCUMENTS

D288,406 S 2/1987 Santos
D291,402 S 8/1987 Square
D300,111 S 3/1989 Square
5,123,303 A 6/1992 Lee et al.
5,259,274 A 11/1993 Hreha
5,425,176 A 6/1995 Brainerd et al.
5,588,343 A 12/1996 Rust et al.
5,657,674 A 8/1997 Burnett
5,768,956 A 6/1998 Coonrad
5,860,334 A 1/1999 Coonrad
D408,702 S 4/1999 Hammond et al.
5,906,144 A 5/1999 Staviski et al.
D416,462 S 11/1999 Pringle et al.
5,988,019 A 11/1999 Coonrad
5,996,235 A 12/1999 Brainerd
6,016,722 A 1/2000 Gierer et al.
D420,881 S 2/2000 Davis et al.
D426,128 S 6/2000 Lamond et al.
6,128,977 A 10/2000 Gierer et al.
6,131,488 A 10/2000 Coonrad
D436,821 S 1/2001 Douglas et al.
6,202,511 B1 3/2001 Murray et al.
D442,048 S 5/2001 Coonrad
6,250,181 B1 6/2001 Coonrad
D449,770 S 10/2001 Chen
6,370,986 B1 4/2002 Scott

6,405,616 B1 6/2002 Chen
D459,968 S 7/2002 Harkins et al.
6,435,059 B1 8/2002 Martinez
6,460,430 B2 10/2002 Coonrad
6,474,198 B2 11/2002 Lowther
D478,264 S 8/2003 Chen
6,976,406 B2 * 12/2005 Youngren et al. 81/20
D519,348 S * 4/2006 Chen D8/75
2001/0029813 A1 10/2001 Schroeder
2004/0045411 A1 * 3/2004 Youngren et al. 81/20

FOREIGN PATENT DOCUMENTS

NL 9301607 A 4/1995

OTHER PUBLICATIONS

Harkins et al., U.S. Appl. No. 29/159,356, filed Apr. 18, 2002.
Harkins et al., U.S. Appl. No. 29/159,383, filed Apr. 19, 2002.
Knowlton et al., "Ulnar Deviation and Short-Term Strength Reductions as Affected by a Curve-Handled Ripping Hammer and a Conventional Claw Hammer," *Ergonomics*, 26 (2), 173-179 (1983).
Konz, "Bent Hammer Handles," *Human Factors*, 28 (3), 317-323 (1986).
"RIDGID Robohammer®," in *Woodworking Tools for a Lifetime*, Web page: http://www.ridgidwoodworking.com/products_roboshammer.phtml (1998-2002).

* cited by examiner

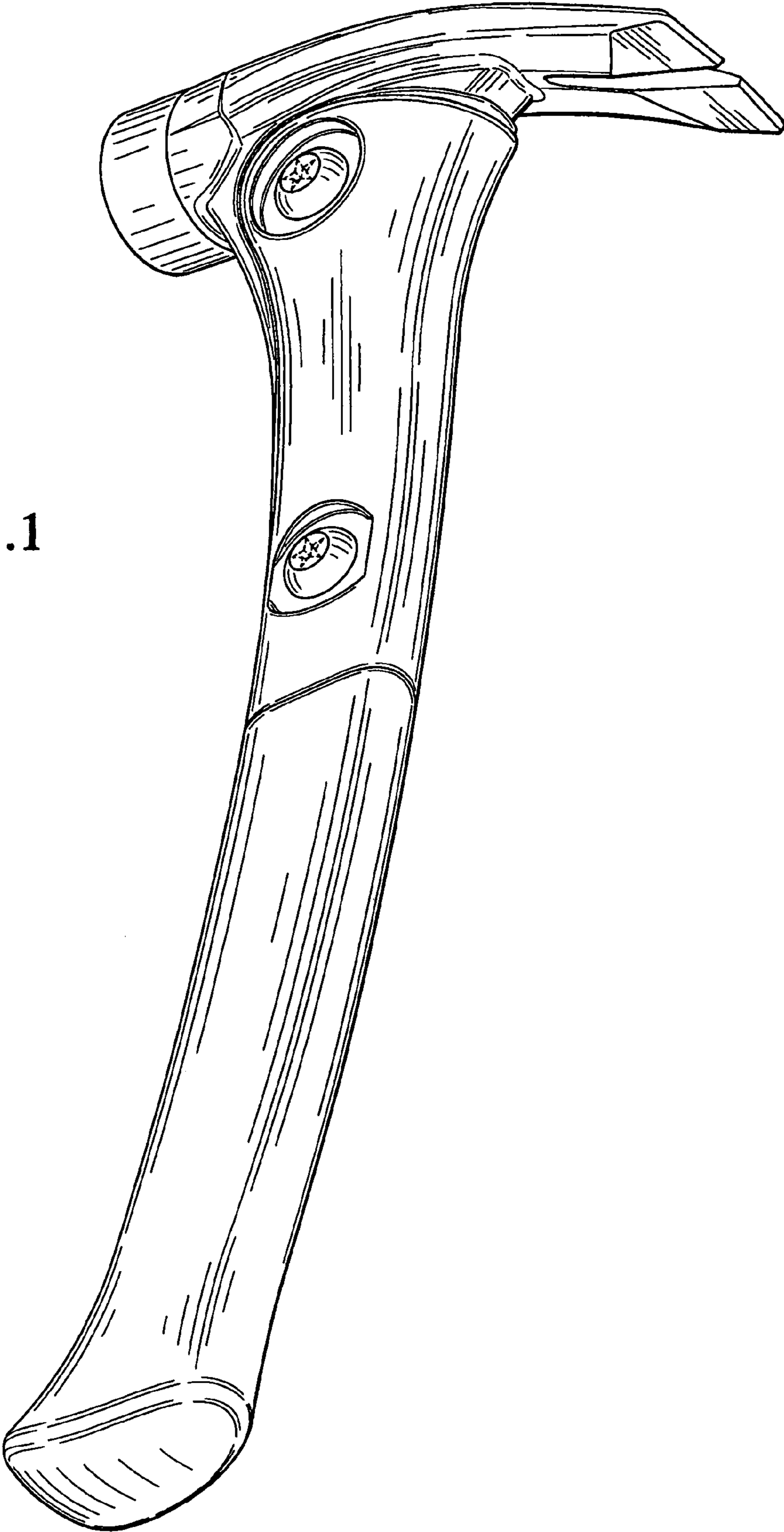


FIG.1

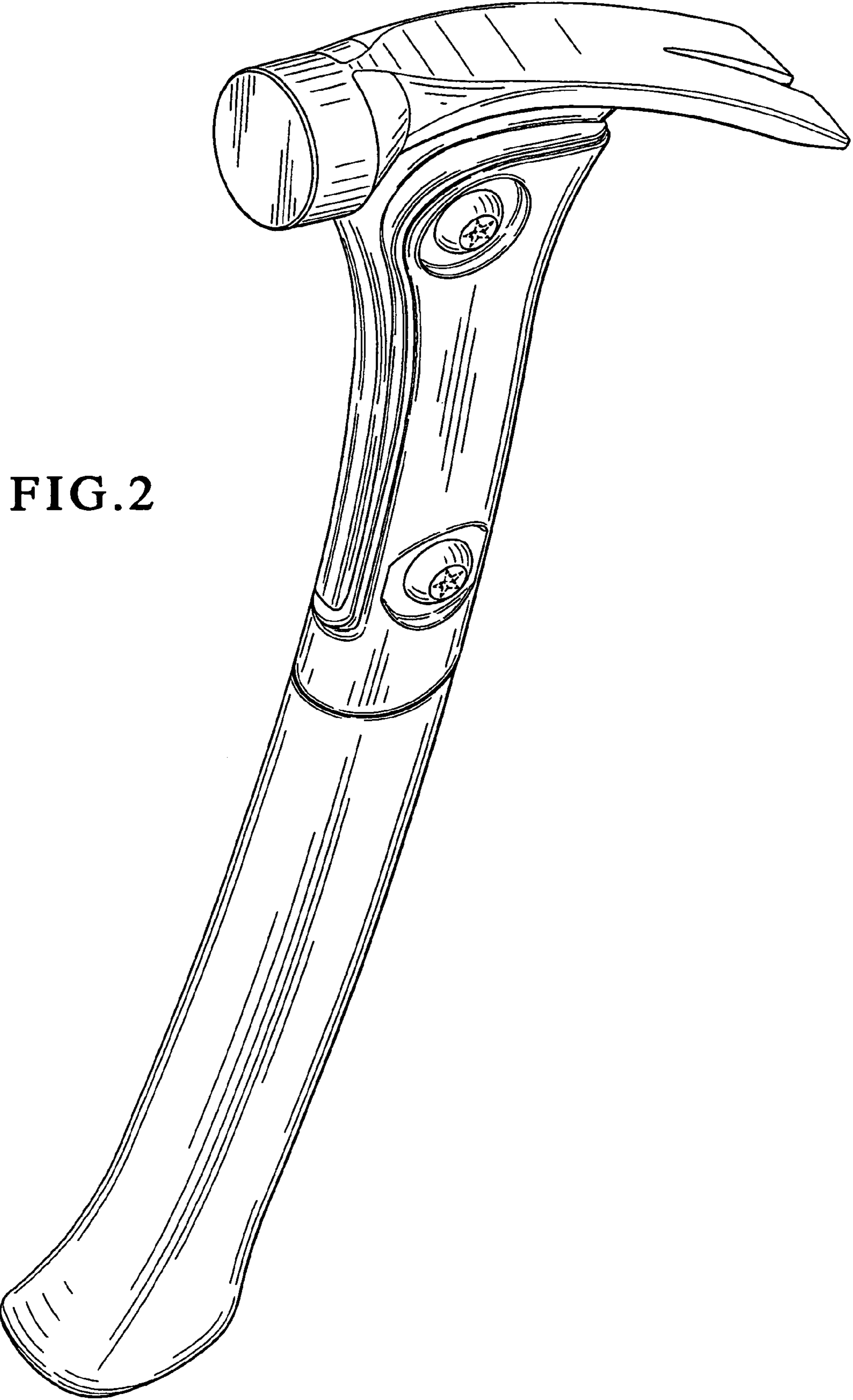


FIG. 2

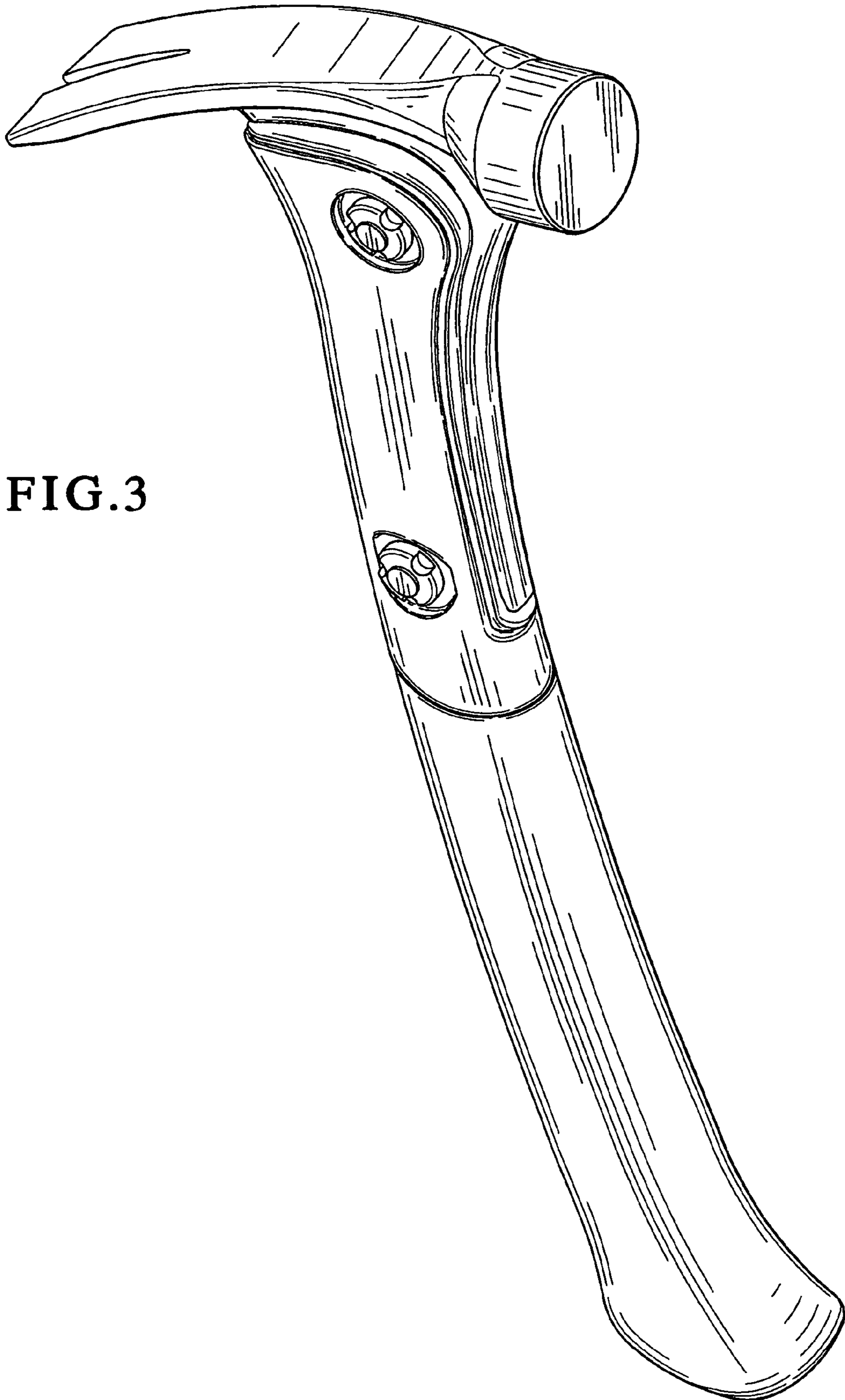


FIG. 3

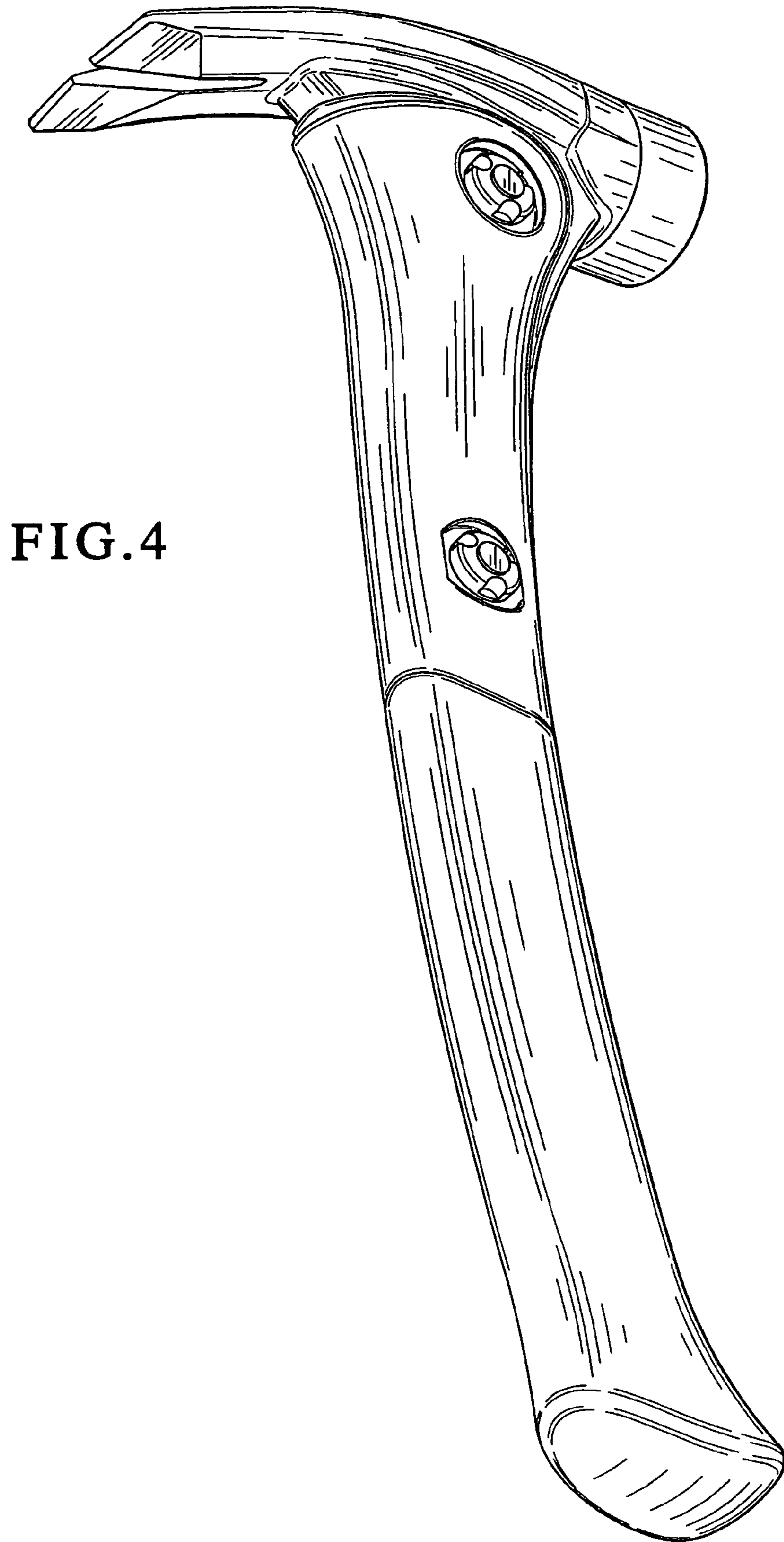


FIG. 4

FIG.5

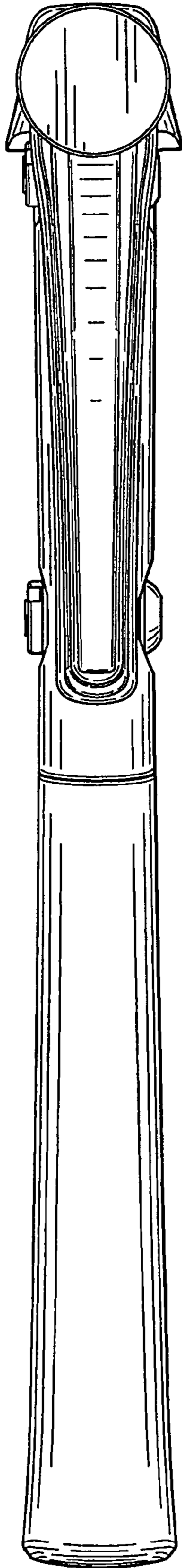
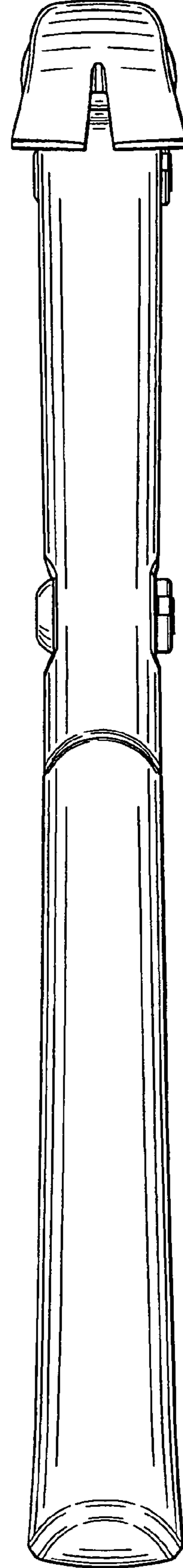


FIG.6



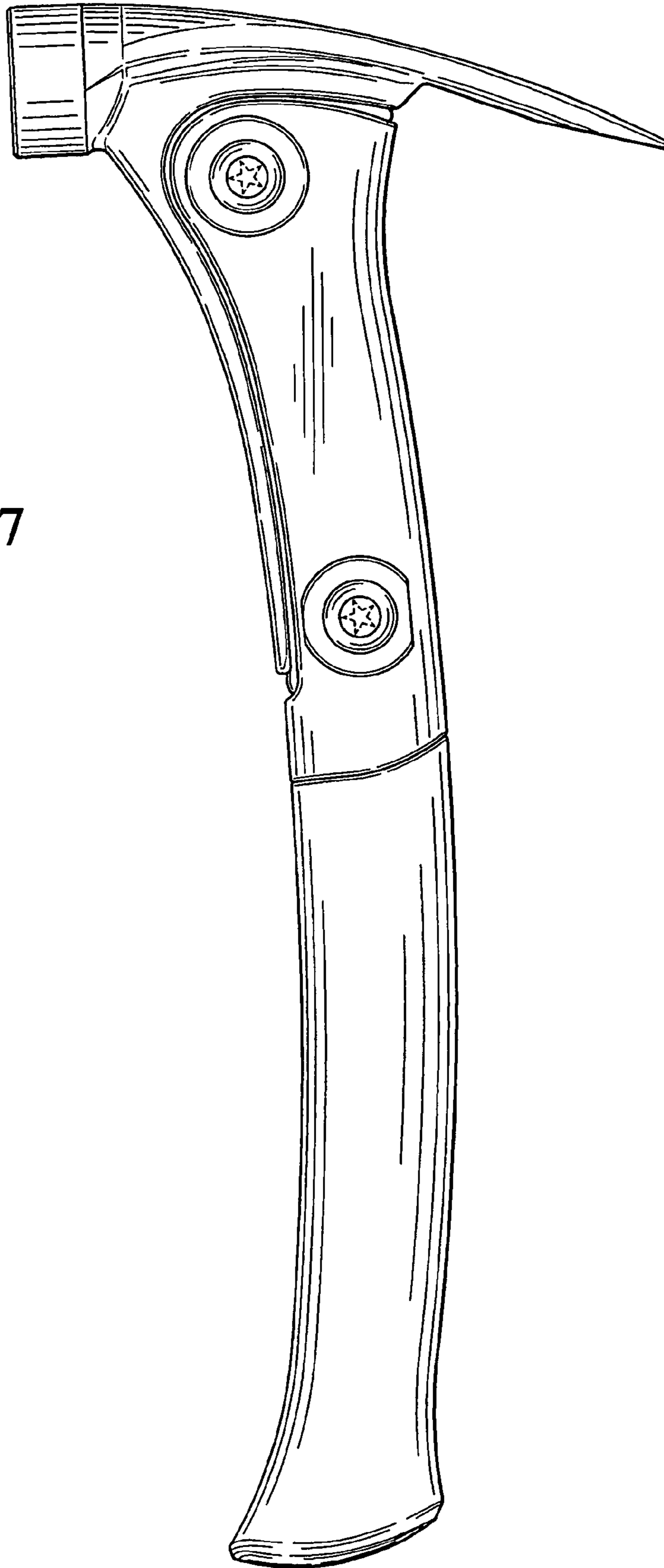


FIG. 7

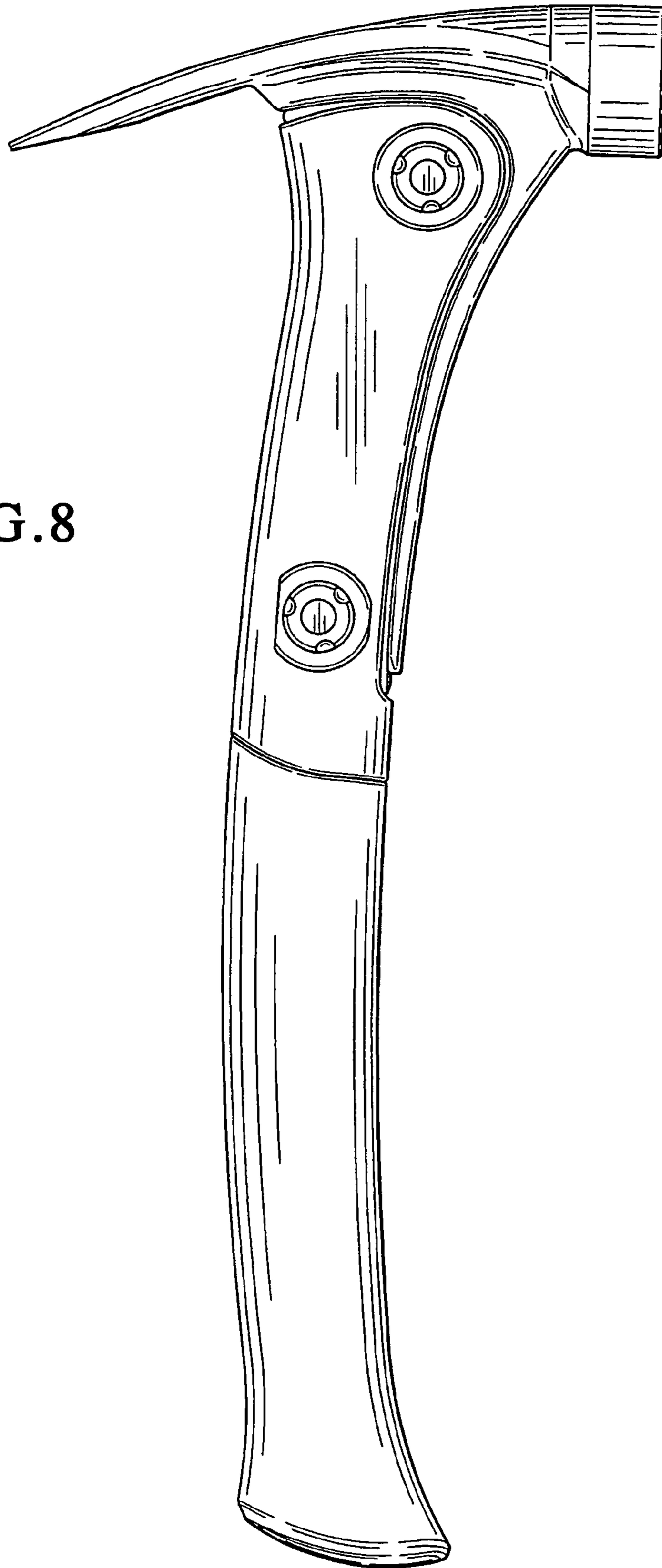


FIG. 8

FIG.9

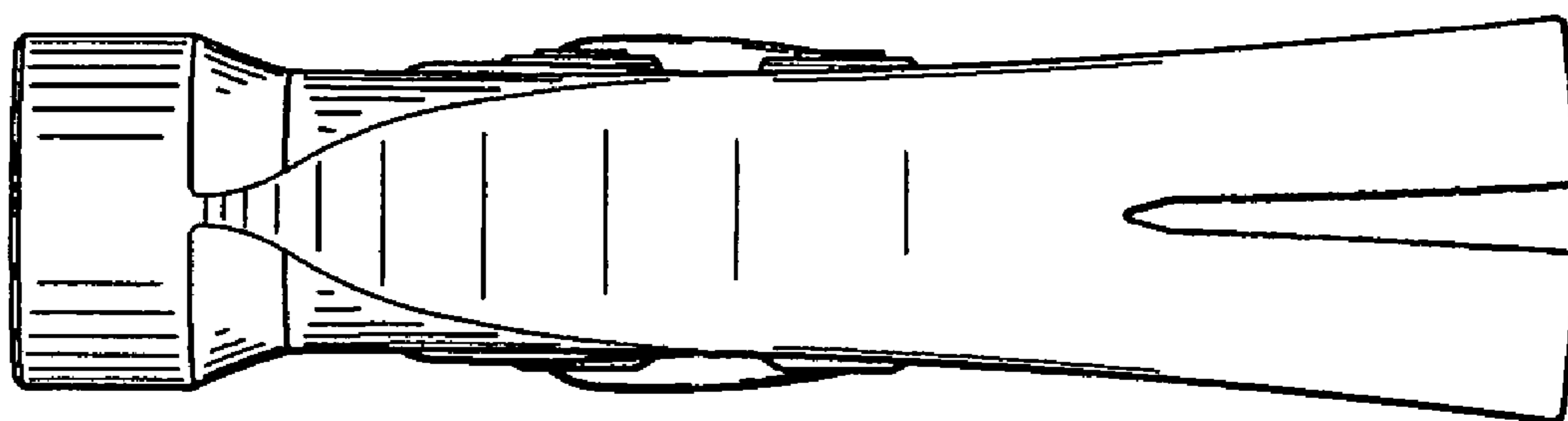


FIG.10

