



US00D551528S

(12) **United States Design Patent**
Vautour

(10) **Patent No.:** **US D551,528 S**

(45) **Date of Patent:** **** Sep. 25, 2007**

(54) **CLAMP**

(76) **Inventor:** **Michel Vautour**, 115 Biddington Ave.,
Lakeville West Co., New Brunswick
(CA) EIH 1C4

(**) **Term:** **14 Years**

(21) **Appl. No.:** **29/264,613**

(22) **Filed:** **Aug. 15, 2006**

(51) **LOC (8) Cl.** **08-05**

(52) **U.S. Cl.** **D8/72**

(58) **Field of Classification Search** D8/71-74,
D8/394, 396, 59; 269/3, 6, 143, 147-149,
269/95, 240, 246, 247, 249, 71; 81/327,
81/355, 356, 353, 487; 29/257, 276; D15/140;
D13/149; 439/810, 411, 412, 100; 403/373;
248/229.25, 229.15, 228.6, 72, 230.6, 231.71,
248/58; 24/525; 294/103.1, 901, 902
See application file for complete search history.

(56) **References Cited**

U.S. PATENT DOCUMENTS

1,303,346	A *	5/1919	McFeaters	248/72
1,713,284	A *	5/1929	Jones	248/72
2,360,601	A	10/1944	Waldrup		
2,636,770	A *	4/1953	Cornwell	294/103.1
2,693,386	A *	11/1954	Renfroe	269/249
3,264,030	A *	8/1966	Albert	294/103.1
3,292,964	A	12/1966	Albert		
D210,098	S *	2/1968	Marik	D8/394
D226,801	S *	5/1973	Rumble	D8/394
D226,856	S	5/1973	Leto		
D228,877	S *	10/1973	Hirt	D8/394
D231,599	S *	5/1974	Rumble	D8/394
3,857,600	A	12/1974	Hasegawa		
D235,731	S *	7/1975	Hubuda	D8/394
3,997,152	A *	12/1976	Sass et al.	269/249

4,019,705	A *	4/1977	Habuda, Sr. et al.	248/58
4,183,571	A *	1/1980	Renfroe	294/103.1
D262,237	S	12/1981	Stauber		
D267,625	S *	1/1983	Dark	D8/73
4,941,633	A *	7/1990	Walker et al.	248/228.6
D312,567	S *	12/1990	Gilman	D8/394
5,138,917	A *	8/1992	Kirschner	81/487
D378,343	S *	3/1997	Macor	D8/73
D393,998	S *	5/1998	Anderson	D8/73
D396,185	S *	7/1998	Fraser	D8/396
5,947,424	A *	9/1999	Heath	248/58
D443,493	S *	6/2001	Skeem	D8/72
D453,671	S	2/2002	Von Fange		
2003/0160137	A1 *	8/2003	Shuey	248/72

* cited by examiner

Primary Examiner—Louis Zarfaz
Assistant Examiner—David G. Muller
(74) *Attorney, Agent, or Firm*—Mario Theriault

(57) **CLAIM**

The ornamental design for a clamp, as shown and described.

DESCRIPTION

FIG. 1 is a perspective top, front and right side view of a clamp, showing my new design;

FIG. 2 is a right side view thereof, the left side view being a mirror image;

FIG. 3 is a top view thereof;

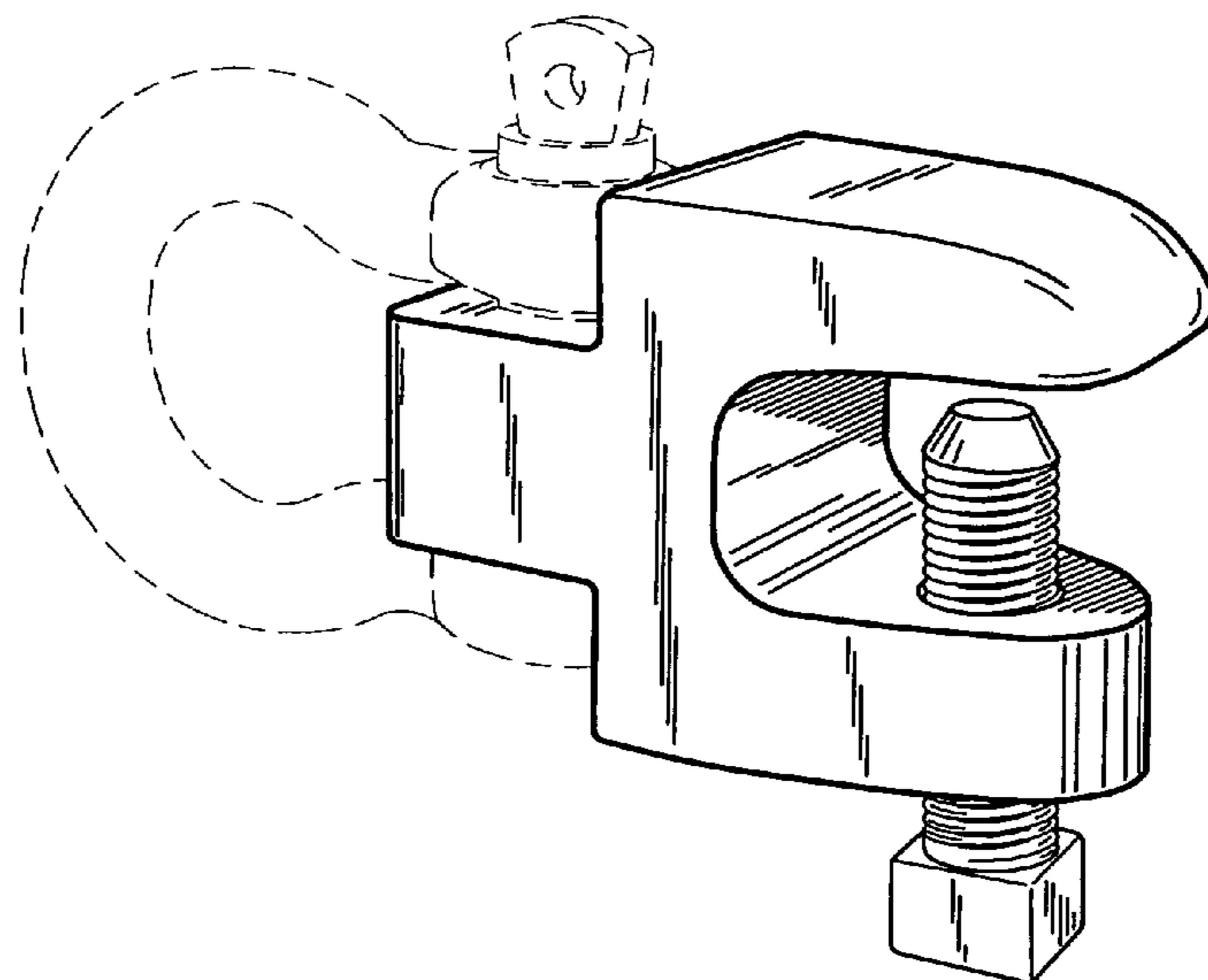
FIG. 4 is a bottom view thereof;

FIG. 5 is a front view thereof; and,

FIG. 6 is a rear view thereof.

The dotted line disclosure of a shackle in FIGS. 1-3 is for illustrative purposes only and forms no part of my design.

1 Claim, 2 Drawing Sheets



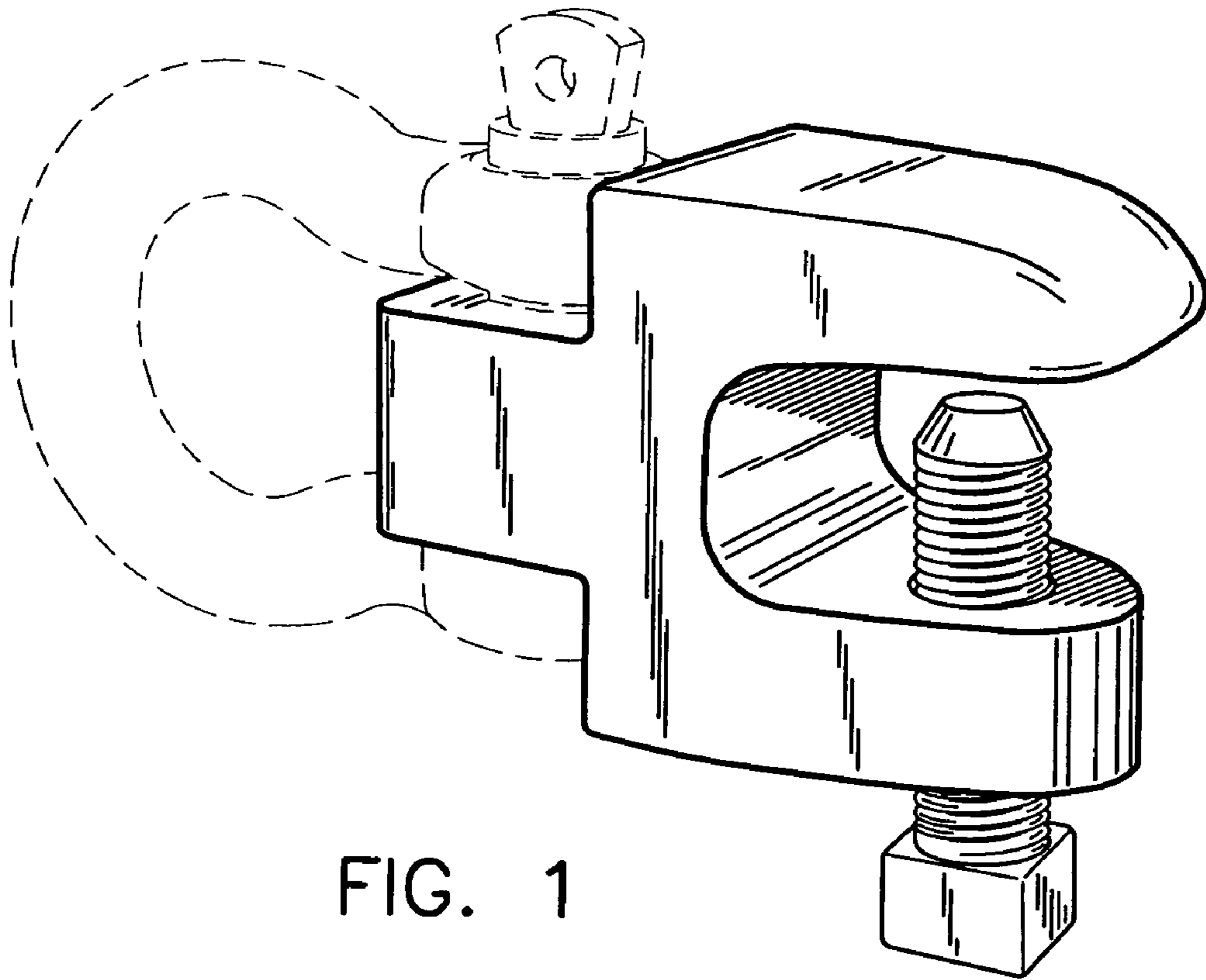


FIG. 1

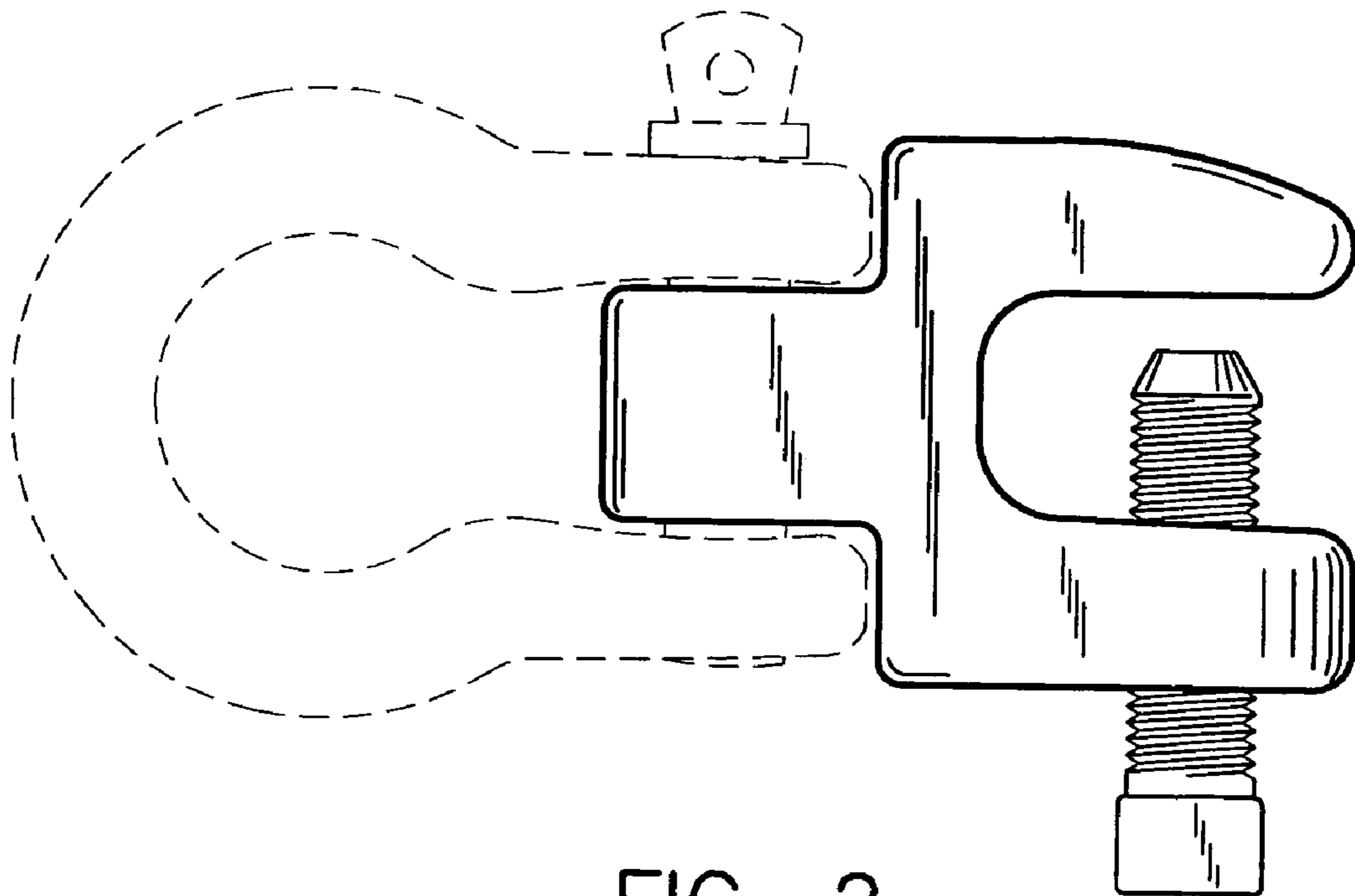


FIG. 2

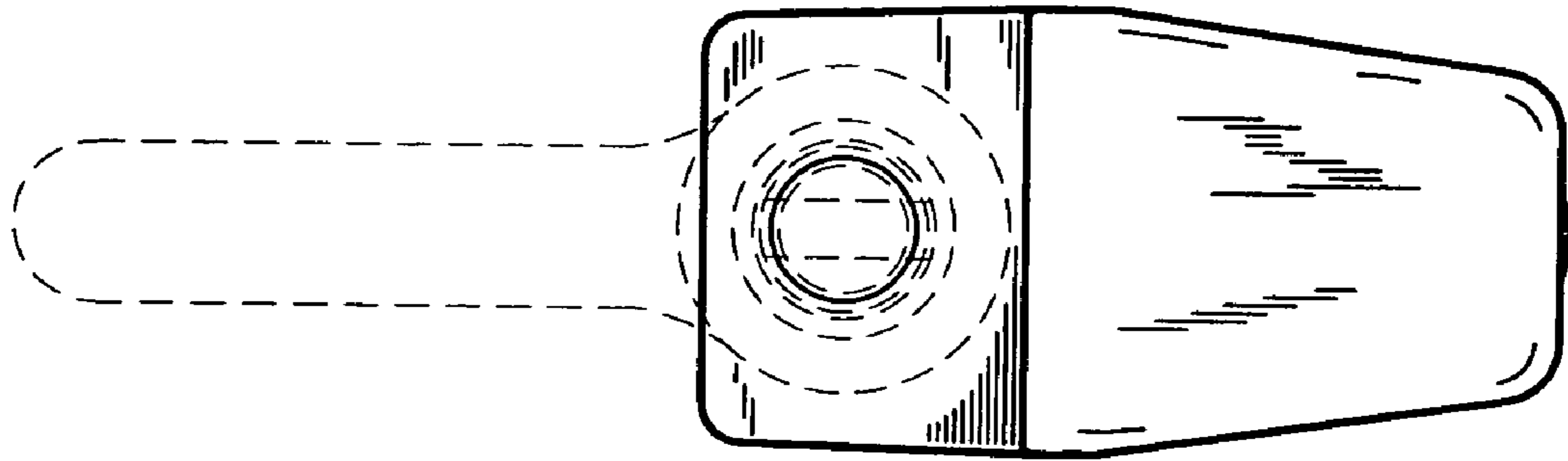


FIG. 3

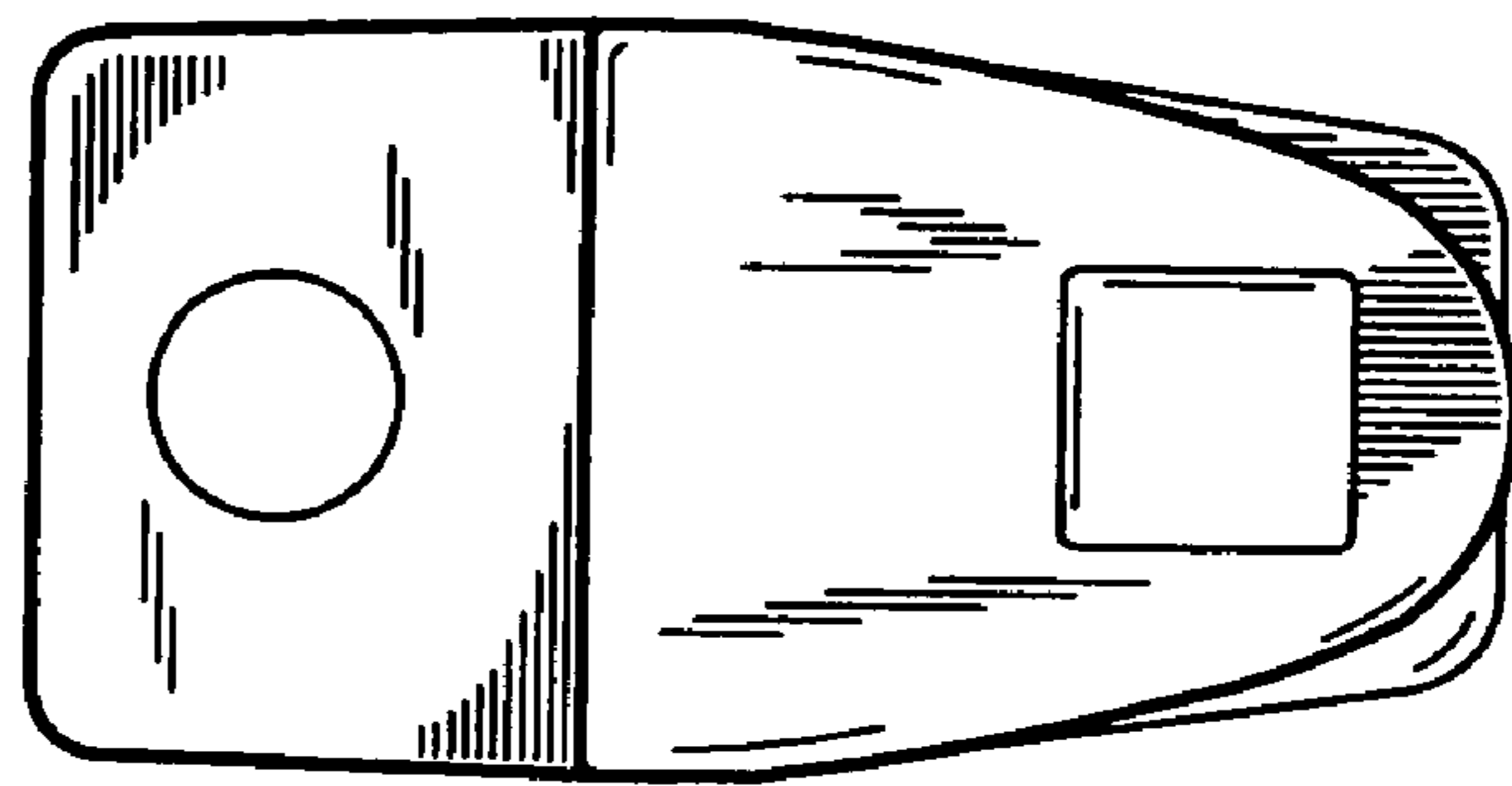


FIG. 4

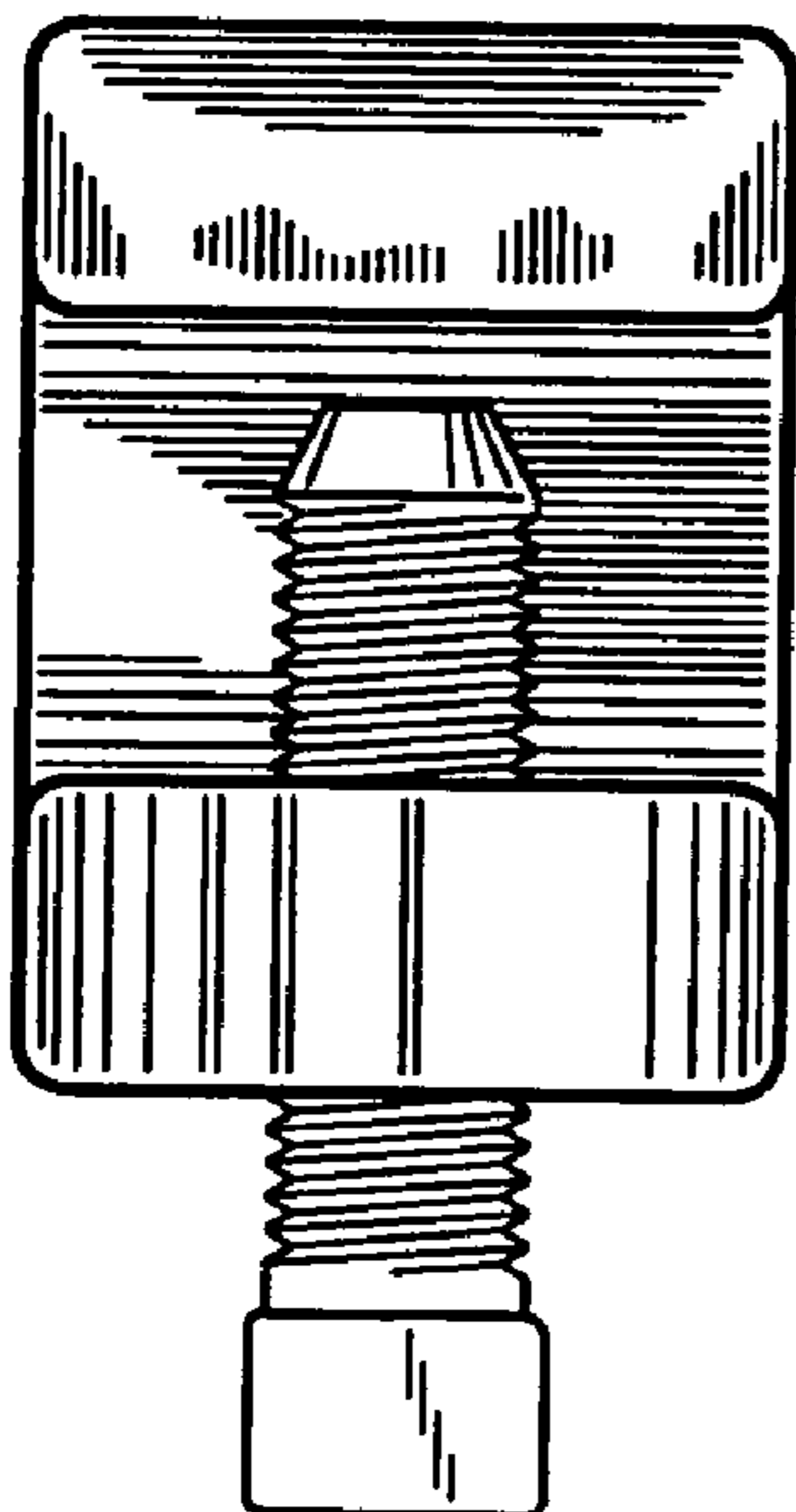


FIG. 5

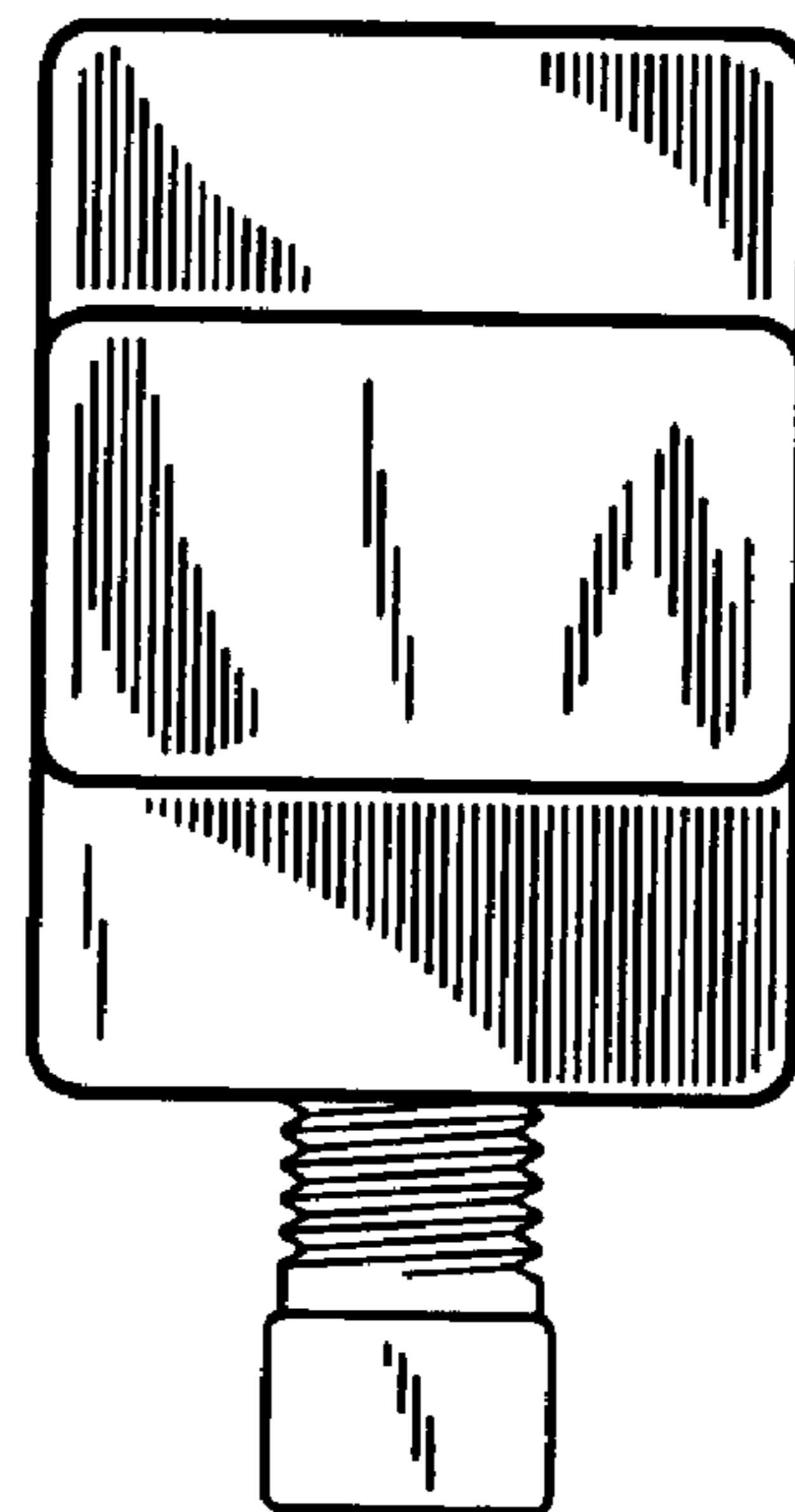


FIG. 6