



US00D551527S

(12) **United States Design Patent** (10) **Patent No.:** **US D551,527 S**  
**Aglassinger** (45) **Date of Patent:** **\*\* Sep. 25, 2007**

(54) **IMPACT DRILL**  
 (75) Inventor: **Hans-Peter Aglassinger**, Esslingen (DE)  
 (73) Assignee: **Robert Bosch GmbH**, Stuttgart (DE)  
 (\*\*) Term: **14 Years**  
 (21) Appl. No.: **29/259,205**  
 (22) Filed: **May 4, 2006**  
 (30) **Foreign Application Priority Data**  
 Dec. 21, 2005 (EM) ..... 000452479

6,840,335 B1 \* 1/2005 Wu ..... 173/217  
 D506,914 S \* 7/2005 Okuda ..... D8/68  
 D508,837 S \* 8/2005 Andriolo ..... D8/68  
 D511,080 S \* 11/2005 Koch et al. .... D8/68  
 D514,909 S \* 2/2006 Bosch ..... D8/68  
 D515,378 S \* 2/2006 Wu ..... D8/68  
 D515,380 S \* 2/2006 Ng ..... D8/68  
 D517,885 S \* 3/2006 Corcoran ..... D8/68  
 D520,836 S \* 5/2006 Wu ..... D8/68  
 D525,848 S \* 8/2006 Kokawa ..... D8/68  
 D527,971 S \* 9/2006 Kokawa ..... D8/68  
 2003/0116335 A1 \* 6/2003 Milbourne ..... 173/170  
 2005/0249564 A1 \* 11/2005 Van Bergen et al. ... 408/241 R  
 2005/0257944 A1 \* 11/2005 Cooper ..... 173/217  
 2006/0104735 A1 \* 5/2006 Zeiler et al. .... 173/217

(51) **LOC (8) Cl.** ..... **08-01**  
 (52) **U.S. Cl.** ..... **D8/68**  
 (58) **Field of Classification Search** ..... D8/14.1,  
 D8/61, 62, 63, 64, 65, 66, 67, 68, 69, 70;  
 81/57.11, 429, 464, 465, 466, 469, 489; 173/13,  
 173/104, 114, 168, 169, 170, 171, 178, 201,  
 173/211, 213, 217; 408/20, 124, 125, 234,  
 408/241 R; 451/358; 310/50; 227/8, 113,  
 227/114, 120, 130, 136, 142  
 See application file for complete search history.

**FOREIGN PATENT DOCUMENTS**

GB 2097670 S \* 4/2000  
 GB 3012960 S \* 5/2003

\* cited by examiner

*Primary Examiner*—T. Chase Nelson  
 (74) *Attorney, Agent, or Firm*—Michael J. Striker

(57) **CLAIM**

The ornamental design for an impact drill, as shown and described.

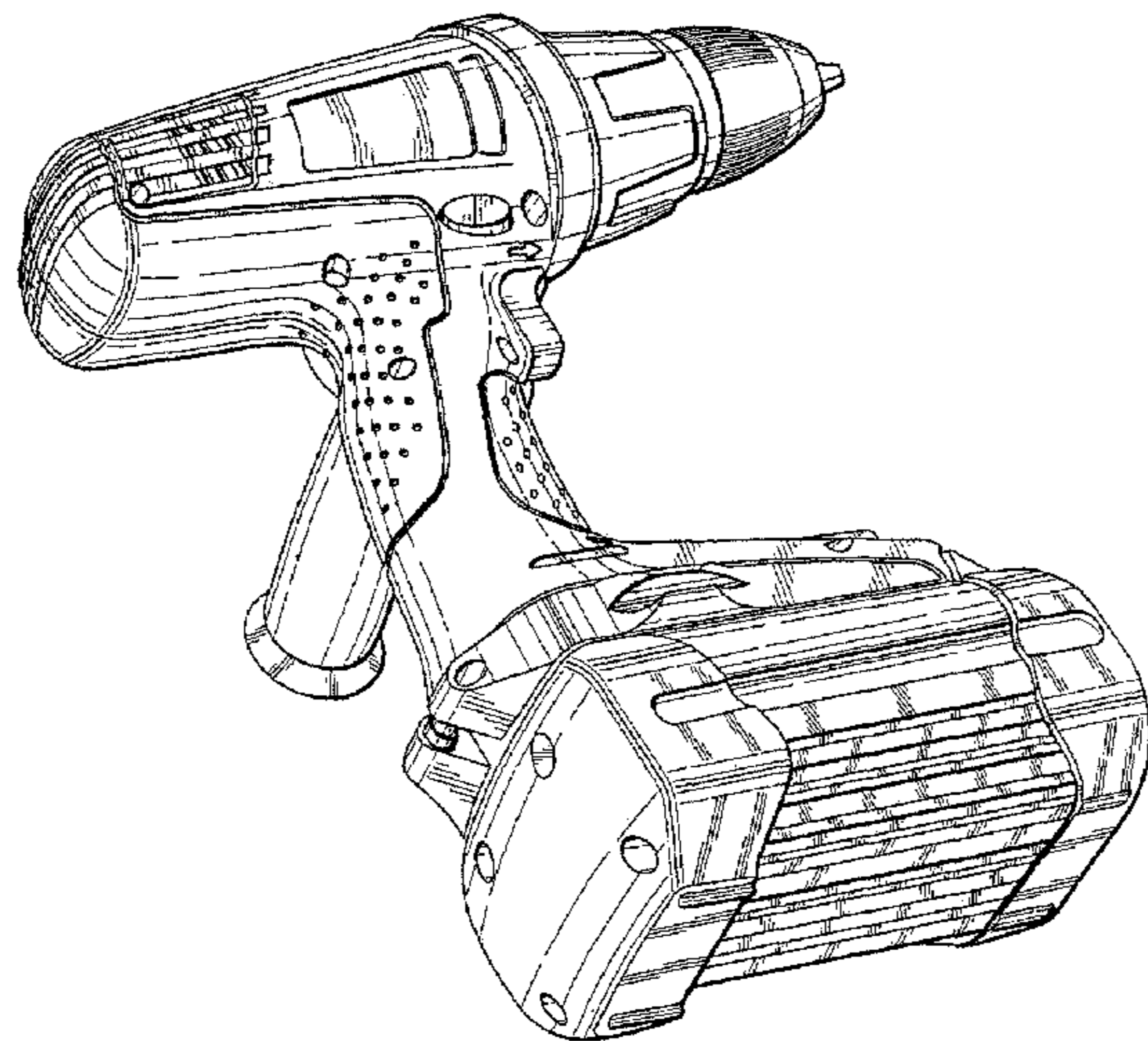
(56) **References Cited**  
 U.S. PATENT DOCUMENTS

D382,457 S \* 8/1997 Ghode et al. .... D8/68  
 D396,177 S \* 7/1998 Schultz ..... D8/68  
 D402,871 S \* 12/1998 Clowers et al. .... D8/68  
 D409,467 S \* 5/1999 Chung ..... D8/68  
 5,918,685 A \* 7/1999 Ulbrich et al. .... 173/170  
 D419,413 S \* 1/2000 Heun ..... D8/68  
 D460,673 S \* 7/2002 Heun ..... D8/68  
 D460,674 S \* 7/2002 Heun ..... D8/68  
 D462,248 S \* 9/2002 Cooper ..... D8/68  
 D462,592 S \* 9/2002 Cooper ..... D8/68  
 D467,483 S \* 12/2002 Heun ..... D8/68  
 6,552,904 B2 \* 4/2003 Fung ..... 310/50  
 D482,253 S \* 11/2003 Cooper et al. .... D8/68

**DESCRIPTION**

FIG. 1 is a perspective view of an impact drill showing my new design;  
 FIG. 2 is a side view thereof;  
 FIG. 3 is a front view thereof;  
 FIG. 4 is the opposite side view of FIG. 2 thereof;  
 FIG. 5 is a rear view thereof;  
 FIG. 6 is a top view thereof; and,  
 FIG. 7 is a bottom view thereof.

**1 Claim, 7 Drawing Sheets**



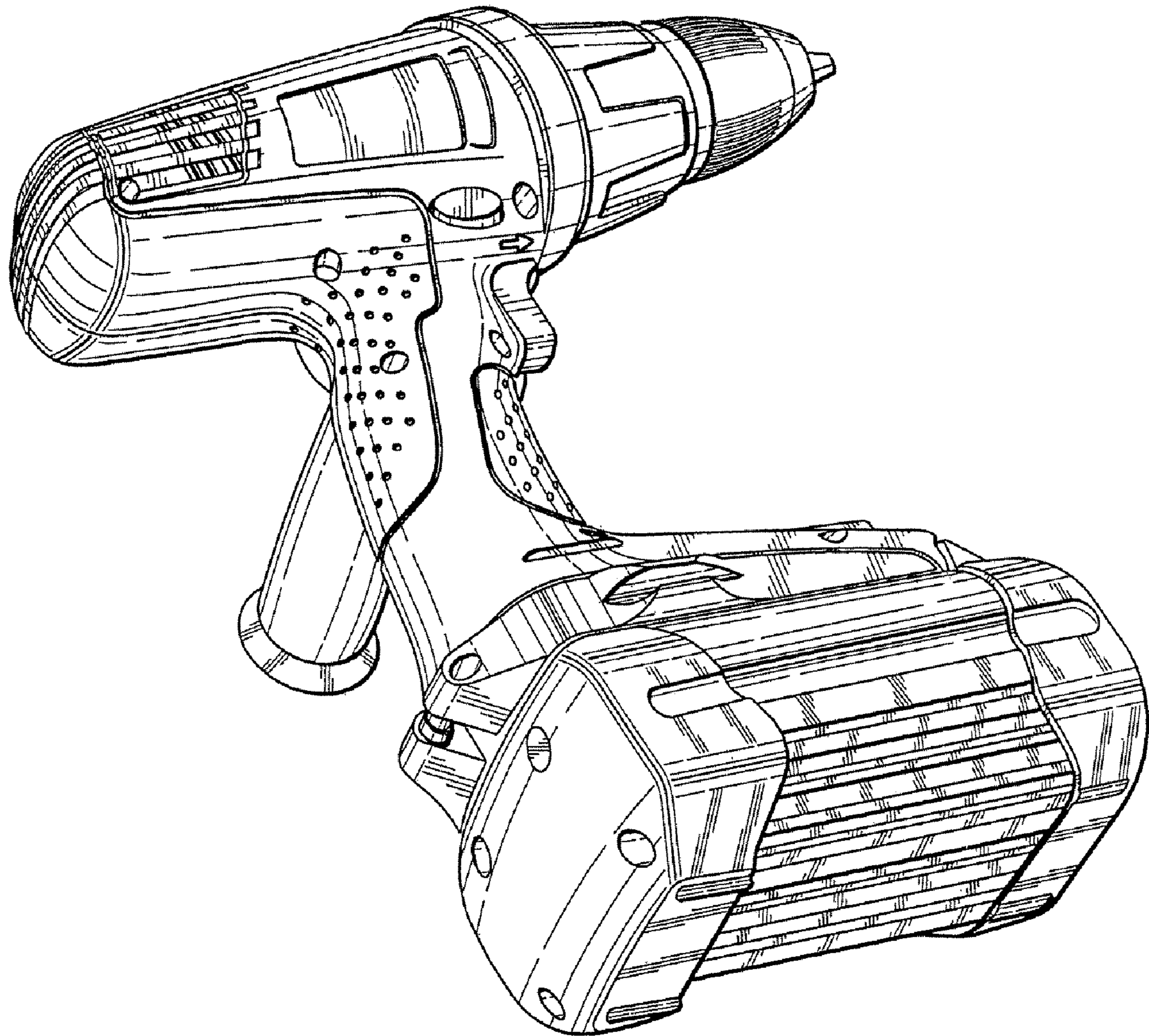


Fig. 1

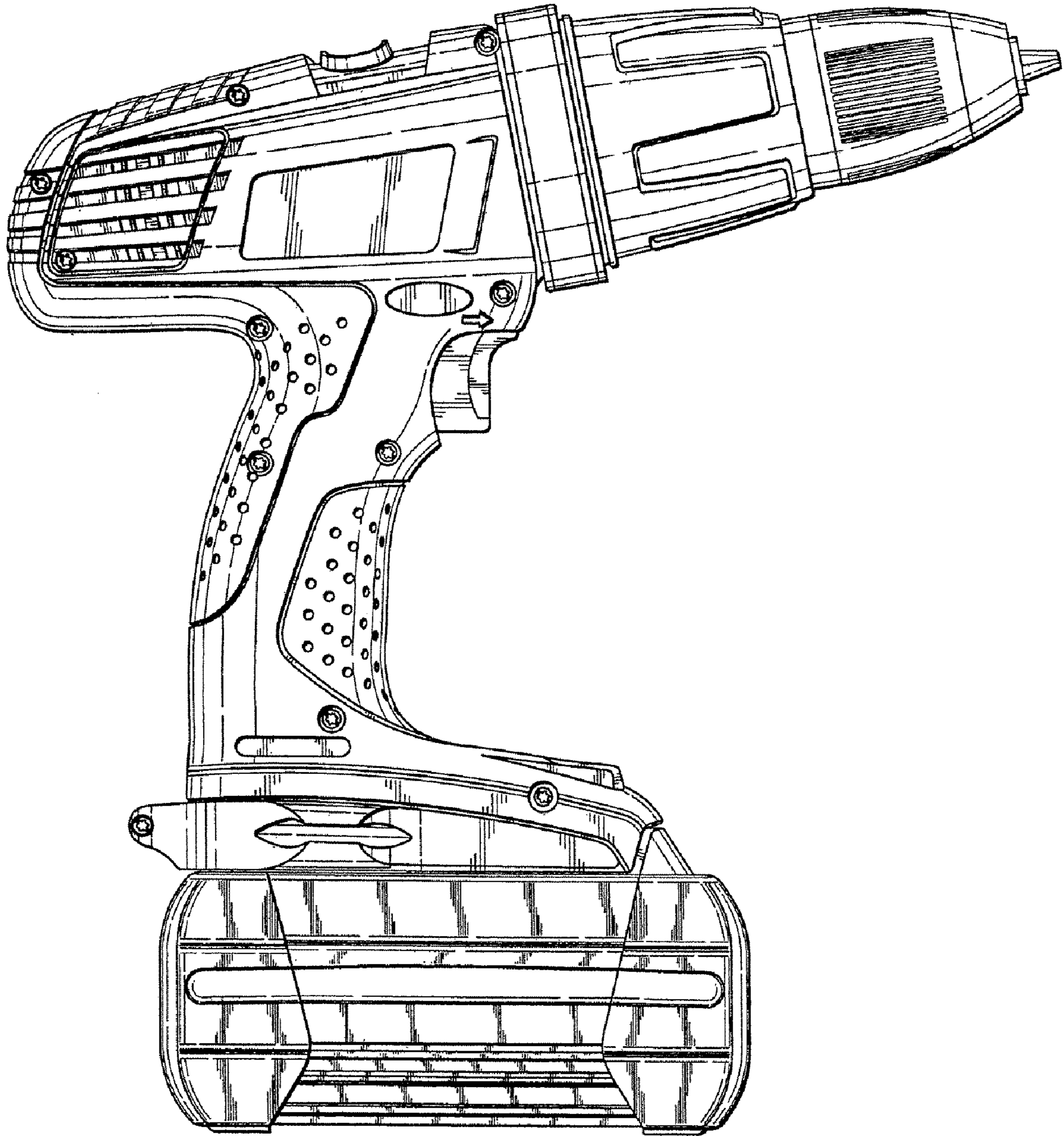


Fig. 2

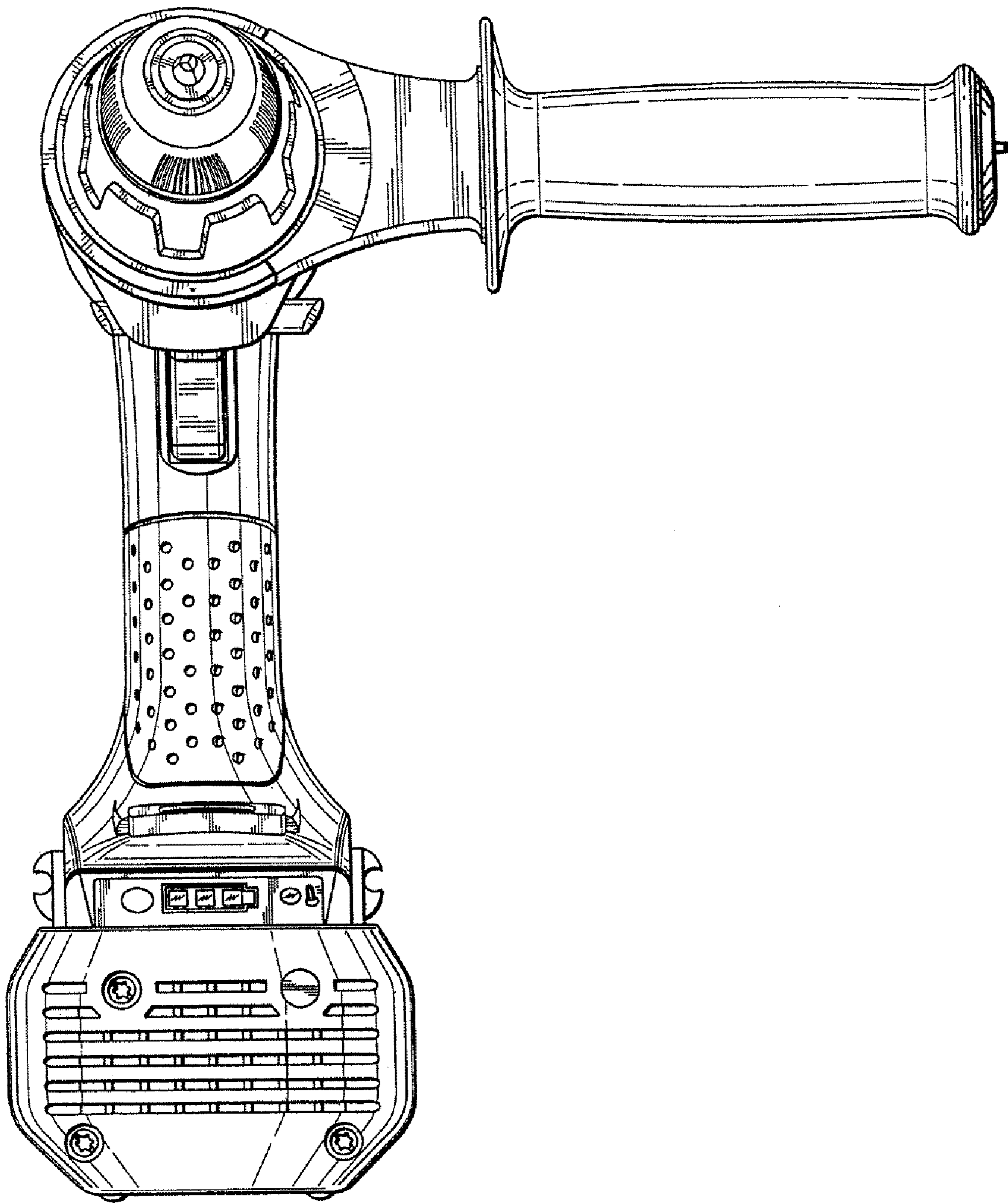


Fig. 3

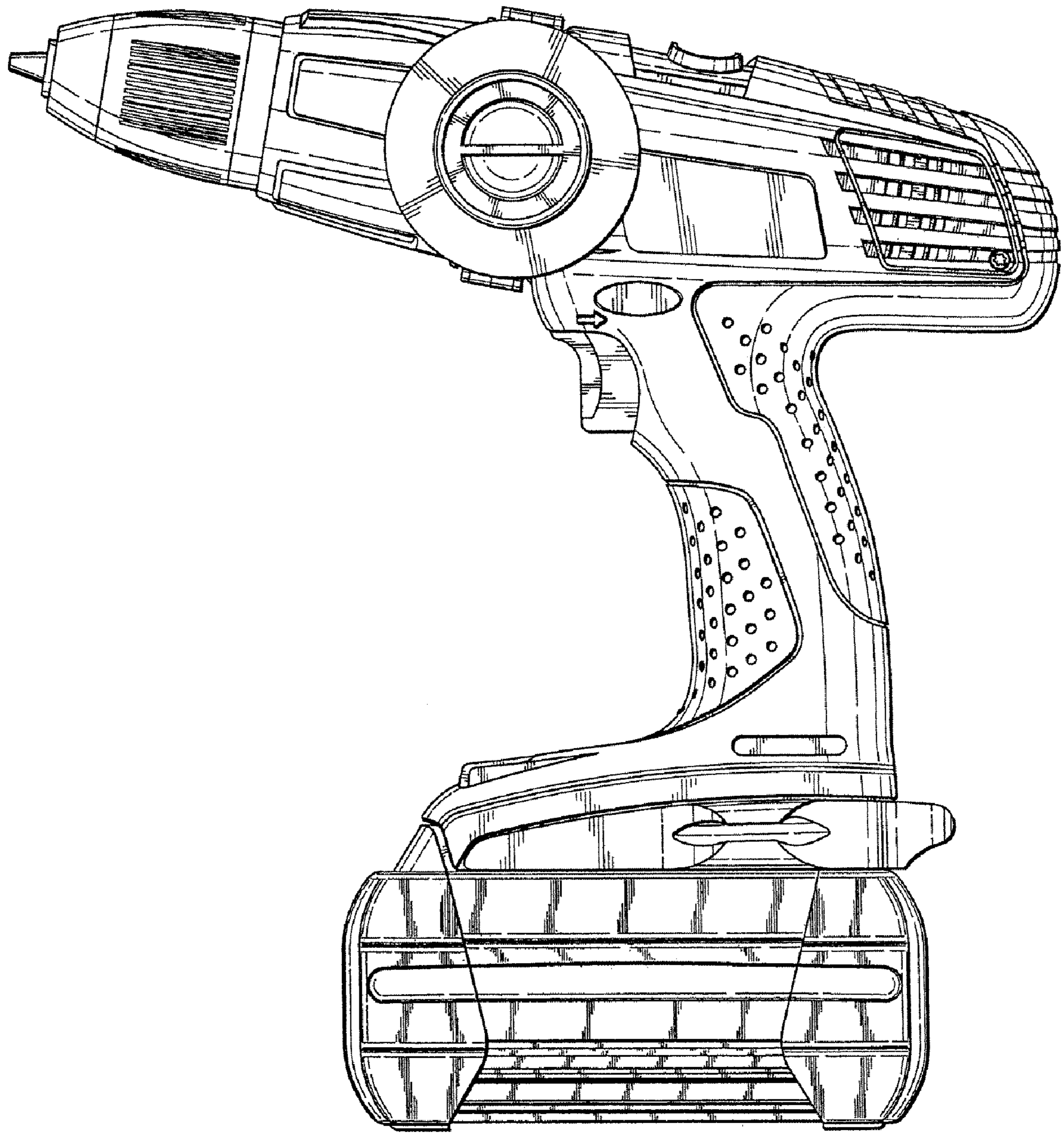


Fig. 4

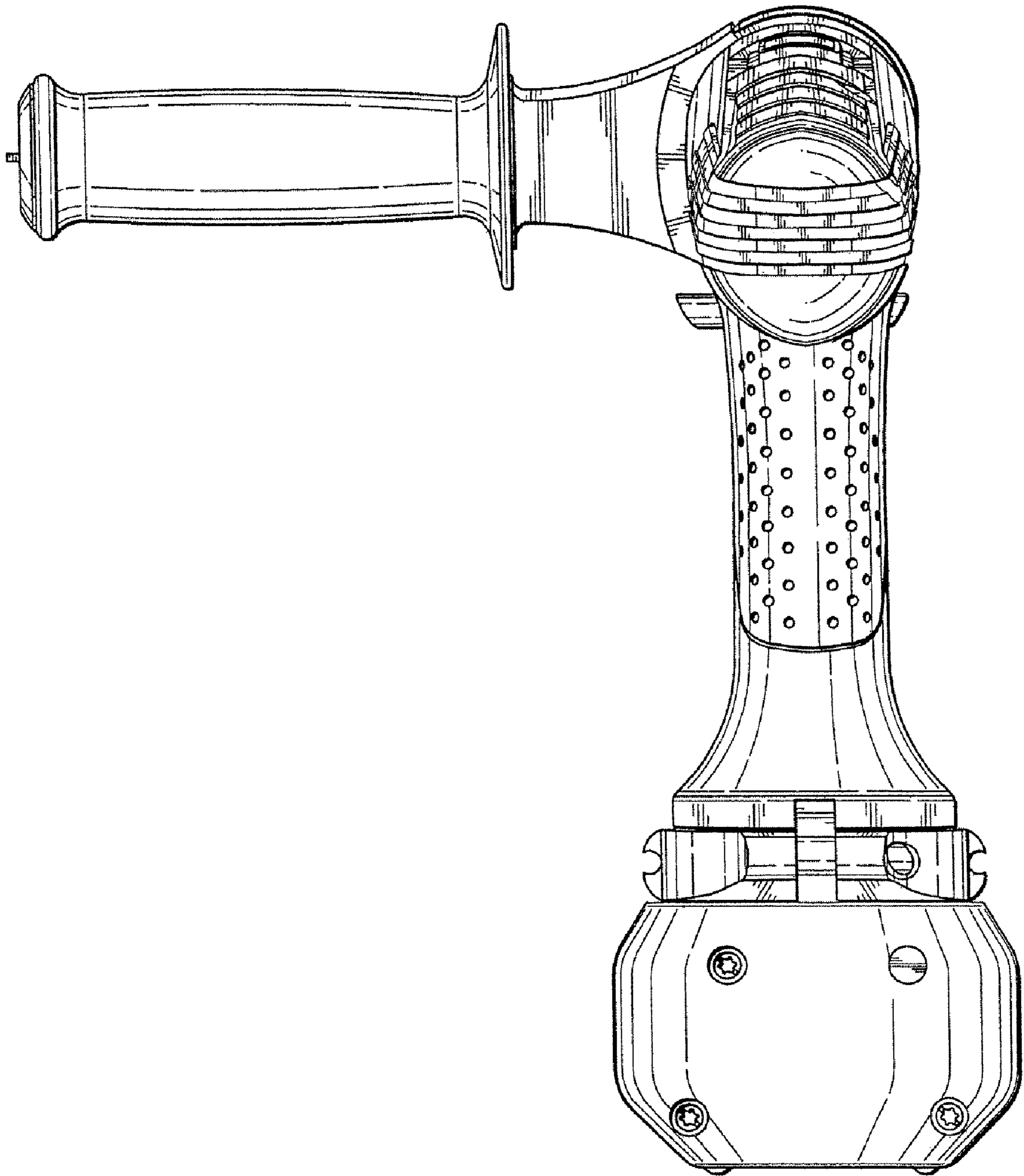


Fig. 5

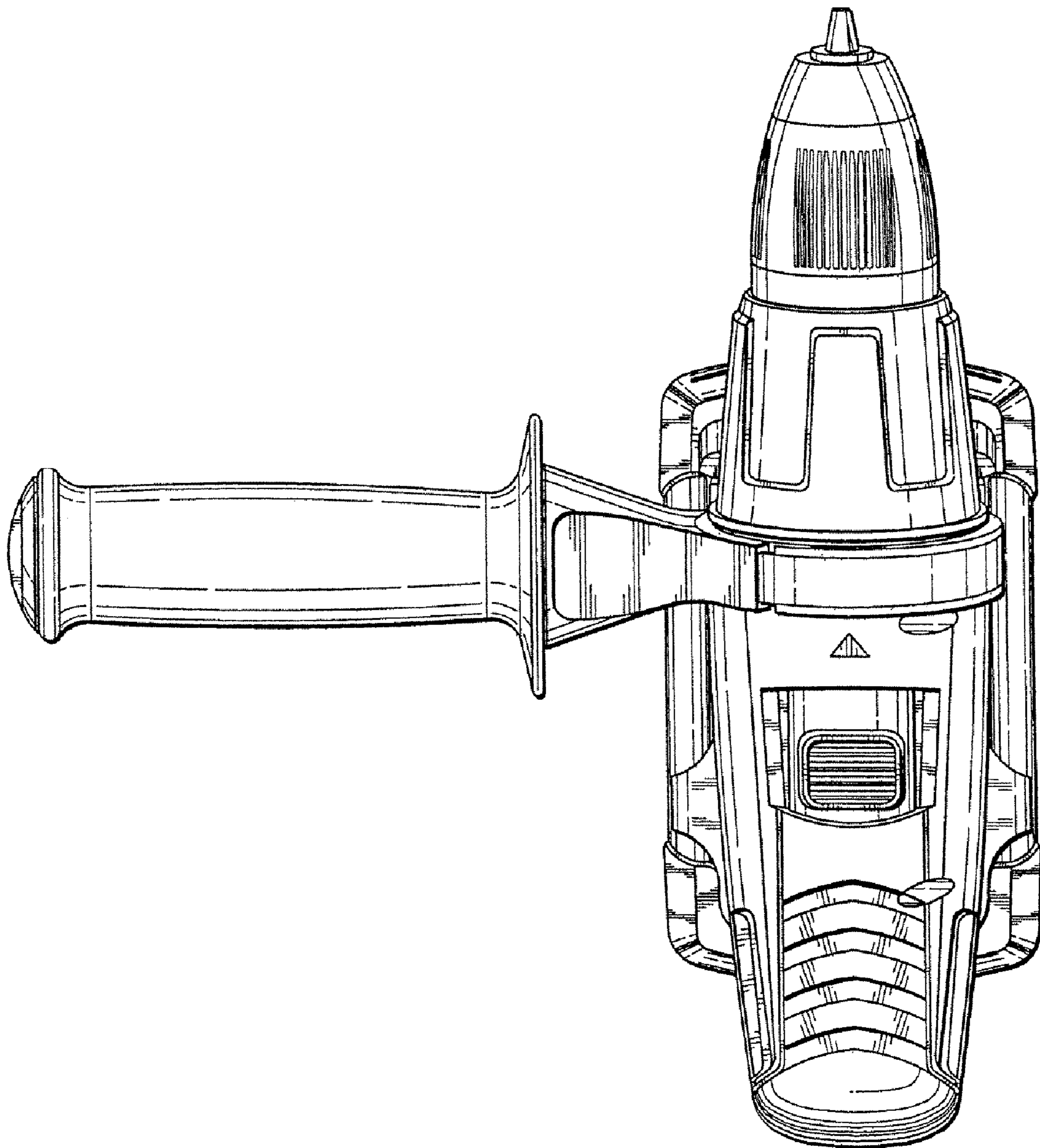


Fig. 6

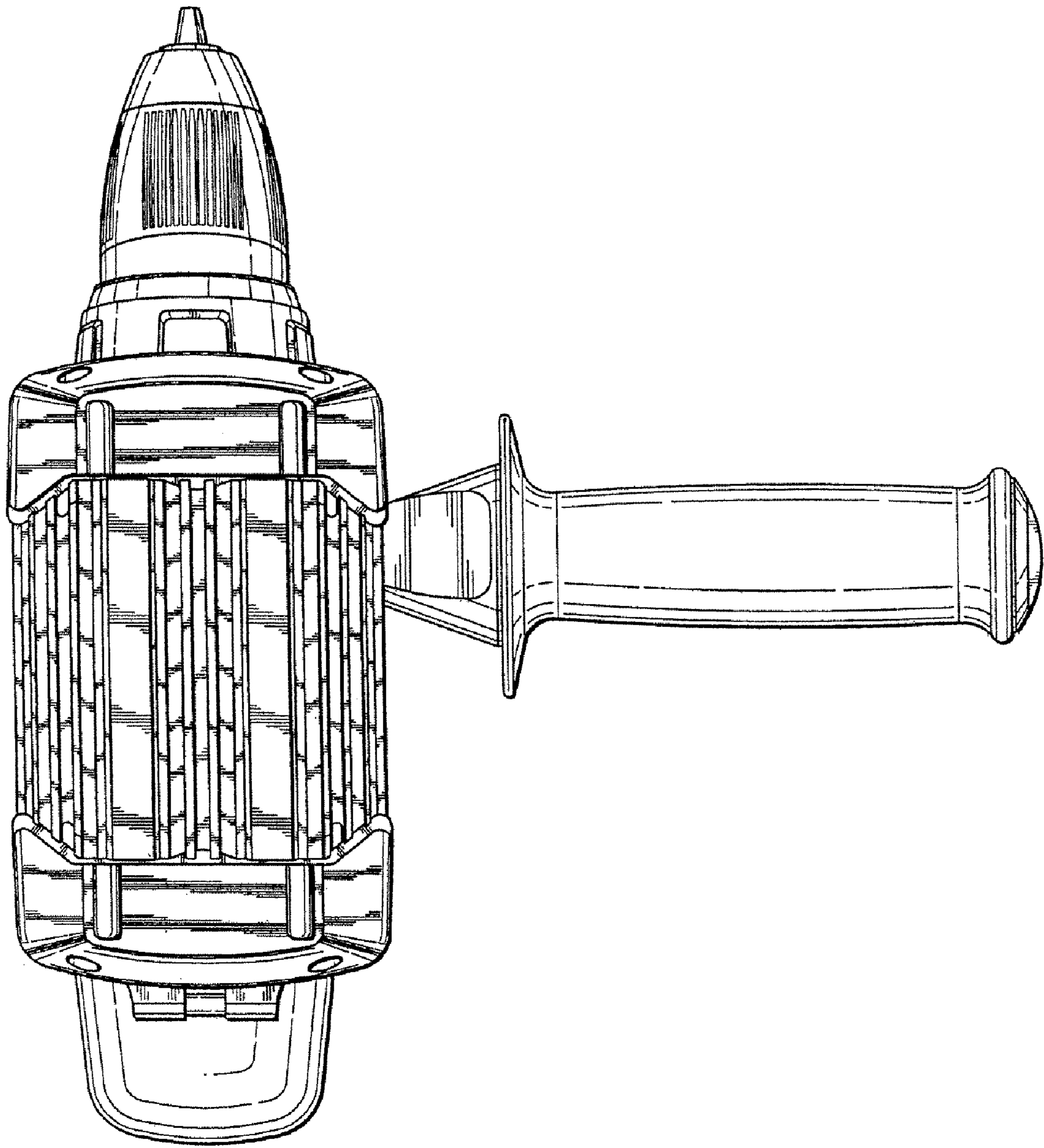


Fig. 7