



US00D551526S

(12) **United States Design Patent**
Aglassinger

(10) **Patent No.: US D551,526 S**

(45) **Date of Patent: ** Sep. 25, 2007**

(54) **SANDER**

(75) Inventor: **Hans-Peter Aglassinger**, Esslingen
(DE)

(73) Assignee: **Robert Bosch GmbH**, Stuttgart (DE)

(**) Term: **14 Years**

(21) Appl. No.: **29/260,463**

(22) Filed: **May 24, 2006**

Related U.S. Application Data

(62) Division of application No. 29/244,665, filed on Dec. 13, 2005, now Pat. No. Des. 526,549.

(30) **Foreign Application Priority Data**

Oct. 12, 2005 (DE) 405 05 306

(51) **LOC (8) Cl.** **08-01**

(52) **U.S. Cl.** **D8/62**

(58) **Field of Classification Search** D8/67,
D8/62, 61; D32/15, 17, 19; D4/102; 451/456,
451/451, 359, 358, 357, 356, 355, 354, 353,
451/351, 344

See application file for complete search history.

(56) **References Cited**

U.S. PATENT DOCUMENTS

D352,437 S * 11/1994 Chunn et al. D8/62
6,514,131 B1 * 2/2003 Reich et al. 451/344

6,626,746 B2 * 9/2003 Mayr et al. 451/356
6,857,948 B2 * 2/2005 Bocka et al. 451/356
D503,600 S * 4/2005 Bian D8/62
D507,731 S * 7/2005 Robson D8/62
D509,722 S * 9/2005 Wikle et al. D8/62
D526,549 S * 8/2006 Aglassinger D8/62
D527,235 S * 8/2006 Aglassinger D8/62
2002/0037691 A1 * 3/2002 Mayr et al. 451/356
2004/0002296 A1 * 1/2004 Reich et al. 451/357
2005/0085172 A1 * 4/2005 Gansel et al. 451/356

* cited by examiner

Primary Examiner—Cathron C. Brooks

Assistant Examiner—Austin Murphy

(74) *Attorney, Agent, or Firm*—Michael J. Striker

(57) **CLAIM**

The ornamental design for a sander, as shown and described.

DESCRIPTION

FIG. 1 is a bottom side perspective view of a sander showing my new design;

FIG. 2 is a side view thereof;

FIG. 3 is a bottom view thereof;

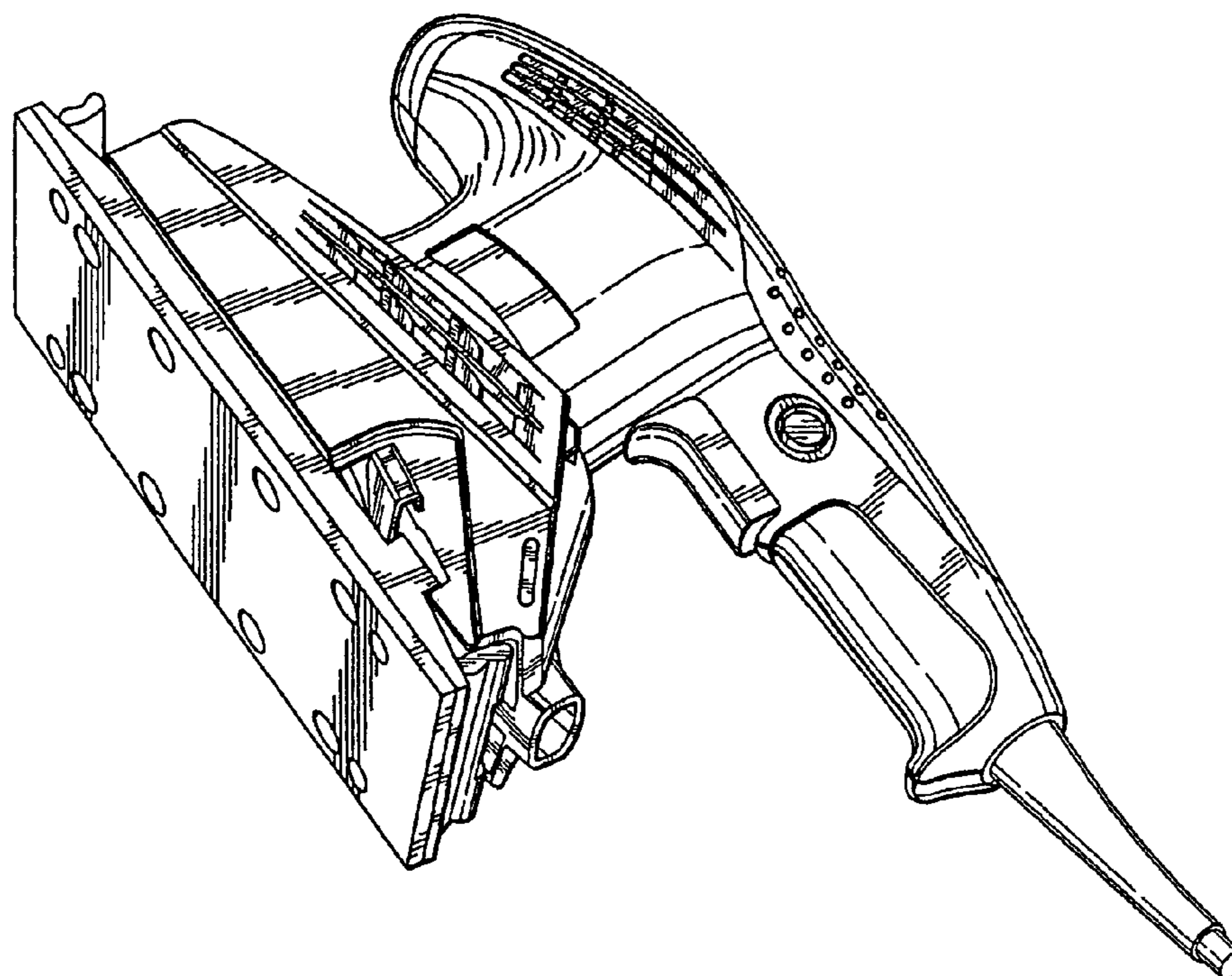
FIG. 4 is the opposite side view of FIG. 2 thereof;

FIG. 5 is a top view thereof;

FIG. 6 is a front view thereof; and,

FIG. 7 is a rear view thereof.

1 Claim, 7 Drawing Sheets



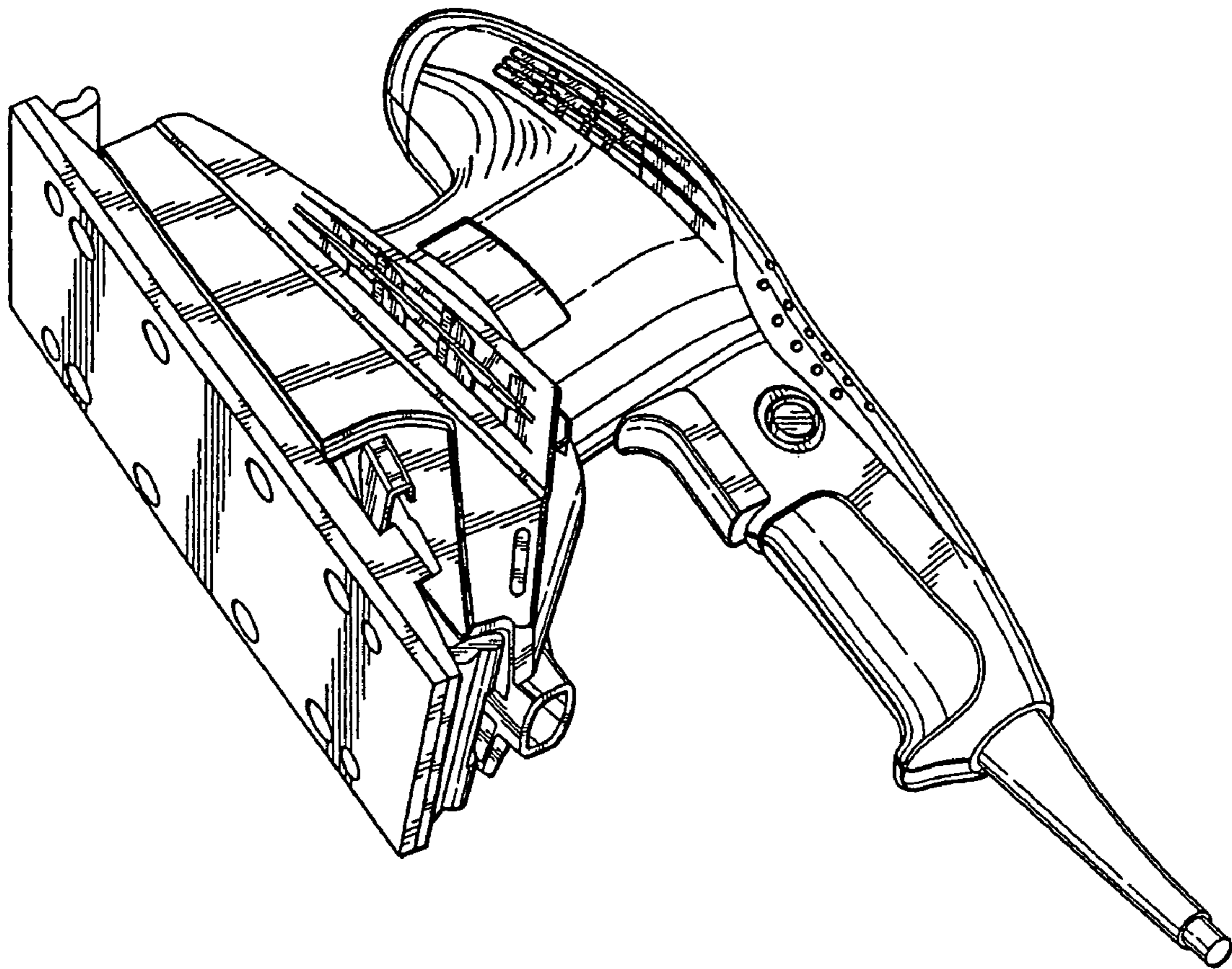


FIG. 1

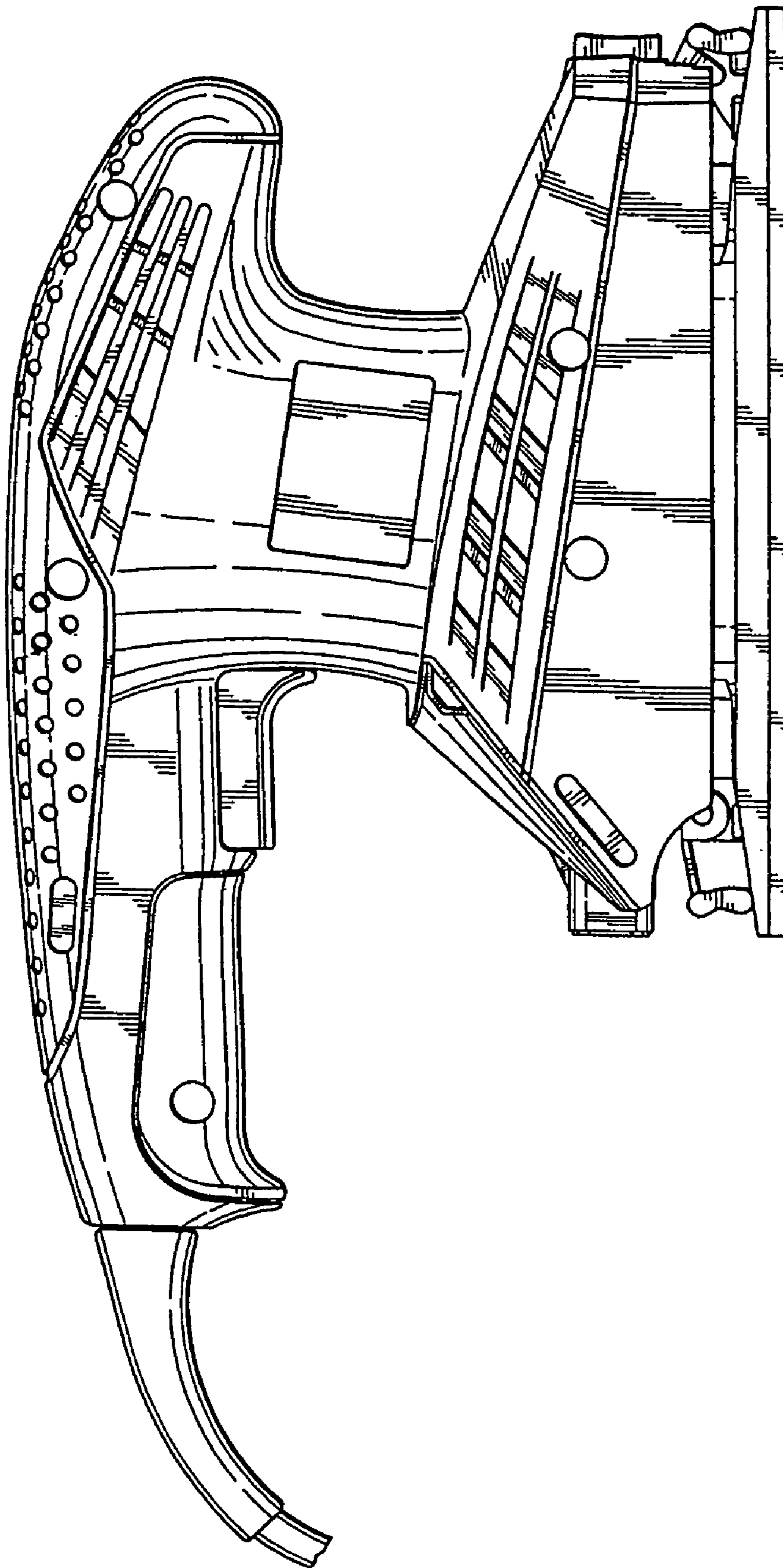


FIG. 2

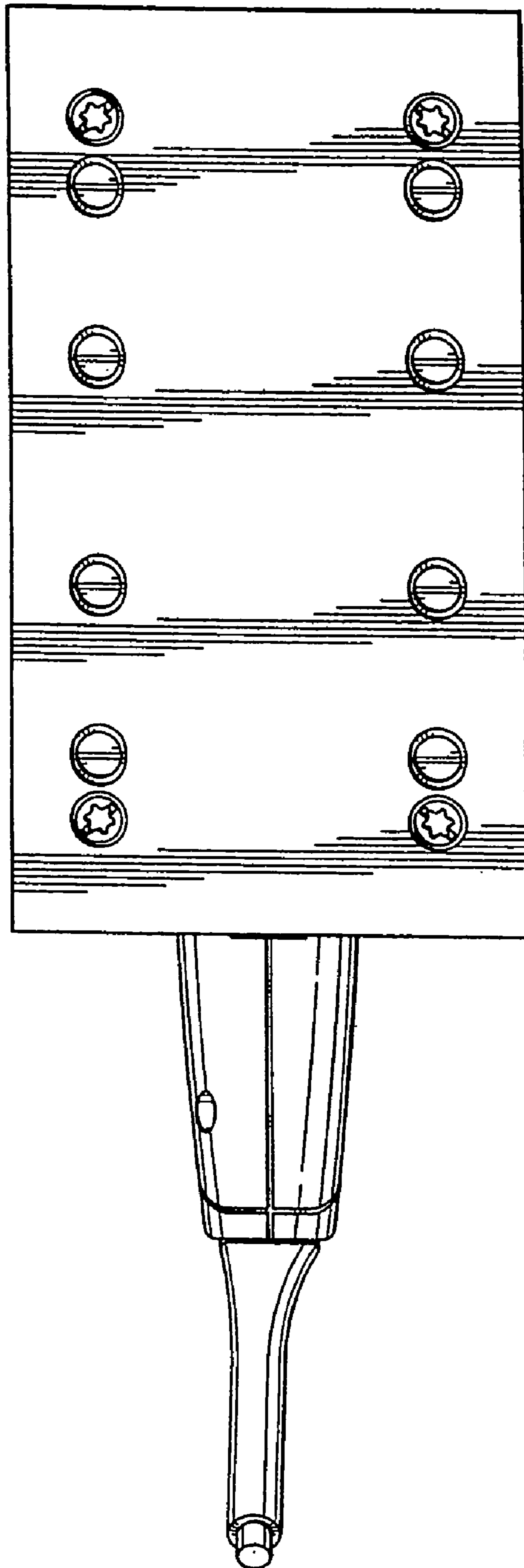


FIG. 3

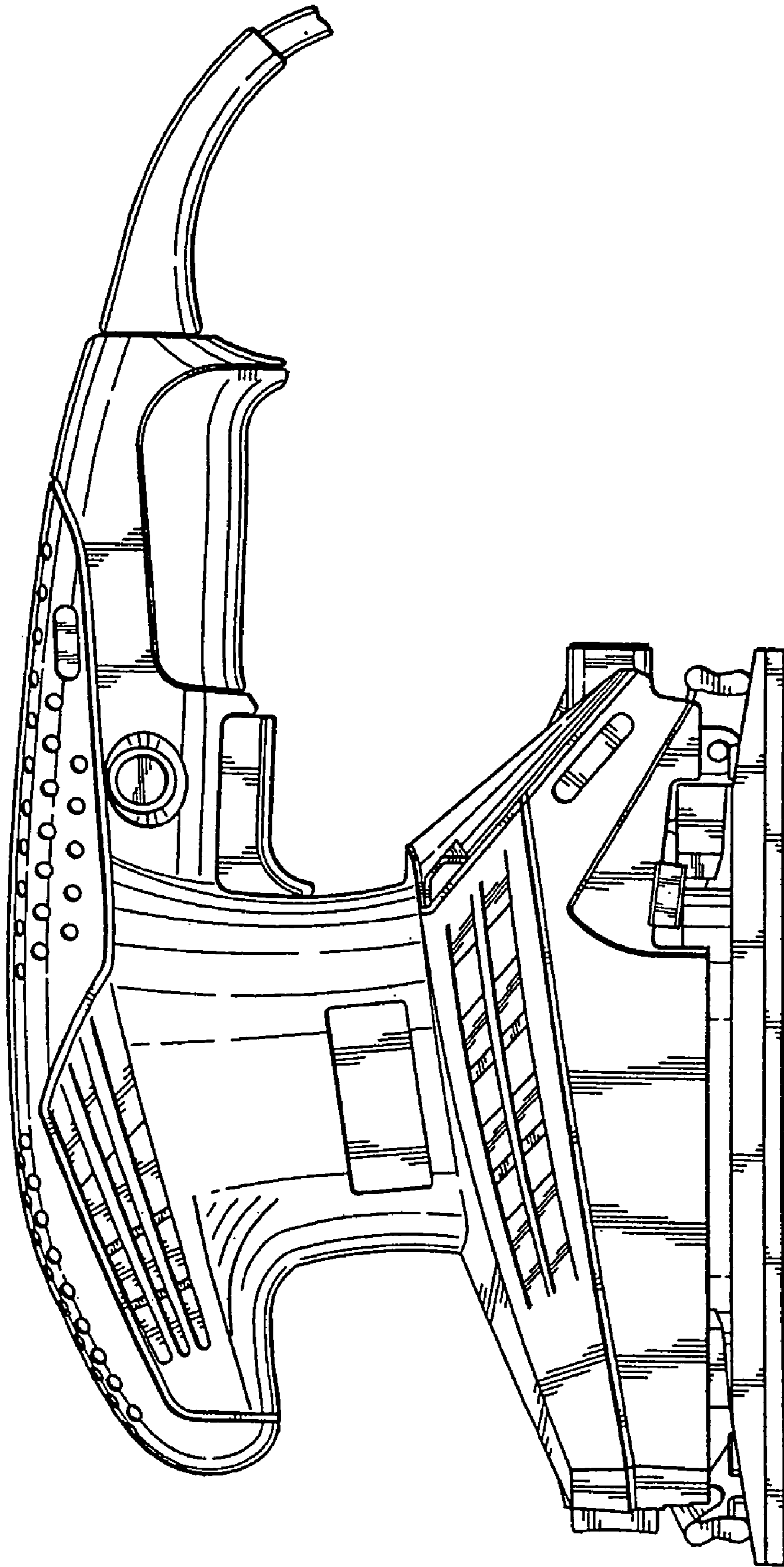


FIG. 4

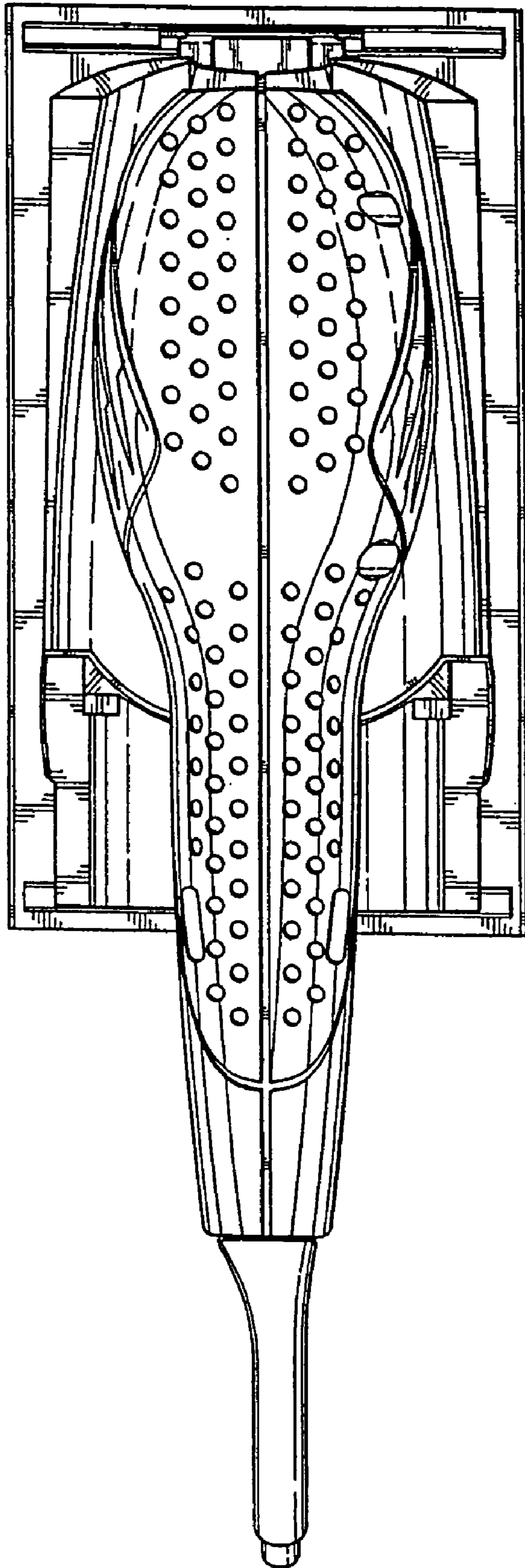


FIG. 5

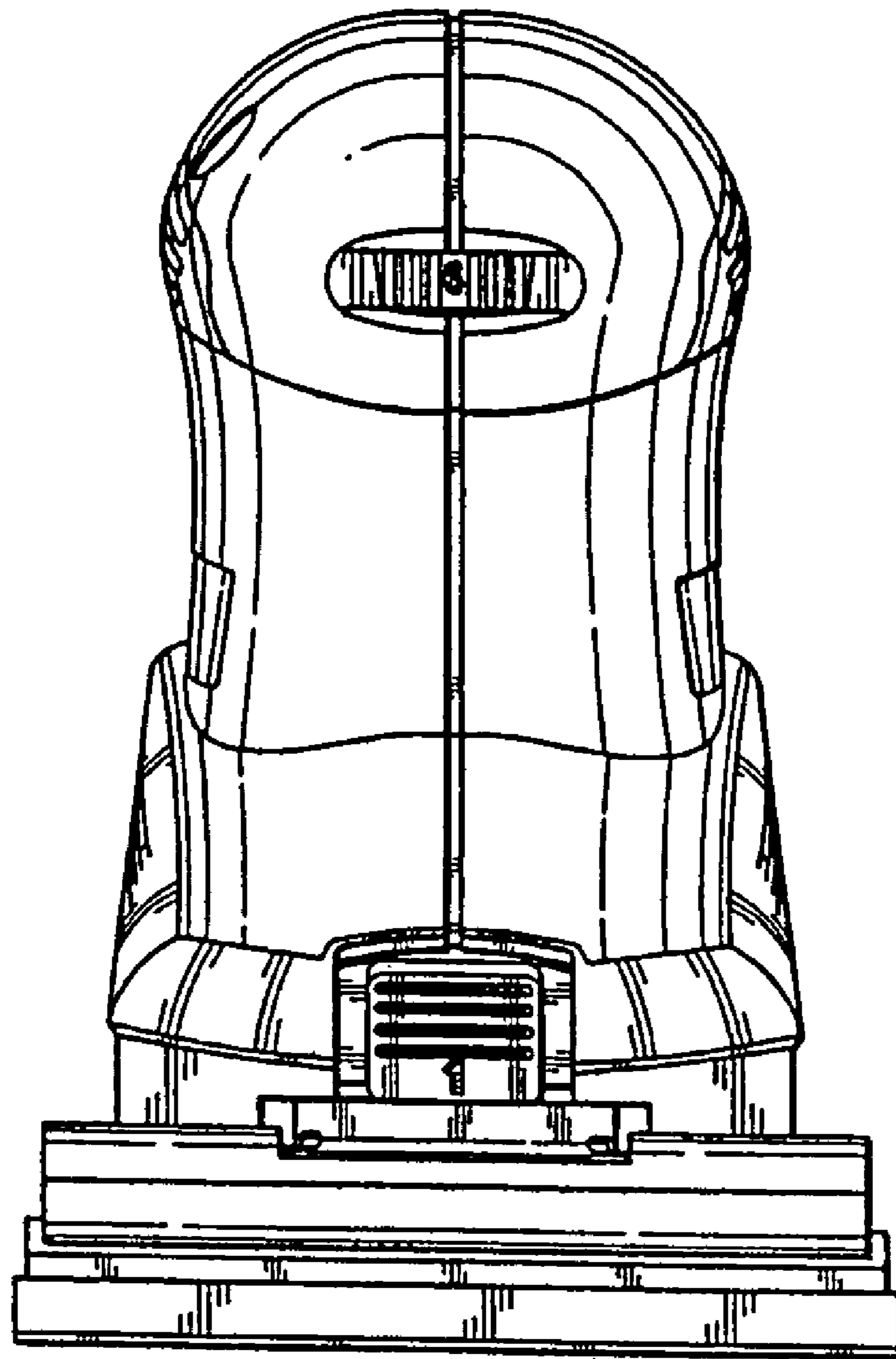


FIG. 6

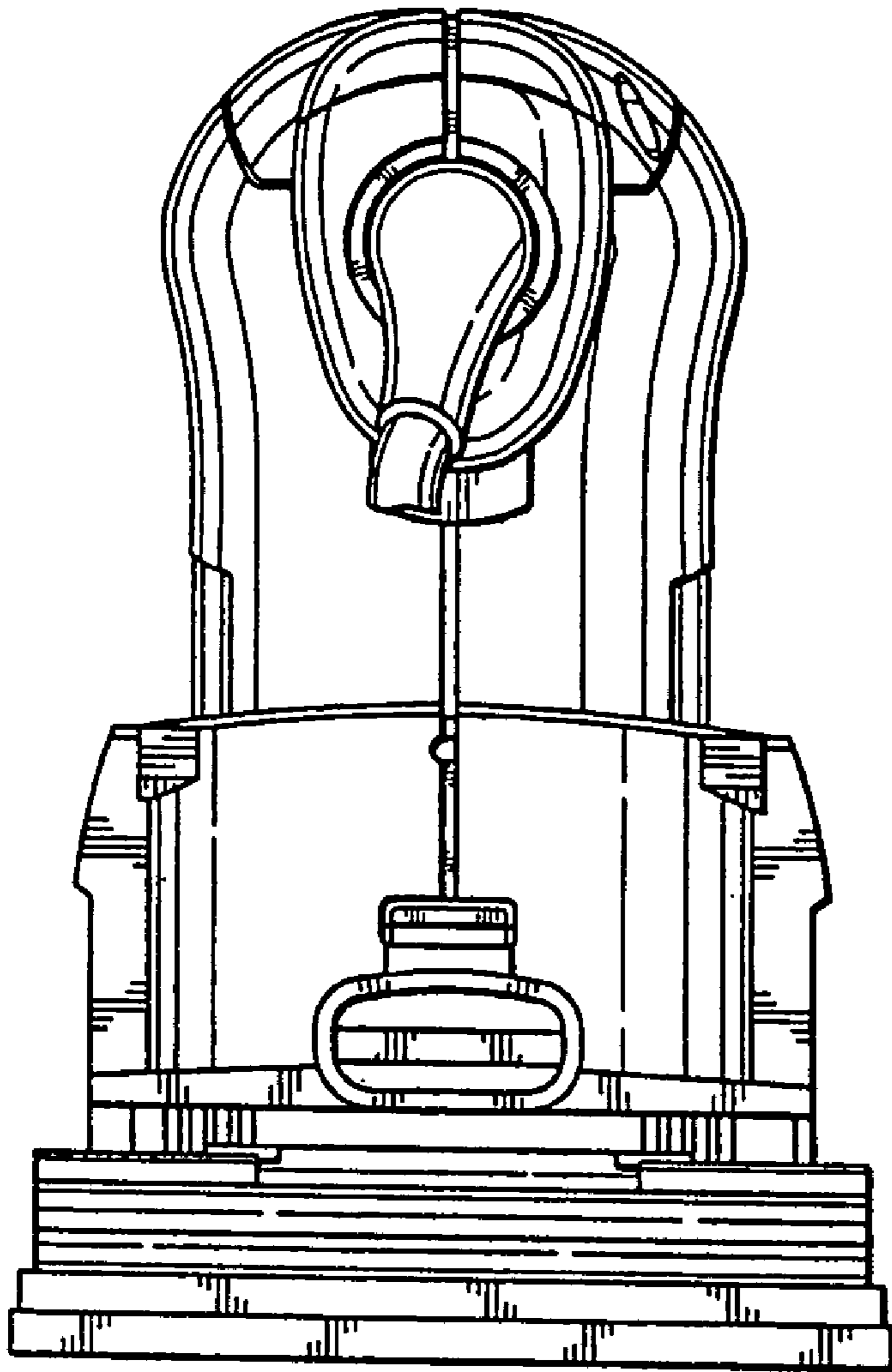


FIG. 7