



US00D551524S

(12) **United States Design Patent**  
**Norton et al.**

(10) **Patent No.:** **US D551,524 S**

(45) **Date of Patent:** **\*\* Sep. 25, 2007**

(54) **FOLDING SHOVEL**

(75) Inventors: **Jeffrey M. Norton**, Lebanon, PA (US);  
**Joshua O. Mullen**, Duncannon, PA (US)

(73) Assignee: **Ames True Temper, Inc.**, Camp Hill, PA (US)

(\*\*) Term: **14 Years**

(21) Appl. No.: **29/243,209**

(22) Filed: **Nov. 21, 2005**

(51) **LOC (8) Cl.** ..... **08-01**

(52) **U.S. Cl.** ..... **D8/10**

(58) **Field of Classification Search** ..... D8/10;  
7/116; 294/53.5, 54.5  
See application file for complete search history.

(56) **References Cited**

**U.S. PATENT DOCUMENTS**

D102,957 S *	1/1937	Renner	.....	D8/9
2,070,555 A *	2/1937	Aylwin	.....	403/66
3,401,971 A	9/1968	Cronquist		
D395,211 S	6/1998	Linden et al.		
D426,436 S	6/2000	Ng		

**OTHER PUBLICATIONS**

iPrepare.com, Emergency supplies, Folding shovel 100T003 [online], Dec. 8, 2004, retrieved Mar. 3, 2007. Retrieved from the internet <URL http://www.iprepare.com/100t003.html.\*

\* cited by examiner

*Primary Examiner*—Holly H. Baynham

*Assistant Examiner*—Sheryl Friedman

(74) *Attorney, Agent, or Firm*—David V. Radack; Eckert Seamans Cherin & Mellott, LLC

(57) **CLAIM**

The ornamental design for a folding shovel, as shown and described.

**DESCRIPTION**

FIG. 1 is a perspective view of a folding shovel.

FIG. 2 is a front view of the folding shovel of FIG. 1.

FIG. 3 is a back view of the folding shovel of FIG. 1.

FIG. 4 is a top plan view of the folding shovel of FIG. 1.

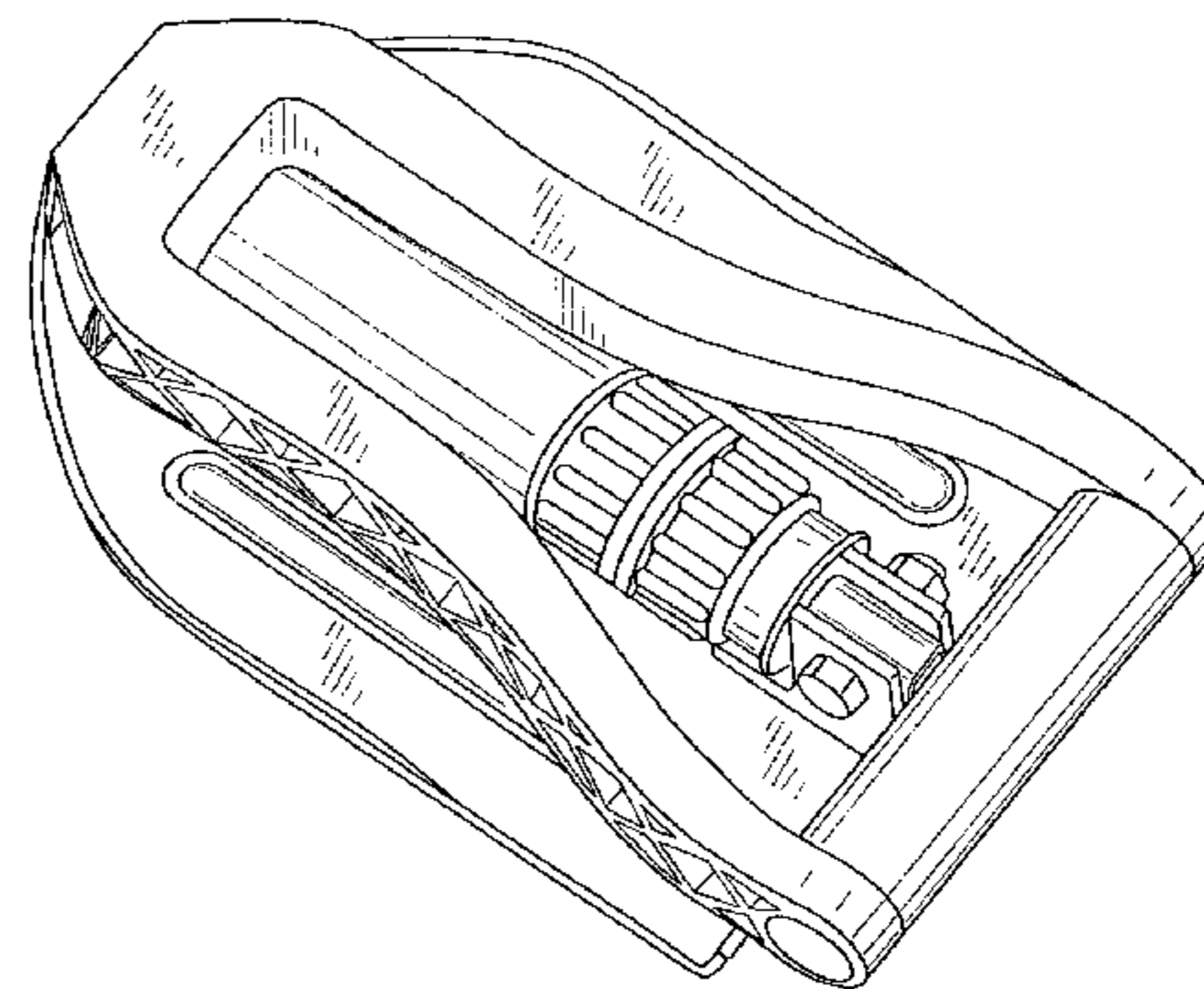
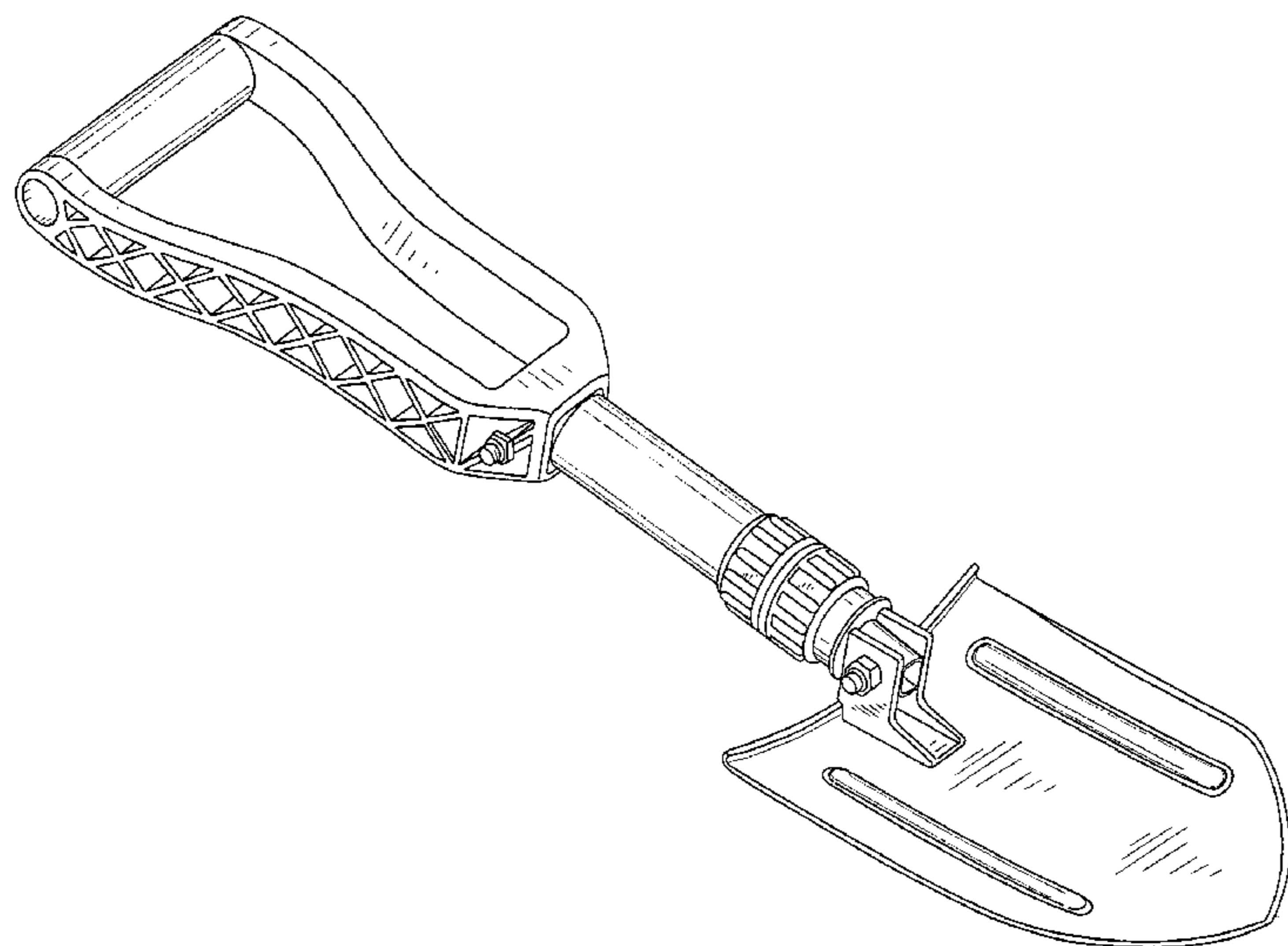
FIG. 5 is a bottom plan view of the folding shovel of FIG. 1.

FIG. 6 is a left side elevational view of the folding shovel of FIG. 1.

FIG. 7 is a right side elevational view of the folding shovel of FIG. 1; and,

FIG. 8 is a perspective view of the folding shovel of FIG. 1 in a folded position.

**1 Claim, 5 Drawing Sheets**



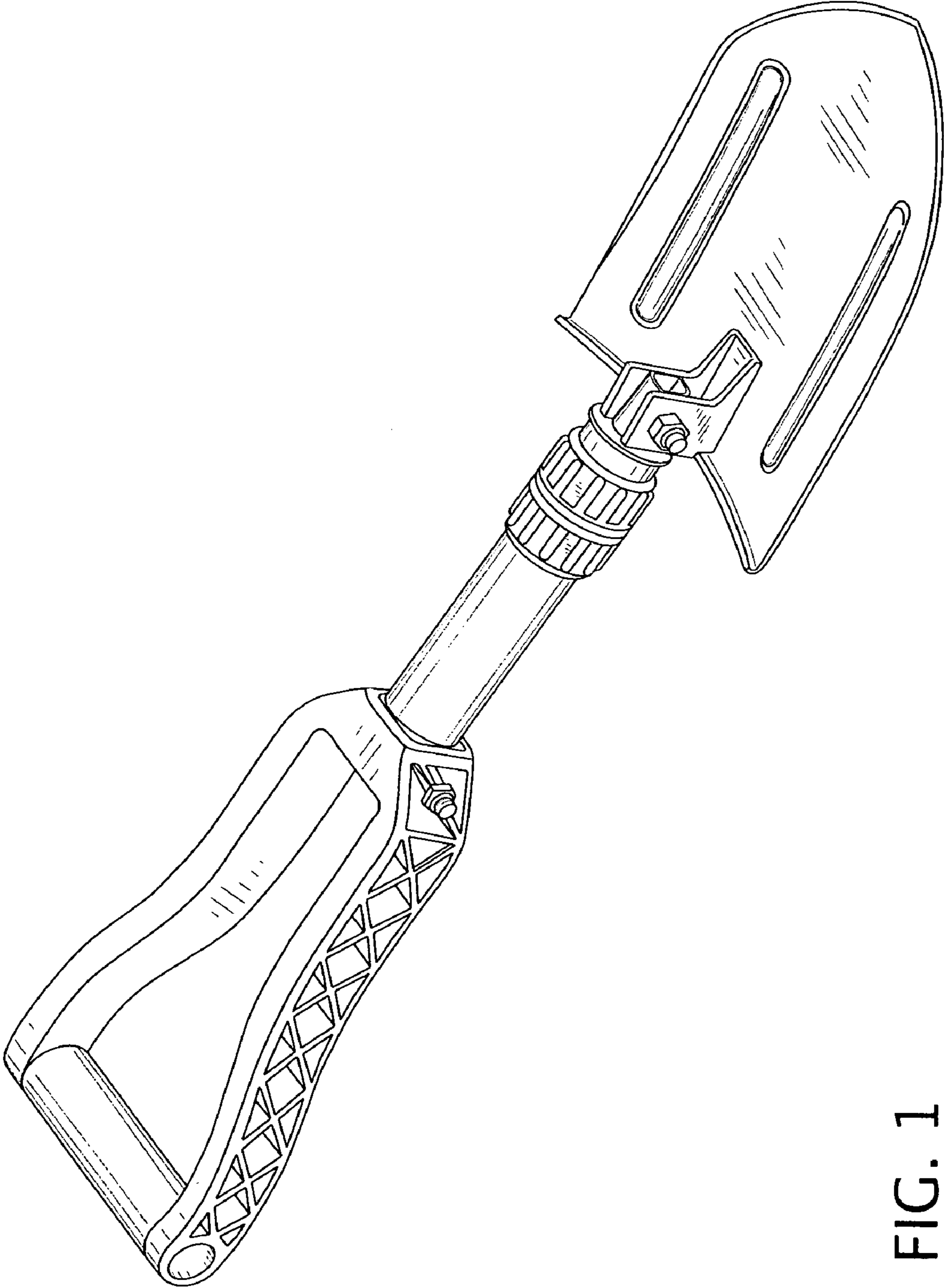


FIG. 1

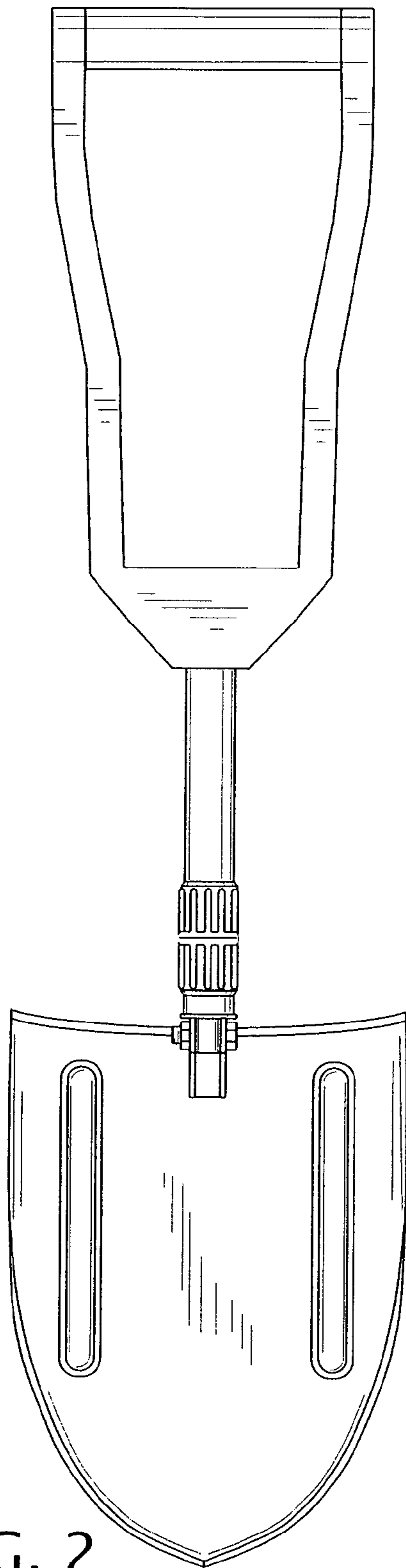


FIG. 2

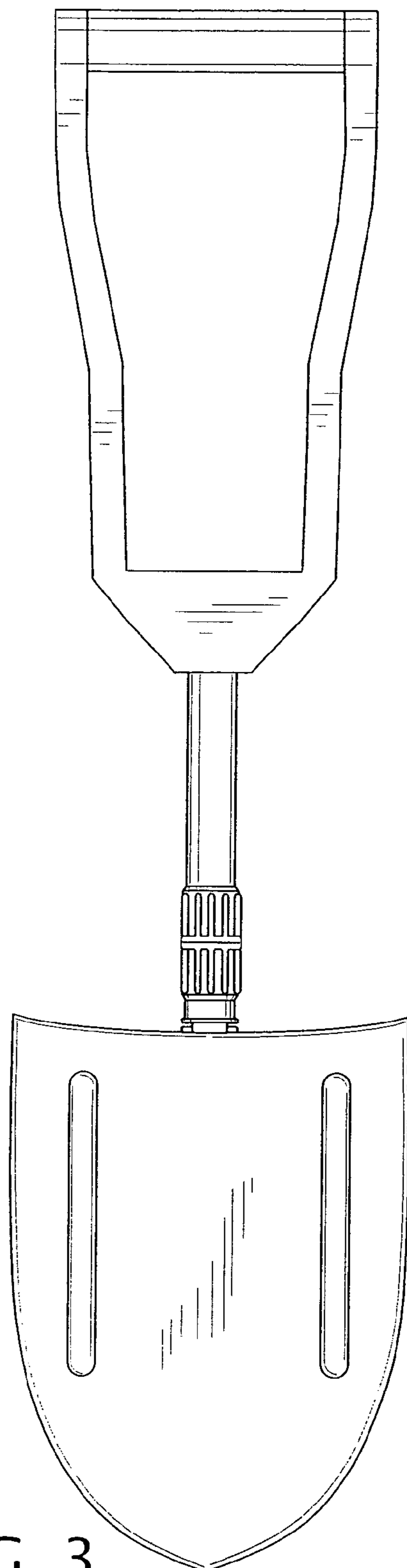


FIG. 3

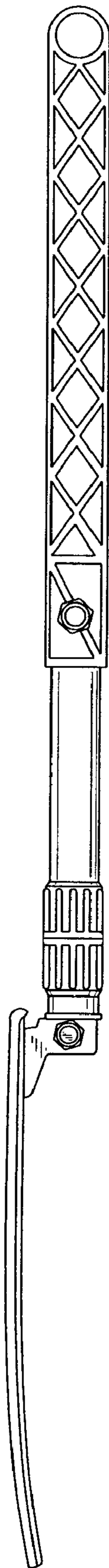


FIG. 4

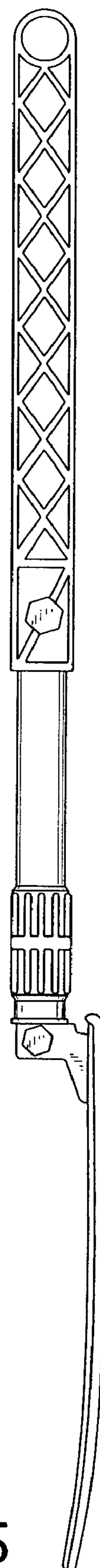


FIG. 5

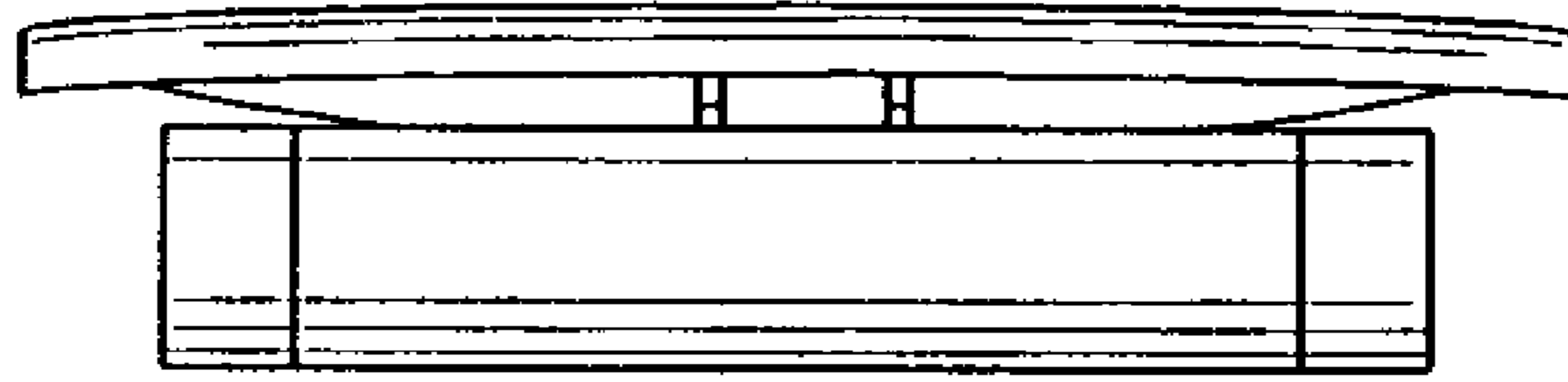


FIG. 6

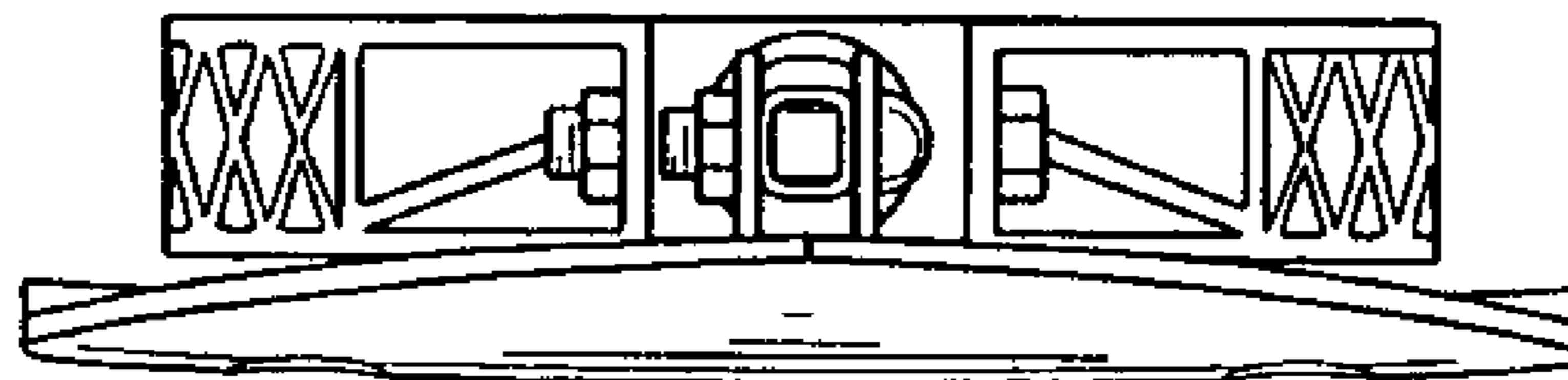


FIG. 7

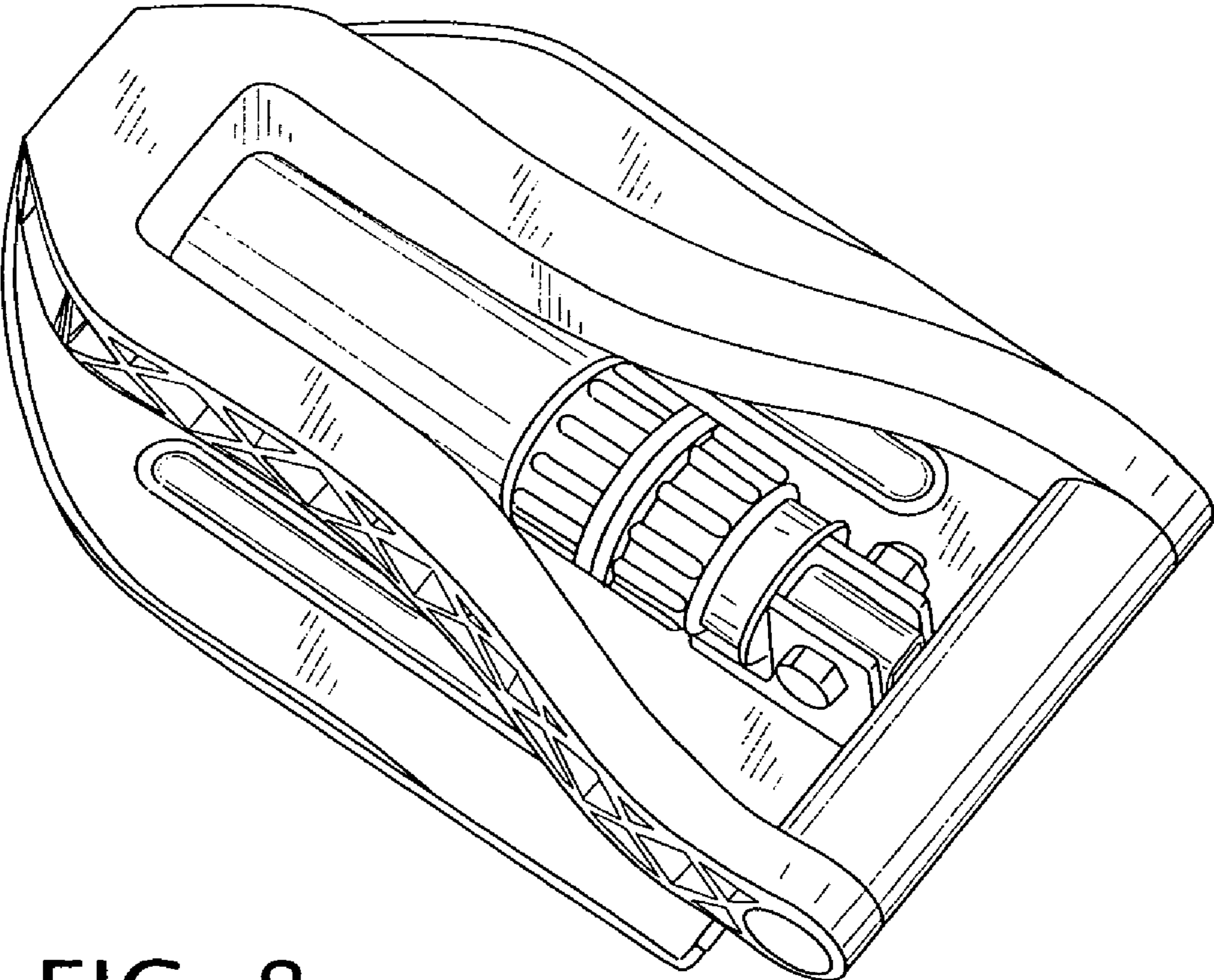


FIG. 8