



US00D551521S

(12) **United States Design Patent**
Chang Chien

(10) **Patent No.:** **US D551,521 S**
(45) **Date of Patent:** **** Sep. 25, 2007**

(54) **COMBINED FRUIT AND VEGETABLE
PROCESSOR**

Primary Examiner—Terry A. Wallace
(74) *Attorney, Agent, or Firm*—Leong C. Lei

(76) Inventor: **Sung-Shan Chang Chien**, No. 8-1, Mei
Shan Rd., Niao Sung Hsiang,
Kaohsiung Hsien (TW)

(57) **CLAIM**

(**) Term: **14 Years**

The ornamental design for a combined fruit and vegetable processor, as shown and described.

(21) Appl. No.: **29/249,008**

(22) Filed: **Sep. 15, 2006**

DESCRIPTION

(51) **LOC (8) Cl.** **31-00**

(52) **U.S. Cl.** **D7/665; D7/378; D7/384**

(58) **Field of Classification Search** D7/665–668,
D7/378, 381, 384; 99/501–513, 492, 495,
99/497, 499; 241/166–169.1, 274–278.2,
241/33, 36, 37.5, 100, 282.1, 282.2; 366/64–67,
366/98, 100, 129, 191, 197–201, 241–254,
366/341, 342

See application file for complete search history.

FIG. 1 is a perspective view of a combined fruit and vegetable processor showing my new design;
FIG. 2 is a front side elevational view thereof;
FIG. 3 is rear side elevational view thereof;
FIG. 4 is a left elevational view thereof;
FIG. 5 is a right elevational view thereof
FIG. 6 is a top plan view thereof;
FIG. 7 is a bottom plan view thereof; and,
FIG. 8 is another perspective view thereof, with a capped flat cover engaged.

(56) **References Cited**

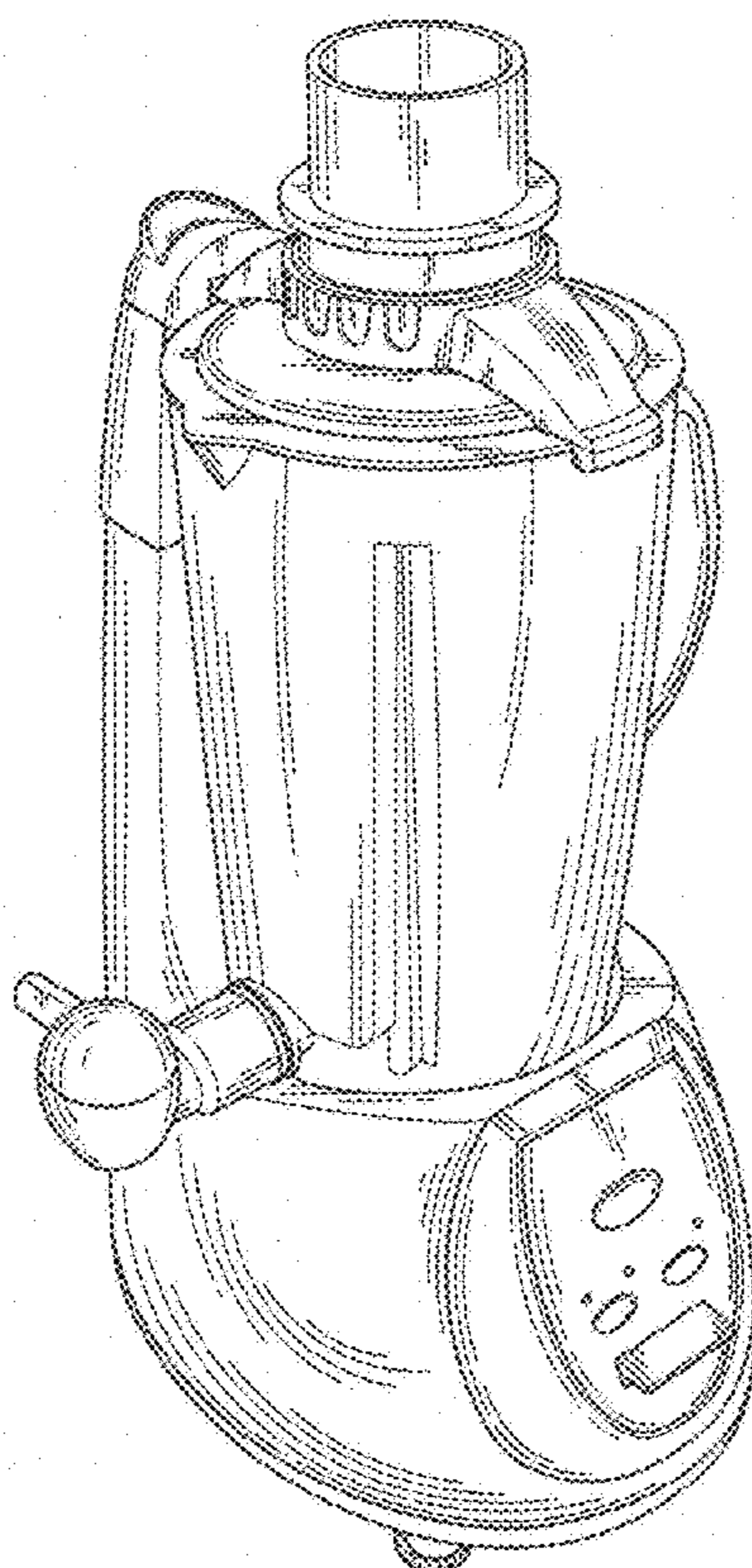
U.S. PATENT DOCUMENTS

D483,607 S *	12/2003	Chang Chien	D7/384
D498,642 S *	11/2004	Huang	D7/378
D504,277 S *	4/2005	Hei	D7/378
2003/0099154 A1 *	5/2003	Daniels, Jr.	366/191
2005/0207270 A1 *	9/2005	Beesley	366/205

The dotted line showing of the capped flat cover is for illustrative purposes only and forms no part of the claimed design.

* cited by examiner

1 Claim, 5 Drawing Sheets



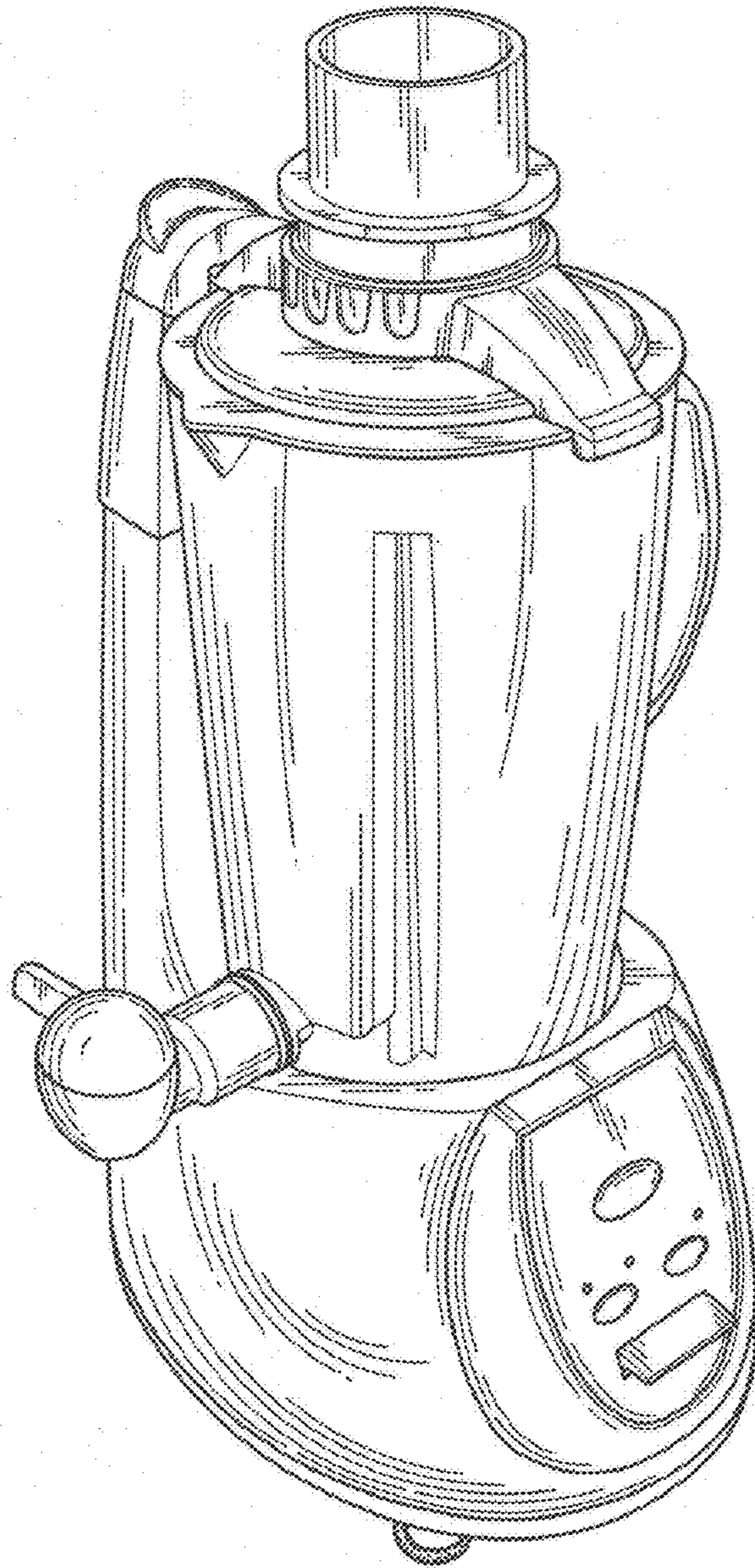


FIG. 1

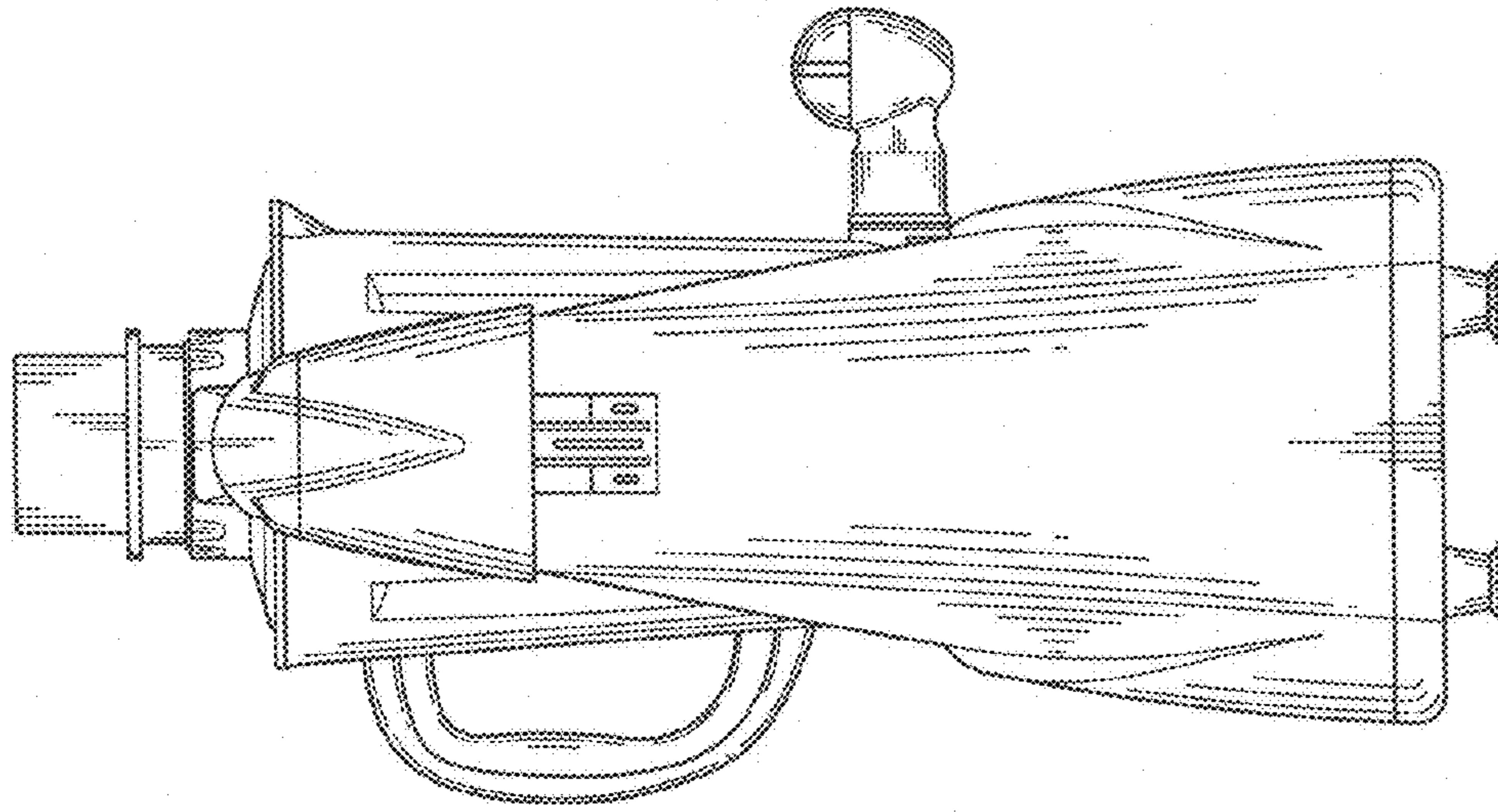


FIG. 3

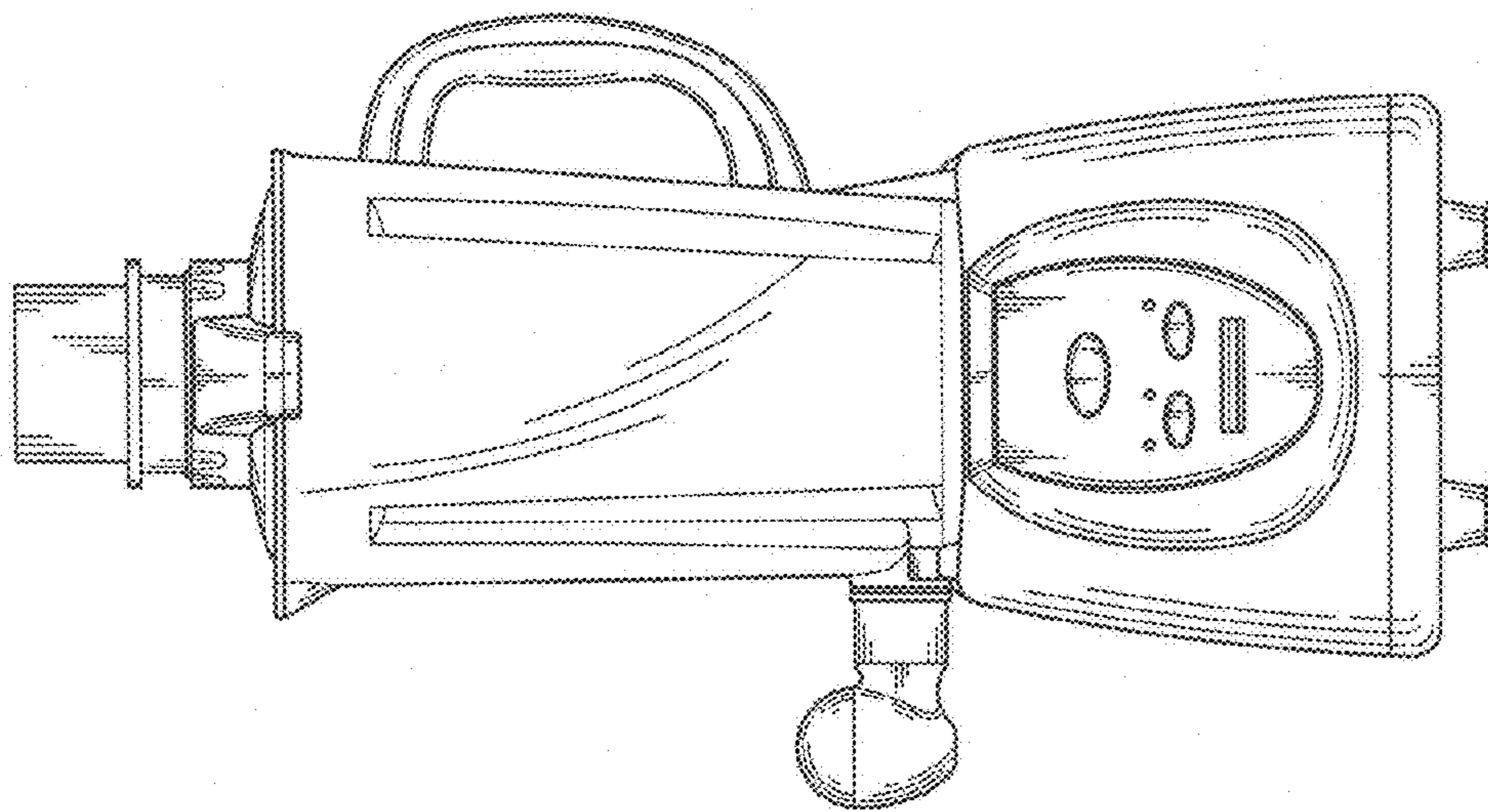


FIG. 2

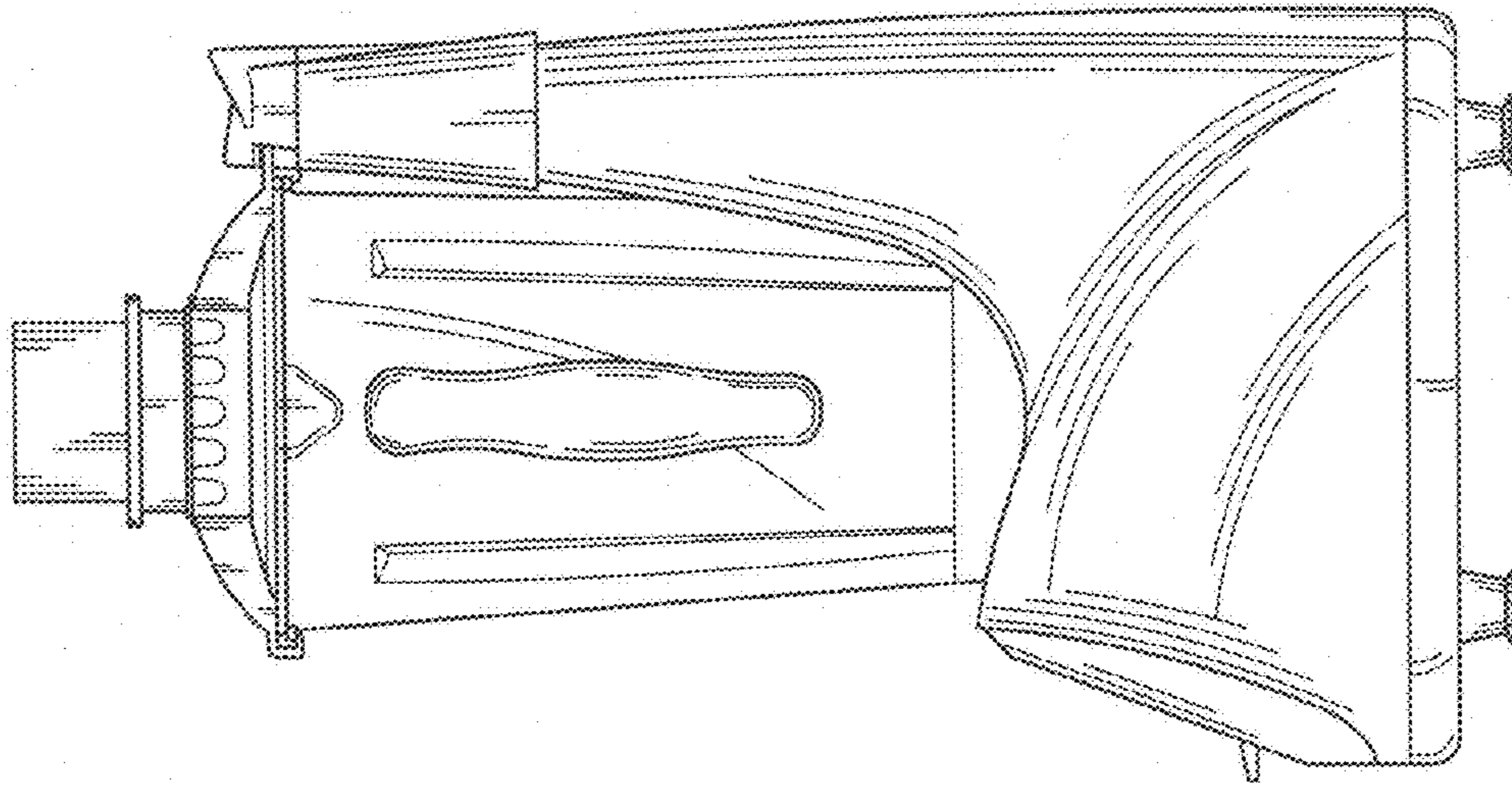


FIG.5

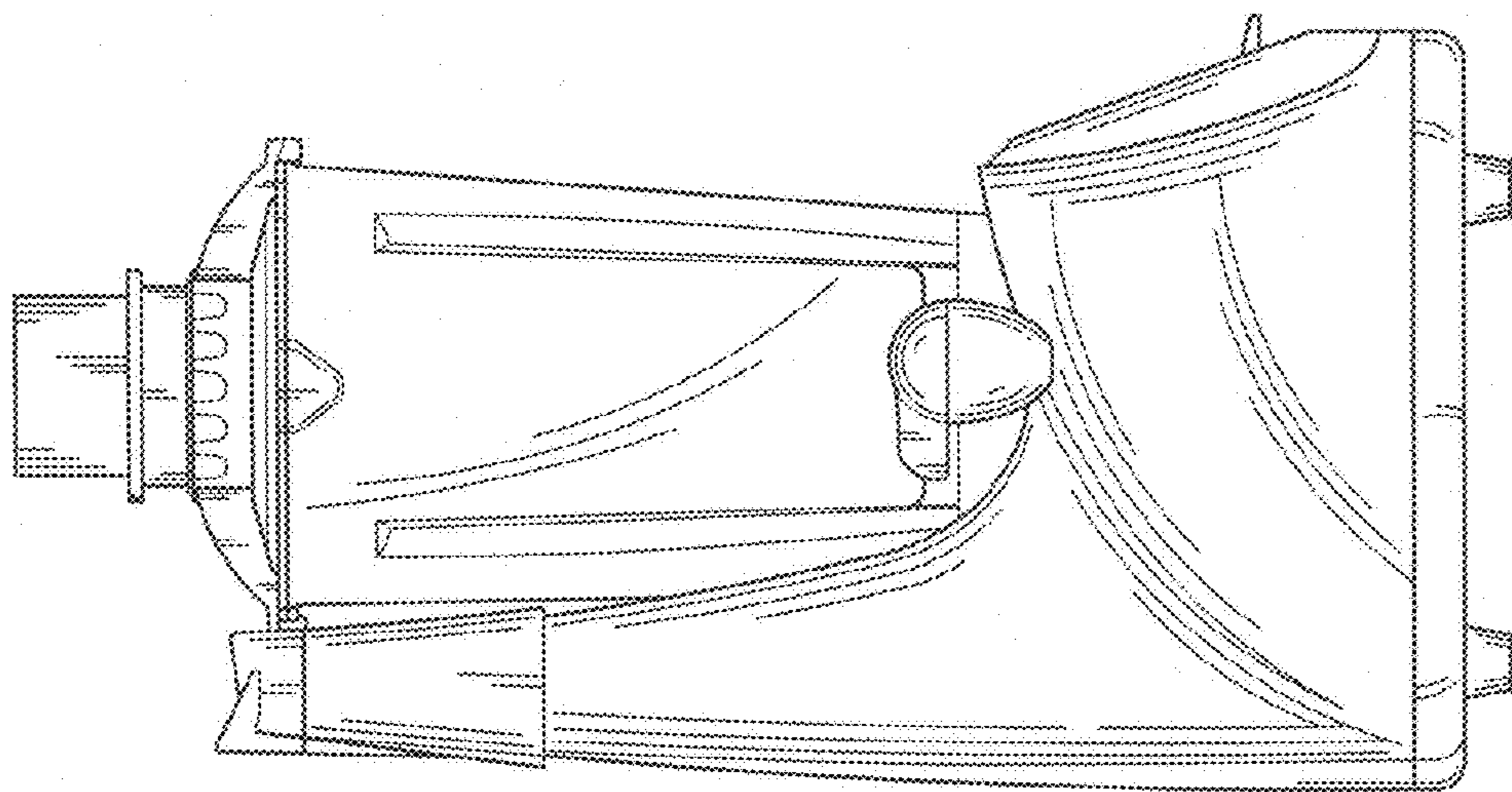


FIG.4

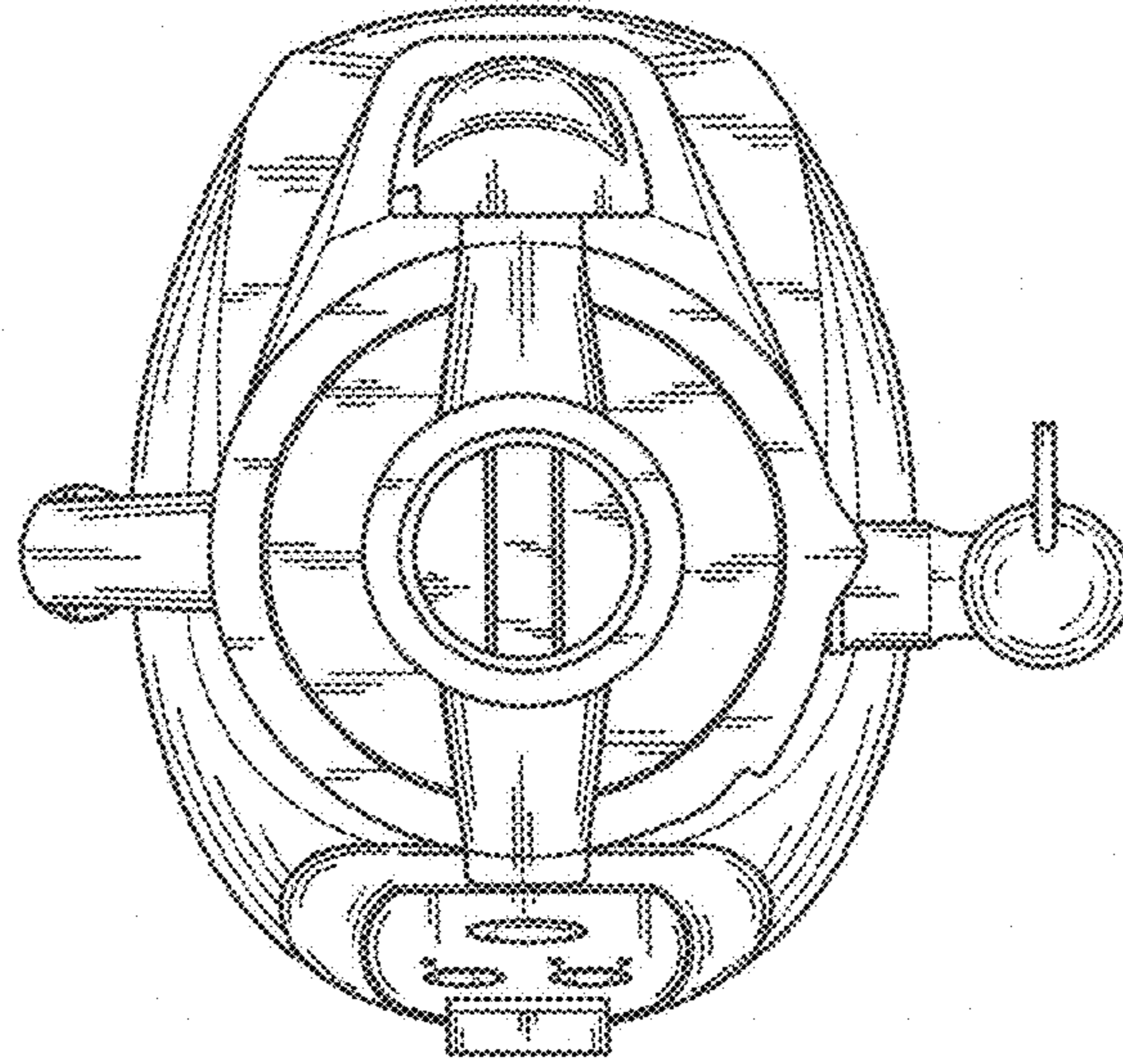


FIG. 6

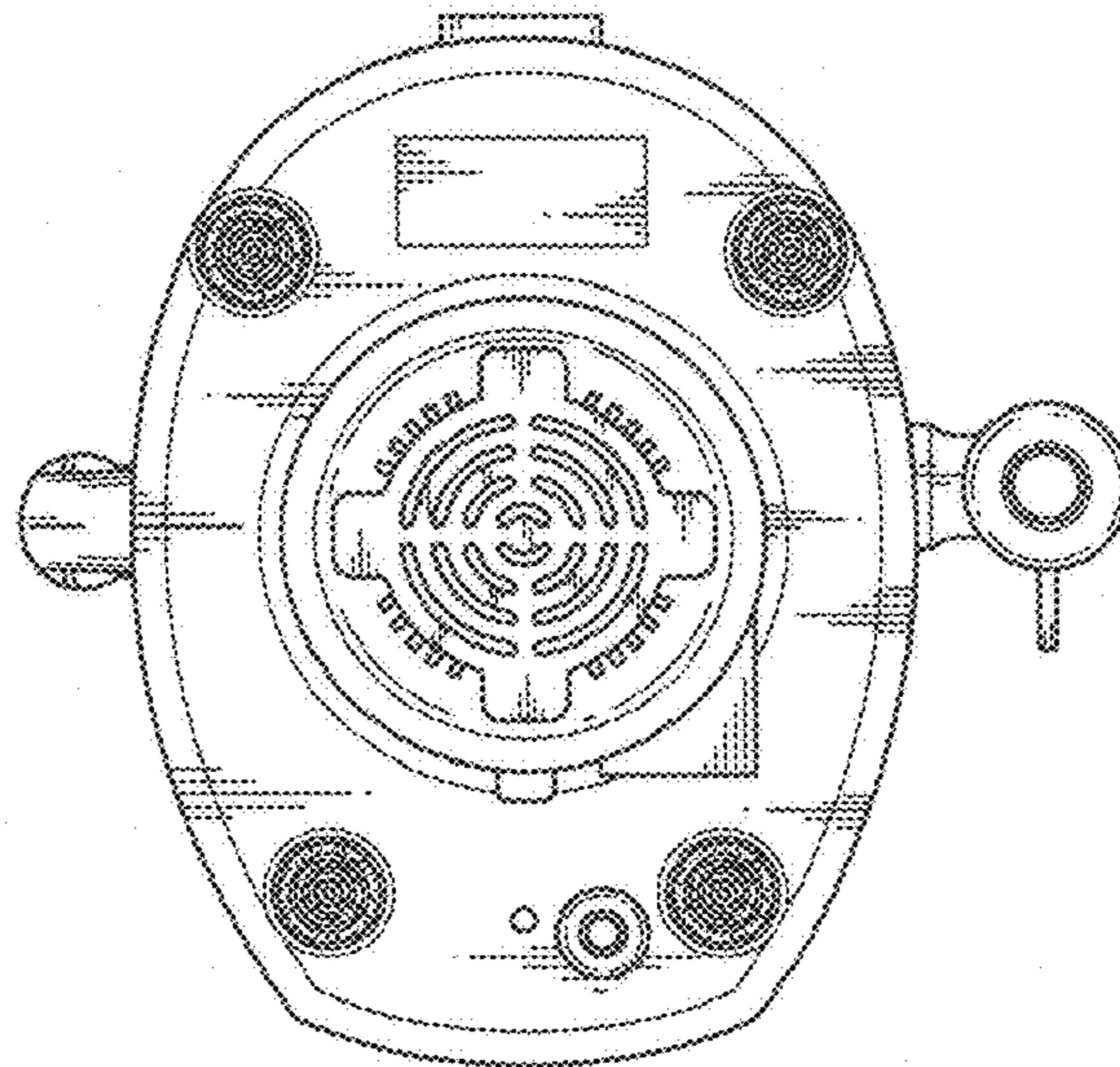


FIG. 7

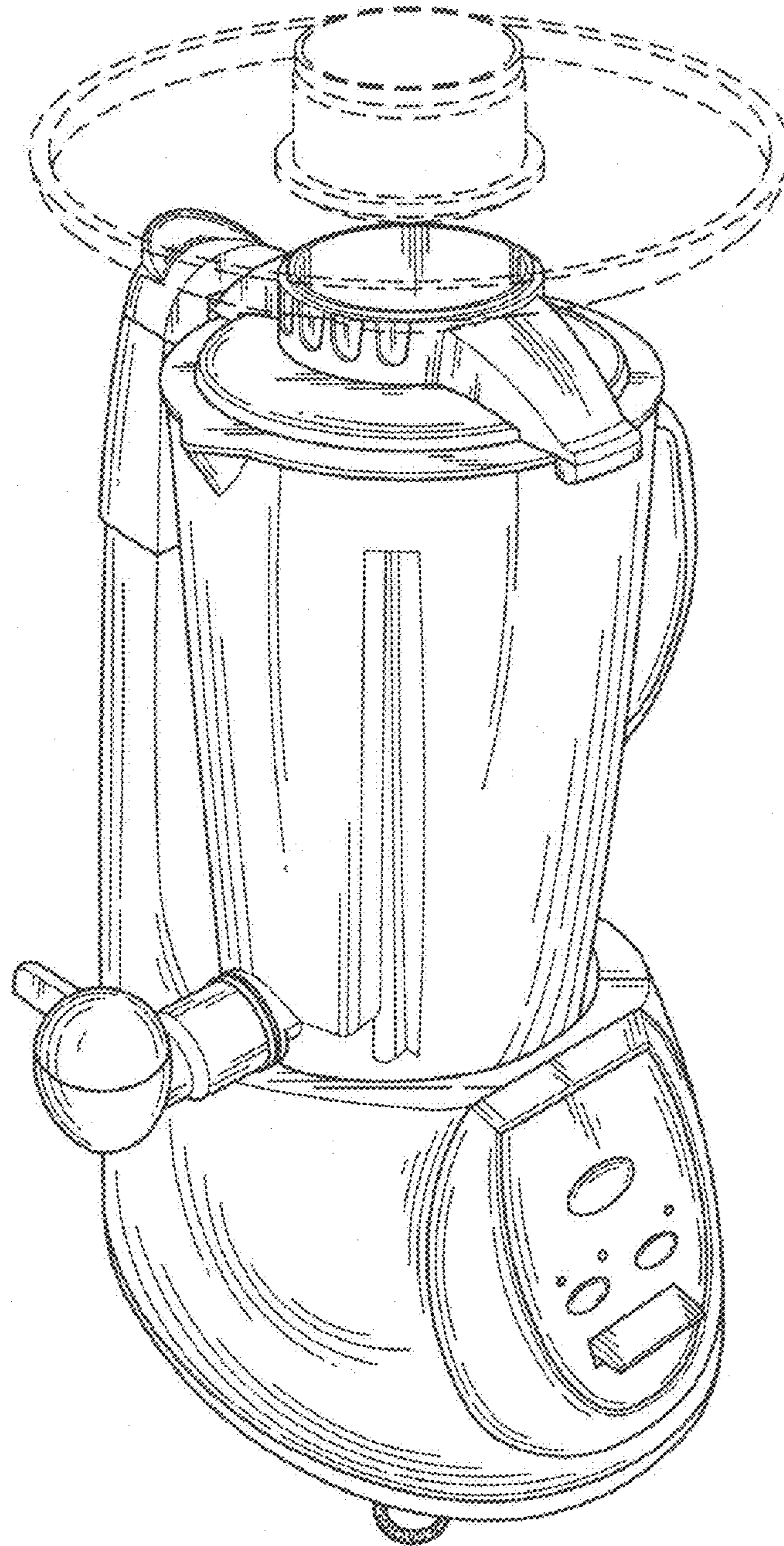


FIG. 8