



US00D551520S

(12) **United States Design Patent**
Everett et al.

(10) **Patent No.:** **US D551,520 S**

(45) **Date of Patent:** **** Sep. 25, 2007**

(54) **FORK**

(76) Inventors: **Stewart Neil Everett**, The Chapel Bell Lane, Poulton, Near Cirencester, Gloucestershire (GB) GL7 5JF; **Claire Clare**, 17 Ampney Crucis, Cirencester (GB) GL7 5RZ

(**) Term: **14 Years**

(21) Appl. No.: **29/265,993**

(22) Filed: **Sep. 12, 2006**

(51) **LOC (8) Cl.** **07-03**

(52) **U.S. Cl.** **D7/653**

(58) **Field of Classification Search** D7/368, D7/401.2, 642-664, 688-692, 669, 675, 676, D7/683; D8/107, 300-301; 30/123.3, 137, 30/141, 142, 340, 147-150, 322-329, 342-345
See application file for complete search history.

(56) **References Cited**

U.S. PATENT DOCUMENTS

- D236,419 S * 8/1975 Sebring D7/645
- D278,304 S * 4/1985 Laslo D7/664
- D294,324 S * 2/1988 Hahn D7/649
- D309,696 S * 8/1990 Callinan D7/649
- D309,850 S * 8/1990 Callinan D7/649

- D309,852 S * 8/1990 Callinan D7/649
- D323,957 S * 2/1992 Bouilhet D7/653
- D341,061 S * 11/1993 Thun D7/645
- D341,754 S * 11/1993 Marsten et al. D7/653
- D421,874 S * 3/2000 Freeman D7/401.2
- D422,183 S * 4/2000 Ancona et al. D7/649
- D429,951 S * 8/2000 Kerman D7/401.2
- D468,974 S * 1/2003 Freeman et al. D7/653

* cited by examiner

Primary Examiner—Cathron C. Brooks

Assistant Examiner—Ricky Pham

(74) *Attorney, Agent, or Firm*—King & Schickli, PLLC

(57) **CLAIM**

The ornamental design for the fork, as shown.

DESCRIPTION

FIG. 1 is a top view of a fork showing our new design;

FIG. 2 is a bottom view thereof;

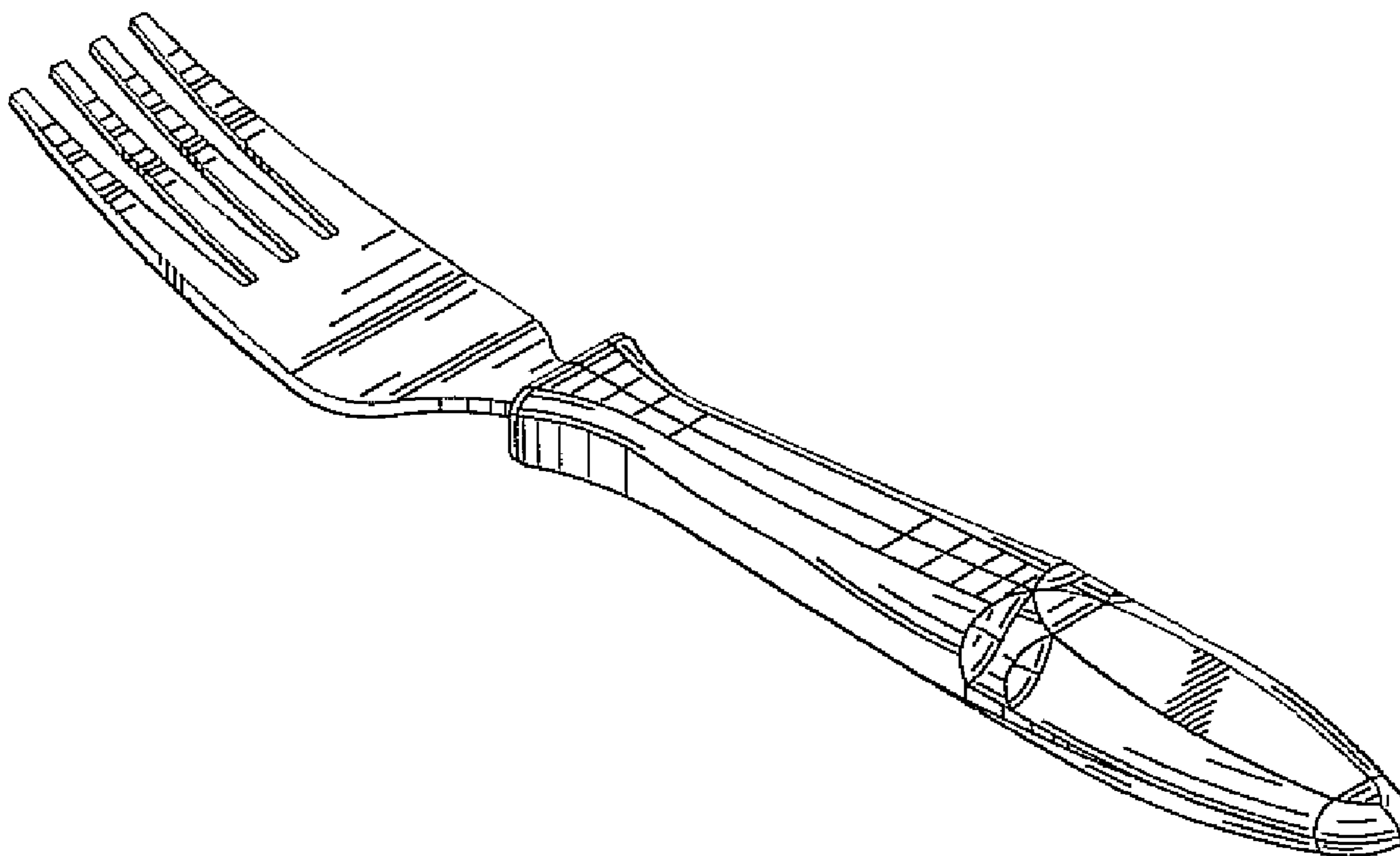
FIG. 3 is a side view thereof;

FIG. 4 is a front end view thereof;

FIG. 5 is a rear end view thereof; and,

FIG. 6 is a general perspective view thereof.

1 Claim, 2 Drawing Sheets



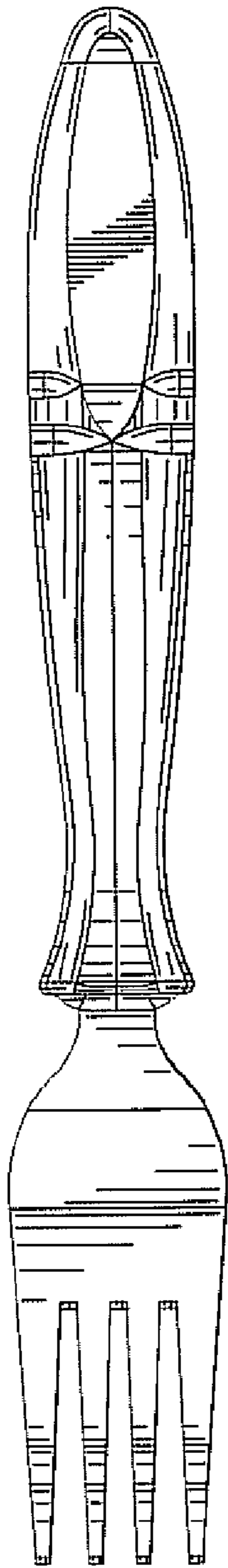


FIG. 1

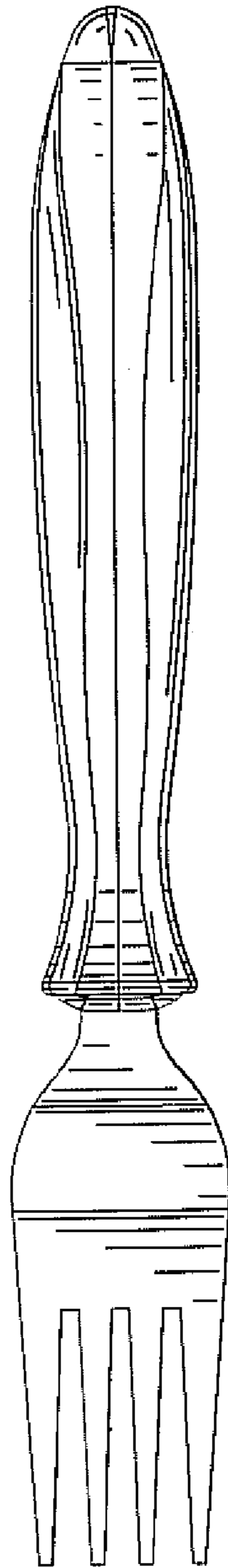


FIG. 2



FIG. 3

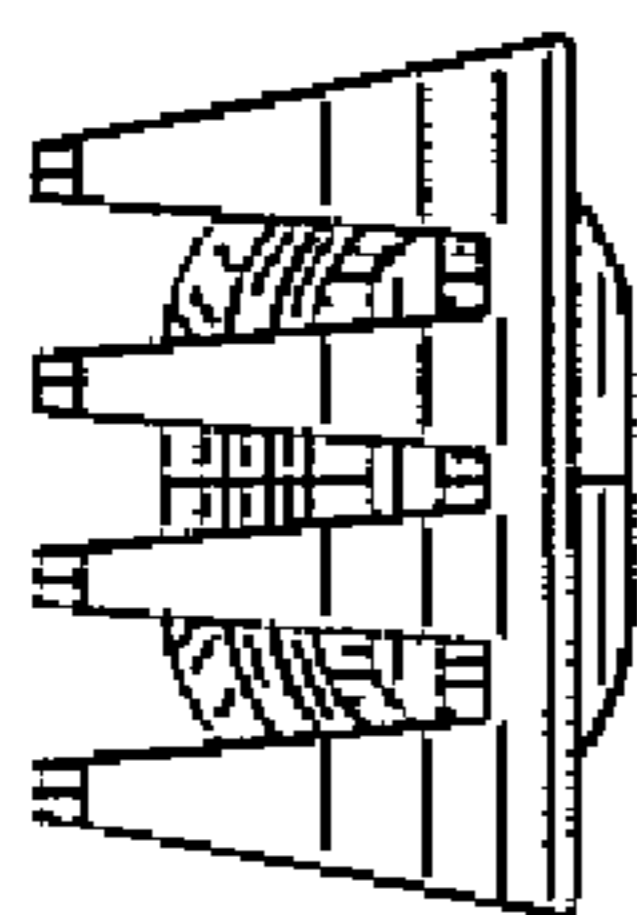


FIG. 4

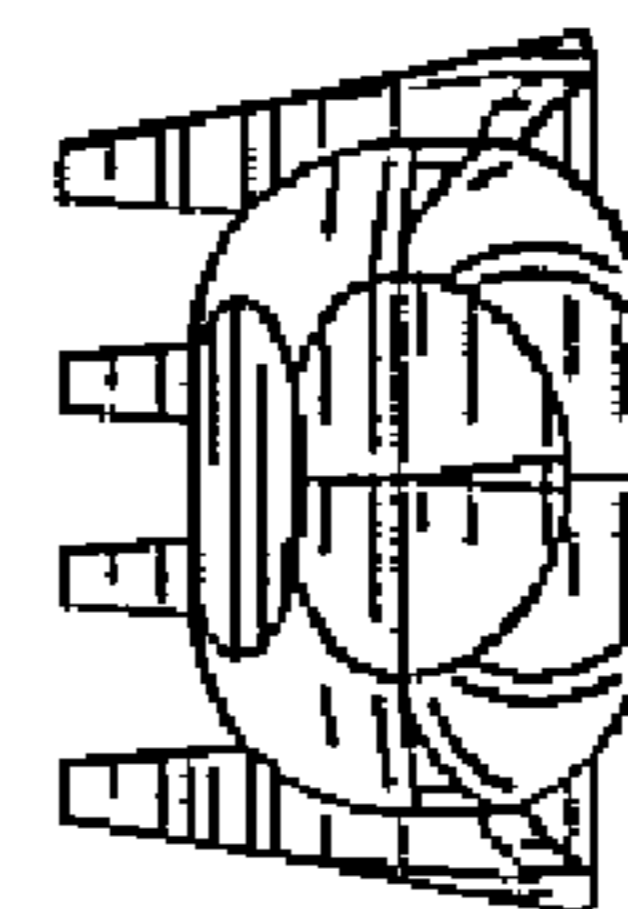


FIG. 5

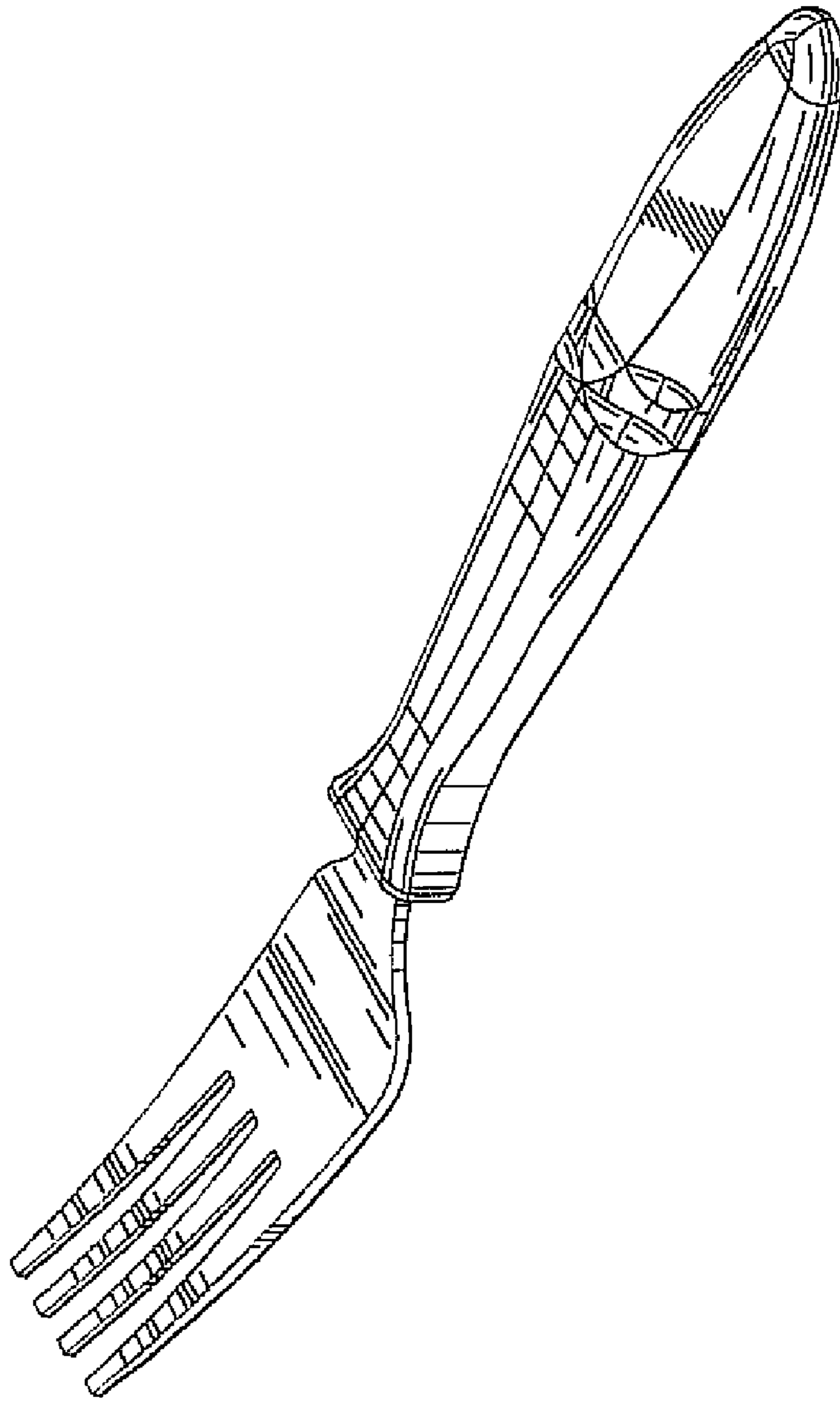


FIG. 6