



US00D551512S

(12) **United States Design Patent**
Krieger et al.

(10) **Patent No.:** **US D551,512 S**

(45) **Date of Patent:** **** Sep. 25, 2007**

(54) **TRAVEL COOLER AND WARMER**

OTHER PUBLICATIONS

(75) Inventors: **Michael Krieger**, Miami Beach, FL (US); **Kevin Ellsworth**, Alva, FL (US)

U.S. Appl. No. 29/228,569, filed Apr. 26, 2005.

U.S. Appl. No. 29/228,572, filed Apr. 26, 2005.

U.S. Appl. No. 29/228,752, filed Apr. 28, 2005.

U.S. Appl. No. 29/228,757, filed Apr. 28, 2005.

(73) Assignee: **Vector Products, Inc.**, Plantation, FL (US)

* cited by examiner

(**) Term: **14 Years**

Primary Examiner—Terry A. Wallace

(21) Appl. No.: **29/228,571**

(74) *Attorney, Agent, or Firm*—Venable LLP; Robert Kinberg

(22) Filed: **Apr. 26, 2005**

(57) **CLAIM**

(51) **LOC (8) Cl.** **07-01**

The ornamental design for a travel cooler and warmer, as shown and described.

(52) **U.S. Cl.** **D7/605**

(58) **Field of Classification Search** D7/605–608, D7/709, 710; D15/81; 62/457.1–457.7, 62/371, 372, 3.62, 3.64; 220/592.16, 592.17, 220/592.2, 592.23–592.27, 915.1, 915.2; D12/423, 424

See application file for complete search history.

DESCRIPTION

FIG. 1 is a perspective view from the front-top-right side of the travel cooler and warmer showing our new design;

FIG. 2 is a front view of the design shown in FIG. 1;

FIG. 3 is a rear view of the design shown in FIG. 1;

FIG. 4 is a left side view of the design shown in FIG. 1;

FIG. 5 is a right side view of the design shown in FIG. 1;

FIG. 6 is a top view of the design shown in FIG. 1; and,

FIG. 7 is a bottom view of the design shown in FIG. 1.

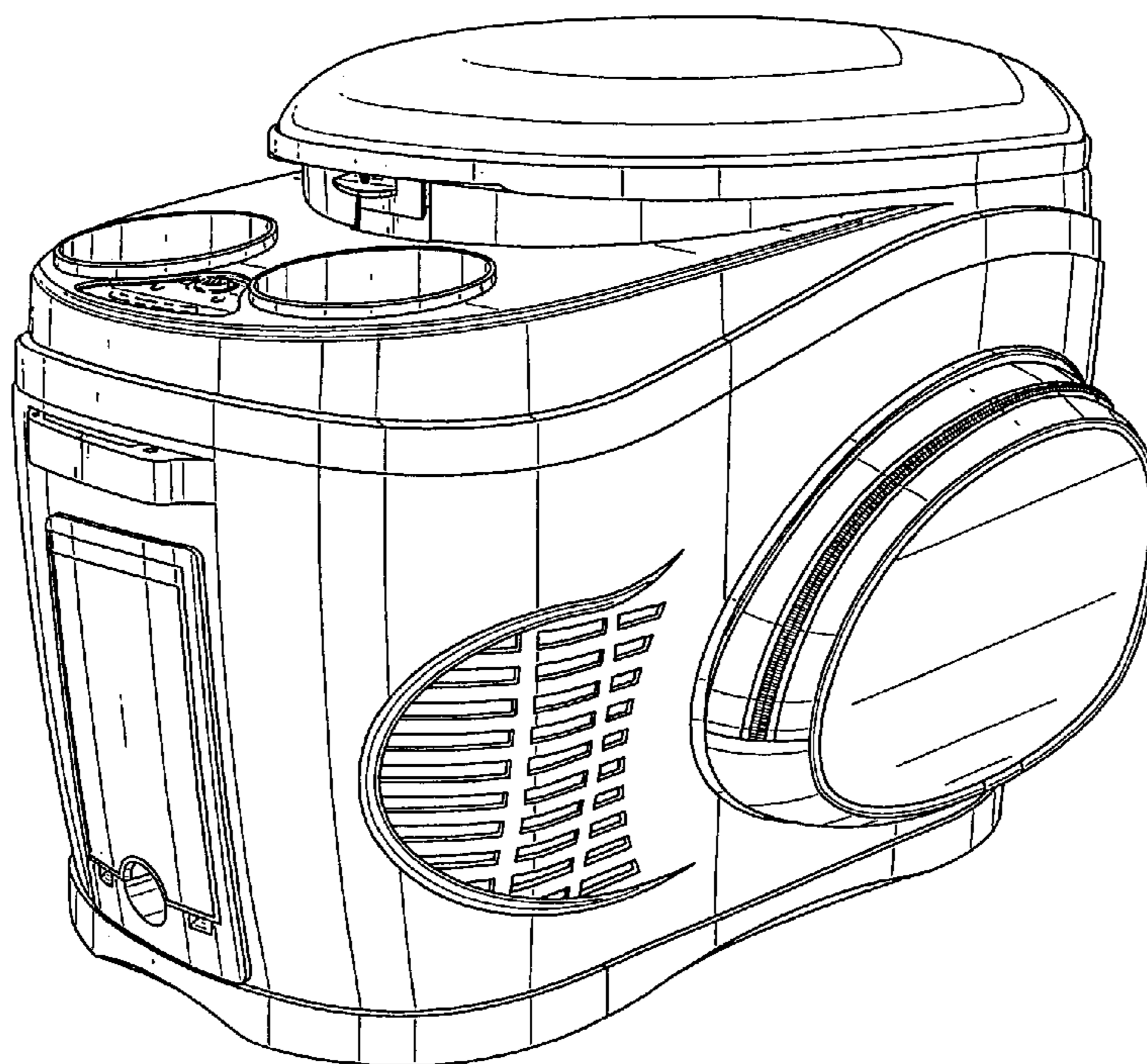
The broken lines immediately adjacent the shaded areas represent the bounds of the claimed design while all other broken lines are for illustrative purposes only; the broken lines form no part of the claimed design.

(56) **References Cited**

U.S. PATENT DOCUMENTS

4,274,262	A *	6/1981	Reed et al.	62/3.64
D400,053	S *	10/1998	Coffee et al.	D7/605
D417,126	S *	11/1999	Arnfelt	D7/605
D459,636	S *	7/2002	Krieger et al.	D7/605
D462,878	S *	9/2002	Krieger	D7/605
D463,717	S *	10/2002	Krieger	D7/605
D467,468	S *	12/2002	Krieger et al.	D7/605
D480,274	S *	10/2003	Yuen	D7/605
D480,275	S *	10/2003	Yuen	D7/605

1 Claim, 7 Drawing Sheets



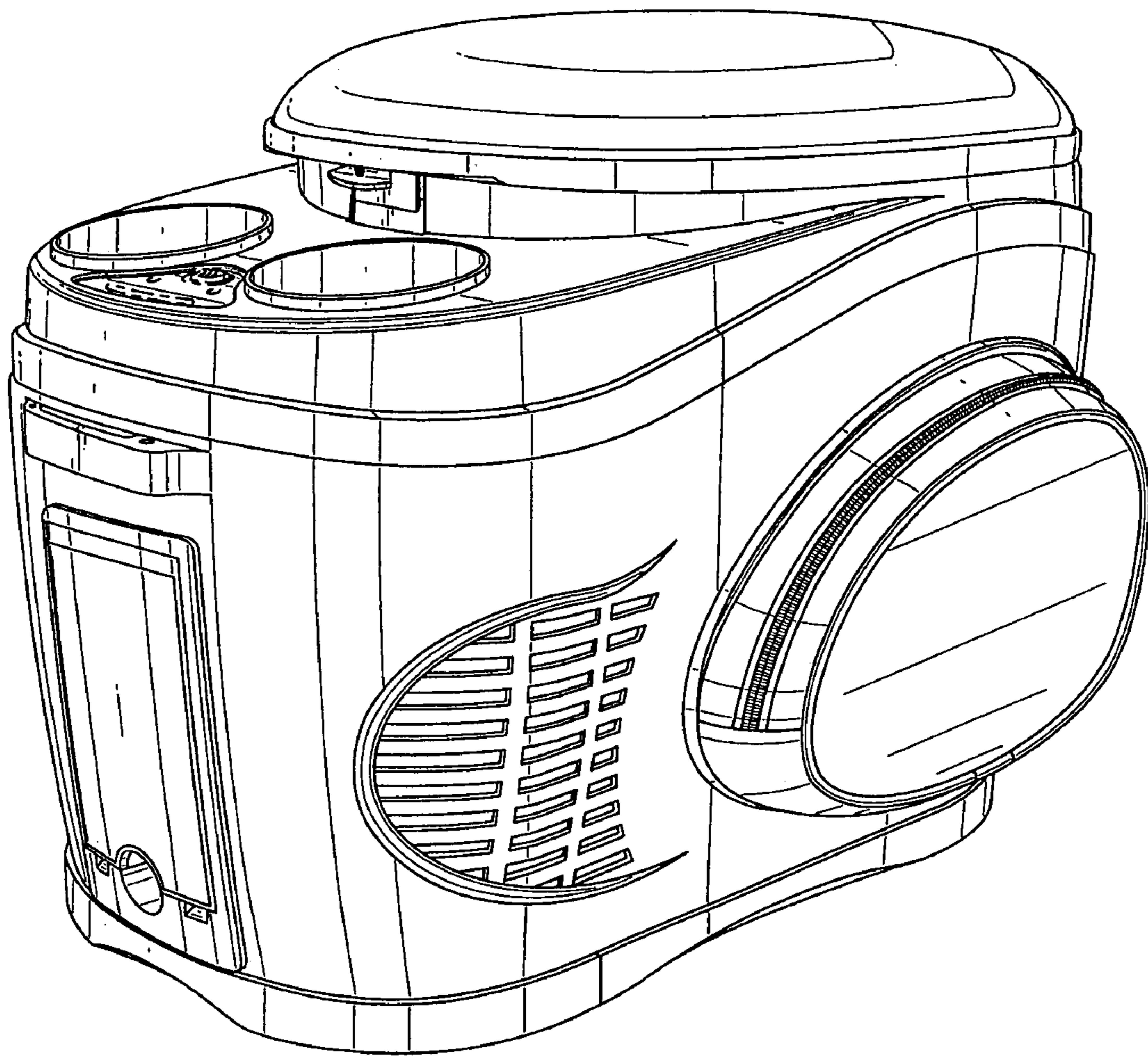


FIG. 1

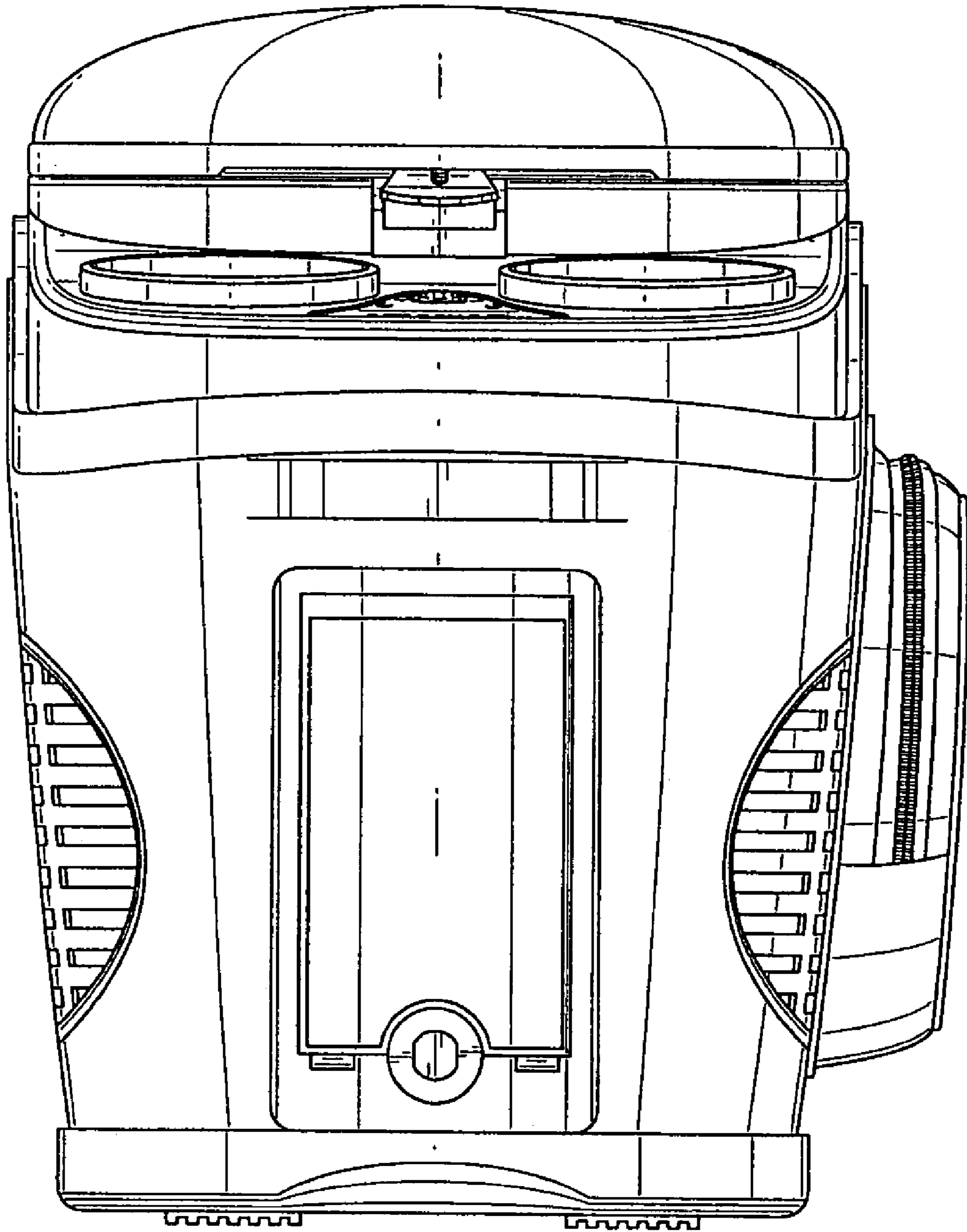


FIG. 2

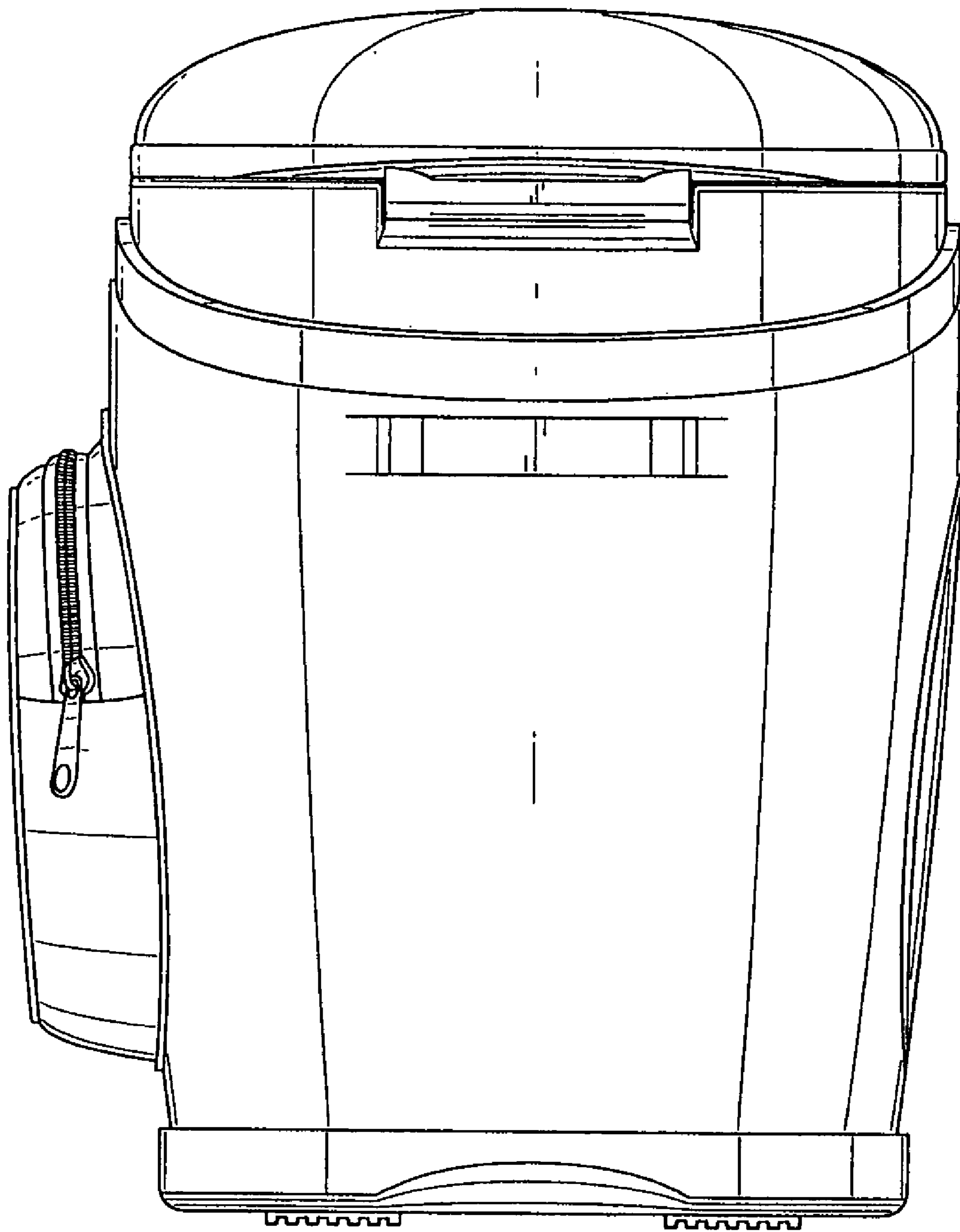


FIG. 3

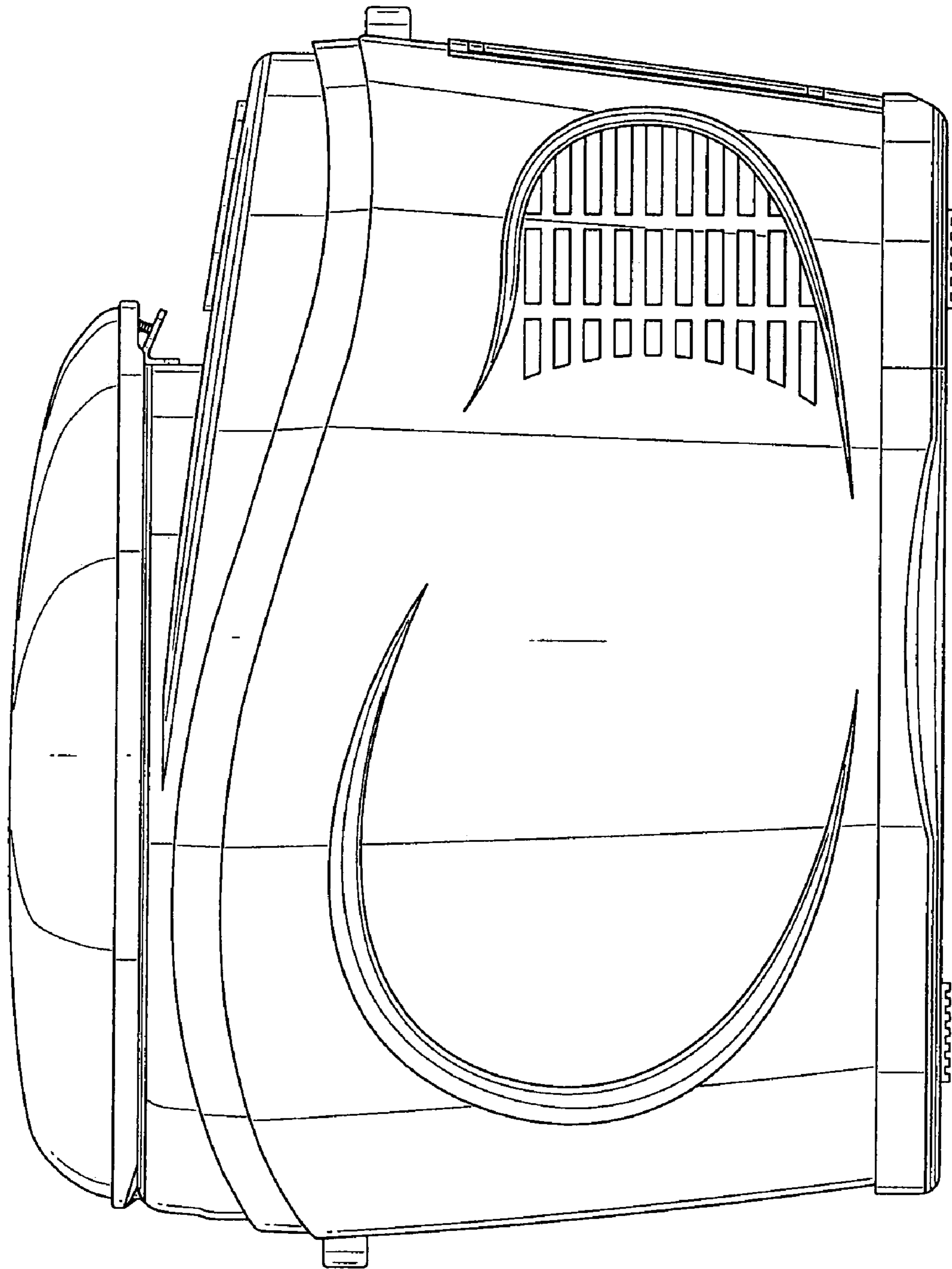


FIG. 4

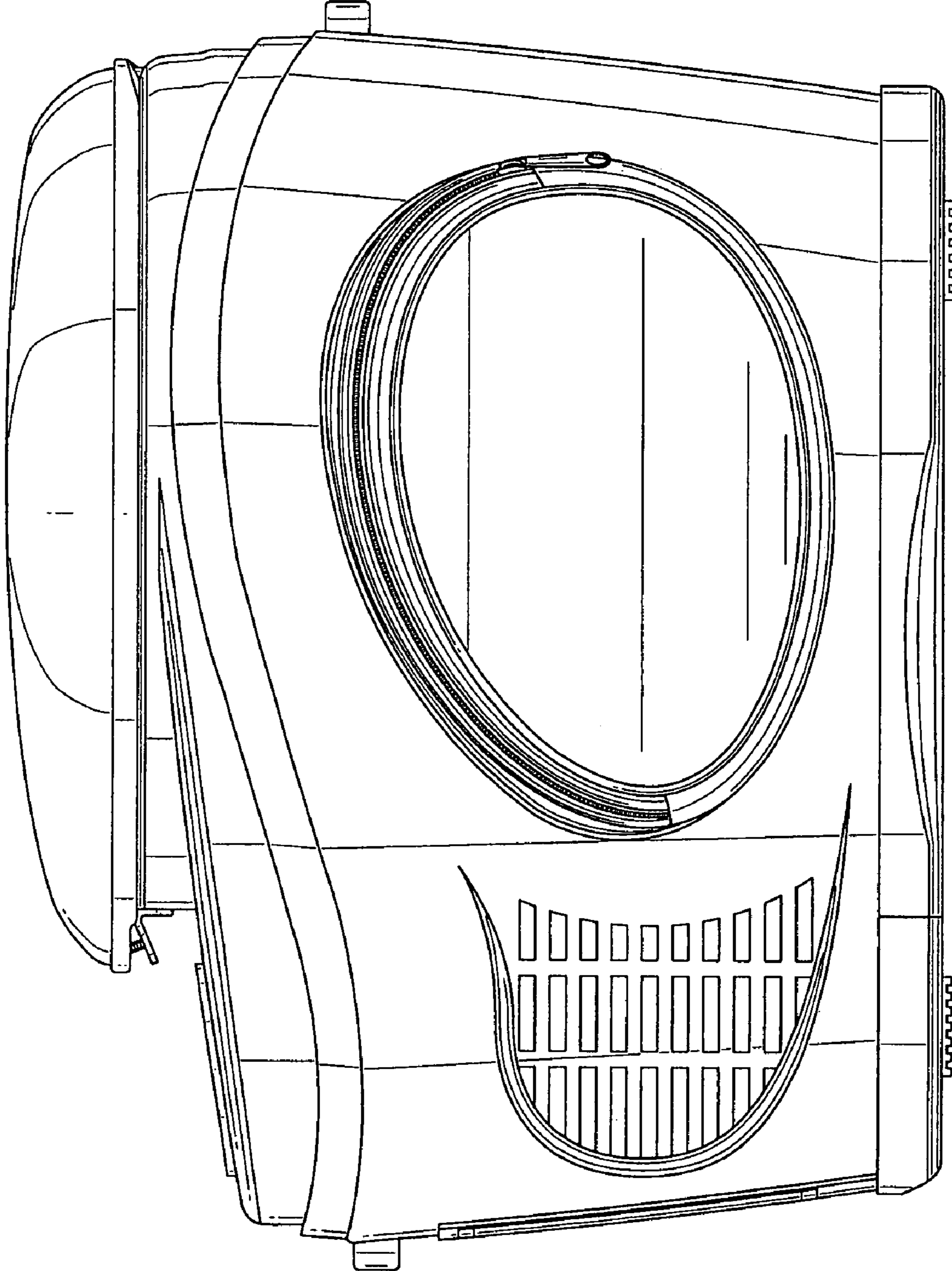


FIG. 5

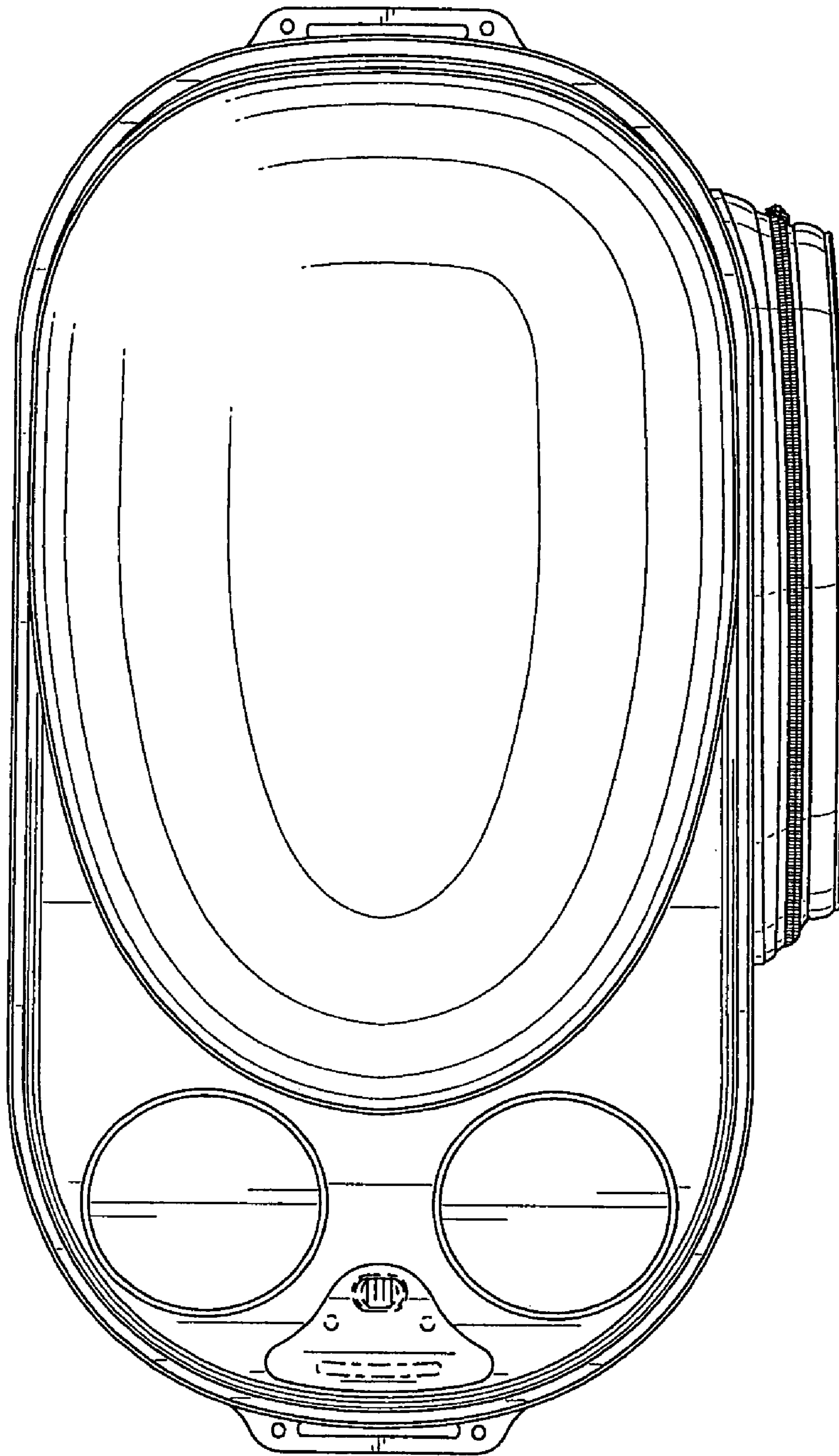


FIG. 6

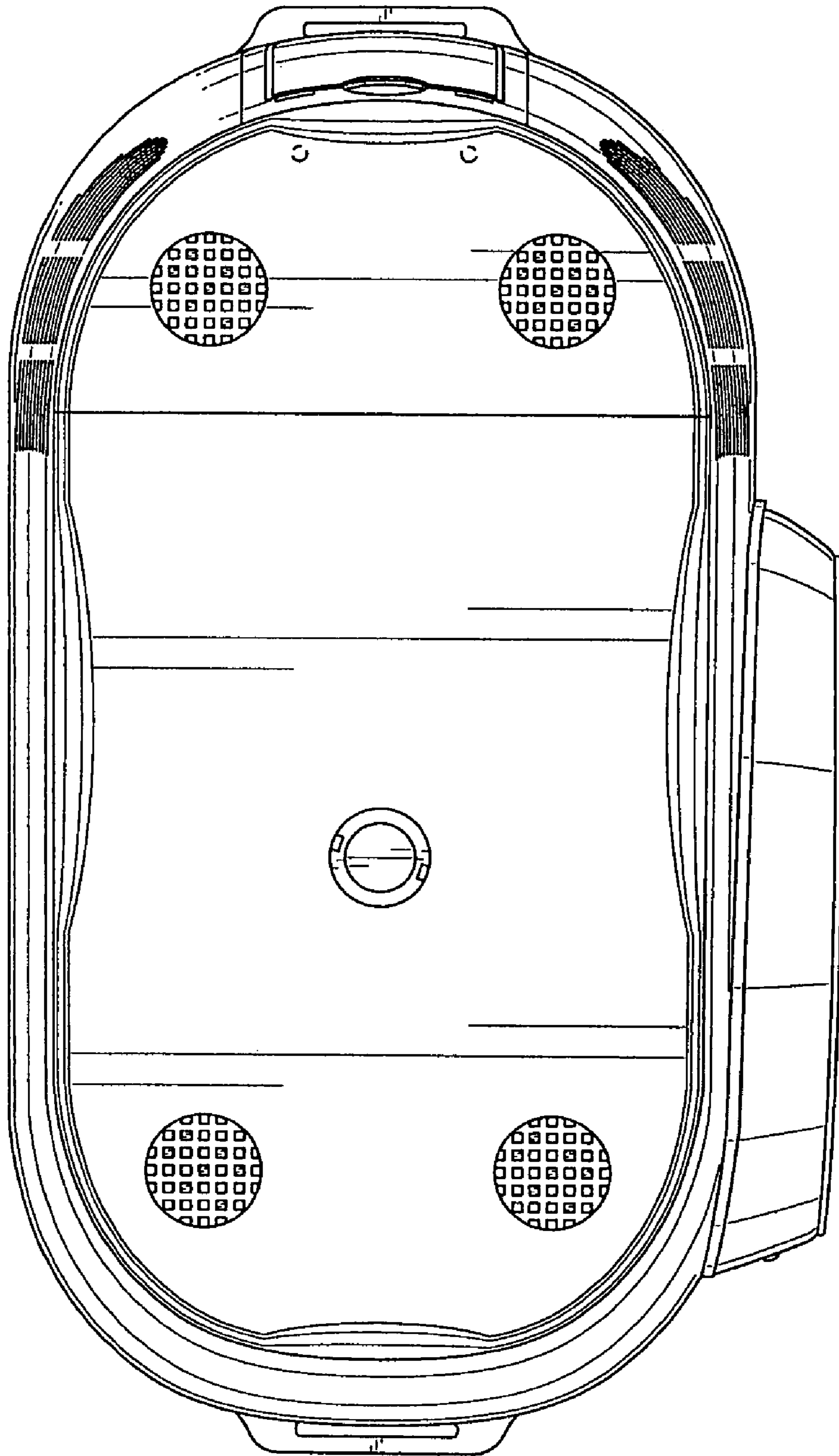


FIG. 7