

US00D551503S

(12) **United States Design Patent** (10) **Patent No.:** **US D551,503 S**
Bouie (45) **Date of Patent:** **** Sep. 25, 2007**

- (54) **CUP**
- (75) Inventor: **Tony Bouie**, Anthem, AZ (US)
- (73) Assignee: **Halo Cups, Inc.**, Anthem, AZ (US)
- (**) Term: **14 Years**
- (21) Appl. No.: **29/267,169**
- (22) Filed: **Oct. 6, 2006**

5,897,010 A	4/1999	Soyka	
6,047,852 A	4/2000	Evans	
6,176,420 B1	1/2001	Sarson	
D461,098 S *	8/2002	Lin	D7/536
D474,367 S *	5/2003	Turchi et al.	D7/316
D477,183 S *	7/2003	Janky	D7/509
D480,601 S *	10/2003	Pettaweebuncha	D7/513
6,688,469 B1	2/2004	Barnes	
D507,458 S *	7/2005	Allen et al.	D7/532
D507,932 S *	8/2005	Cintron et al.	D7/396.6
D514,884 S *	2/2006	Smith et al.	D7/509
D523,692 S *	6/2006	Meehan	D7/507
D529,761 S *	10/2006	Trombly	D7/509
D530,569 S *	10/2006	Hsu	D7/509
D530,980 S *	10/2006	Zerillo et al.	D7/509
D531,854 S *	11/2006	Bresler	D7/396.6
D533,748 S *	12/2006	Bresler	D7/523
D537,677 S *	3/2007	Bresler	D7/523

Related U.S. Application Data

- (63) Continuation-in-part of application No. 11/442,020, filed on May 25, 2006, which is a continuation-in-part of application No. 11/297,959, filed on Dec. 8, 2005, which is a continuation-in-part of application No. 10/763,520, filed on Jan. 23, 2004, now abandoned.

- (51) **LOC (8) Cl.** **07-01**
- (52) **U.S. Cl.** **D7/509**
- (58) **Field of Classification Search** D7/509-511, D7/536, 533, 529, 530, 532, 531, 523, 396.6; 220/713, 715, 737, 739, 711, 592.16, 592.17, 220/23.86; 215/387, DIG. 7; 366/314
See application file for complete search history.

* cited by examiner

Primary Examiner—M. N. Pandozzi
(74) *Attorney, Agent, or Firm*—Brennan Swain

(57) **CLAIM**

The ornamental design for a cup, as shown and described.

DESCRIPTION

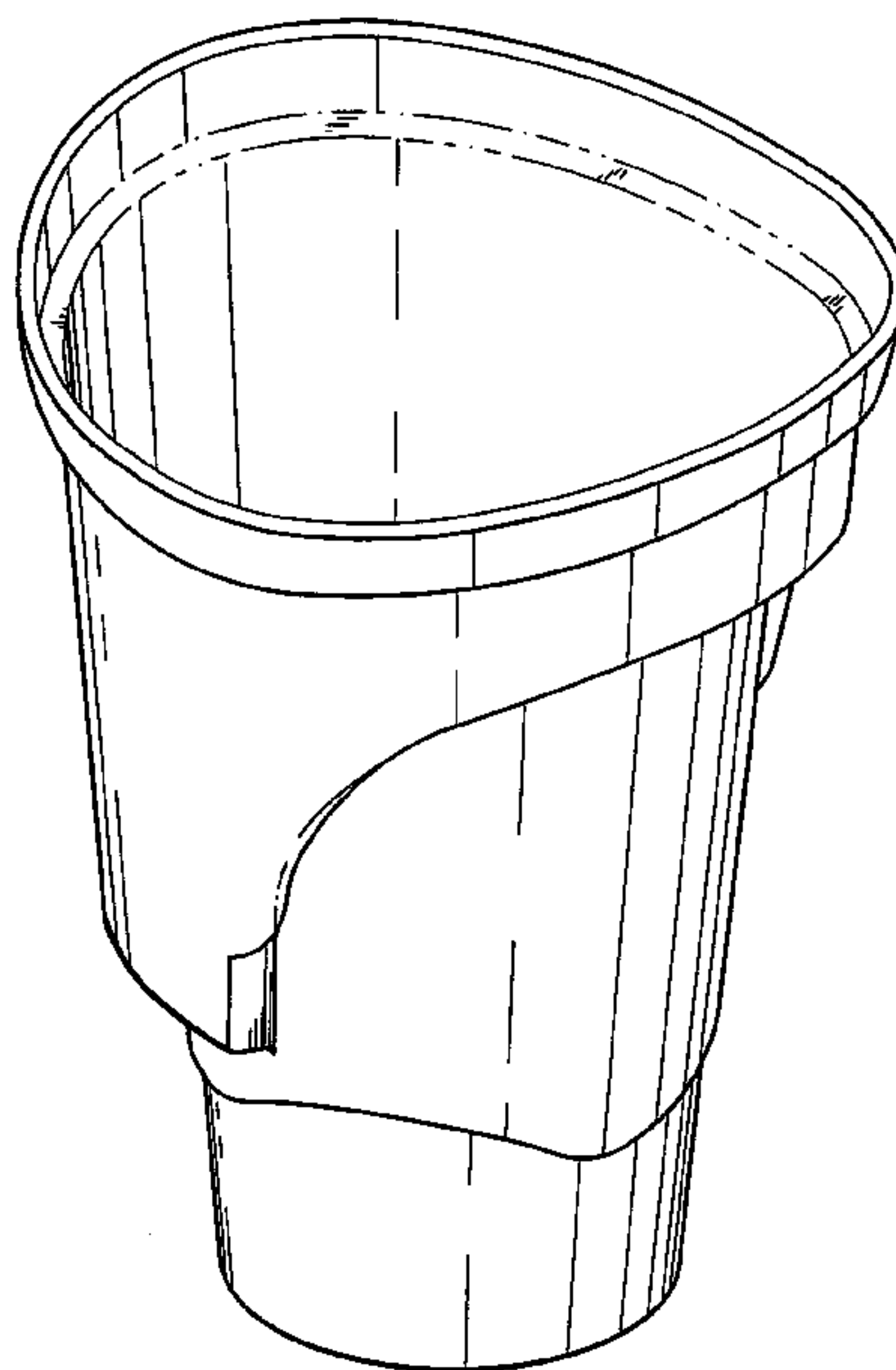
FIG. 1 is a perspective view of the cup in accordance with an embodiment of the present invention;
 FIG. 2 is a front elevational view of the cup of FIG. 1,
 FIG. 3 is a rear elevational view of the cup of FIG. 1;
 FIG. 4 is a left side elevational view of the cup of FIG. 1, the right side elevational view being a mirror image thereof;
 FIG. 5 is a top plan view of the cup of FIG. 1; and,
 FIG. 6 is a bottom plan view of the cup of FIG. 1.

1 Claim, 6 Drawing Sheets

(56) **References Cited**

U.S. PATENT DOCUMENTS

3,810,470 A *	5/1974	Von Gunten	604/78
3,900,106 A *	8/1975	Cantales	206/519
D240,285 S *	6/1976	Sarpaneva	D7/509
4,420,092 A	12/1983	Finkelstein	
5,050,759 A	9/1991	Marble	
5,244,106 A	9/1993	Takacs	
5,407,098 A	4/1995	Tomer	
5,460,264 A	10/1995	Rupert	
5,605,241 A	2/1997	Imperiloli	
D389,700 S *	1/1998	Bingham	D7/509



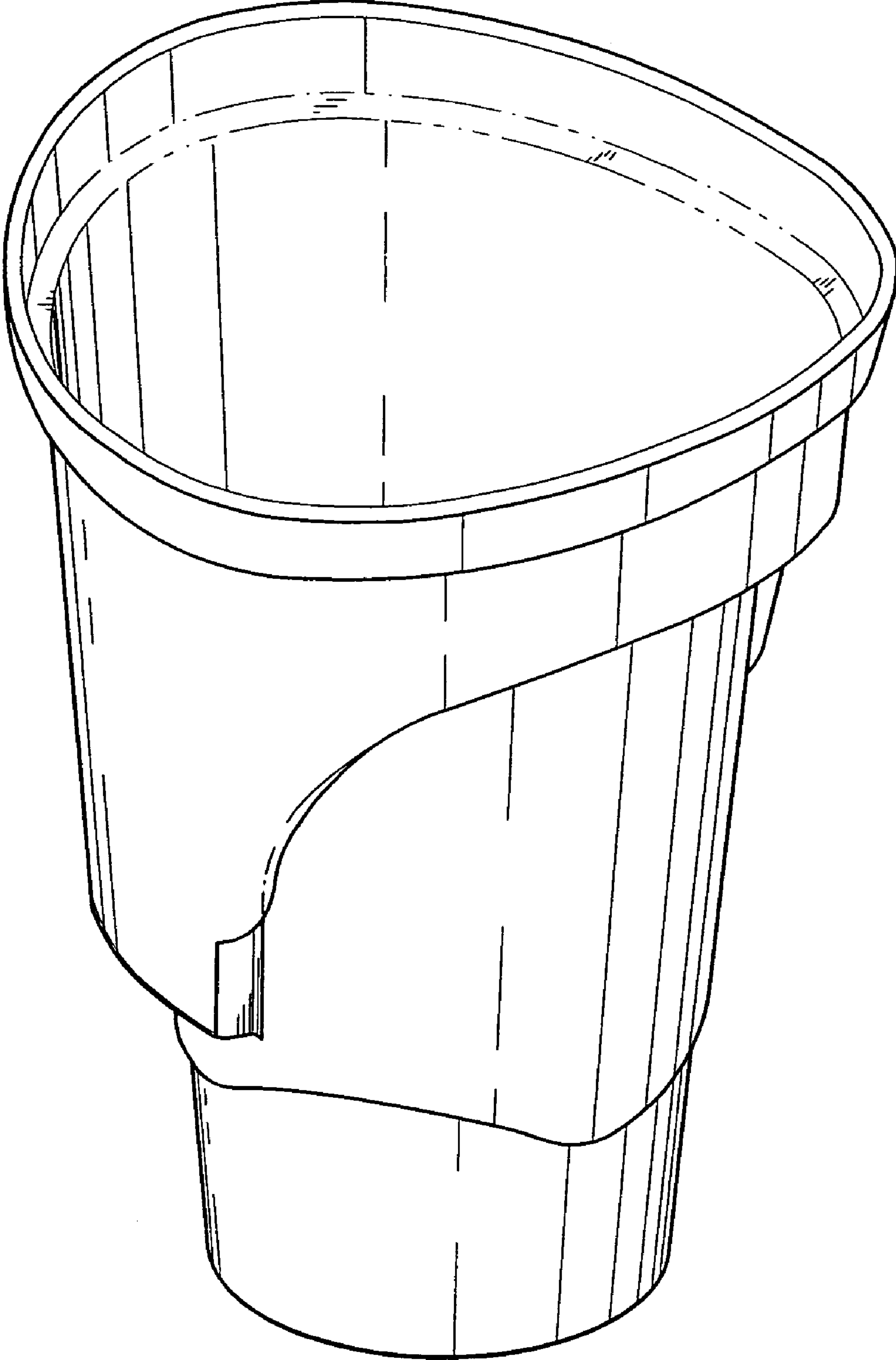


FIG. 1

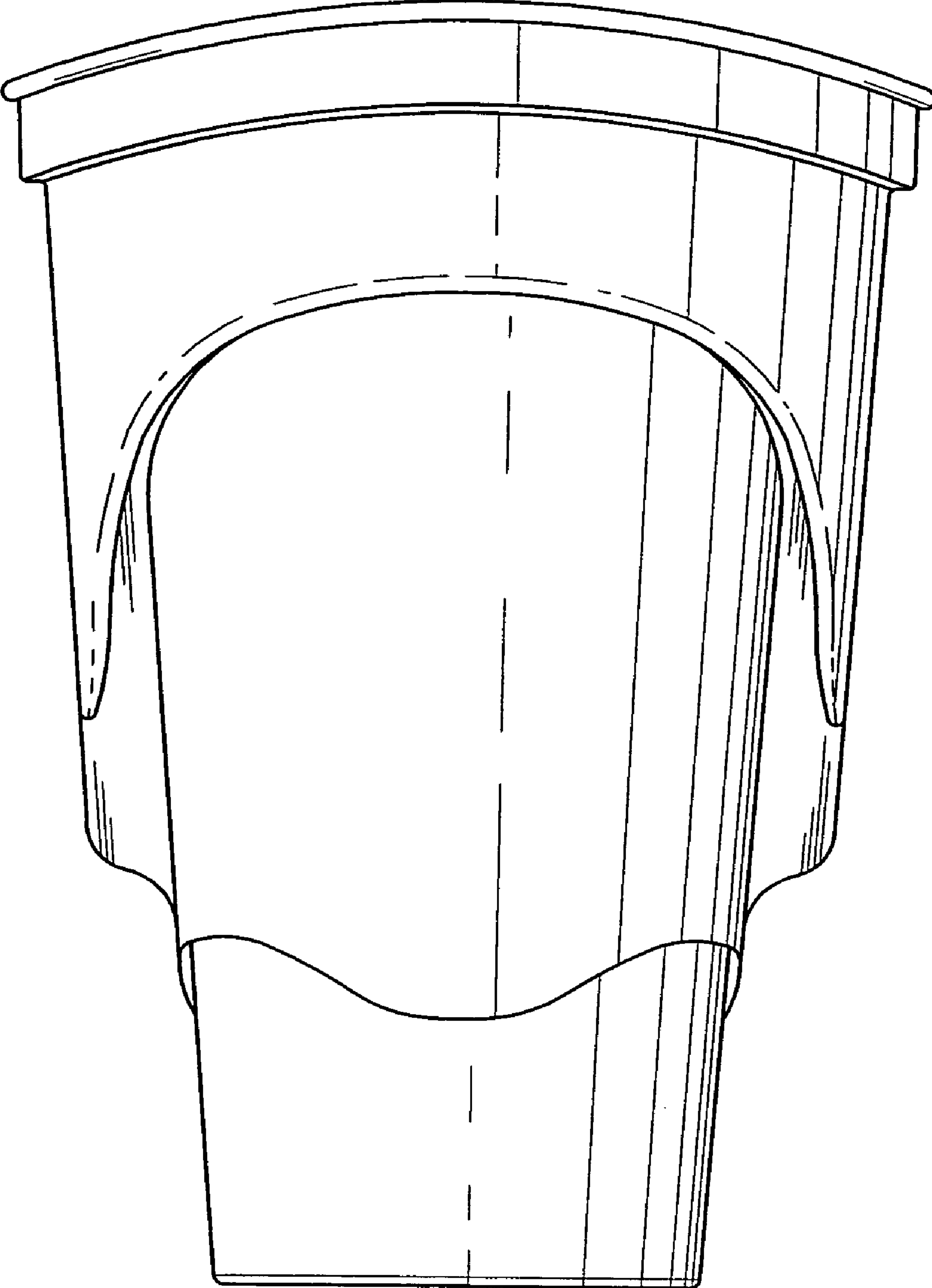


FIG. 2

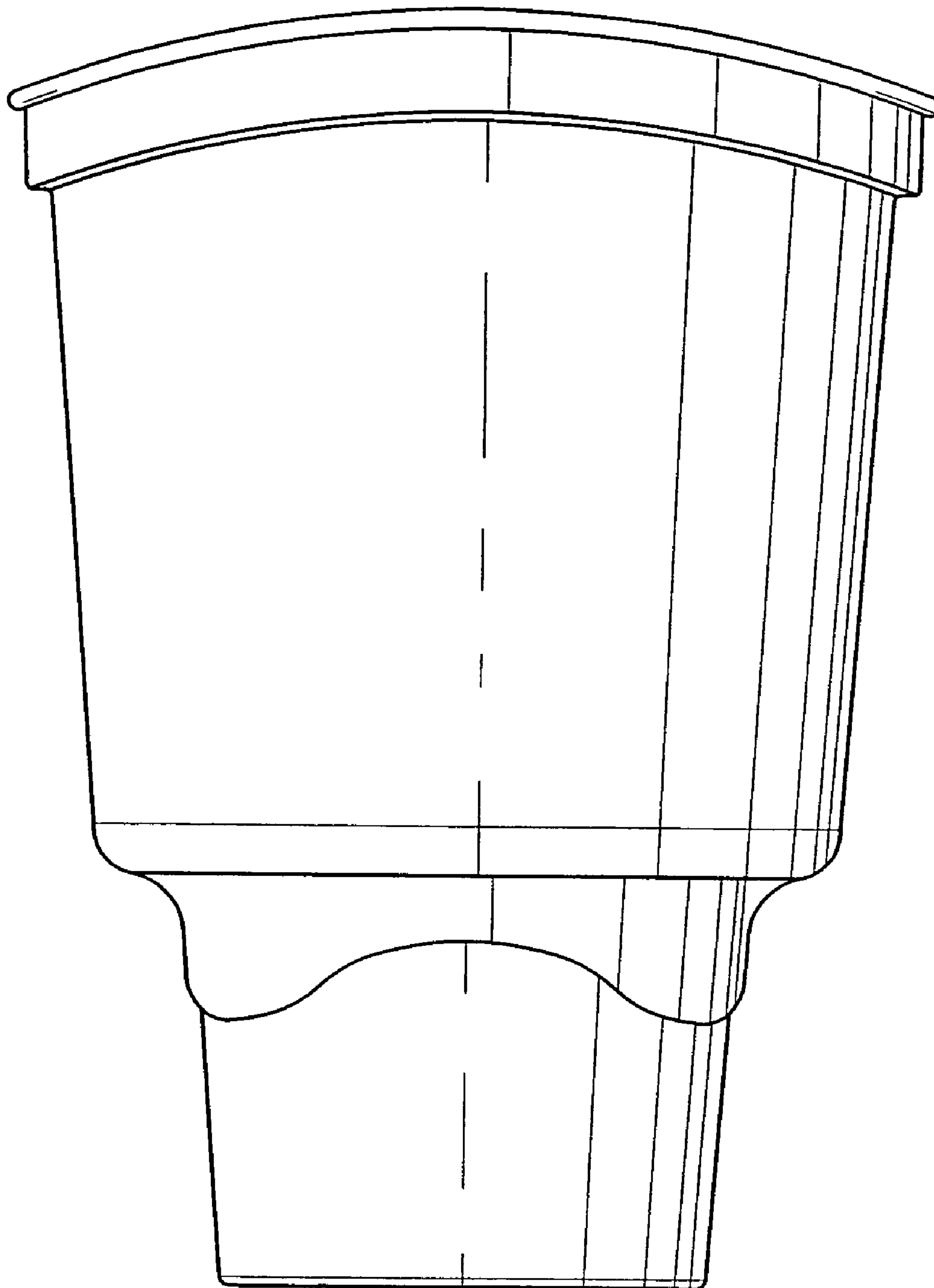


FIG. 3

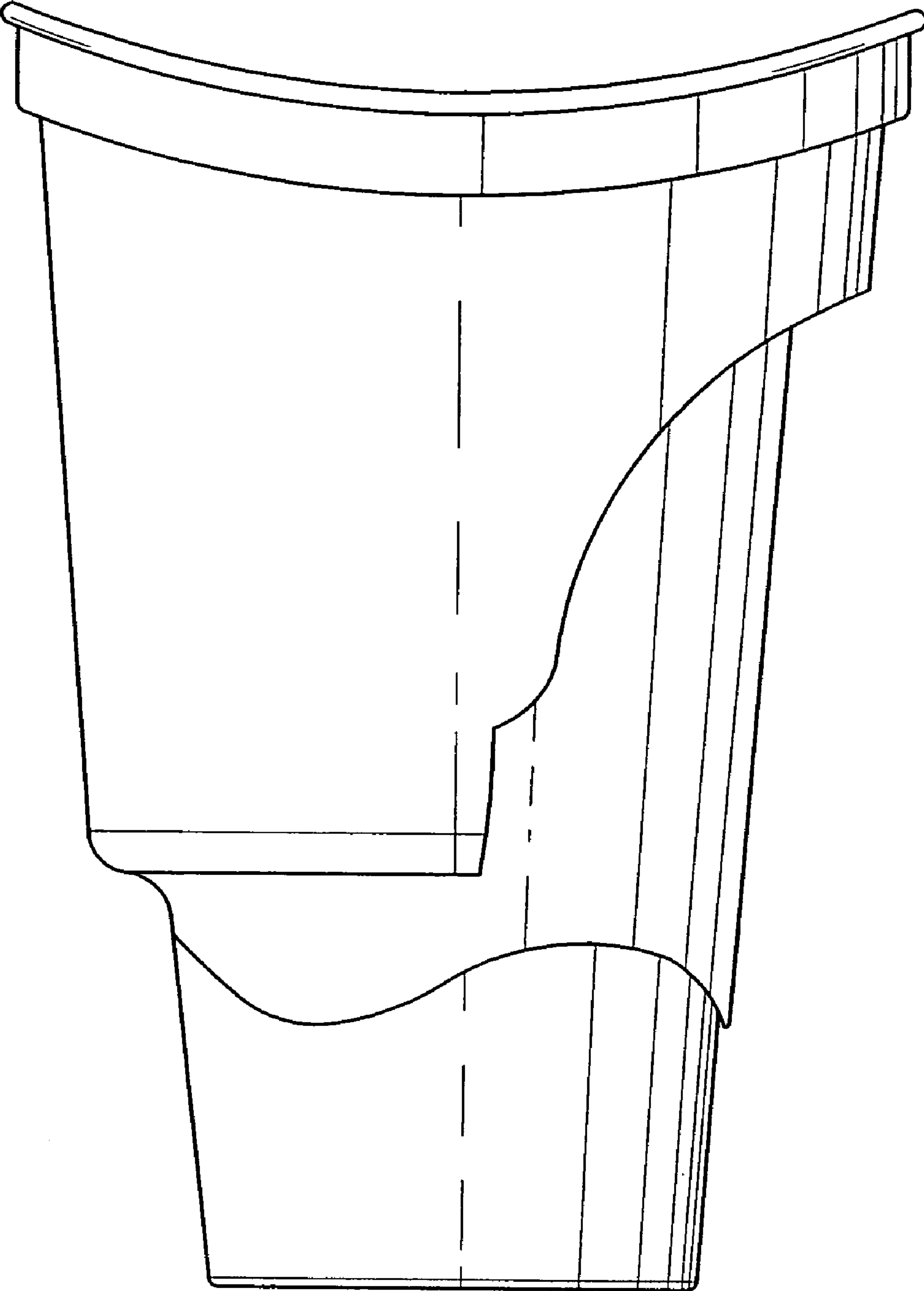


FIG. 4

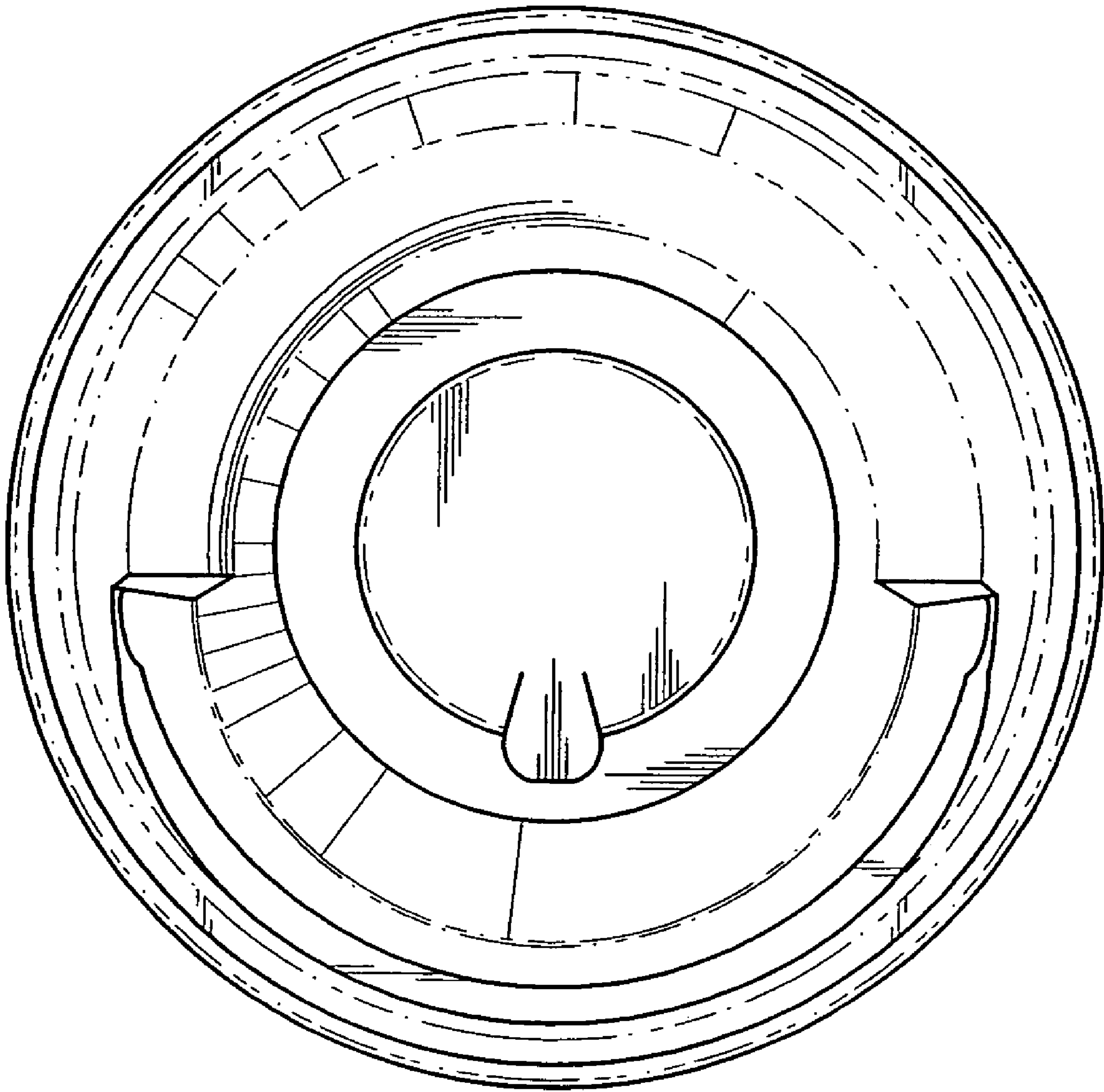


FIG. 5

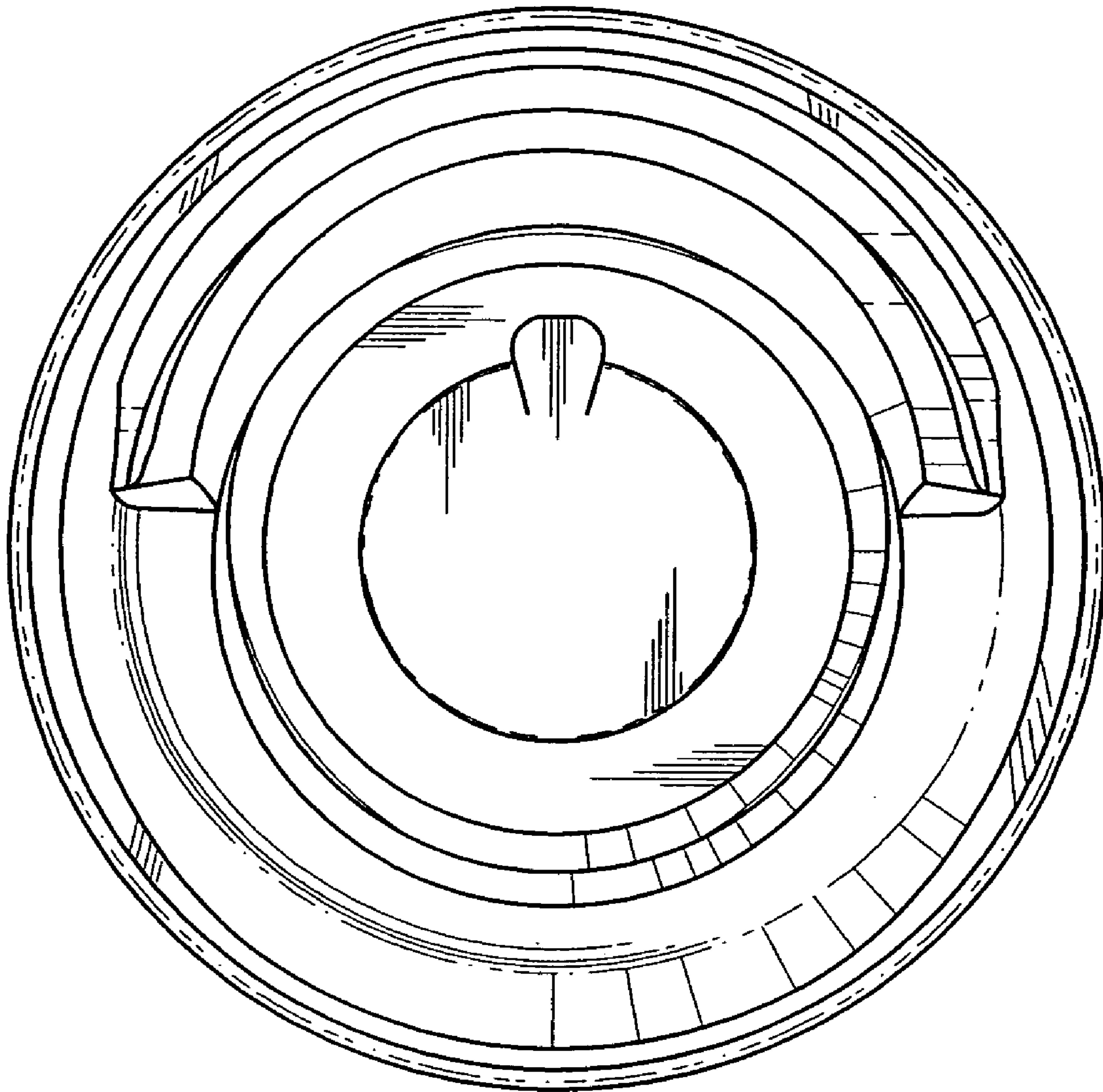


FIG. 6