

US00D551493S

(12) **United States Design Patent**
Marcato

(10) **Patent No.:** **US D551,493 S**

(45) **Date of Patent:** **** Sep. 25, 2007**

(54) **PASTA MAKER WITH ACCESSORIES**

(75) Inventor: **Pietro Marcato**, Campodarsego (IT)

(73) Assignee: **Marcato S.p.A.**, Campodarsego, Padua (IT)

(**) Term: **14 Years**

(21) Appl. No.: **29/266,665**

(22) Filed: **Sep. 26, 2006**

(30) **Foreign Application Priority Data**

Apr. 3, 1920 (EM) 00506118-0002

(51) **LOC (8) Cl.** **31-00**

(52) **U.S. Cl.** **D7/368**; D7/376; D7/381

(58) **Field of Classification Search** D7/368,
D7/669, 376, 381; 366/91, 92, 77, 187, 196,
366/299; 241/101.1; 425/190, 191, 204,
425/205, 376.1, 382.3

See application file for complete search history.

(56) **References Cited**

U.S. PATENT DOCUMENTS

4,219,318 A * 8/1980 Cavalli 425/190
4,406,603 A * 9/1983 Williams 425/191
D325,852 S * 5/1992 Giannelli D7/368

5,324,185 A * 6/1994 Backus et al. 425/72.1
5,460,506 A * 10/1995 Price et al. 425/190
D376,725 S * 12/1996 Kang D7/376
5,770,239 A * 6/1998 Ancona 425/190
D467,767 S * 12/2002 Ancona et al. D7/376

* cited by examiner

Primary Examiner—Terry A. Wallace

(74) *Attorney, Agent, or Firm*—Thomas S. Baker, Jr.

(57) **CLAIM**

The ornamental design for pasta maker with accessories, as shown and described.

DESCRIPTION

FIG. 1 is a right side perspective view of the pasta maker with accessories;

FIG. 2 is a left side perspective view of the pasta maker with accessories;

FIG. 3 is a front view of the pasta maker with accessories;

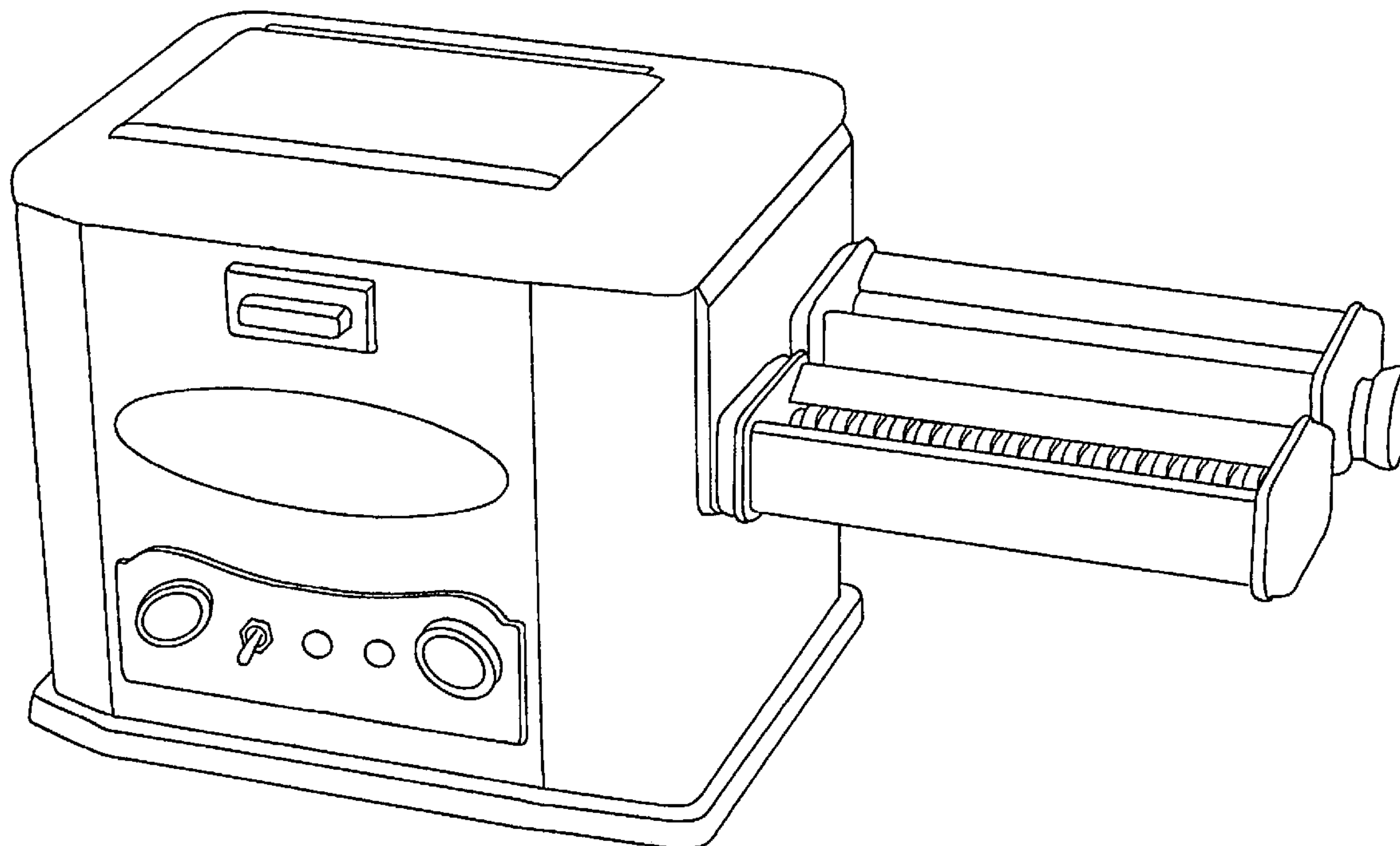
FIG. 4 is a rear view of the pasta maker with accessories;

FIG. 5 is a top view of the pasta maker with accessories;

FIG. 6 is a right side view of the pasta maker with accessories; and,

FIG. 7 is a left side view of the pasta maker with accessories.

1 Claim, 7 Drawing Sheets



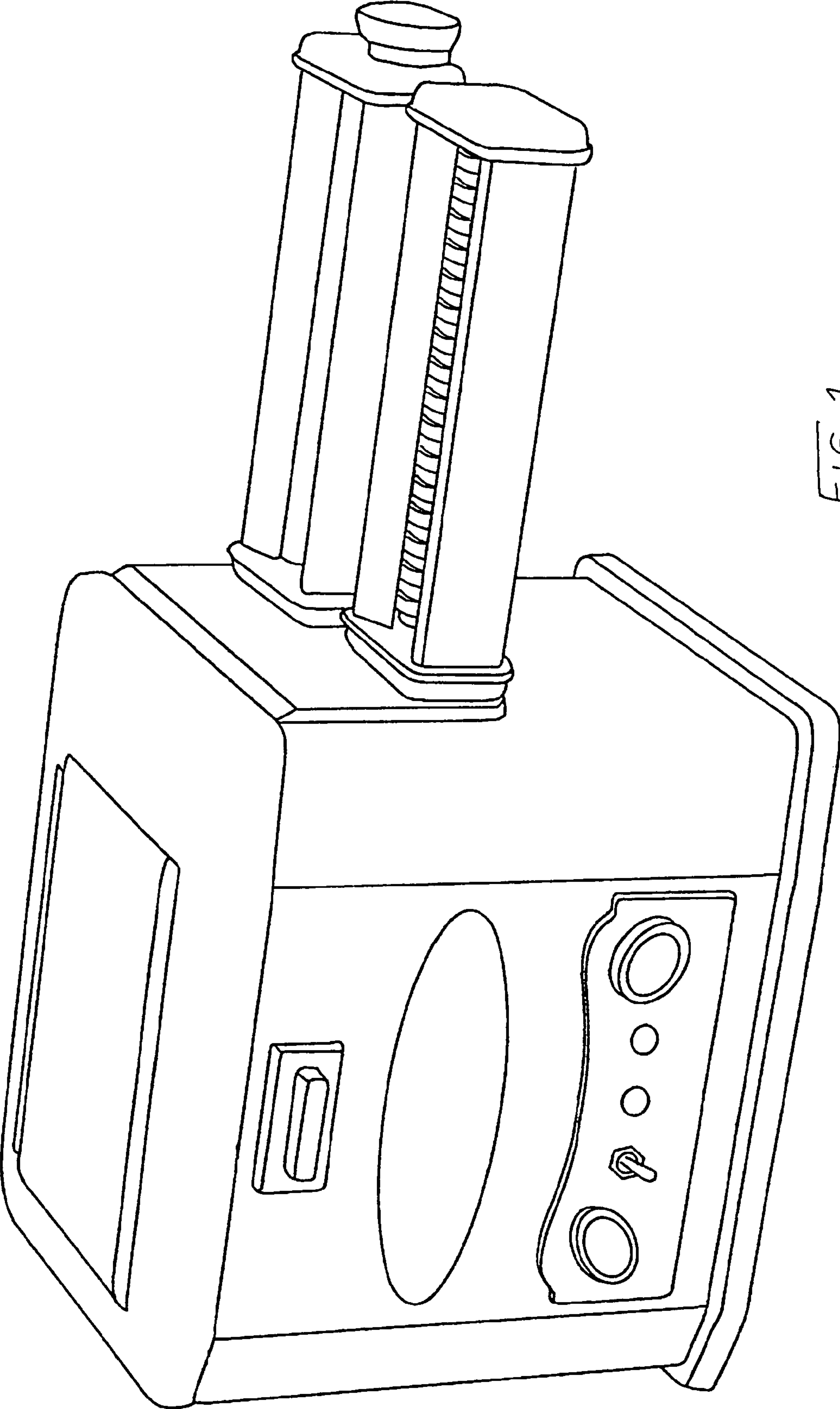


FIG. 1

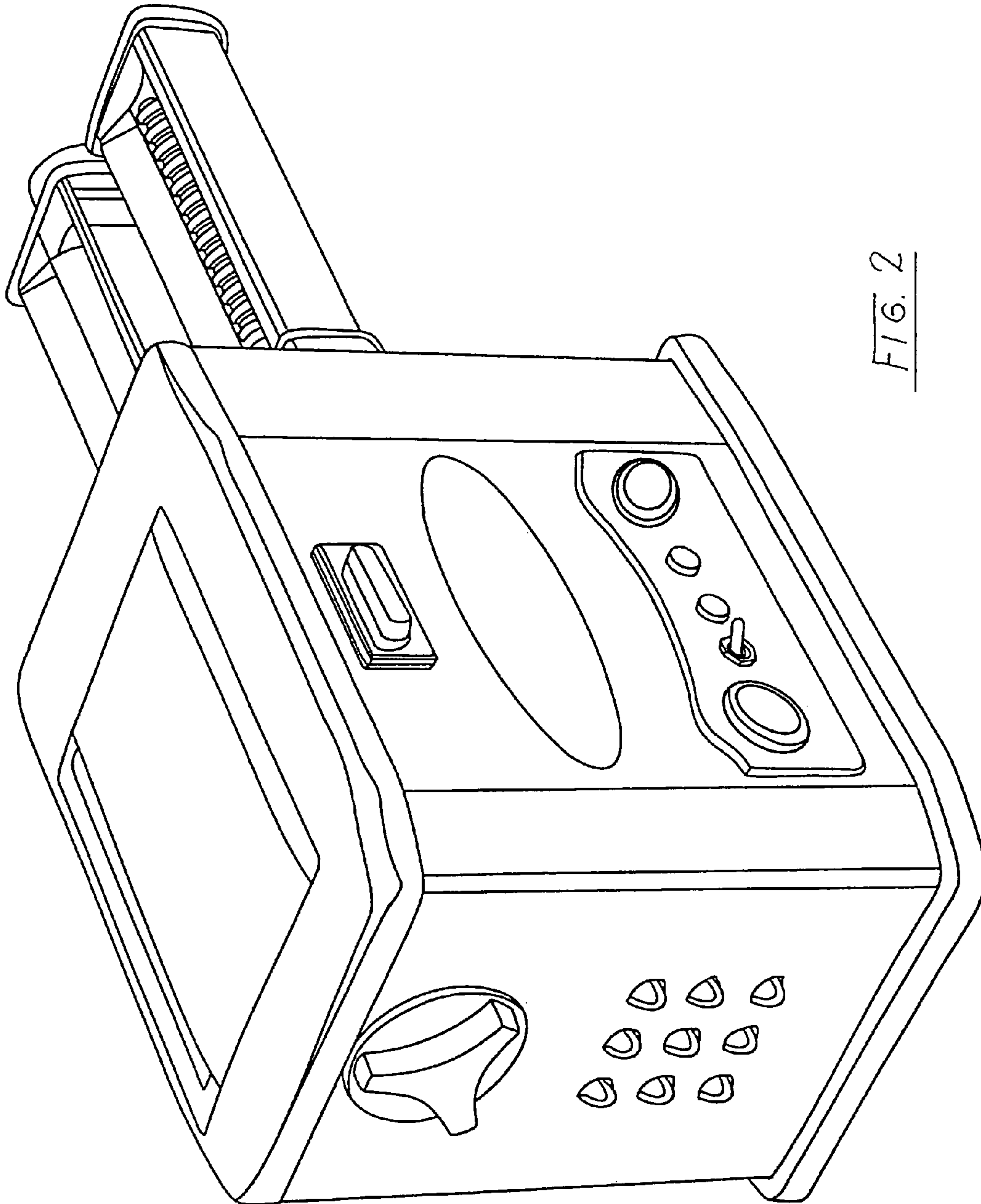


FIG. 2

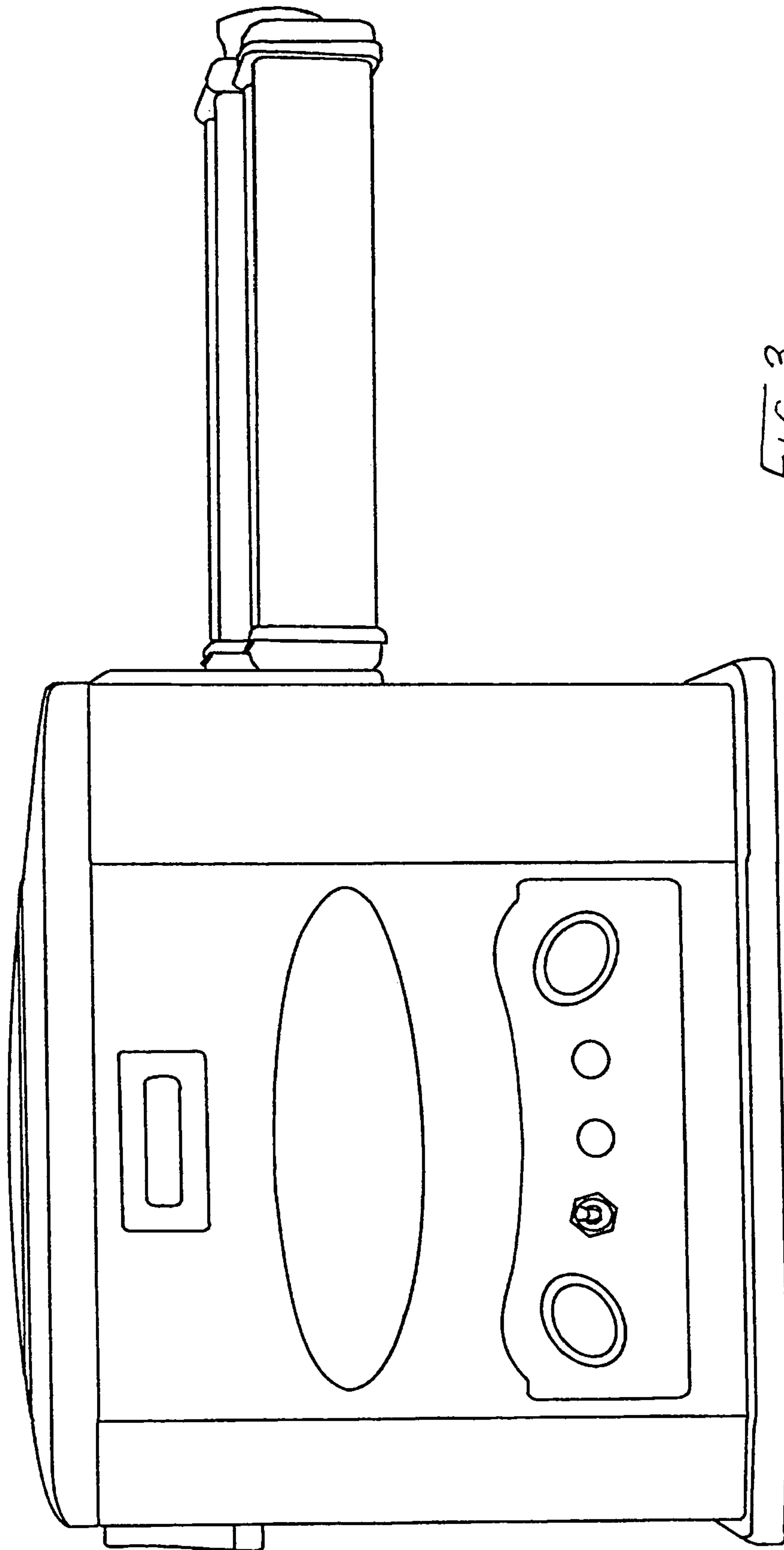


FIG. 3

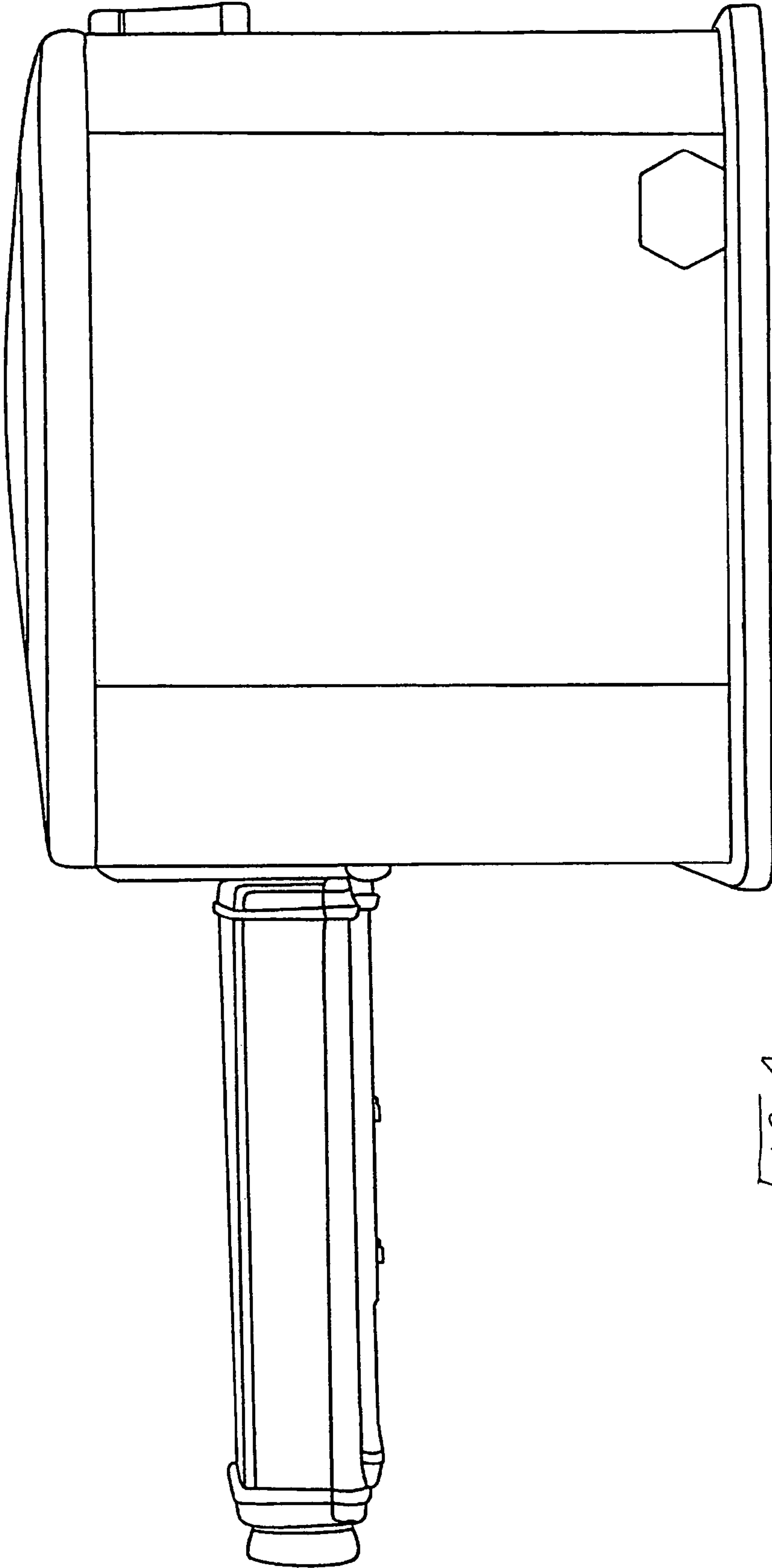


FIG. 4

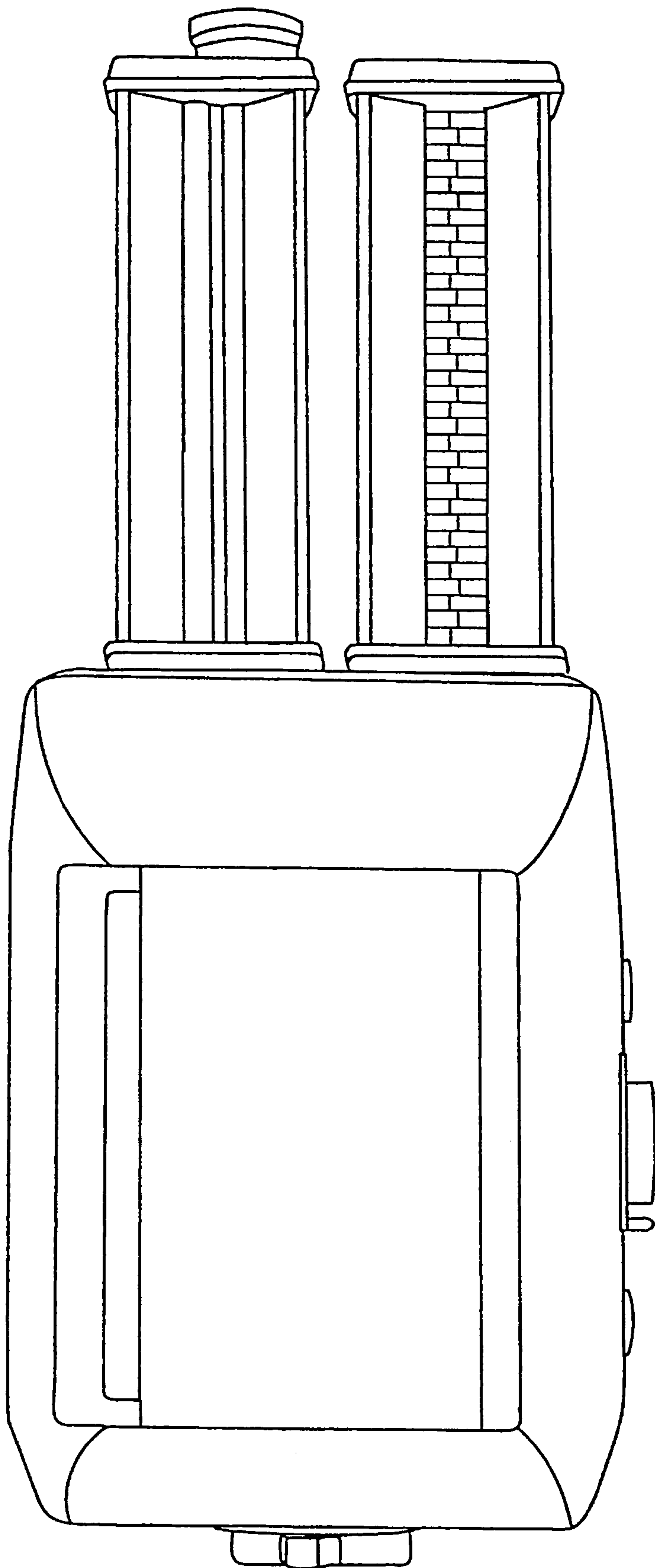


FIG. 5

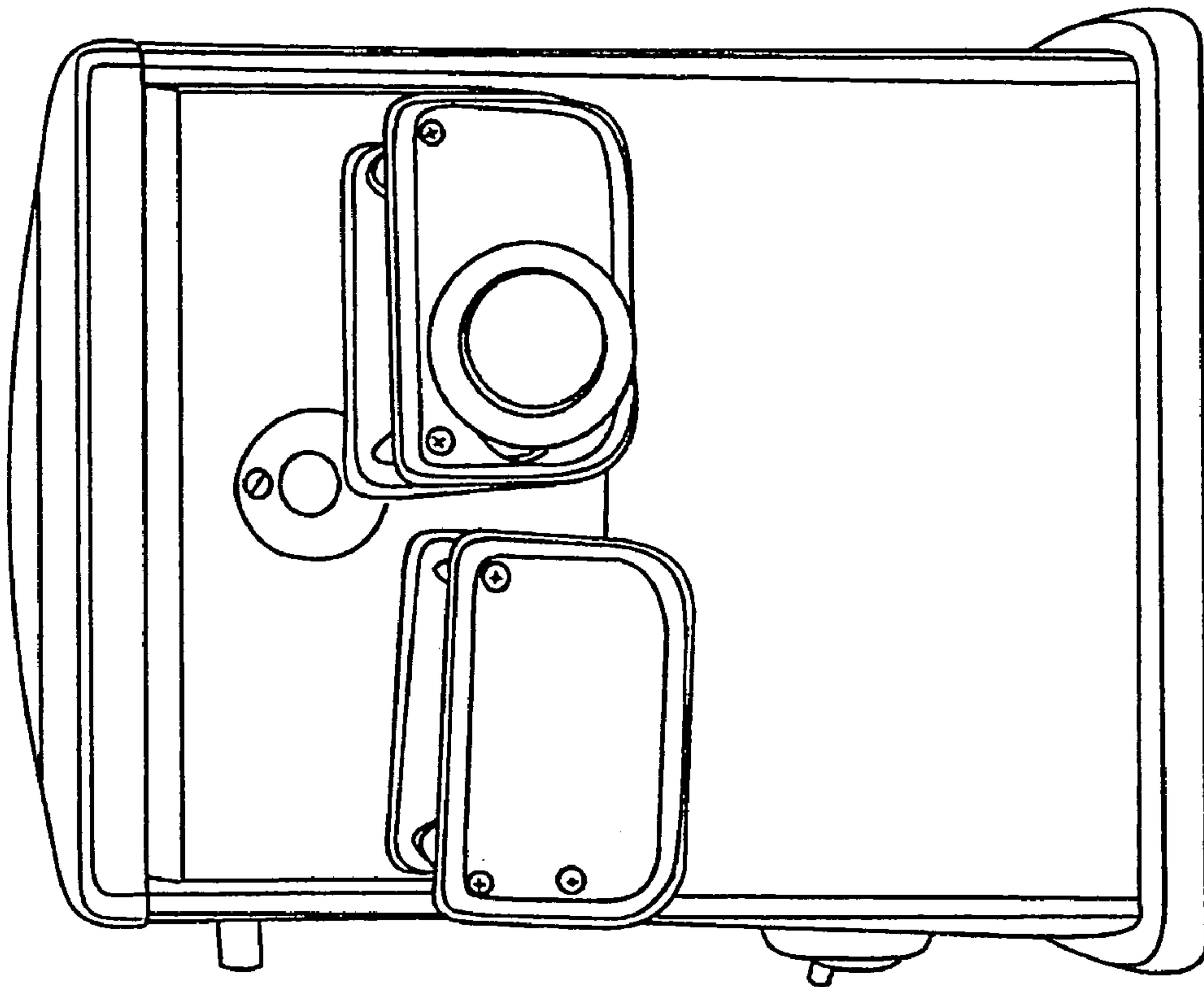


FIG. 6

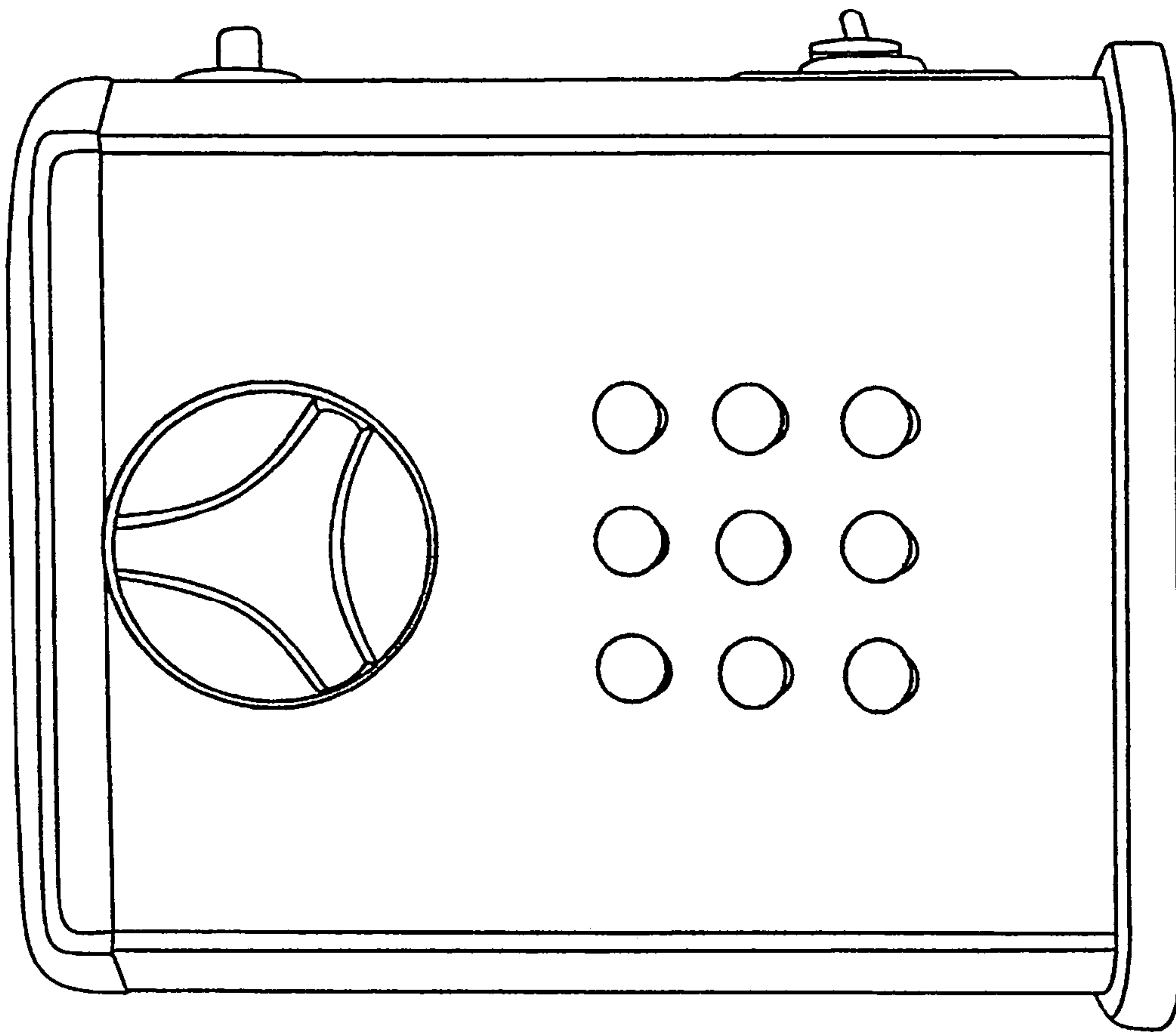


FIG. 7

UNITED STATES PATENT AND TRADEMARK OFFICE
CERTIFICATE OF CORRECTION

PATENT NO. : Des. 551,493 S
APPLICATION NO. : 29/266665
DATED : September 25, 2007
INVENTOR(S) : Pietro Marcato

Page 1 of 1

It is certified that error appears in the above-identified patent and that said Letters Patent is hereby corrected as shown below:

On the first page of the patent document, Item 73, Assignee, the state of the Assignee is listed as "PADUA" and it should read as -- PADOVA --.

On the first page of the patent document, Item (30), the Foreign Application Priority Date shows a date of "Apr. 3, 1920" and it should show a date of -- Apr. 3, 2006 --.

Signed and Sealed this

Fourth Day of December, 2007

A handwritten signature in black ink on a light gray dotted background. The signature reads "Jon W. Dudas" in a cursive style.

JON W. DUDAS

Director of the United States Patent and Trademark Office