



US00D551492S

(12) **United States Design Patent**
Schuler

(10) **Patent No.:** **US D551,492 S**

(45) **Date of Patent:** **** Sep. 25, 2007**

(54) **OBLONG BAKING PAN**

D489,567 S * 5/2004 Groll D7/354
D489,568 S * 5/2004 Groll D7/354

(75) Inventor: **Troy Schuler**, Rancho Cucamonga, CA (US)

* cited by examiner

(73) Assignee: **Bradshaw International, Inc.**, Rancho Cucamonga, CA (US)

Primary Examiner—Cathron C. Brooks

Assistant Examiner—Ricky Pham

(**) Term: **14 Years**

(74) *Attorney, Agent, or Firm*—Birch, Stewart, Kolasch & Birch, LLP

(21) Appl. No.: **29/243,691**

(57) **CLAIM**

(22) Filed: **Nov. 30, 2005**

The ornamental design for an oblong baking pan, as shown and described.

(51) **LOC (8) Cl.** **07-02**

(52) **U.S. Cl.** **D7/354**

(58) **Field of Classification Search** D7/323,
D7/354-360, 550.1, 551.1, 552.1, 553.1,
D7/543, 554.1, 554.2, 554.3, 393, 554.4,
D7/602; 99/324, 339, 422, 446, 448; 220/573.1,
220/573.2, 573.3, 574, 573.4, 912; 294/172
See application file for complete search history.

DESCRIPTION

FIG. 1 is a front, right perspective view of a first embodiment of the oblong baking pan showing my new design with a tab on one hand grip;

FIG. 2 is a top view thereof;

FIG. 3 is a bottom view thereof;

FIG. 4 is a right side view thereof, the left side view being a mirror image thereof;

FIG. 5 is a front view thereof, the rear view being a mirror image thereof;

FIG. 6 is a front, right perspective view of a second embodiment of the oblong baking pan showing my new design with a tab on both hand grips;

FIG. 7 is a top view thereof;

FIG. 8 is a bottom view thereof;

FIG. 9 is a right side view thereof, the left side view being a mirror image thereof, and,

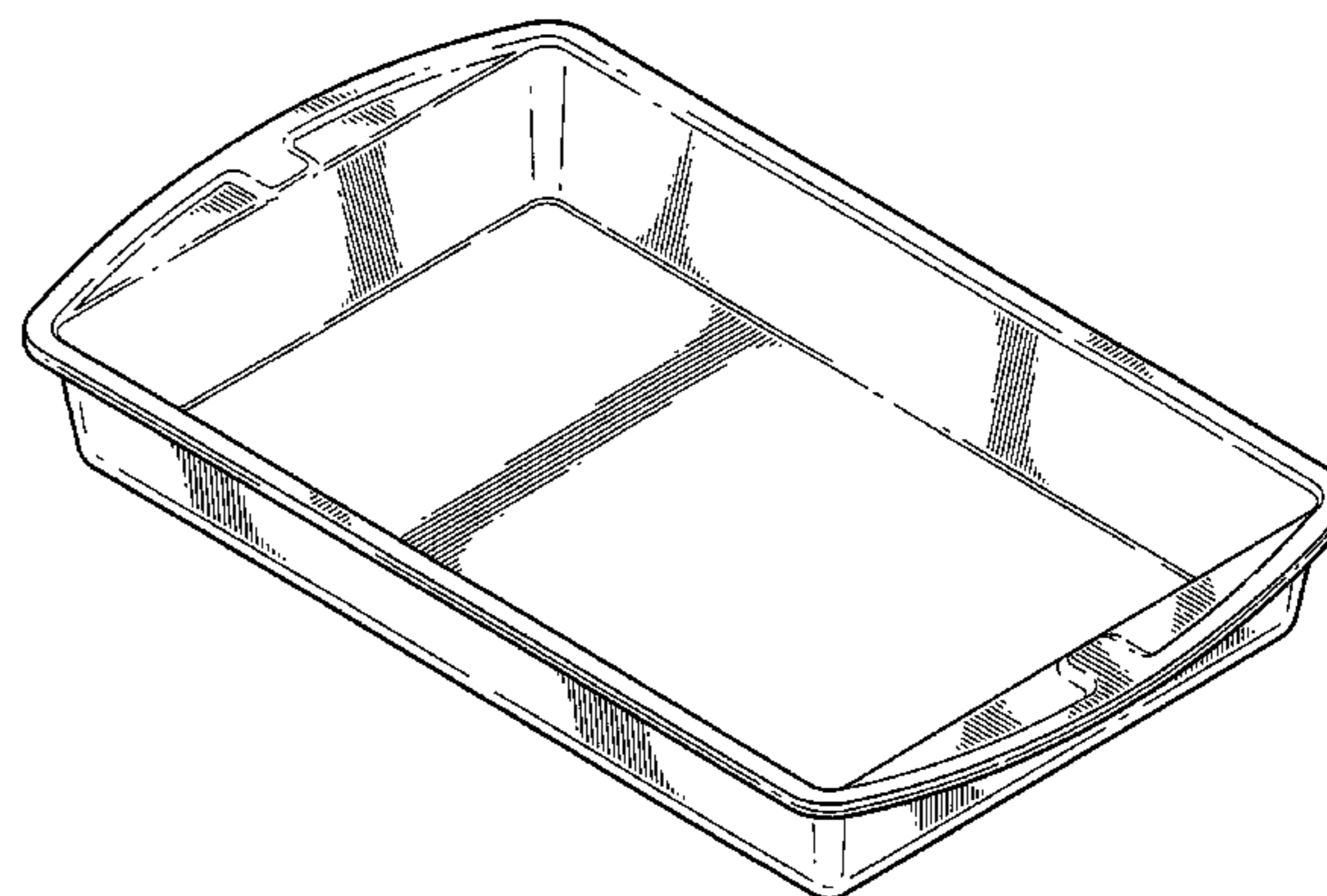
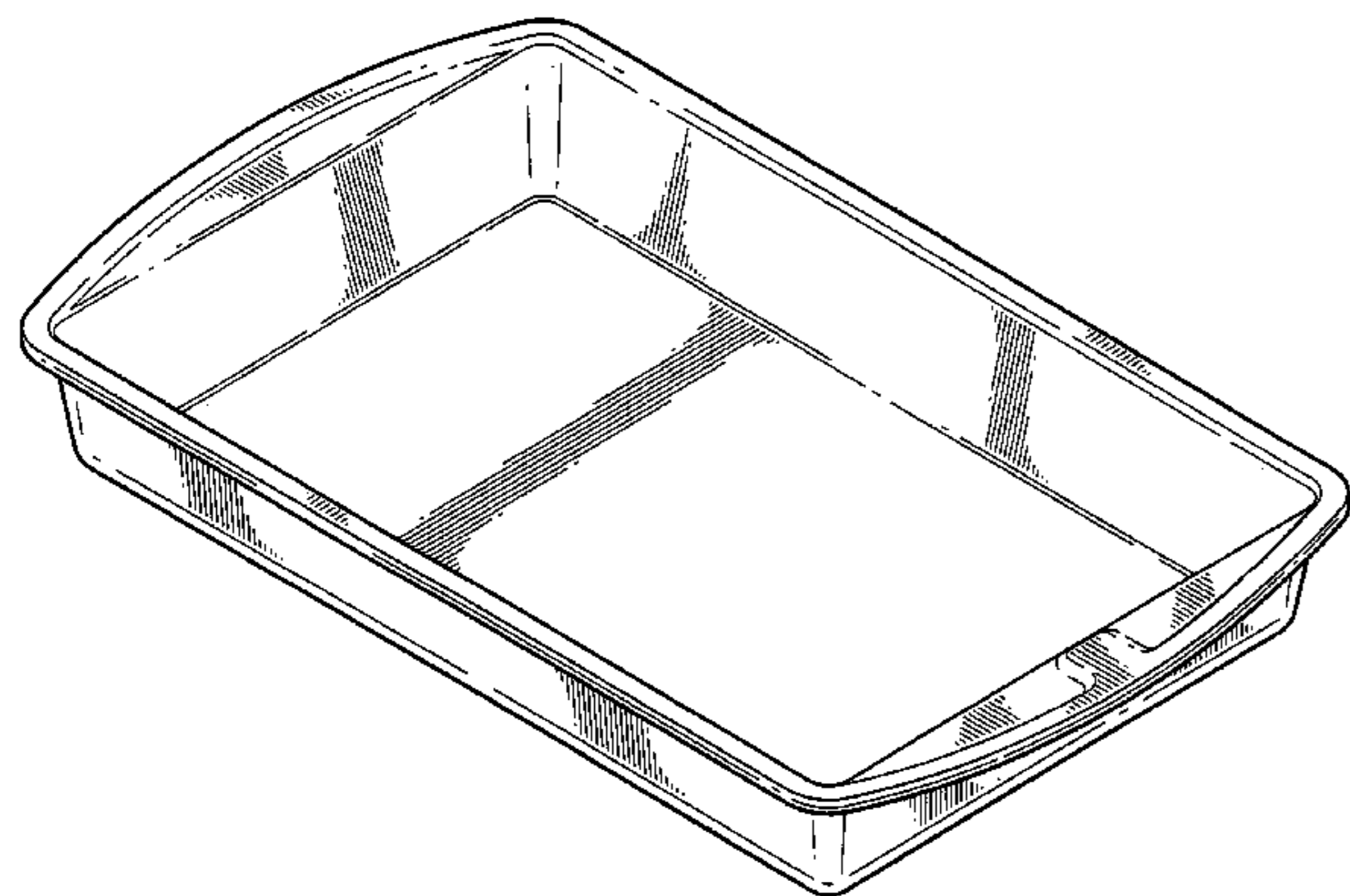
FIG. 10 is a front view thereof, the rear view being a mirror image thereof.

(56) **References Cited**

U.S. PATENT DOCUMENTS

- D113,571 S * 2/1939 Reinecke et al. D7/586
- D212,821 S * 11/1968 Benes D7/545
- D287,559 S * 1/1987 Daenen et al. D7/586
- D314,892 S * 2/1991 Sata D7/698
- D348,805 S * 7/1994 Cautereels D7/602
- D418,017 S * 12/1999 Henry D7/545
- D431,958 S * 10/2000 Harris D7/354
- D432,355 S * 10/2000 Bouldstridge D7/396.1
- D434,606 S * 12/2000 Reames et al. D7/552.1
- D442,425 S * 5/2001 Wyche D7/360
- D469,654 S * 2/2003 Cooper et al. D7/360
- D470,712 S * 2/2003 Swinford et al. D7/360
- D470,713 S * 2/2003 Swinford et al. D7/360
- D475,246 S * 2/2003 Jørgensen. D7/545
- D483,616 S * 12/2003 Thonis D7/545

1 Claim, 8 Drawing Sheets



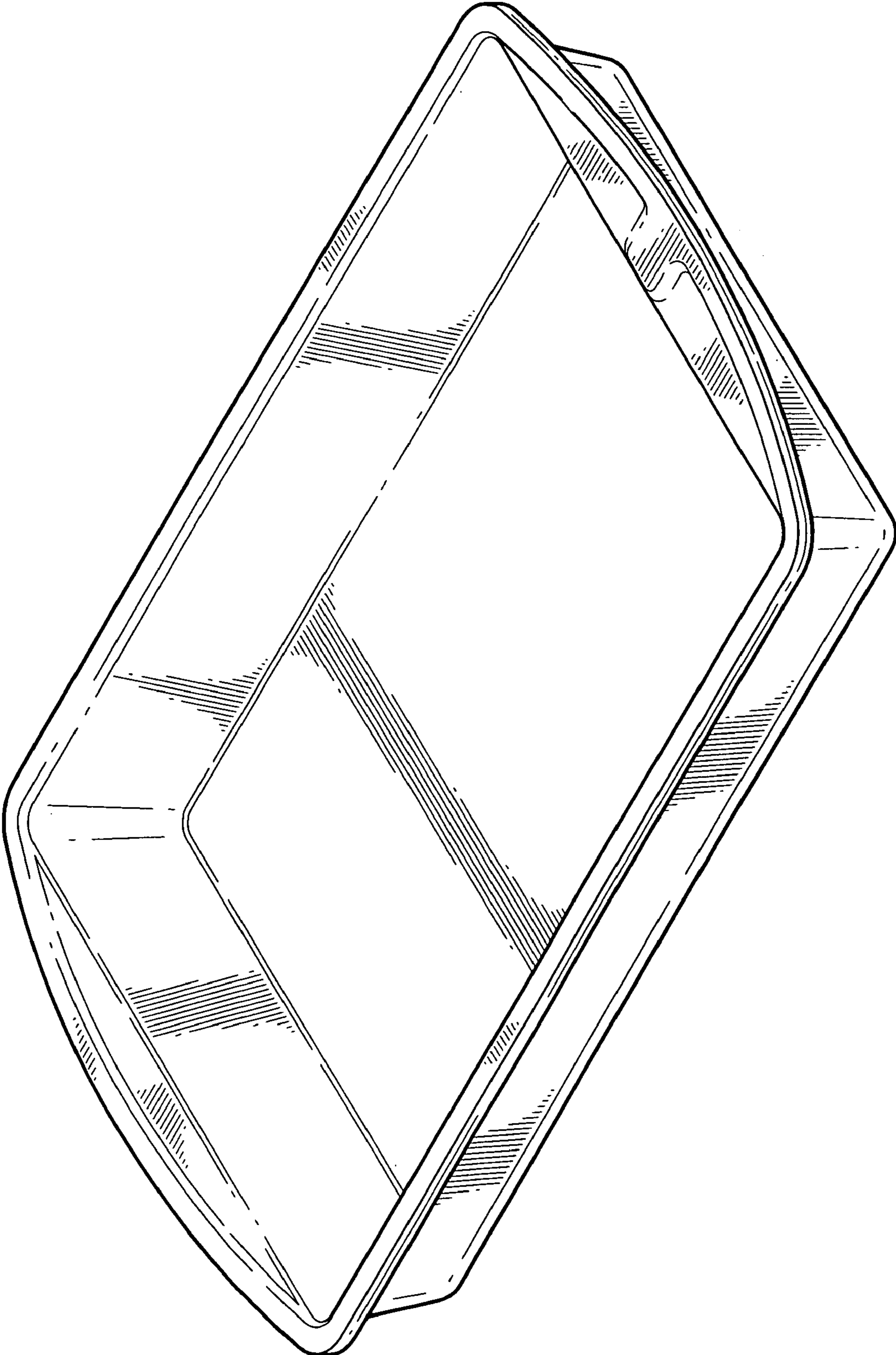


FIG.1

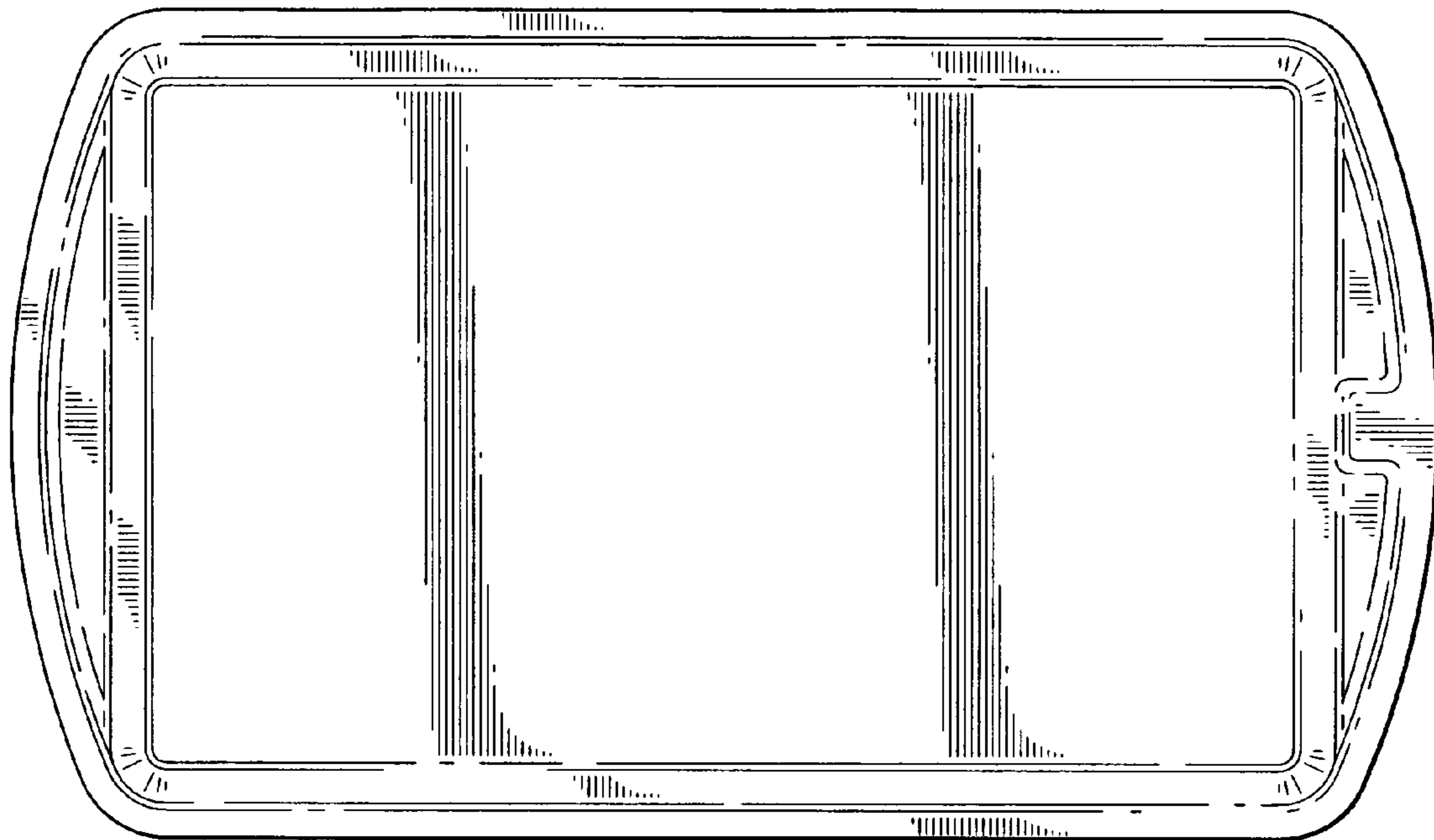


FIG.2

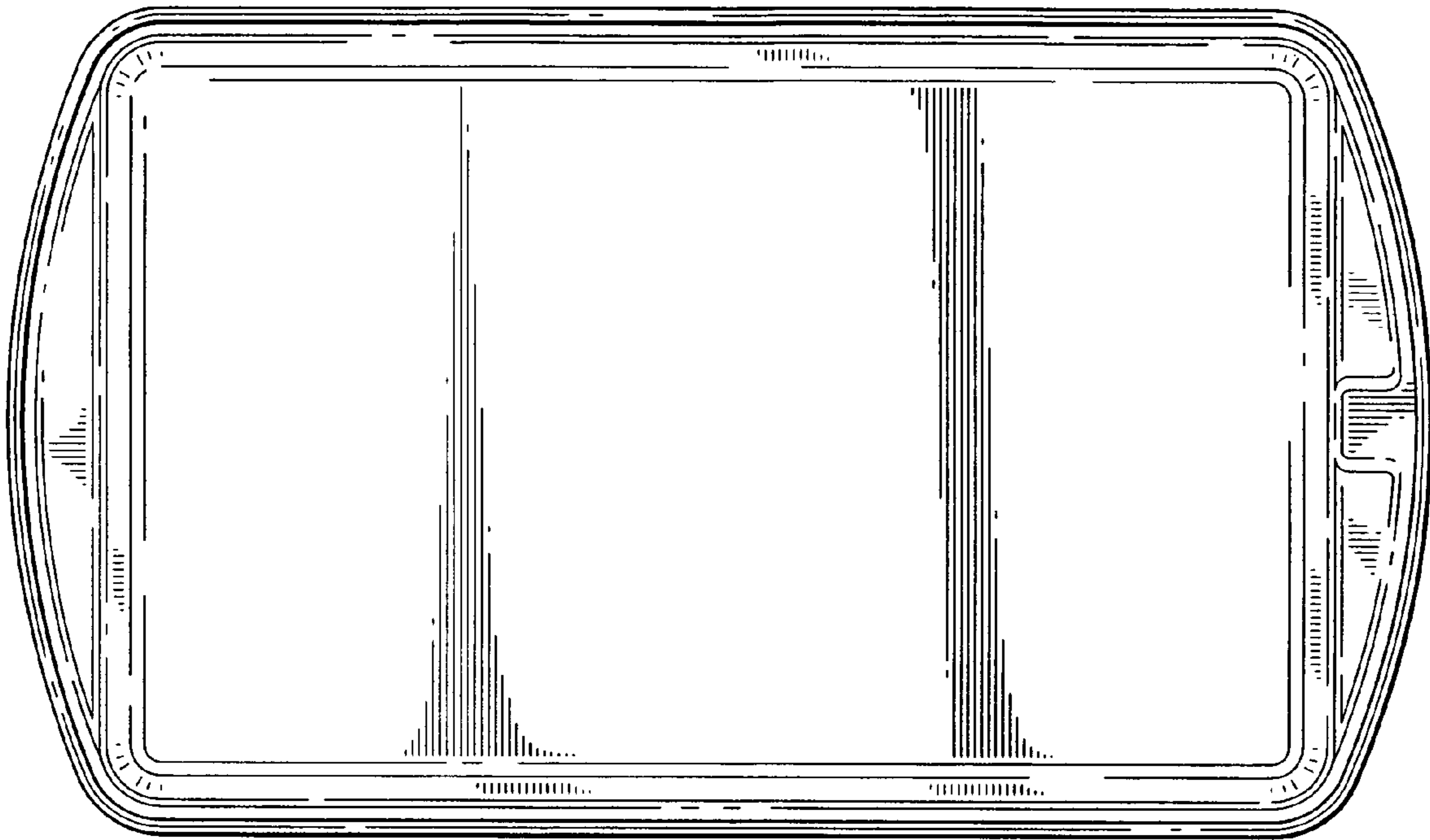


FIG.3

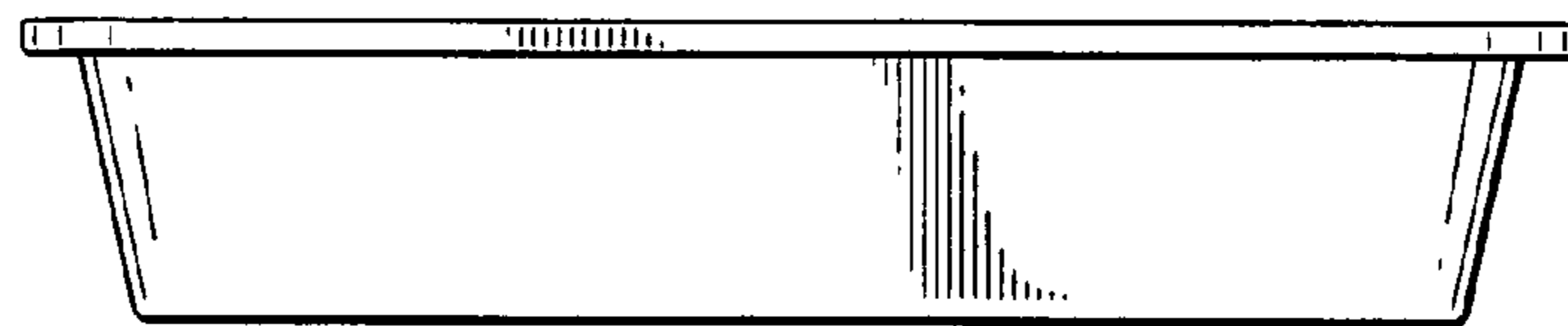


FIG. 4

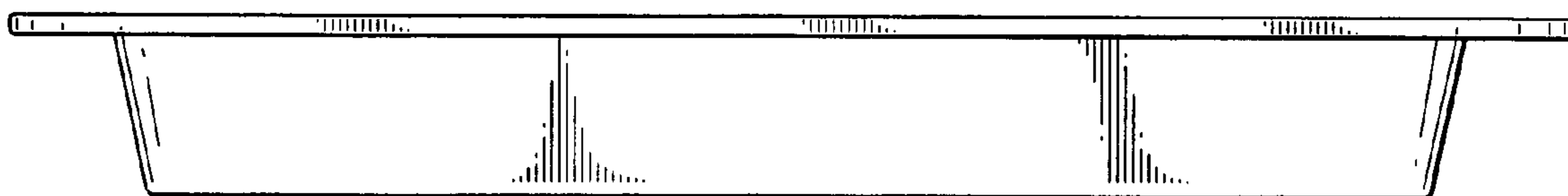


FIG. 5

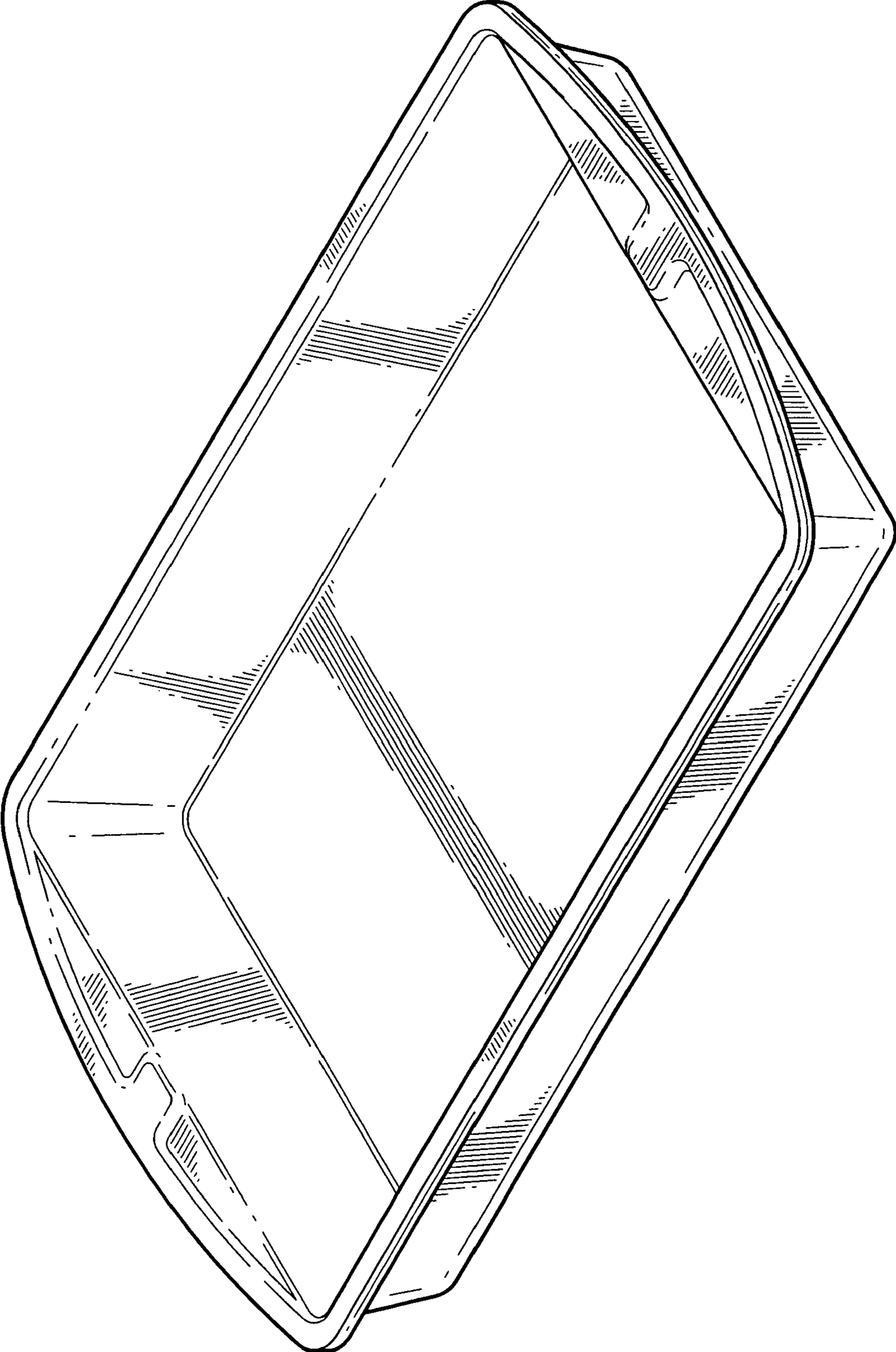


FIG.6

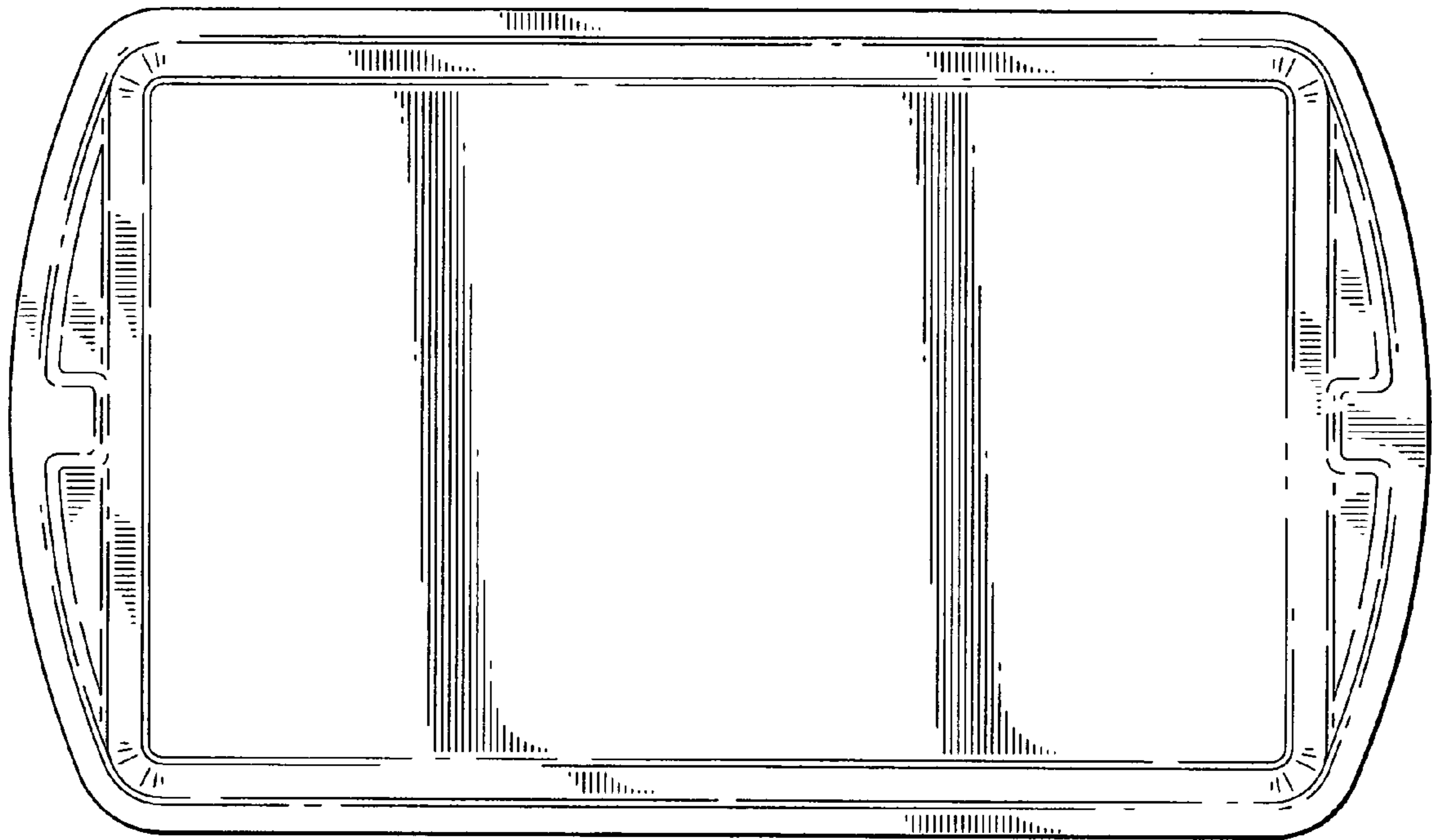


FIG. 7

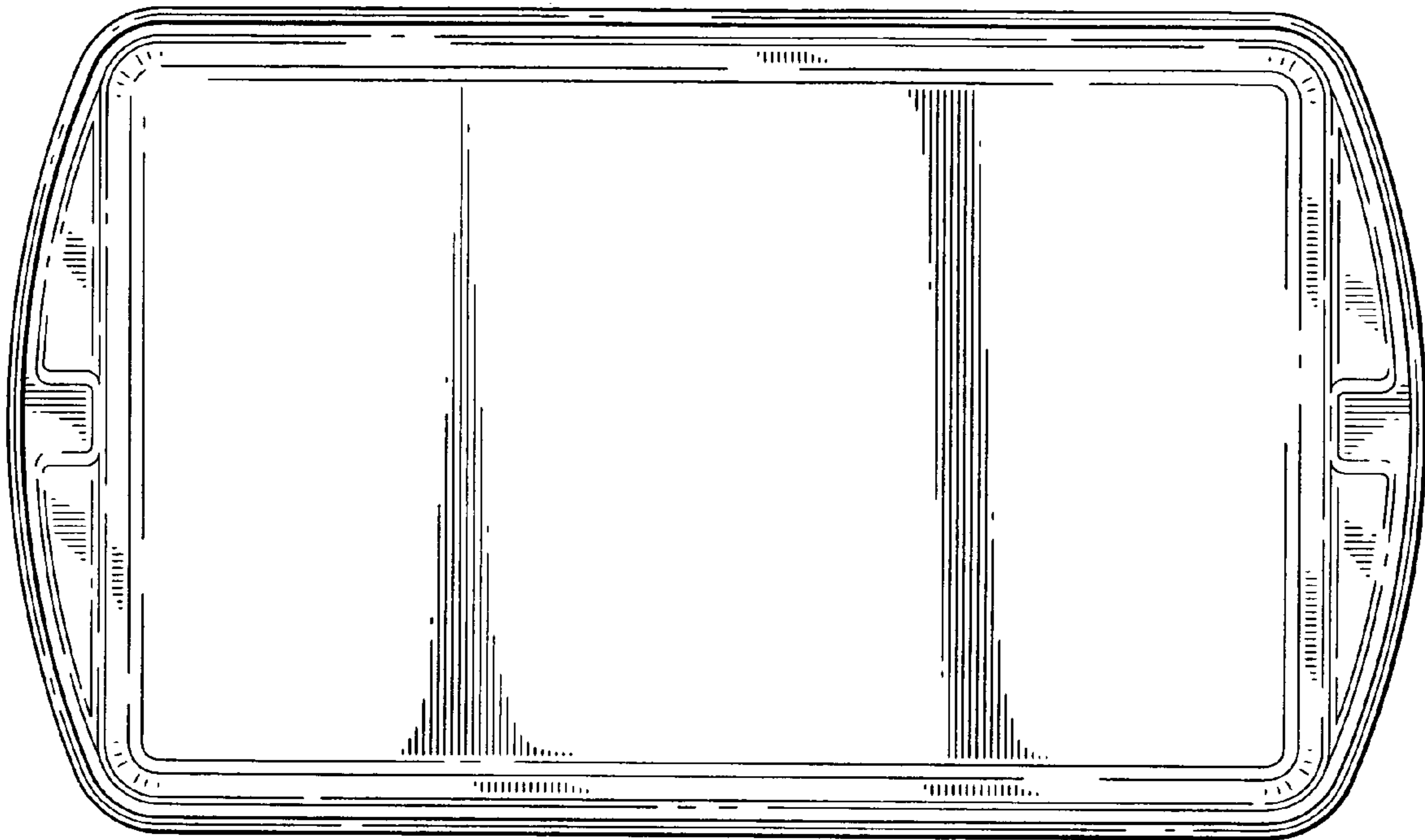


FIG. 8

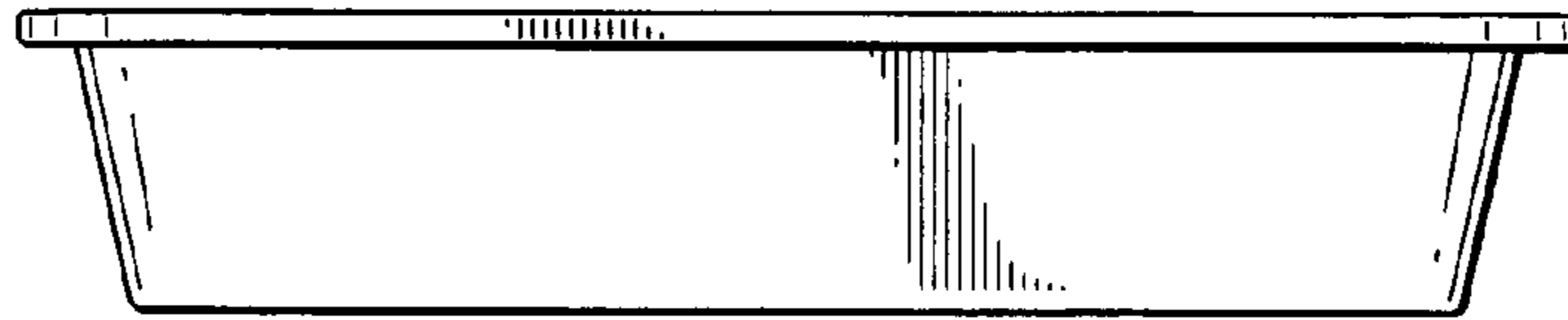


FIG. 9

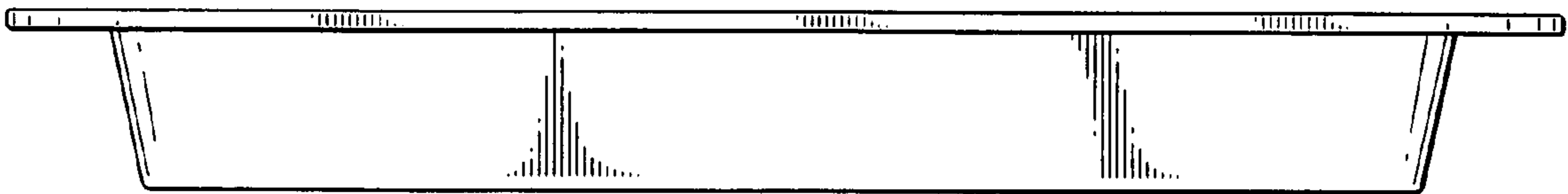


FIG. 10