



US00D551490S

(12) **United States Design Patent**
Sacherman

(10) **Patent No.:** **US D551,490 S**

(45) **Date of Patent:** **** Sep. 25, 2007**

(54) **OUTDOOR BARBEQUE GRILL**

D529,331 S * 10/2006 Chung D7/334

(76) Inventor: **Jim Sacherman**, 222 2E Park Pl.,
Minden, NV (US) 80423

* cited by examiner

Primary Examiner—Ruth McInroy

(74) *Attorney, Agent, or Firm*—Haverstock & Owens LLP

(**) Term: **14 Years**

(21) Appl. No.: **29/245,255**

(57) **CLAIM**

(22) Filed: **Feb. 7, 2006**

I claim the ornamental design for outdoor barbeque grill, as shown and described.

(51) **LOC (8) Cl.** **07-02**

(52) **U.S. Cl.** **D7/335**

DESCRIPTION

(58) **Field of Classification Search** D7/332–337,
D7/402–405; D23/335–336, 343; 126/500,
126/506, 519, 40, 50, 9 R, 9 B, 25 R, 25 A,
126/304 R, 305, 268, 276, 41 R, 37 R; 99/445,
99/448, 481–482; 248/128–129; 312/249.8,
312/249.13, 351.2; D6/511, 574
See application file for complete search history.

FIG. 1 is a top perspective view of an outdoor barbeque grill showing my new design, with the lid in a closed position;

FIG. 2 is a rear elevational view thereof, with the lid in the closed position;

FIG. 3 is a front elevational view thereof, with the lid in the closed position;

FIG. 4 is a left side elevational view thereof, with the lid in the closed position;

(56) **References Cited**

U.S. PATENT DOCUMENTS

4,741,321 A	5/1988	Squires	126/9
4,949,701 A	8/1990	Krosp et al.	126/41
5,050,577 A	9/1991	Baynes et al.	126/9
5,050,731 A	9/1991	Baynes et al.	206/320
5,109,834 A	5/1992	Collins et al.	126/41
5,355,558 A	10/1994	Vertanen	16/360
5,483,947 A	1/1996	Giebel et al.	126/41
5,791,331 A	8/1998	Stewart	126/41
5,850,828 A	12/1998	Valentino	126/25
D416,164 S *	11/1999	Wagner et al.	D7/334
D426,741 S *	6/2000	Pai	D7/334
6,520,557 B2	2/2003	Benthaus et al.	296/76
6,578,234 B2	6/2003	Westerdale	16/370
D480,596 S *	10/2003	Dellinger et al.	D7/335
D483,983 S *	12/2003	Harrod et al.	D7/334
6,701,577 B1	3/2004	Yeh	16/376
6,910,476 B2	6/2005	Johnson et al.	126/41
D516,367 S *	3/2006	Lutz et al.	D7/335
D520,072 S *	5/2006	Seelig et al.	D21/370

FIG. 5 is a right side elevational view thereof, with the lid in the closed position;

FIG. 6 is a top view thereof, with the lid in the closed position;

FIG. 7 is a top perspective view of outdoor barbeque grill with its lid in an open position;

FIG. 8 is a front elevational view thereof, with the lid in the open position;

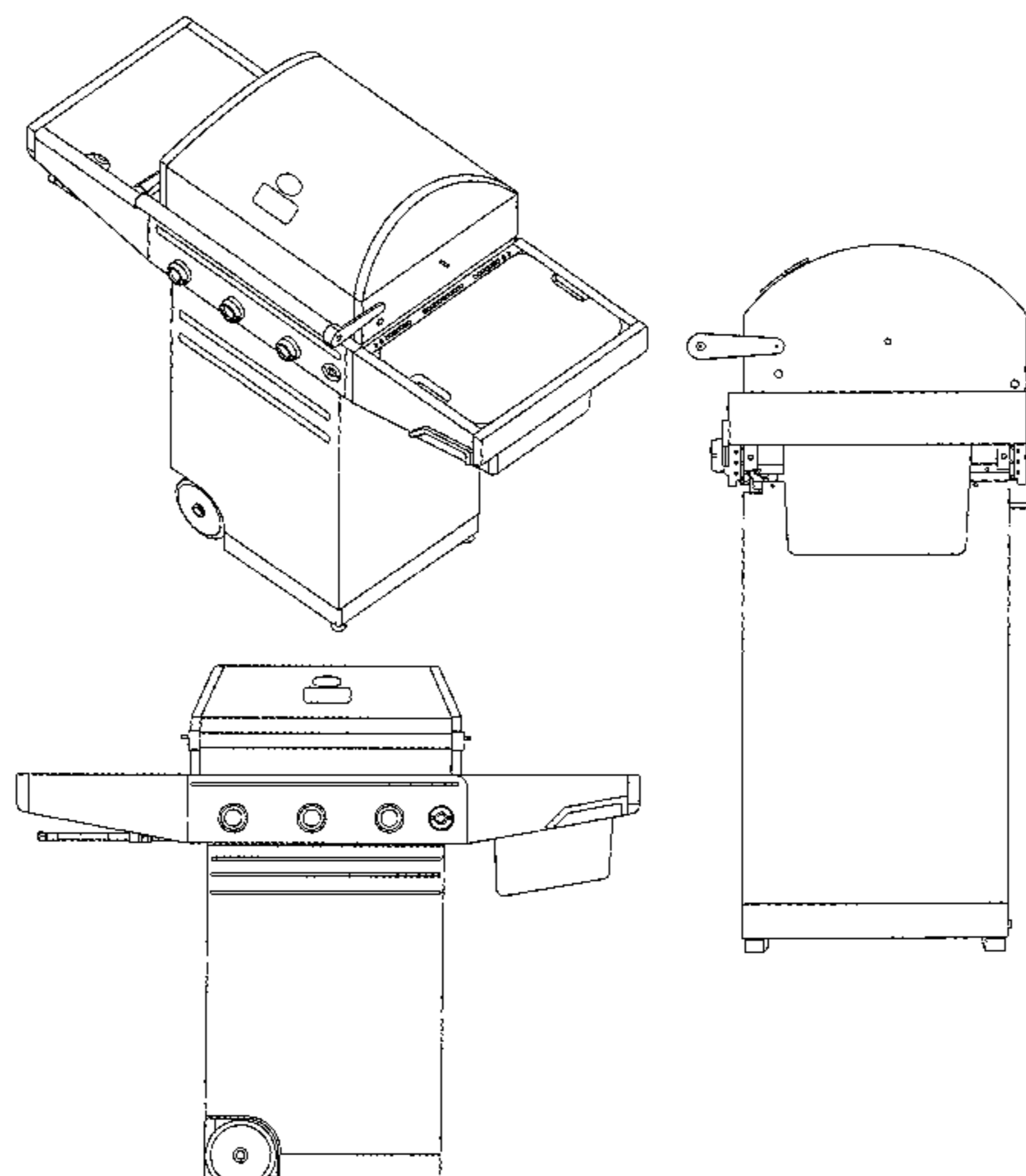
FIG. 9 is a rear elevational view thereof, with the lid in the open position;

FIG. 10 is a left side elevational view thereof, with the lid in the open position;

FIG. 11 is a right side elevational view thereof, with the lid in the open position; and,

FIG. 12 is a top view thereof, with the lid in the open position.

1 Claim, 12 Drawing Sheets



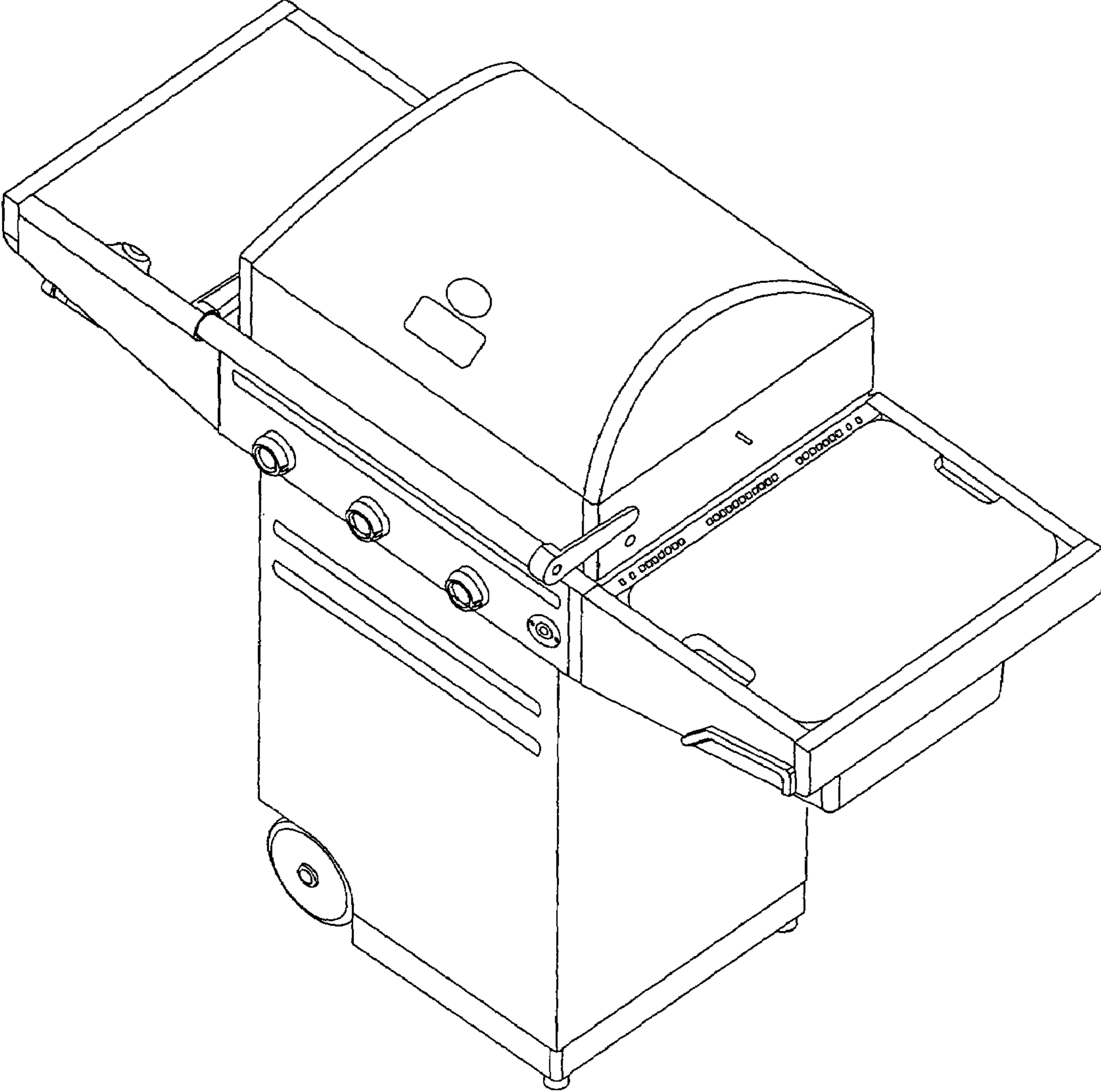


Fig. 1

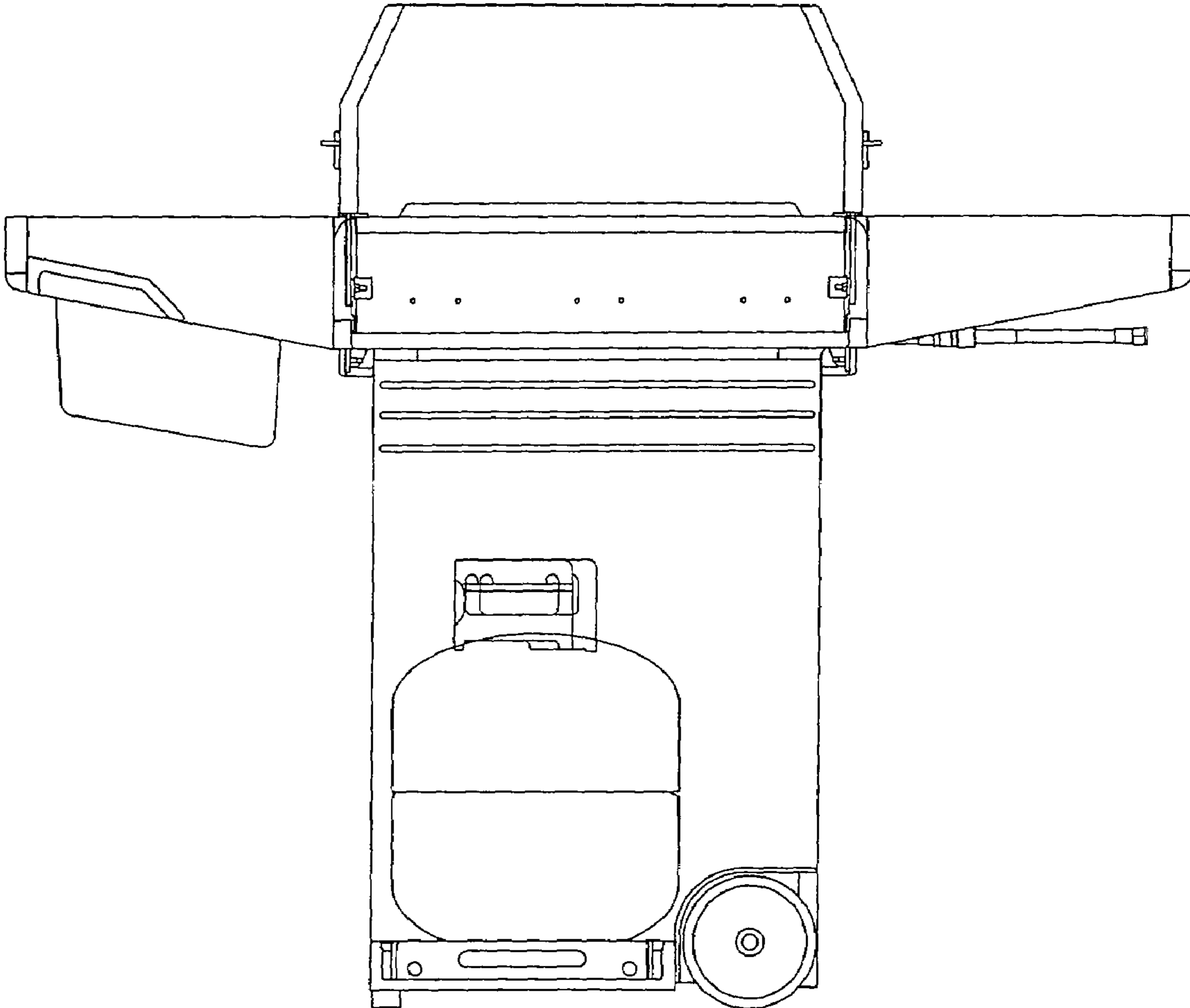


Fig. 2

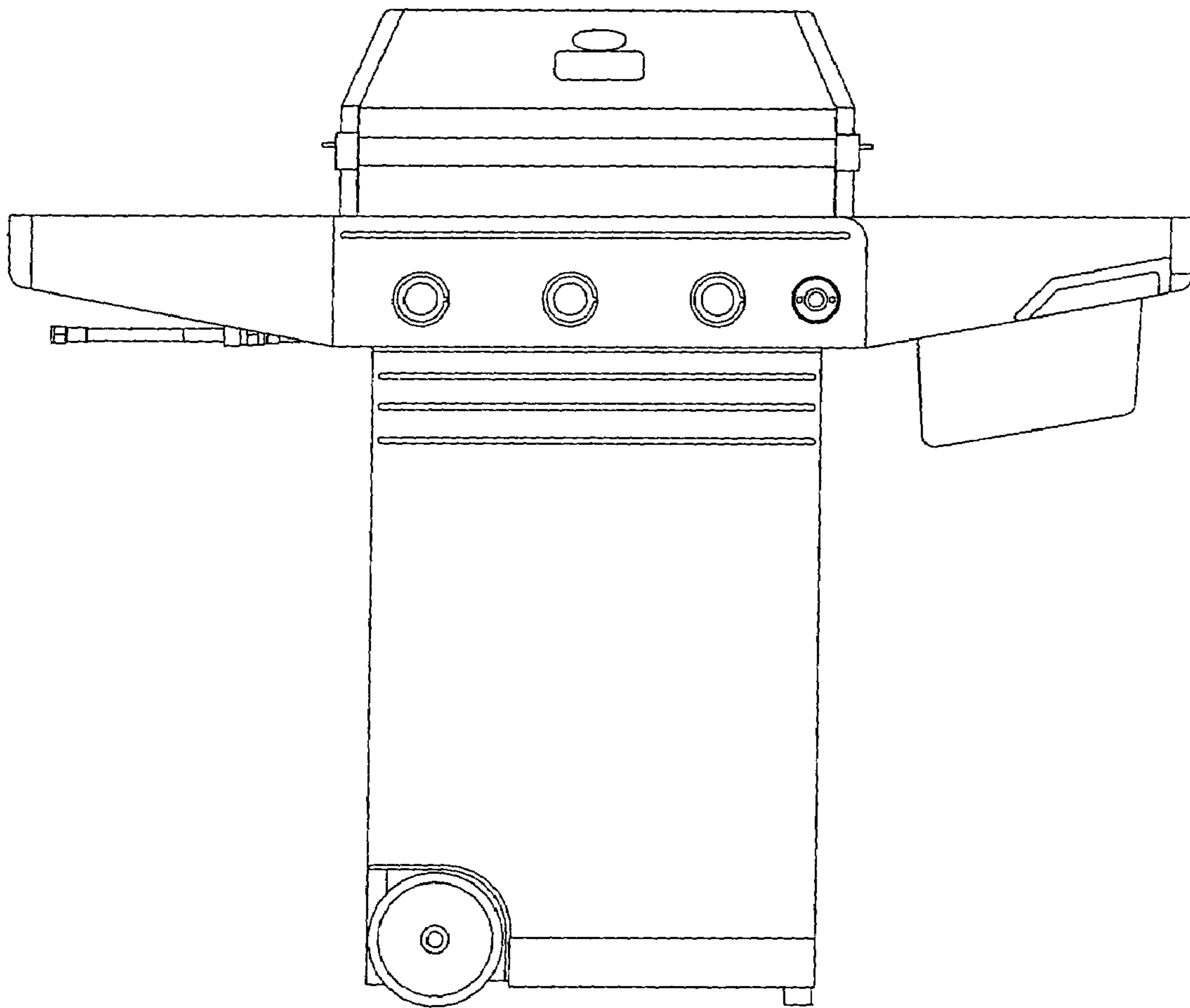


Fig. 3

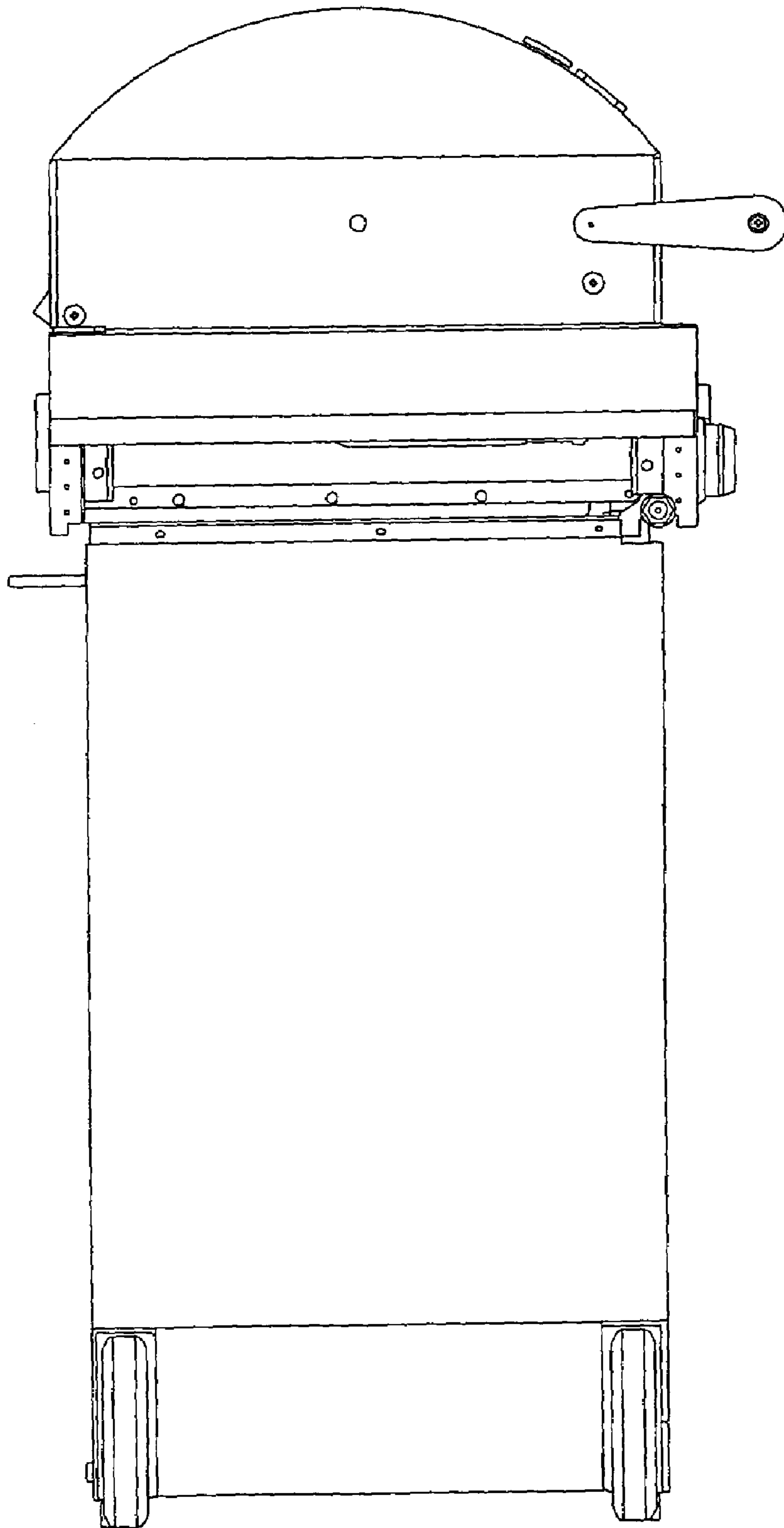


Fig. 4

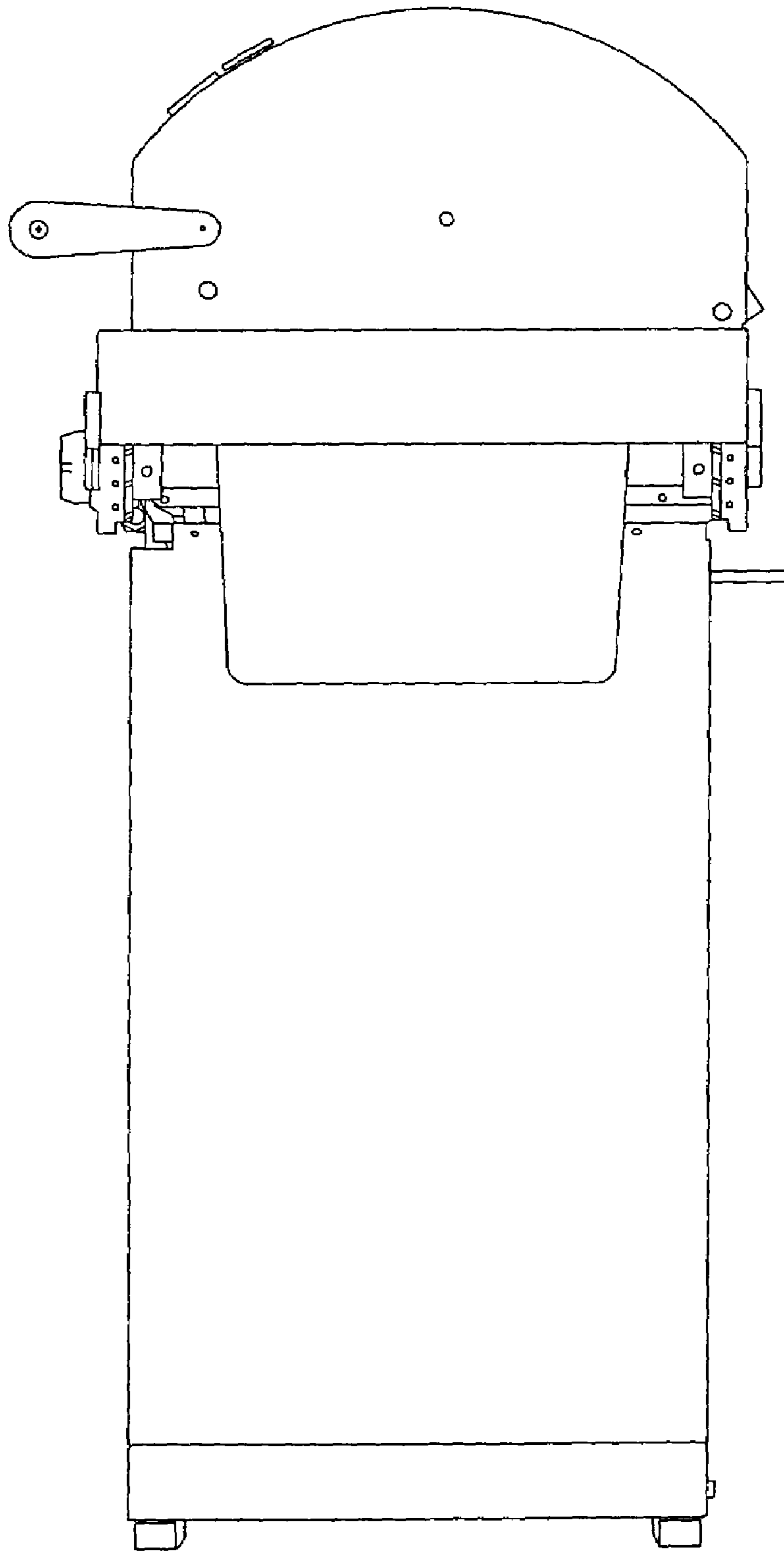


Fig. 5

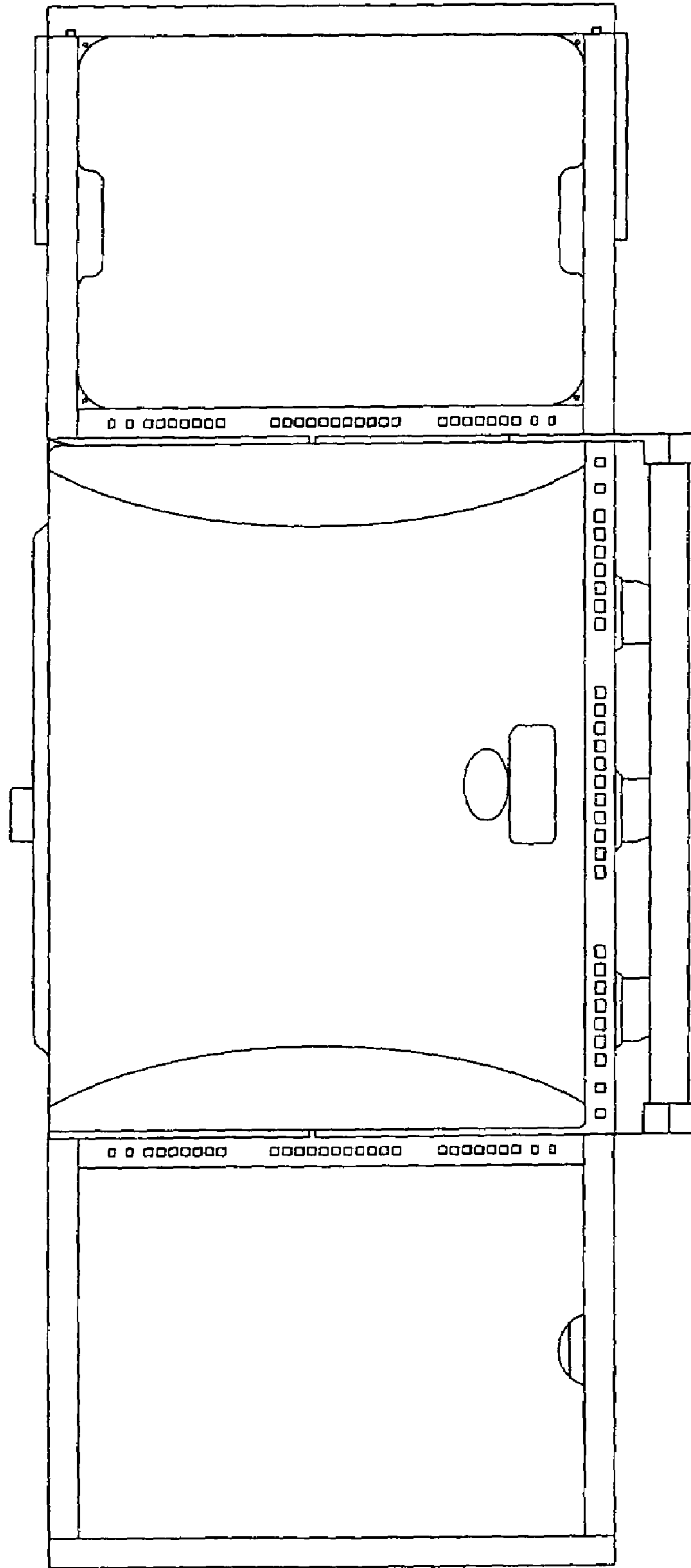


Fig. 6

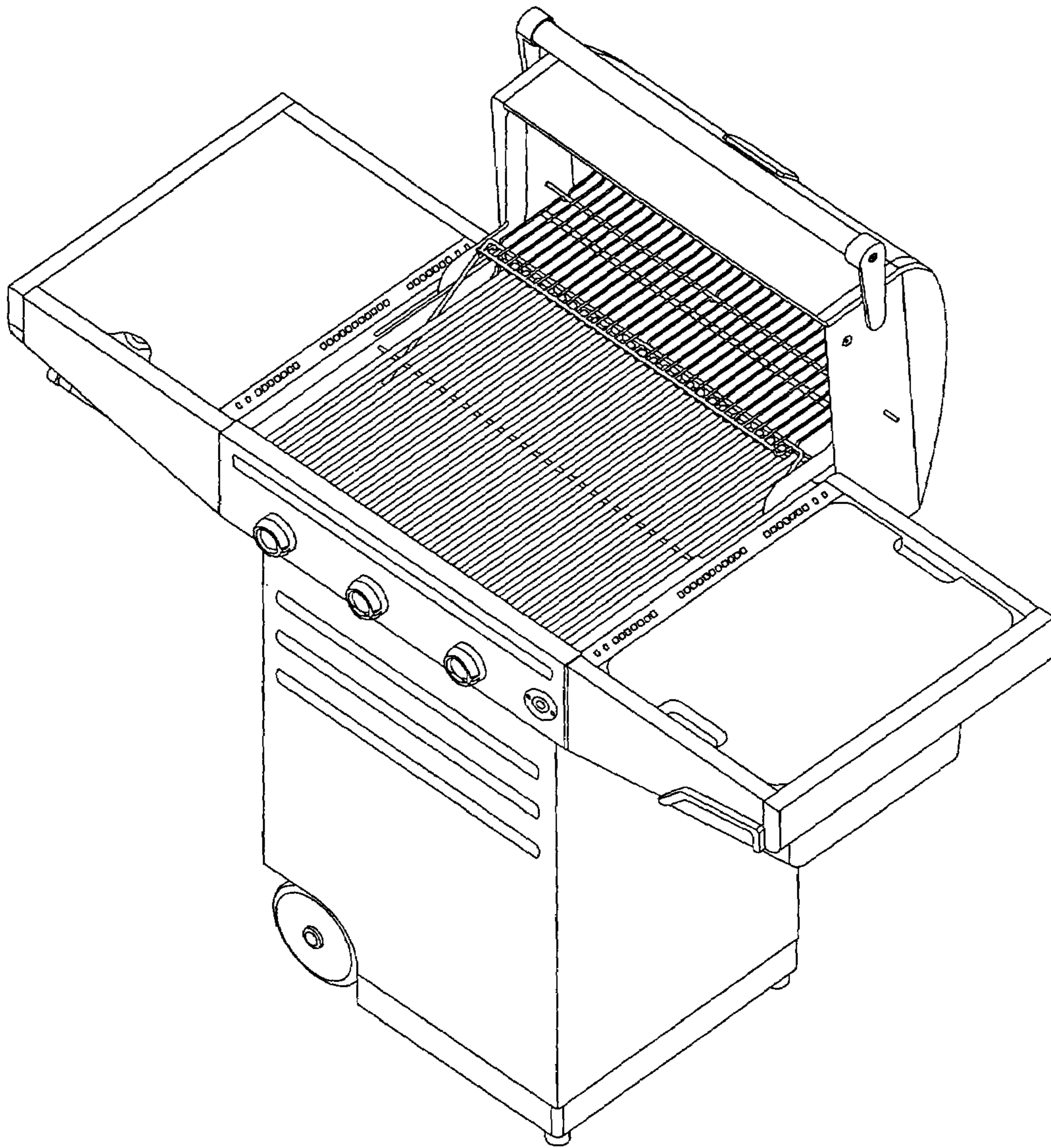


Fig. 7

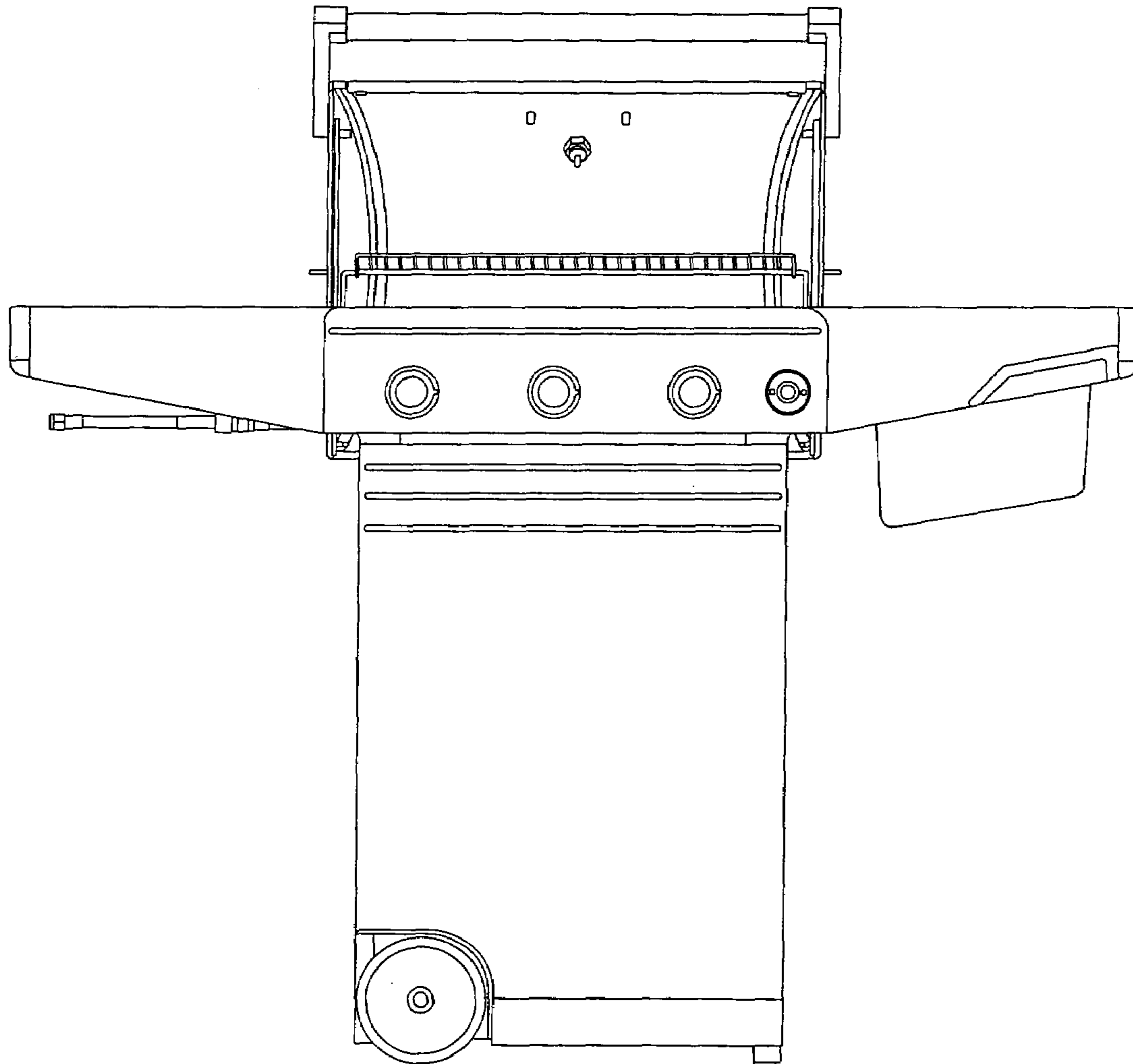


Fig. 8

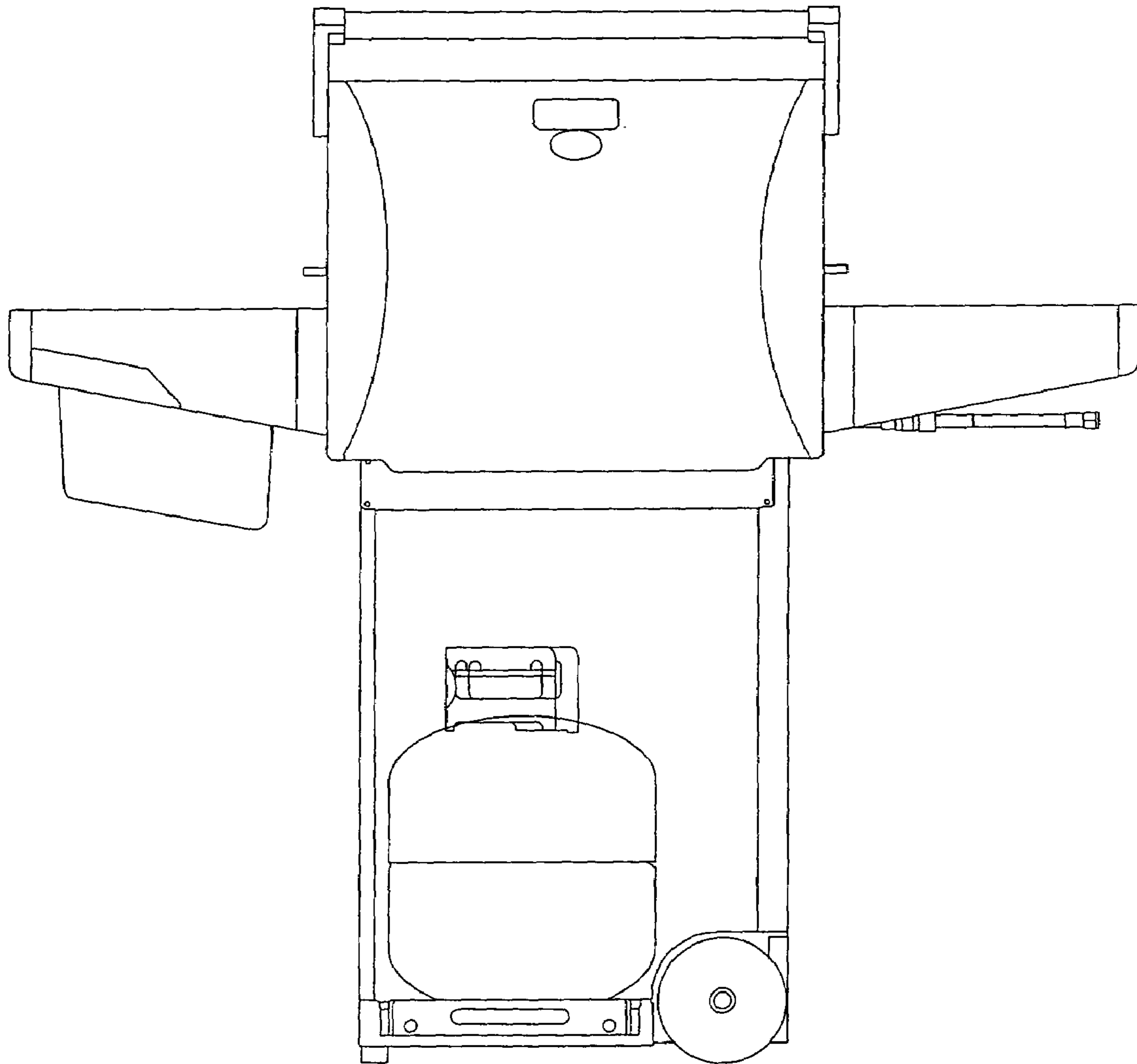


Fig. 9

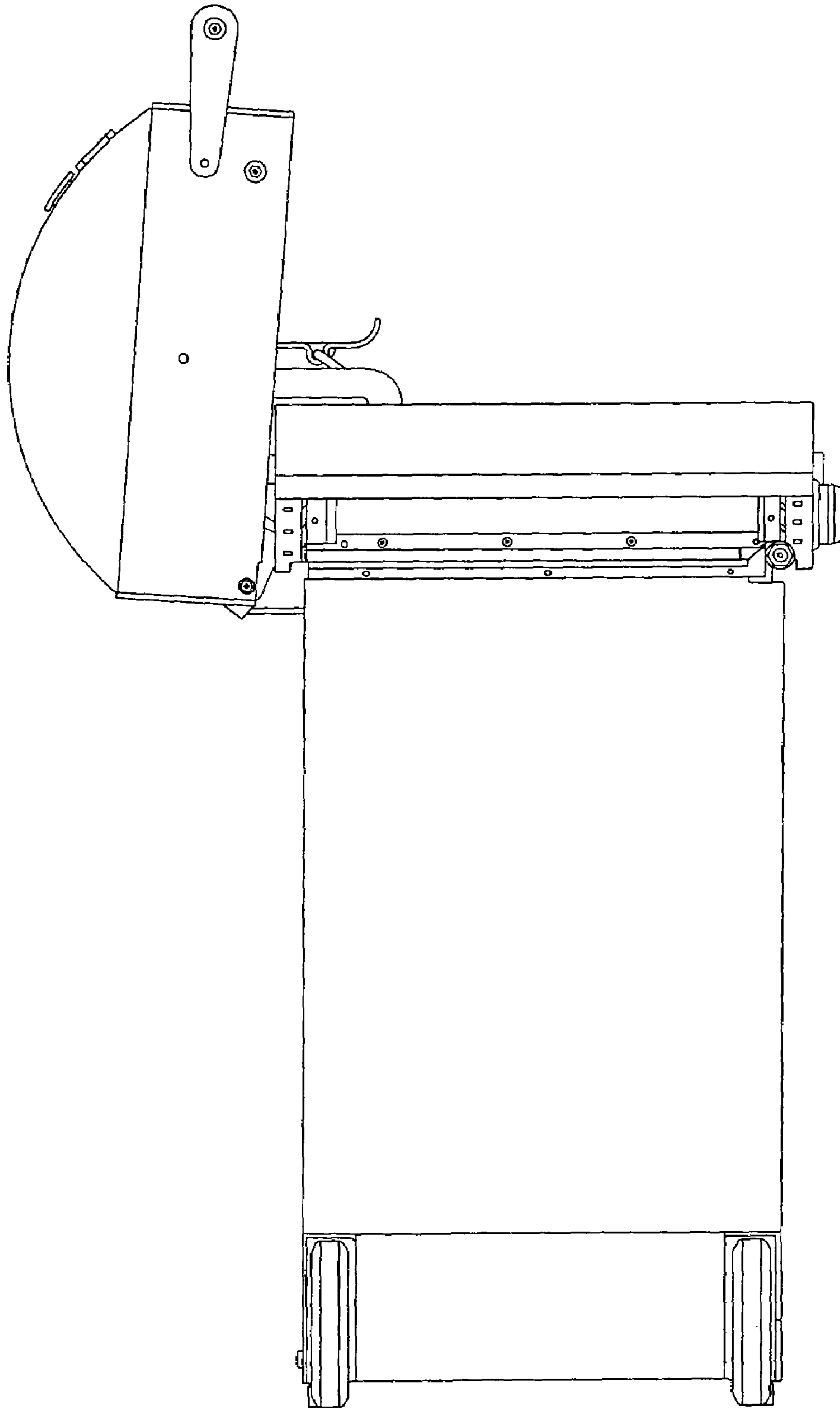


Fig. 10

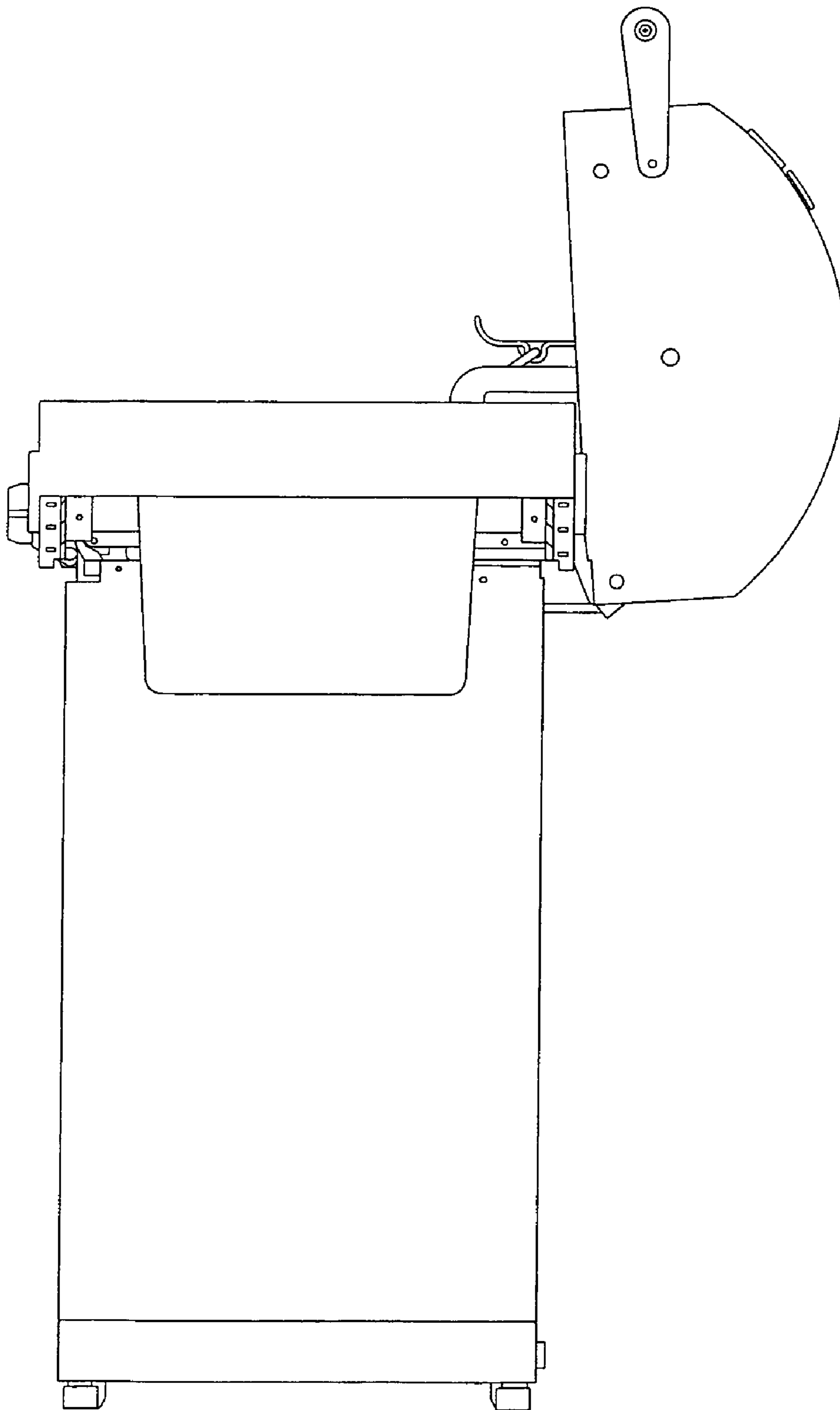


Fig. 11

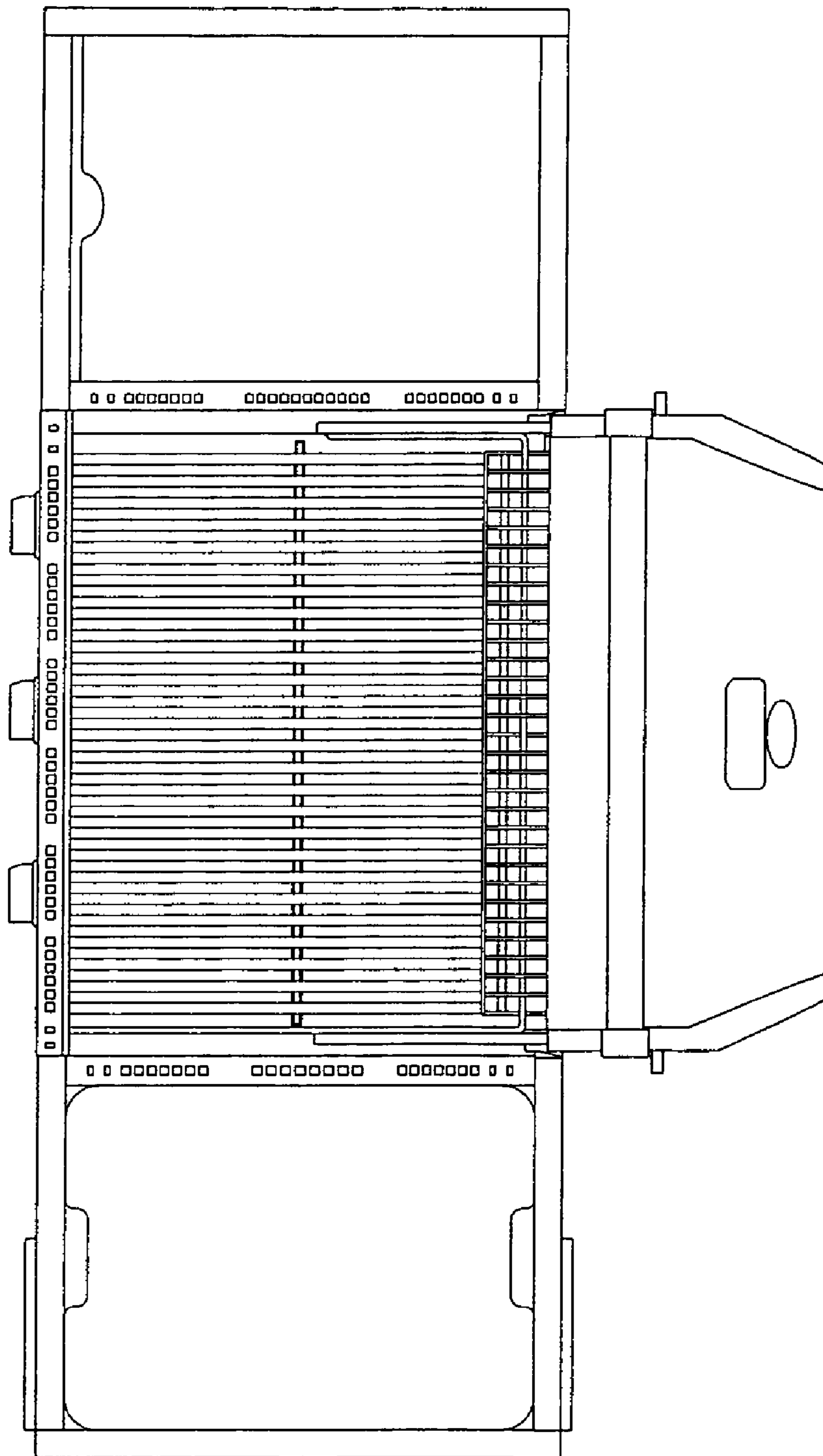


Fig. 12