



US00D551489S

(12) **United States Design Patent**  
**Gondek**

(10) **Patent No.:** **US D551,489 S**

(45) **Date of Patent:** **\*\* Sep. 25, 2007**

(54) **BARBECUE GRILL HAVING RACE CAR STYLING**

D526,834 S \* 8/2006 Chung ..... D7/334

**OTHER PUBLICATIONS**

(75) **Inventor:** **Mark Michael Gondek**, Milwaukee, WI (US)

NASCAR Series Char-Broil Grill. [online]. [retrieved on Mar. 14, 2007]. Retrieved from the Internet: <URL:www.charbroil.com/charbroilwarranty/ConsumerWebsite/ProductSeries.aspx?ProductseriesID=85.\*

(73) **Assignee:** **Char-Broil LLC**, Columbus, GA (US)

\* cited by examiner

(\*\*) **Term:** **14 Years**

*Primary Examiner*—Ruth McInroy

(21) **Appl. No.:** **29/256,473**

(74) *Attorney, Agent, or Firm*—James W. Kayden; Thomas, Kayden, Horstemeyer & Risley, LLP

(22) **Filed:** **Mar. 21, 2006**

(51) **LOC (8) Cl.** ..... **07-02**

(57) **CLAIM**

(52) **U.S. Cl.** ..... **D7/332**

I claim the ornamental design for a barbecue grill having race car styling, as shown and described.

(58) **Field of Classification Search** ..... D7/332,  
D7/337, 402–405; 126/25 A, 25 AA, 9 R,  
126/9 A, 9 B, 38, 37 R, 41 R, 40, 50, 12,  
126/276, 8, 304 R; 99/481–482; 312/249.13,  
312/249.8, 351.2

**DESCRIPTION**

See application file for complete search history.

FIG. 1 is a perspective view of a barbecue grill having race car styling showing my new design;

FIG. 2 is a right side elevational view thereof;

FIG. 3 is a left side elevational view thereof;

FIG. 4 is a front elevational view thereof;

FIG. 5 is a rear elevational view thereof; and

FIG. 6 is a top plan view thereof; and,

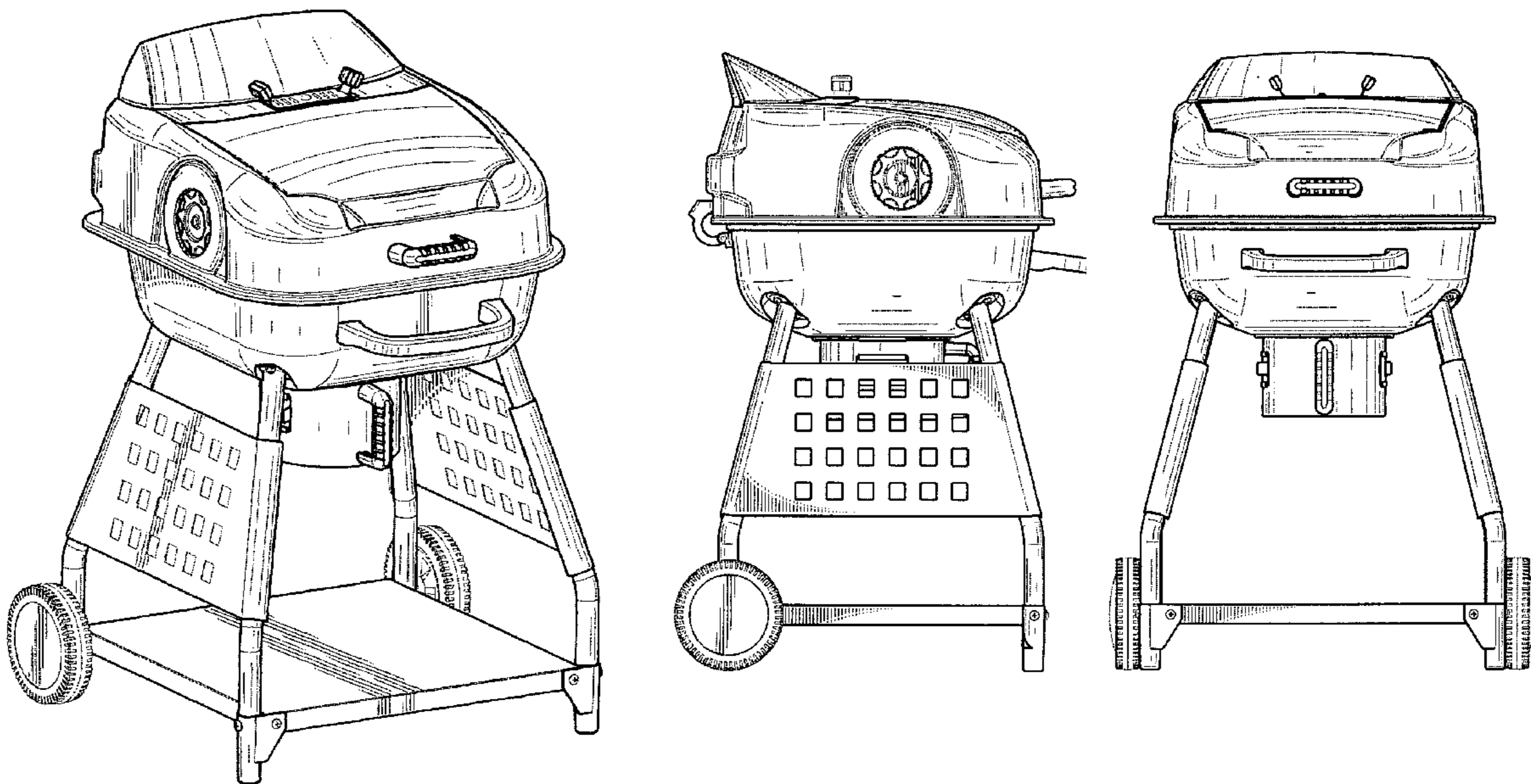
FIG. 7 is a bottom plan view thereof.

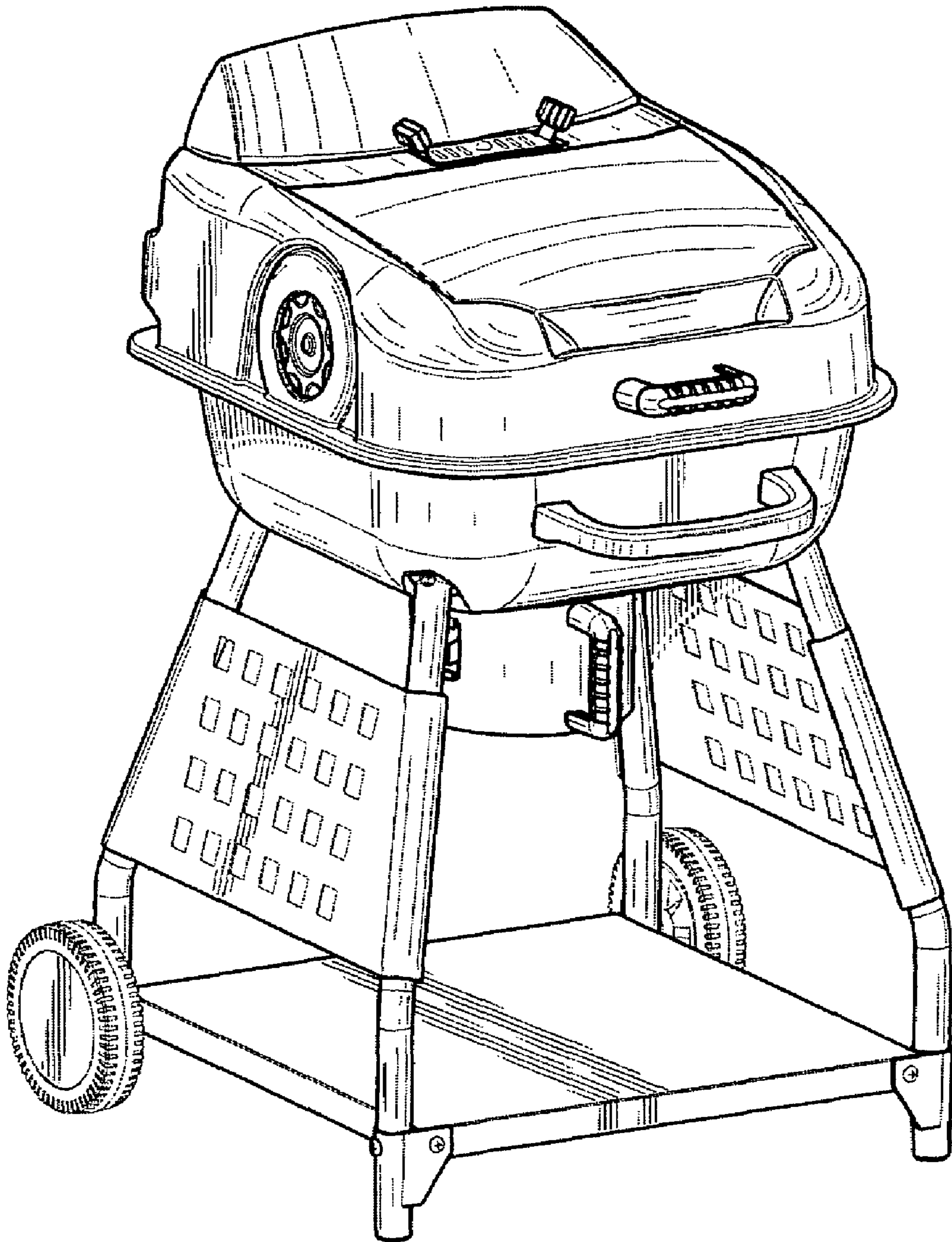
(56) **References Cited**

**U.S. PATENT DOCUMENTS**

- D429,944 S \* 8/2000 Alle ..... D7/332
- D442,818 S \* 5/2001 Cragg ..... D7/334
- D485,115 S \* 1/2004 Barrett ..... D7/332
- D497,076 S \* 10/2004 Sutcliff et al. .... D7/332
- D525,818 S \* 8/2006 Chung ..... D7/332

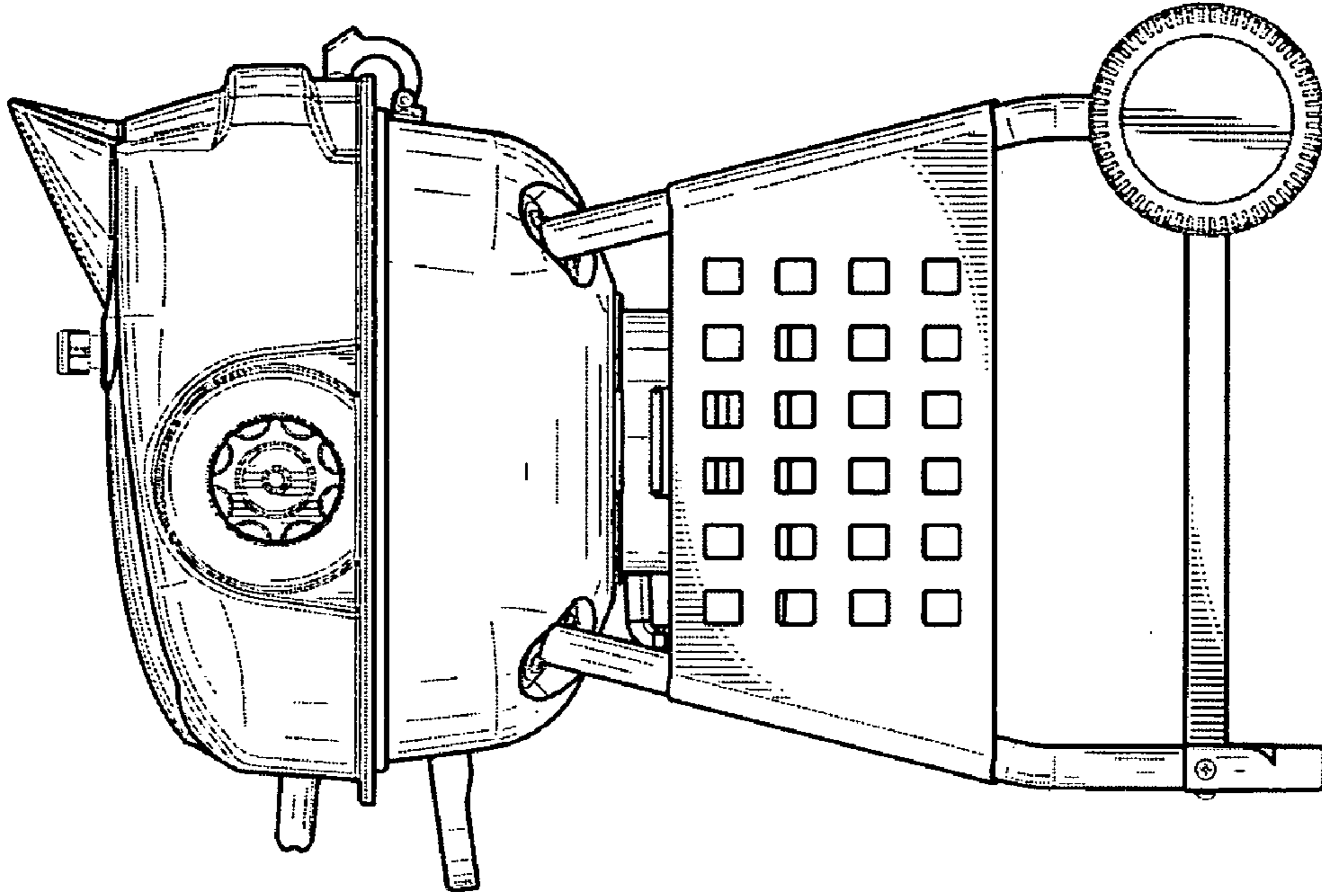
**1 Claim, 4 Drawing Sheets**



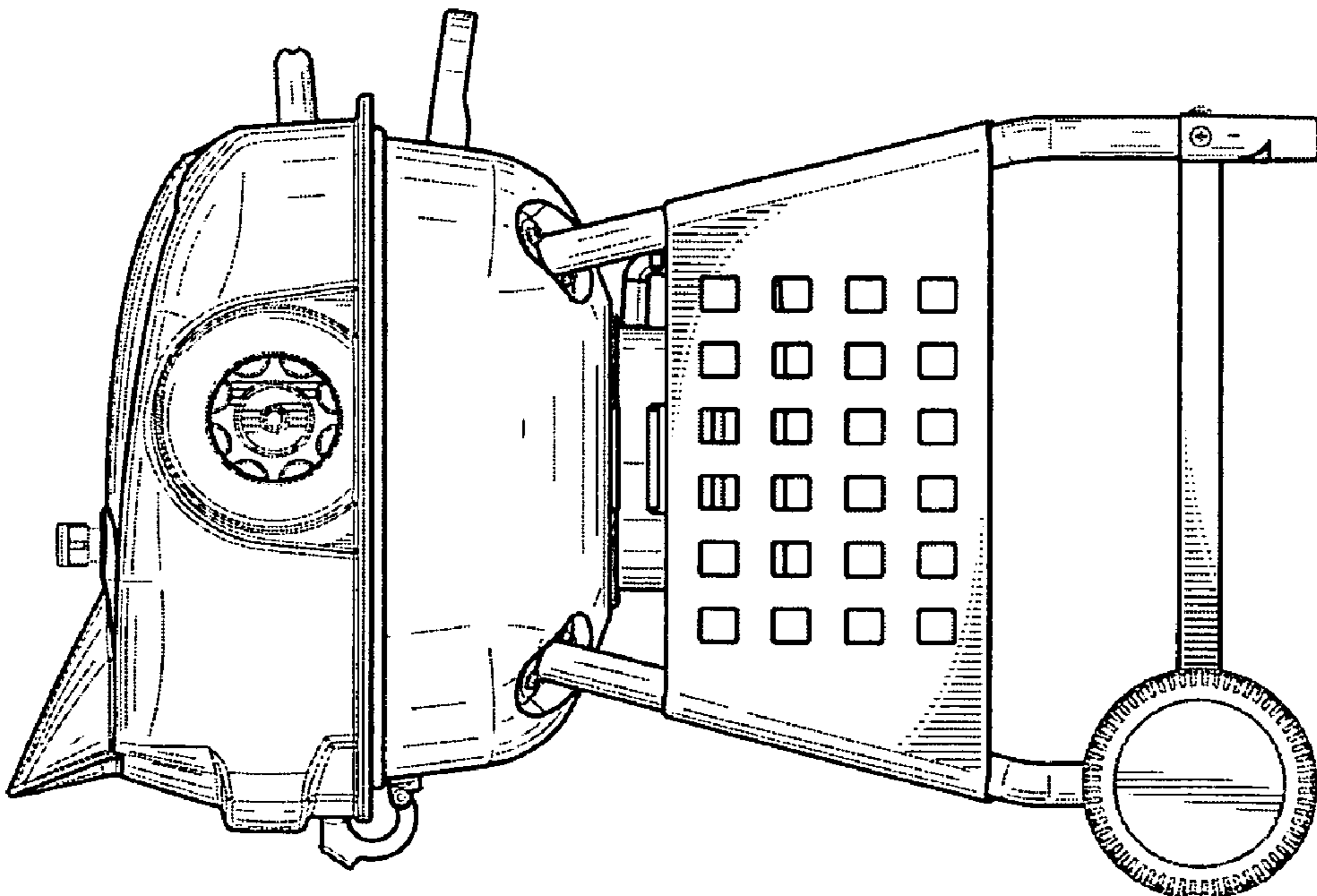


*Fig. 1*

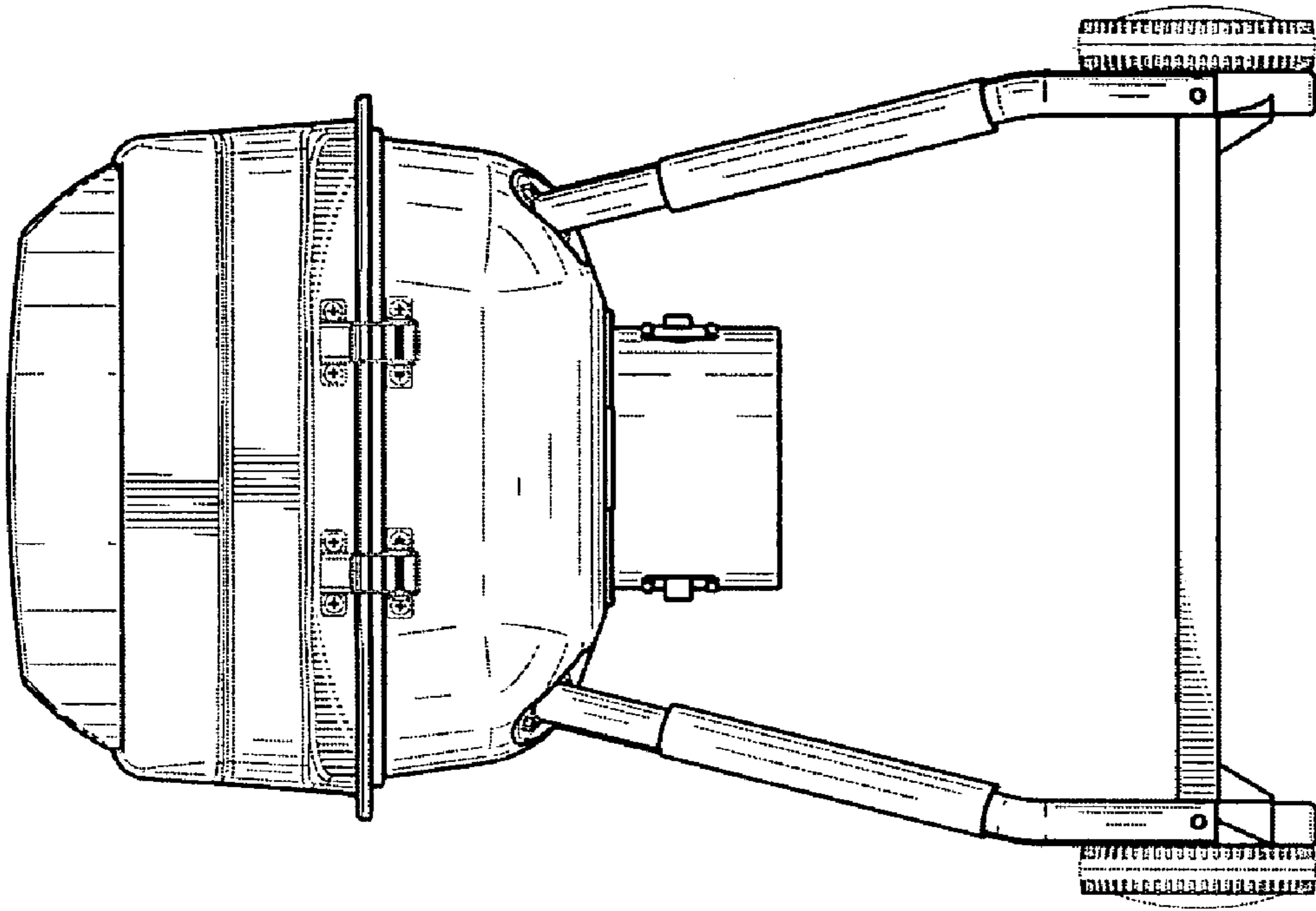




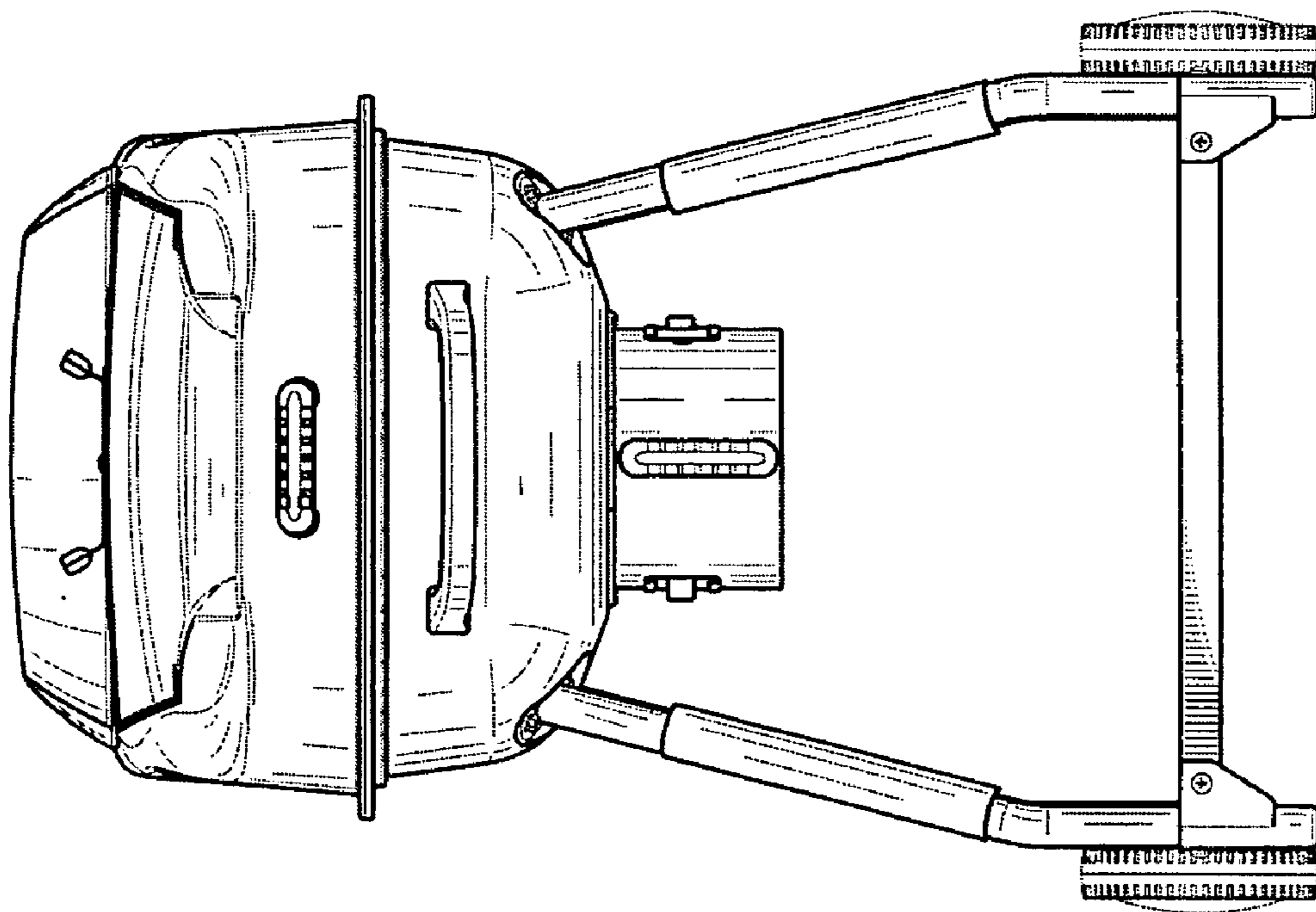
*Fig. 1*



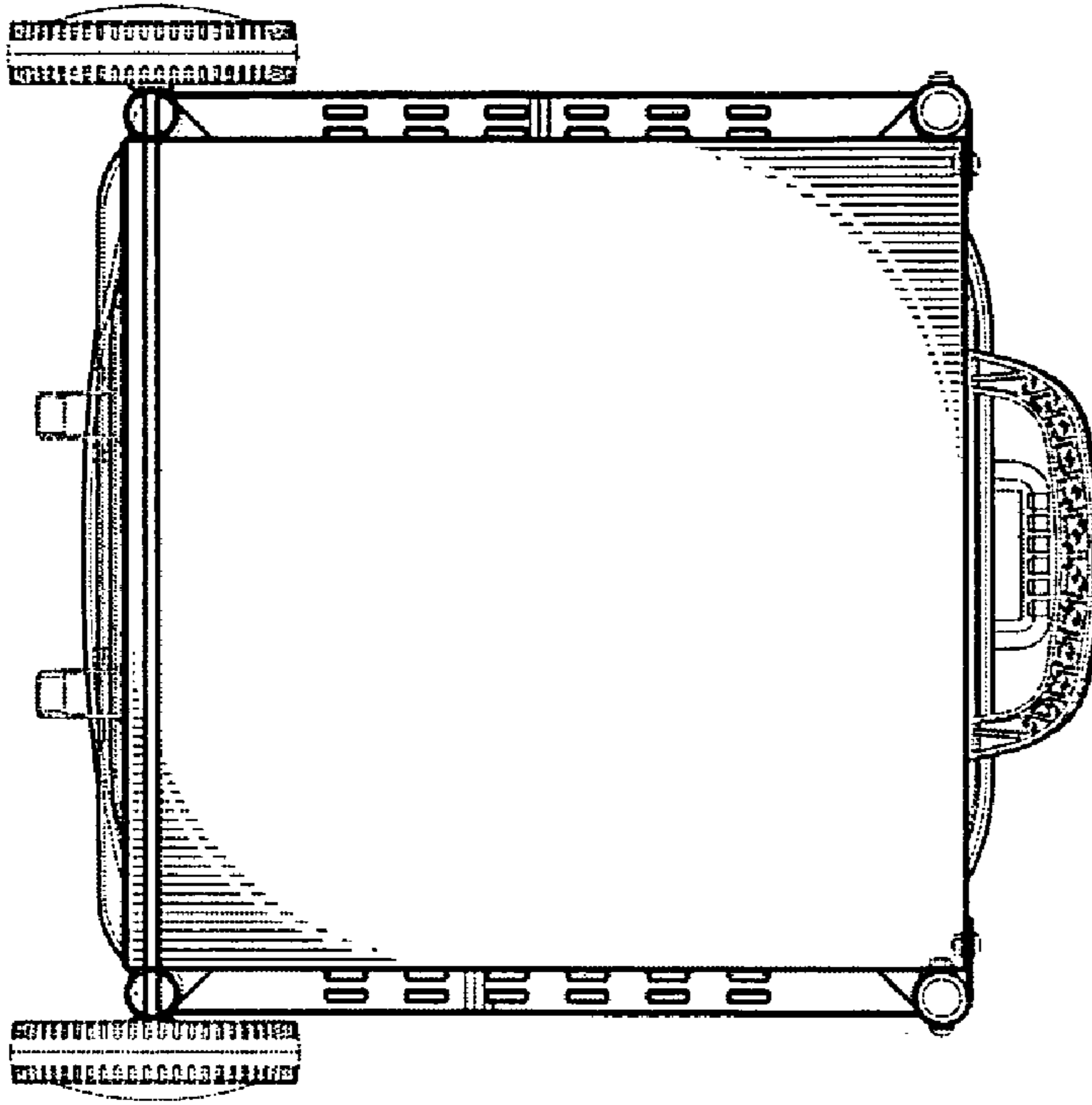
*Fig. 2*



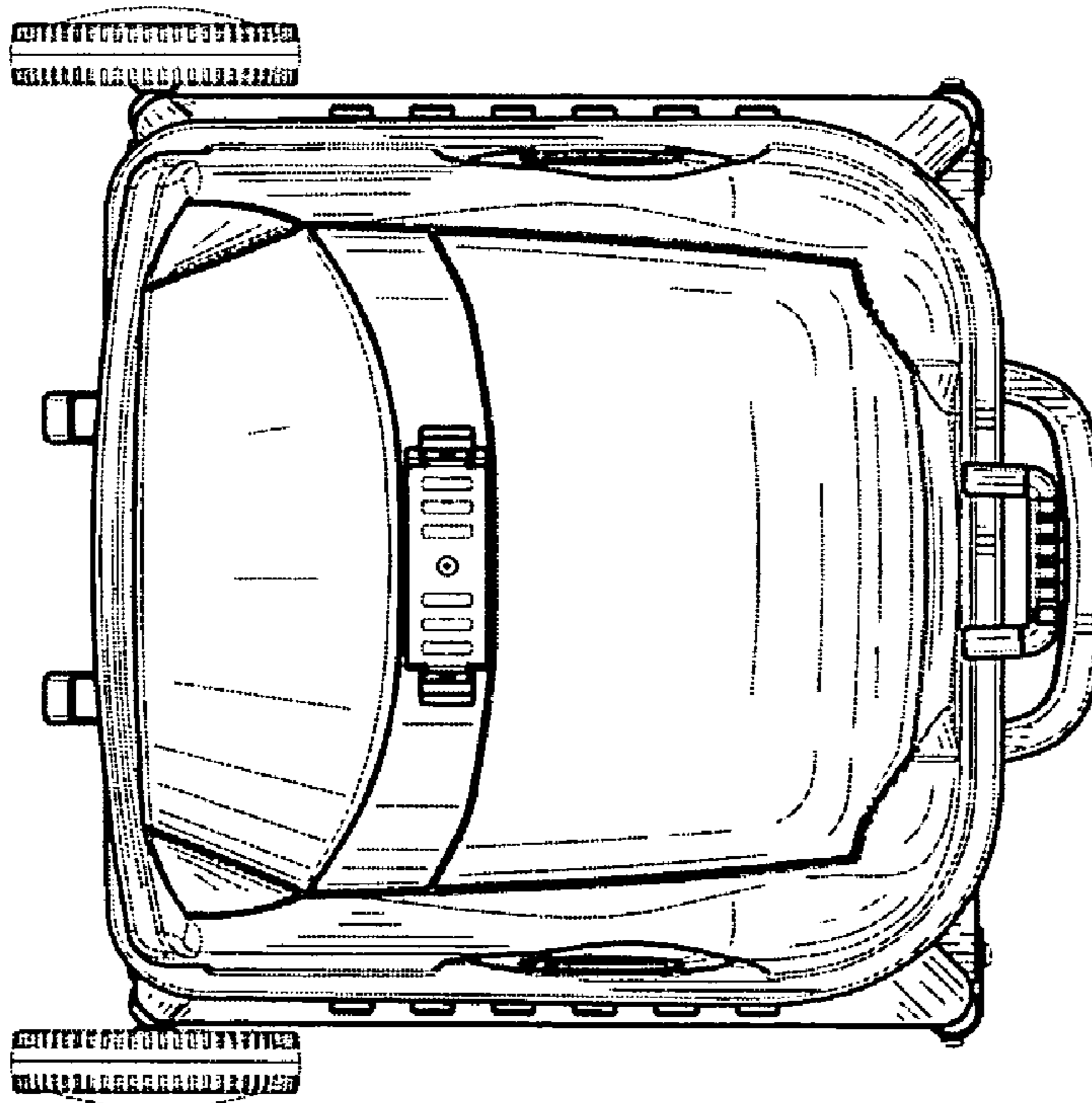
*Fig. 5*



*Fig. 4*



*Fig. 7*



*Fig. 6*