



US00D551487S

(12) **United States Design Patent**  
**Beretta**

(10) **Patent No.:** **US D551,487 S**

(45) **Date of Patent:** **\*\* Sep. 25, 2007**

(54) **EXPRESSO COFFEE MACHINE**

(75) Inventor: **Maurizio Beretta**, Milan (IT)

(73) Assignee: **Gruppo Cimbali S.p.A.**, Milan (IT)

(\*\*) Term: **14 Years**

(21) Appl. No.: **29/239,931**

(22) Filed: **Oct. 6, 2005**

(30) **Foreign Application Priority Data**

Apr. 29, 2005 (EM) ..... 00336698

(51) **LOC (8) Cl.** ..... **07-01**

(52) **U.S. Cl.** ..... **D7/309; D7/311; D7/307;**  
**D7/308**

(58) **Field of Classification Search** ..... **D7/309-311,**  
**D7/306-308; D20/4, 8; 99/279, 300, 304,**  
**99/305**

See application file for complete search history.

(56) **References Cited**

**U.S. PATENT DOCUMENTS**

D302,369 S *	7/1989	Schechter et al. ....	D7/308
D311,844 S *	11/1990	Chase et al. ....	D7/308
D313,724 S *	1/1991	Pinon .....	D7/308
D343,332 S *	1/1994	Schroeder et al. ....	D7/308
D395,975 S *	7/1998	Munoz .....	D7/308
D417,580 S *	12/1999	Fusi .....	D7/309

D439,788 S *	4/2001	Bettini .....	D7/309
D448,600 S *	10/2001	Sandor et al. ....	D7/307
D463,945 S *	10/2002	Sandor et al. ....	D7/307
D465,119 S *	11/2002	Strandell et al. ....	D7/307
D476,842 S *	7/2003	Cortese .....	D7/309
D490,265 S *	5/2004	Claassen .....	D7/308
D497,510 S *	10/2004	Comorera Ivanov .....	D7/307
6,862,978 B1 *	3/2005	Fogagnolo .....	99/279
D515,862 S *	2/2006	Pighetti .....	D7/309

\* cited by examiner

*Primary Examiner*—M. N. Pandozzi

(74) *Attorney, Agent, or Firm*—Notaro & Michalos PC

(57) **CLAIM**

The ornamental design for an espresso coffee machine, as shown and described.

**DESCRIPTION**

FIG. 1 is a front top right perspective view of an espresso coffee machine showing my/our design therefor;

FIG. 2 is a right side elevational view thereof;

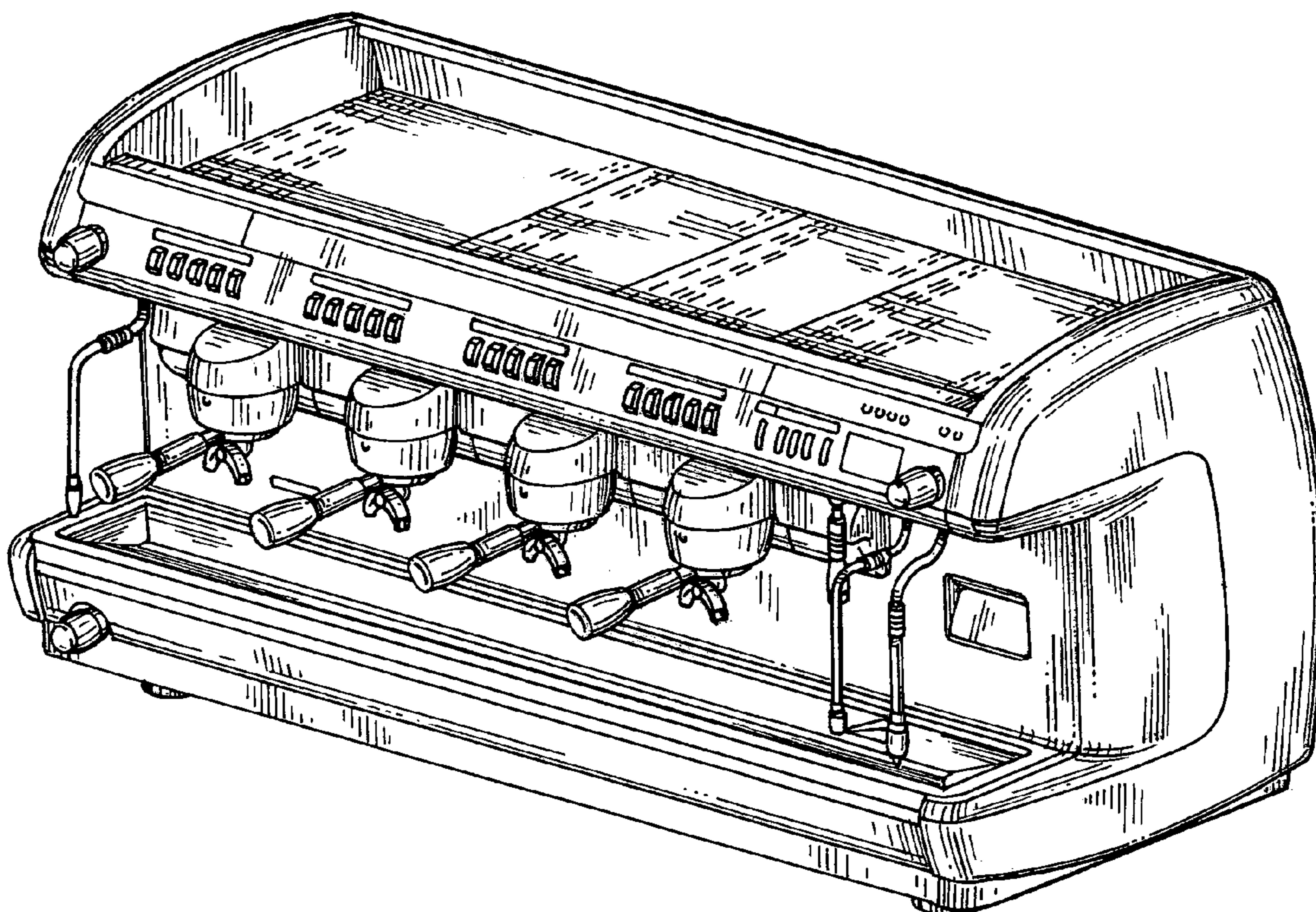
FIG. 3 is a left side elevational view thereof;

FIG. 4 is a front elevational view thereof;

FIG. 5 is a front top perspective view thereof; and,

FIG. 6 is a front and bottom perspective view thereof.

**1 Claim, 6 Drawing Sheets**



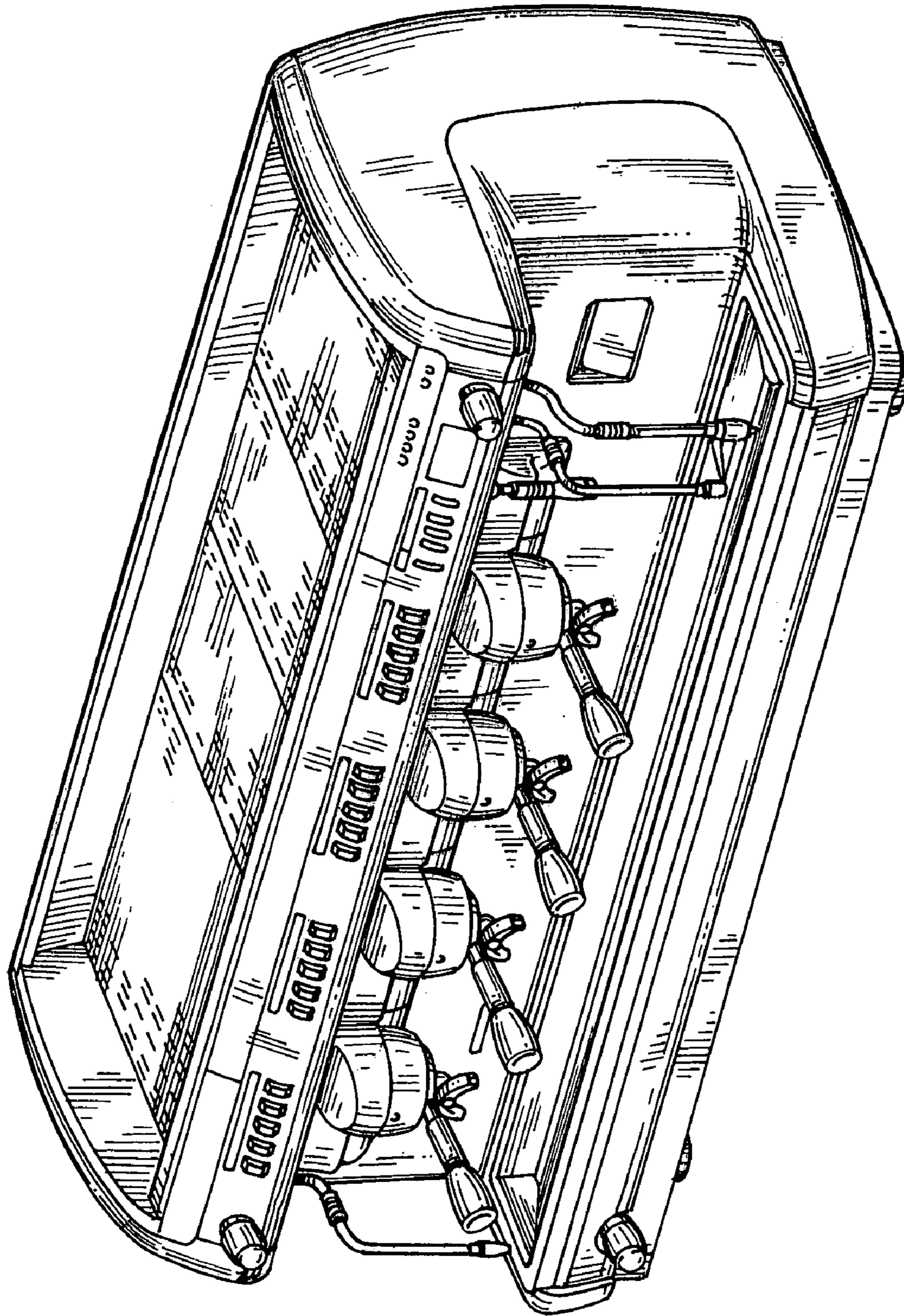


FIG. 1

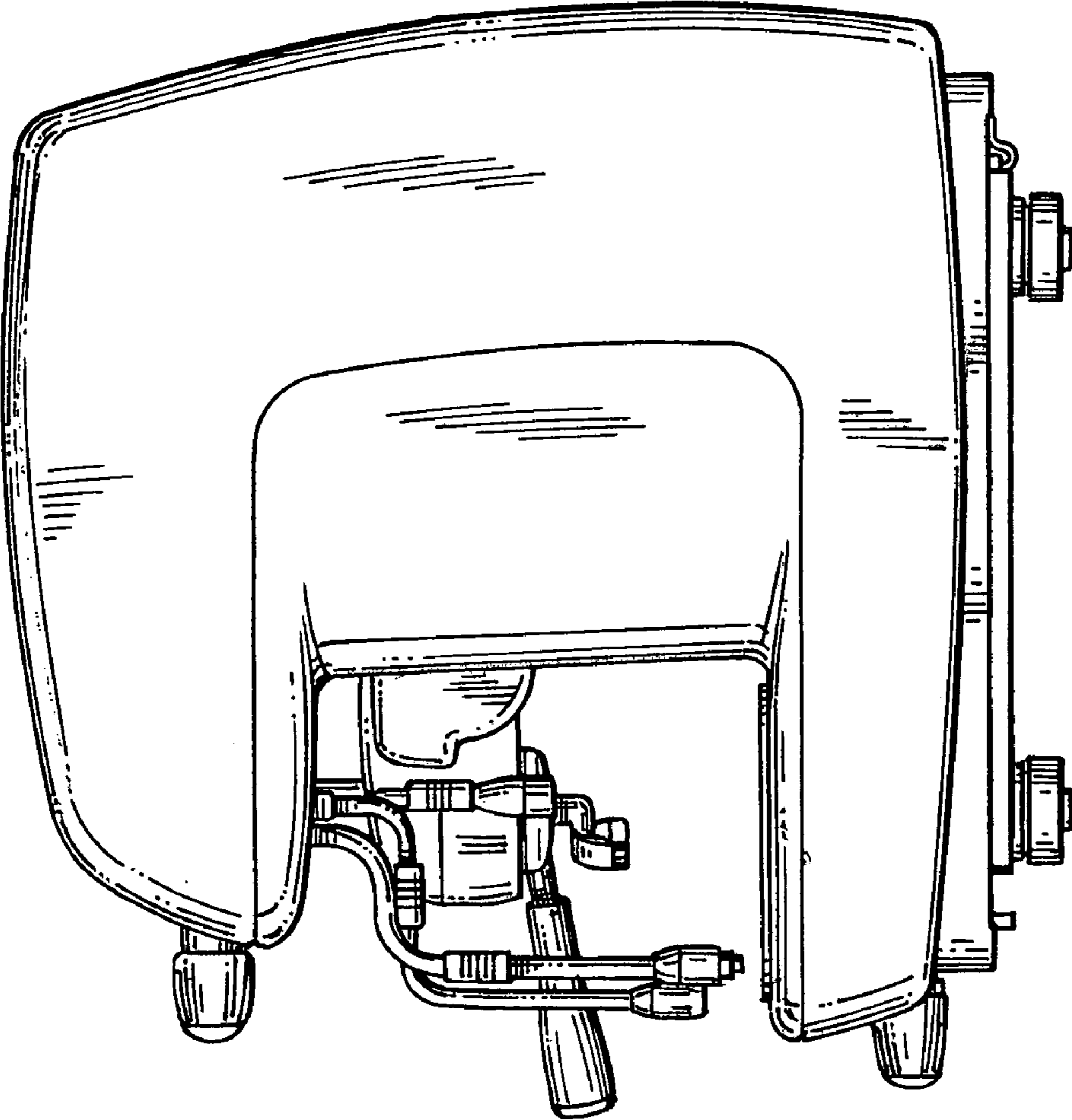


FIG. 2

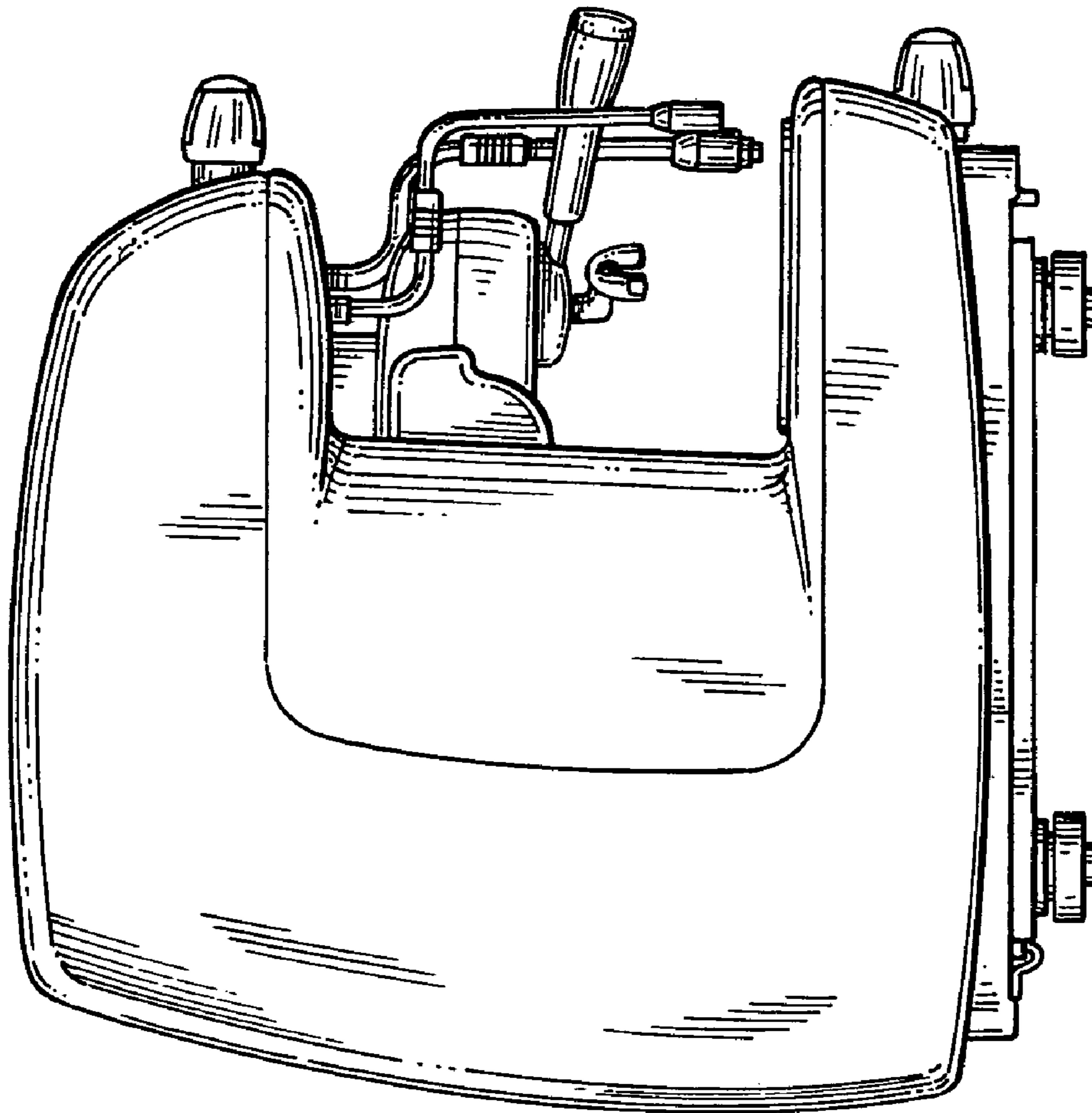


FIG. 3

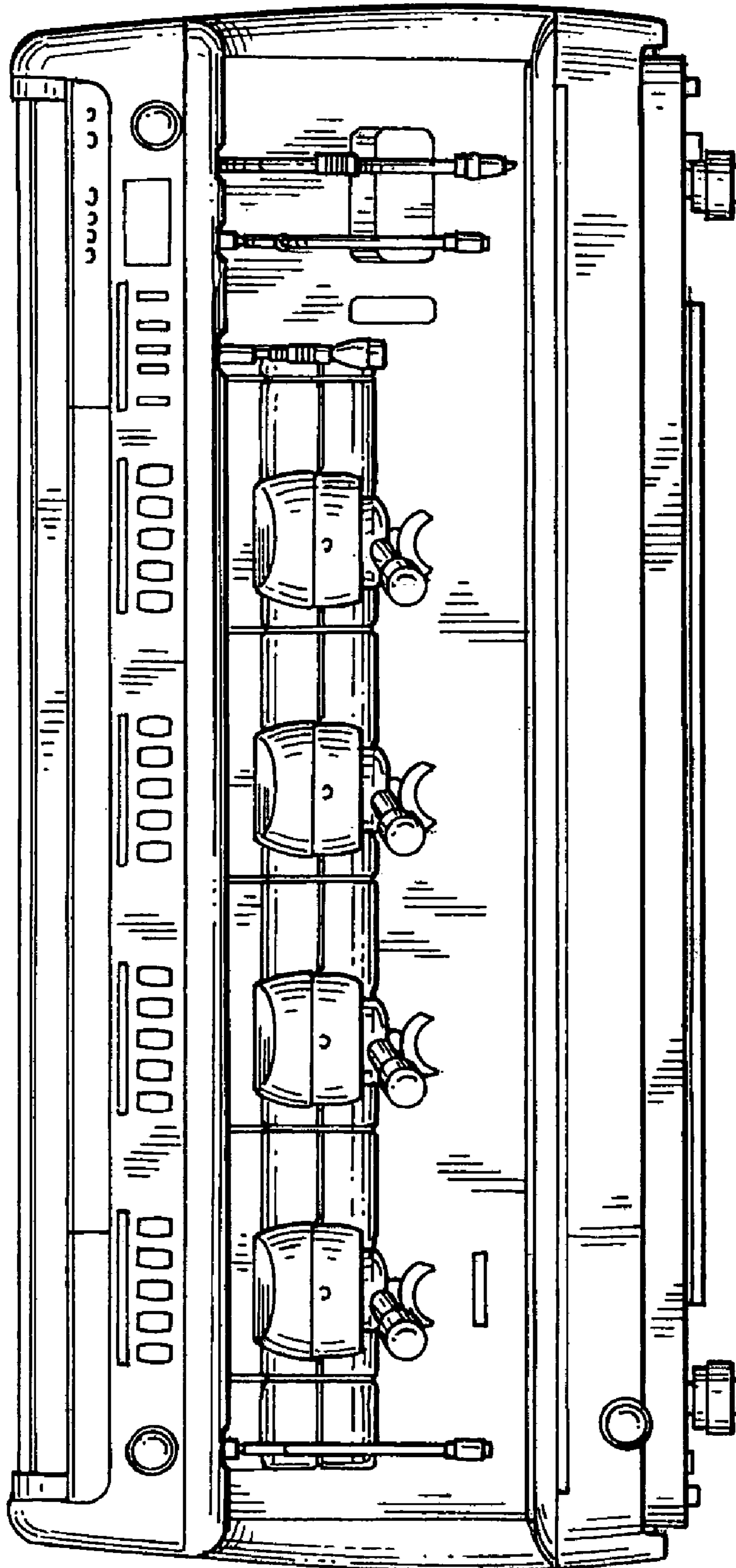


FIG. 4

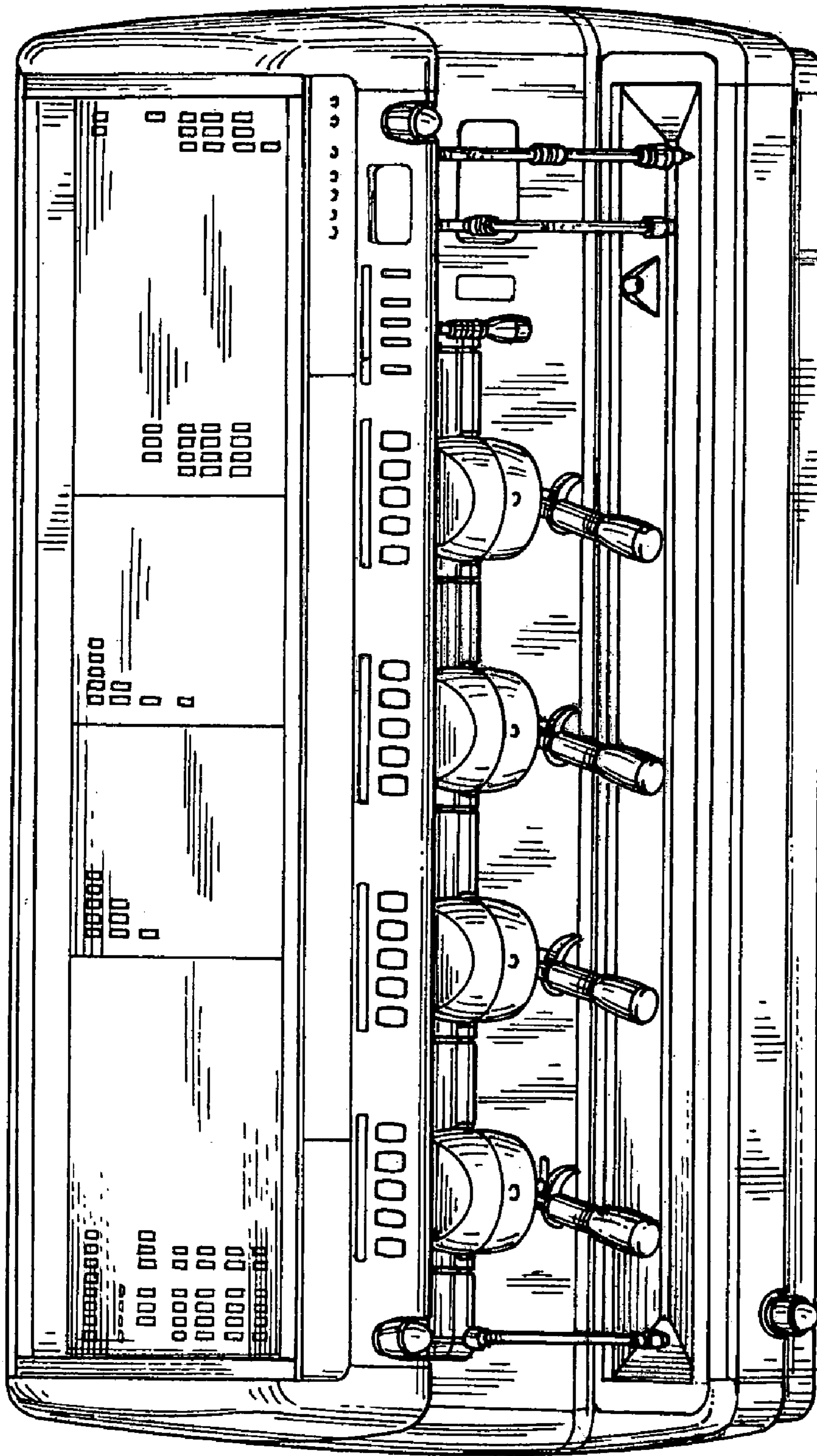


FIG. 5

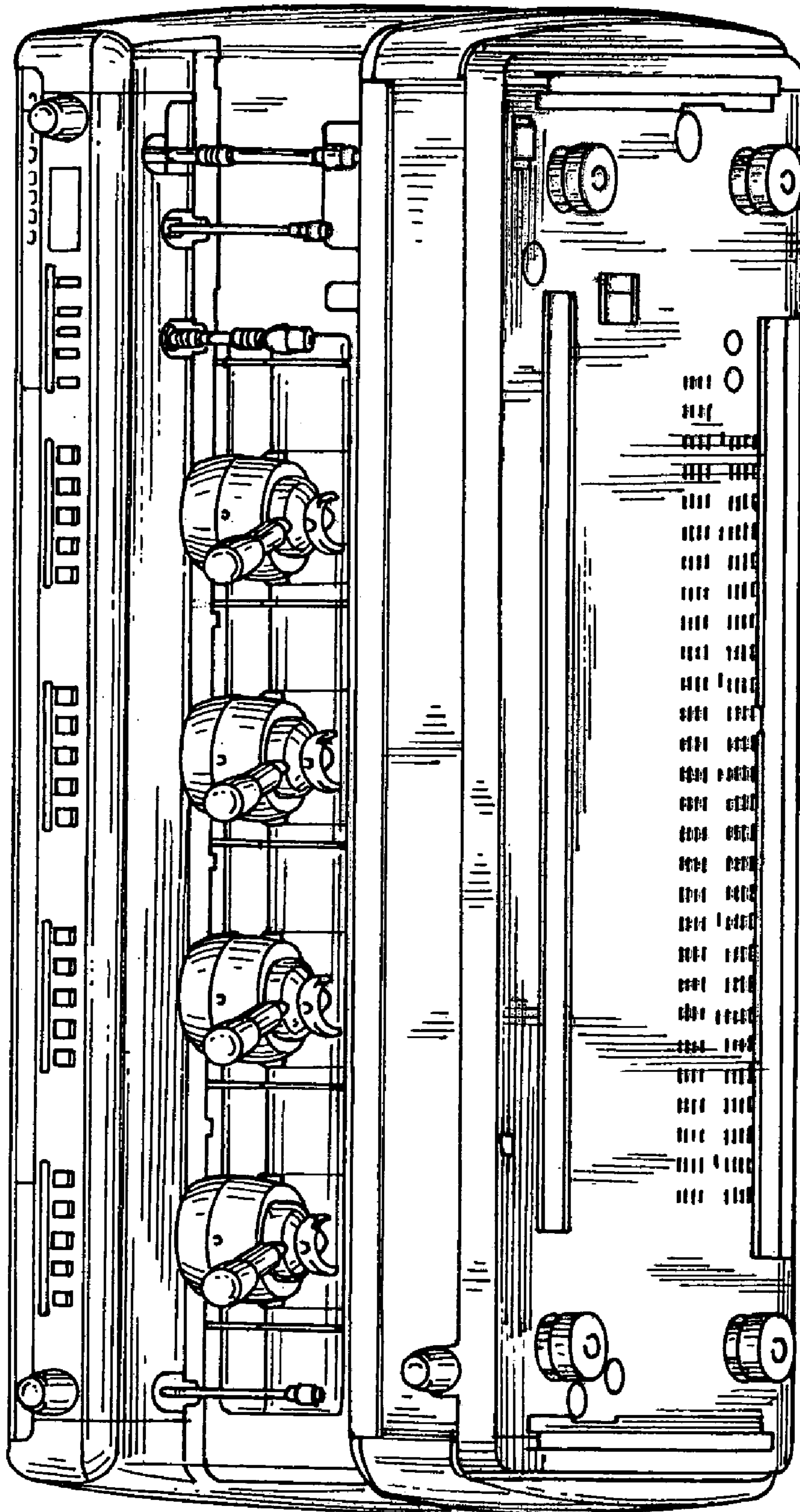


FIG. 6