



US00D551485S

(12) **United States Design Patent**  
**Hussaini et al.**

(10) **Patent No.:** **US D551,485 S**

(45) **Date of Patent:** **\*\* Sep. 25, 2007**

(54) **STORAGE CASE FOR VIDEO GAME  
CARTRIDGES**

(75) Inventors: **Saied Hussaini**, Miami, FL (US); **Marc  
Iacovelli**, Miami, FL (US)

(73) Assignee: **Intec, Inc.**, Miami Gardens, FL (US)

(\*\*) Term: **14 Years**

(21) Appl. No.: **29/244,500**

(22) Filed: **Dec. 12, 2005**

(51) **LOC (8) Cl.** ..... **06-01**

(52) **U.S. Cl.** ..... **D6/634**

(58) **Field of Classification Search** ..... D6/407,  
D6/626-635; 206/209, 310-313, 751; 211/40,  
211/41.1, 41.12, 126.1; D14/435, 436, 299,  
D14/478, 479, 483, 474, 477, 363, 364-366,  
D14/368; D9/420; D3/271.12, 219, 328,  
D3/273, 294, 295, 299, 300, 301, 303; D19/75  
See application file for complete search history.

(56) **References Cited**

**U.S. PATENT DOCUMENTS**

D287,545 S \* 1/1987 Long et al. .... D6/630  
D303,873 S \* 10/1989 Brusing ..... D6/630  
D321,283 S \* 11/1991 Melk ..... D3/319  
D335,574 S \* 5/1993 Roskvist et al. .... D6/634  
D378,721 S \* 4/1997 Ramsey et al. .... D6/634

5,791,468 A \* 8/1998 House ..... 206/308.1  
5,833,062 A \* 11/1998 Yeh ..... 206/307.1  
D409,431 S \* 5/1999 Chininis et al. .... D6/630  
D427,476 S \* 7/2000 Chan ..... D6/634  
6,659,272 B2 \* 12/2003 Bellin et al. .... 206/232

\* cited by examiner

*Primary Examiner*—Ian Simmons

*Assistant Examiner*—Charles Hanson

(74) *Attorney, Agent, or Firm*—Berenato, White & Stavish

(57) **CLAIM**

The ornamental design for a storage case for video game cartridges, as shown and described.

**DESCRIPTION**

FIG. 1 is a perspective view of a storage case for video game cartridges showing our new design;  
FIG. 2 is a front view thereof;  
FIG. 3 is a rear view thereof;  
FIG. 4 is a right side view thereof;  
FIG. 5 is a left side view thereof;  
FIG. 6 is a top view thereof;  
FIG. 7 is a bottom view thereof; and,  
FIG. 8 is a perspective view thereof, in an open position.

**1 Claim, 5 Drawing Sheets**

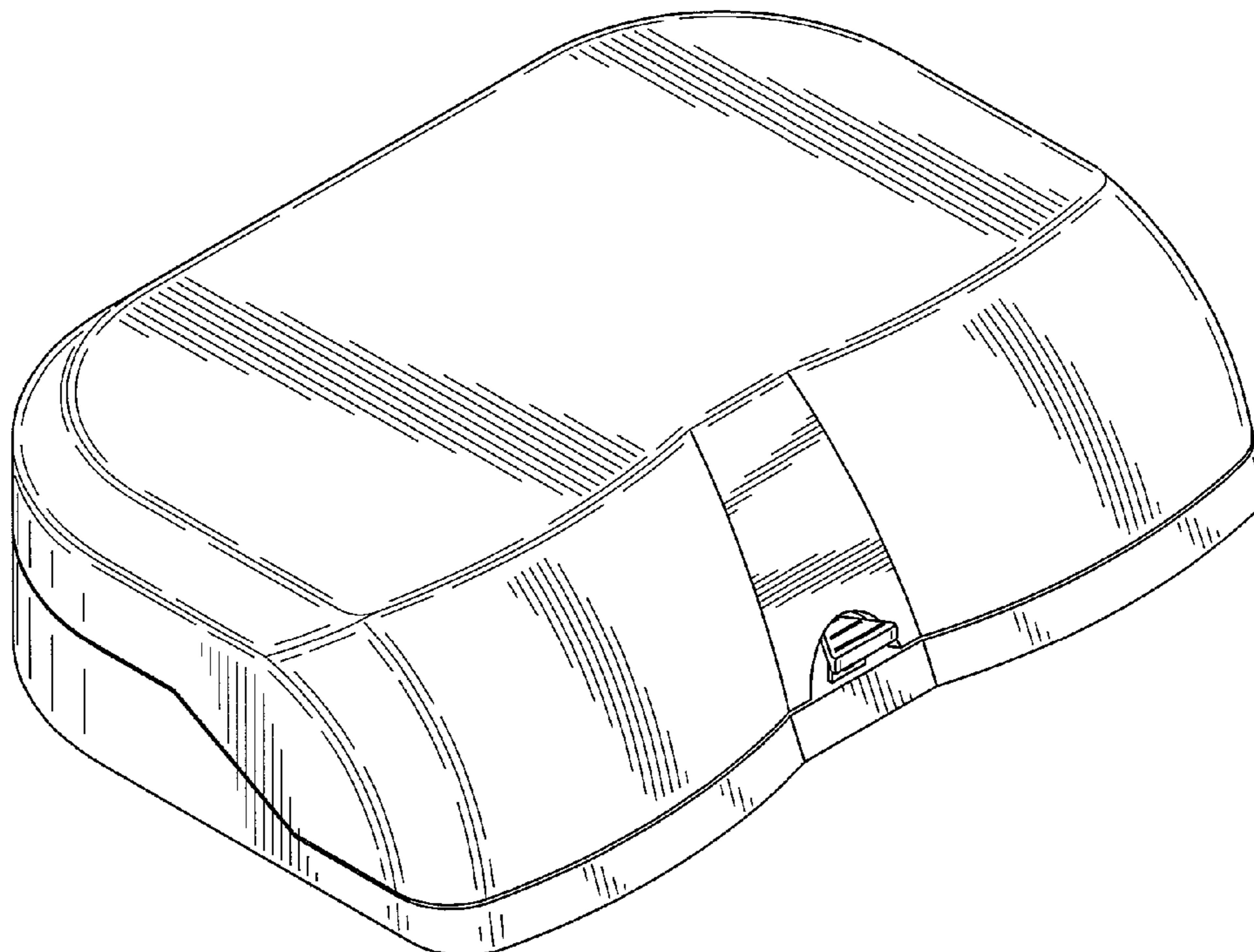


Fig. 1

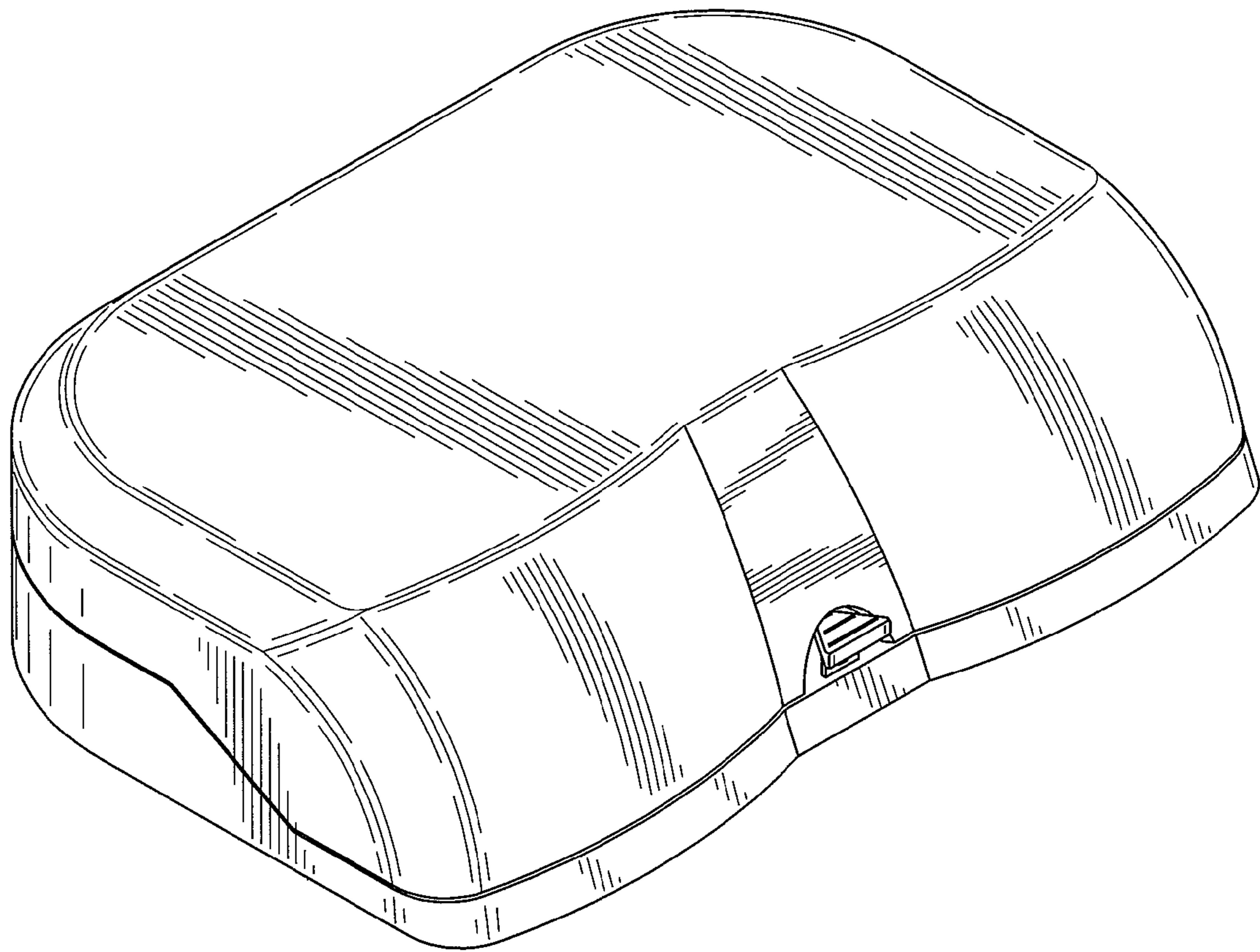


Fig. 2

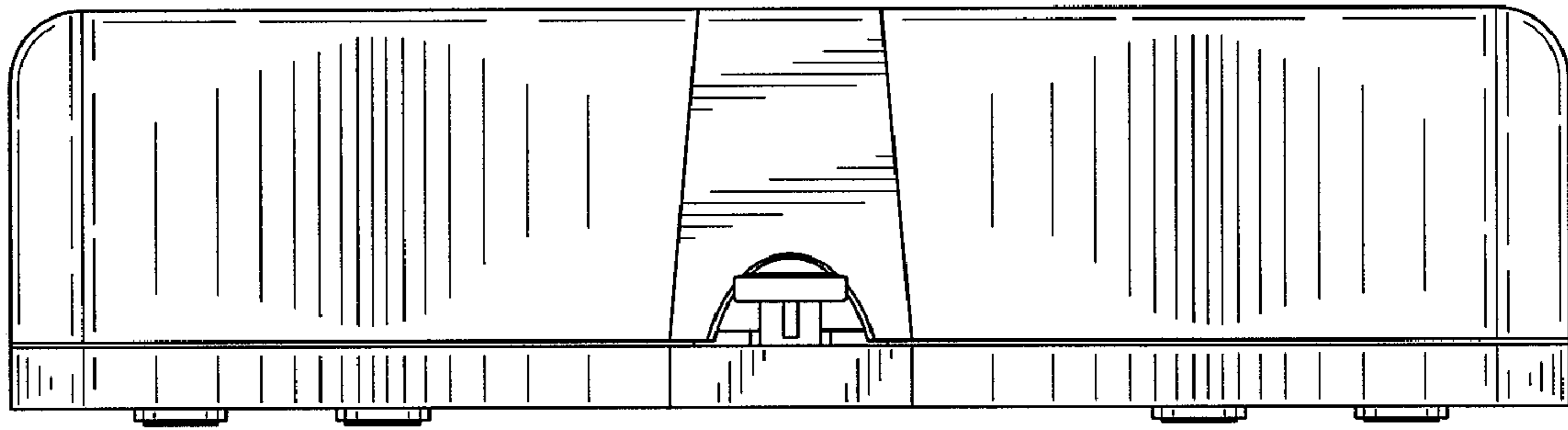


Fig. 3

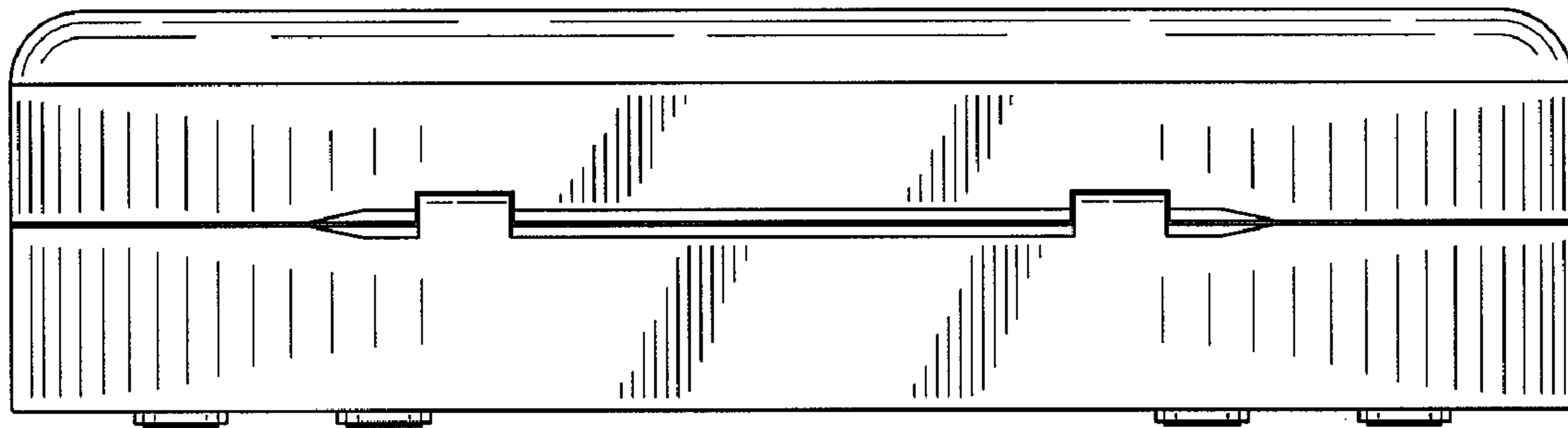


Fig. 4

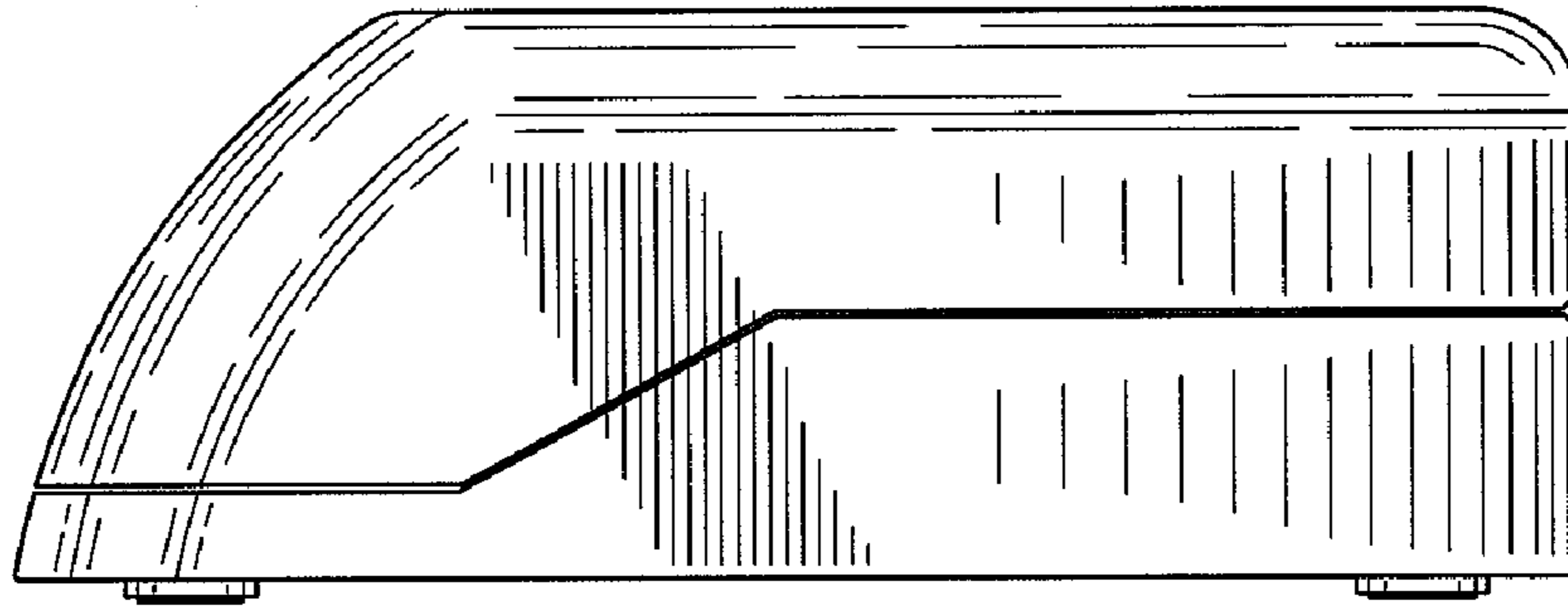


Fig. 5

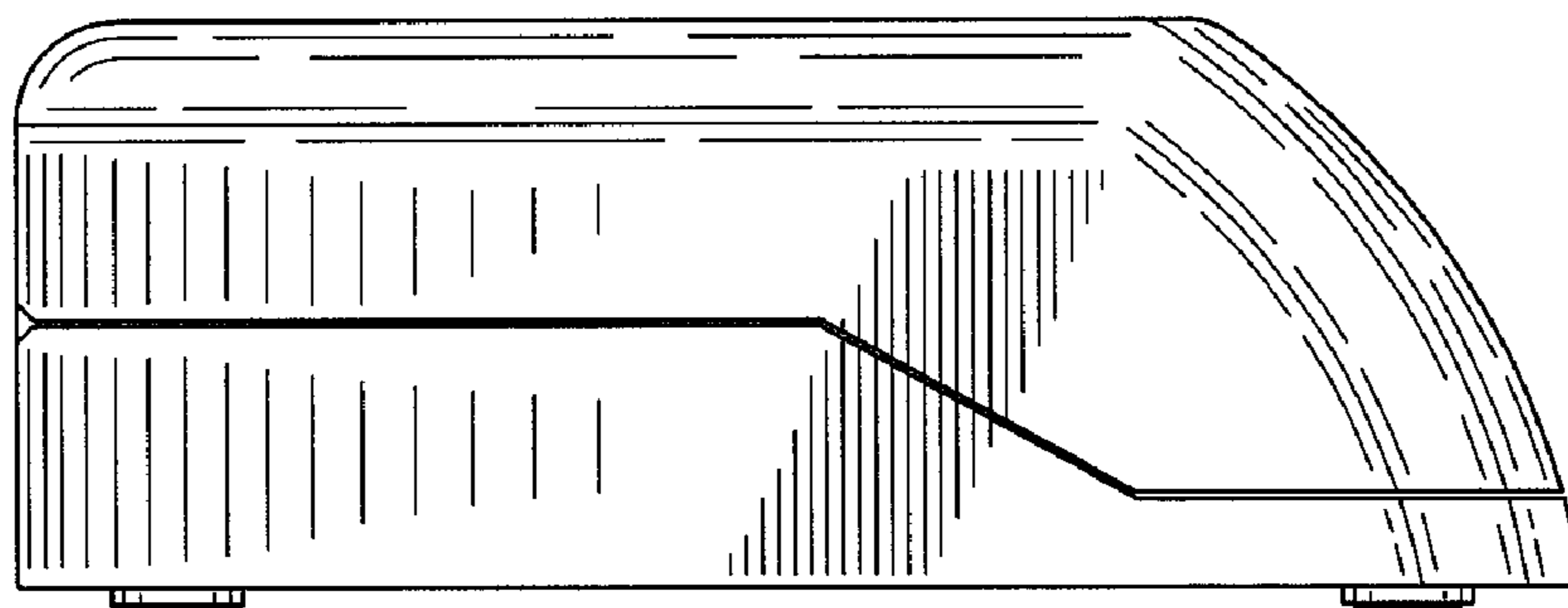


Fig. 6

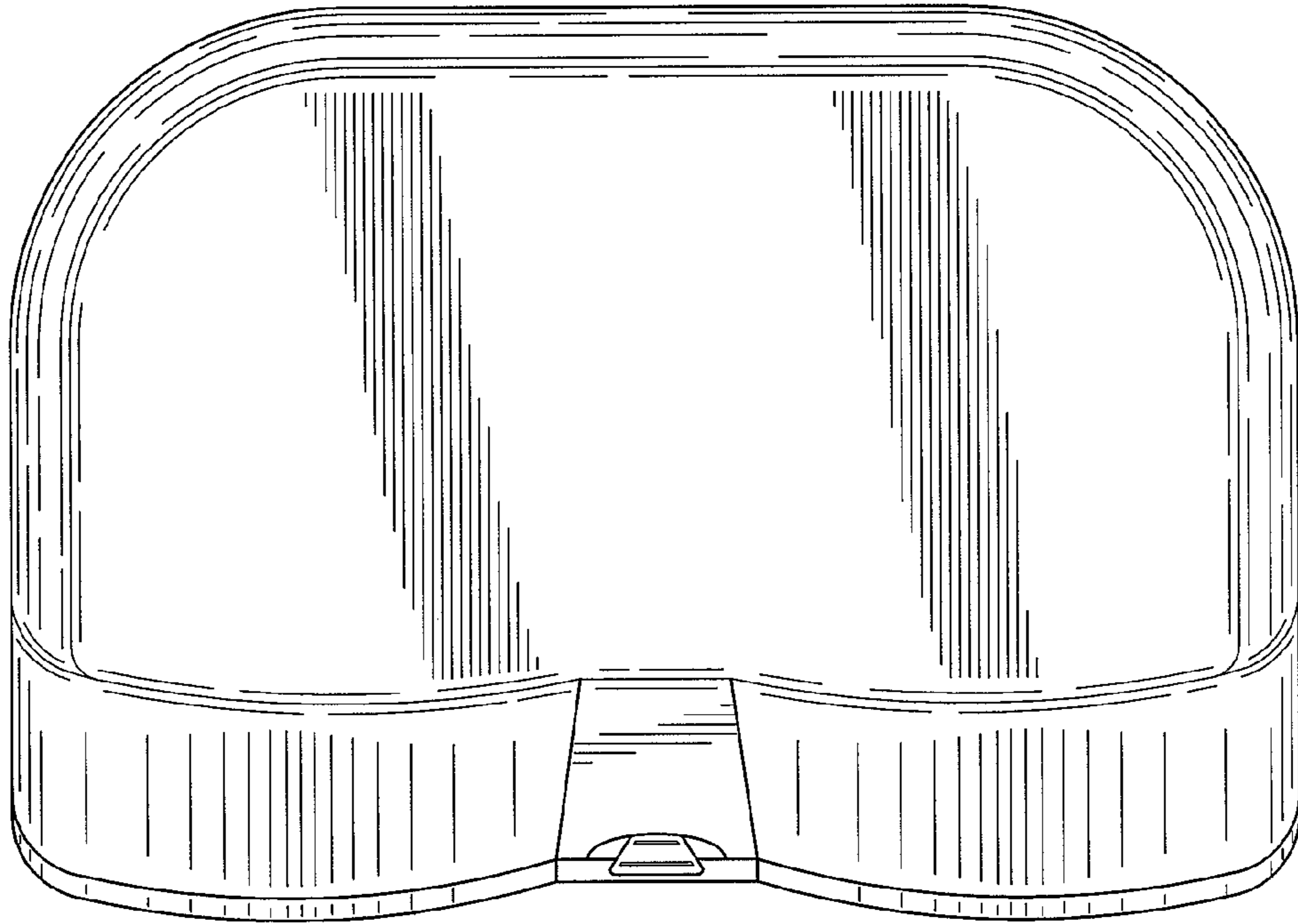


Fig. 7

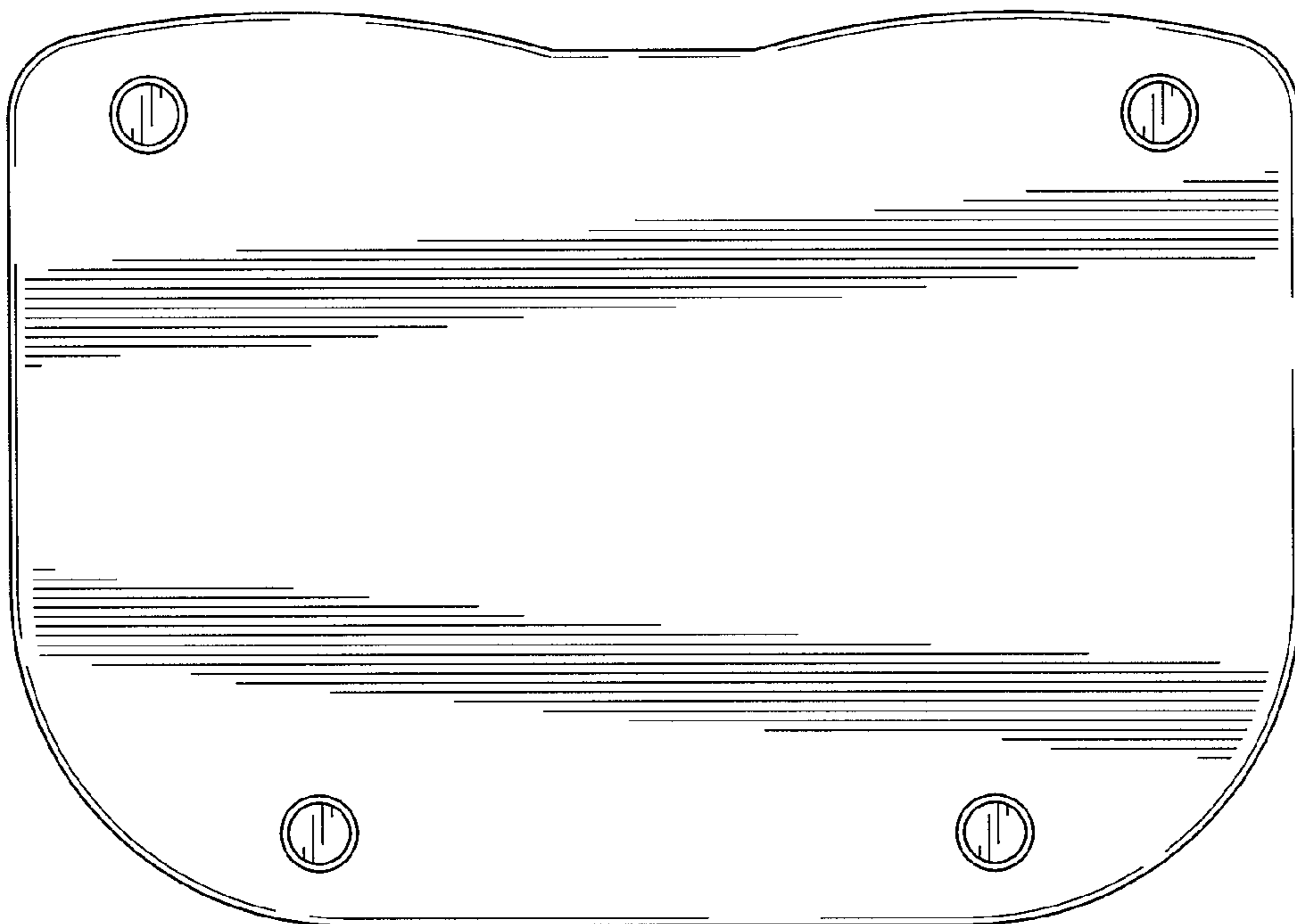


Fig. 8

