



US00D551480S

(12) **United States Design Patent**
Dretzka

(10) **Patent No.:** **US D551,480 S**

(45) **Date of Patent:** **** Sep. 25, 2007**

(54) **BOWL BRUSH BASE**

(75) Inventor: **Philip C. Dretzka**, Cleveland, OH (US)

(73) Assignee: **InterDesign, Inc.**, Solon, OH (US)

(**) Term: **14 Years**

(21) Appl. No.: **29/251,552**

(22) Filed: **Jan. 10, 2006**

(51) **LOC (8) Cl.** **06-04**

(52) **U.S. Cl.** **D6/551**

(58) **Field of Classification Search** D6/524,
D6/525, 551; 312/206, 207; 206/207, 349,
206/361; 4/255.05, 255.11

See application file for complete search history.

(56) **References Cited**

U.S. PATENT DOCUMENTS

D264,782 S	6/1982	Thompson	
D315,989 S	4/1991	Levien	
D329,775 S	9/1992	Murphy	
D368,820 S	4/1996	Sander	
D393,167 S	4/1998	Bussa	
D407,933 S	4/1999	Douglas	
D424,306 S	5/2000	Strum et al.	
D453,888 S	2/2002	Gottwald	
D457,782 S	5/2002	Snell	
D458,068 S	6/2002	Hillman	
D465,957 S *	11/2002	Driscoll et al. D6/551
D467,112 S	12/2002	Lin	
D467,457 S	12/2002	Lin	
D472,427 S	4/2003	Dretzka	
D481,574 S	11/2003	Snell	
D483,590 S	12/2003	Dretzka	

D483,591 S *	12/2003	Dretzka D6/551
D484,723 S	1/2004	Snell	
D499,593 S *	12/2004	Berti D6/551
D511,062 S *	11/2005	Lai D6/524
D530,959 S *	10/2006	Snell D6/551

OTHER PUBLICATIONS

bath housewares storage 2005, InterDesign, Inc. brochure, p. 30 w/front and back cover.

2006 InterDesign, Inc. product brochure, p. 30 w/front and back cover.

bath storage housewares 2002, InterDesign, Inc. brochure, p. 13 w/front and back cover.

* cited by examiner

Primary Examiner—Brian N Vinson

(74) *Attorney, Agent, or Firm*—D. Peter Hochberg; Sean Mellino

(57) **CLAIM**

The ornamental design for a bowl brush base, as shown and described.

DESCRIPTION

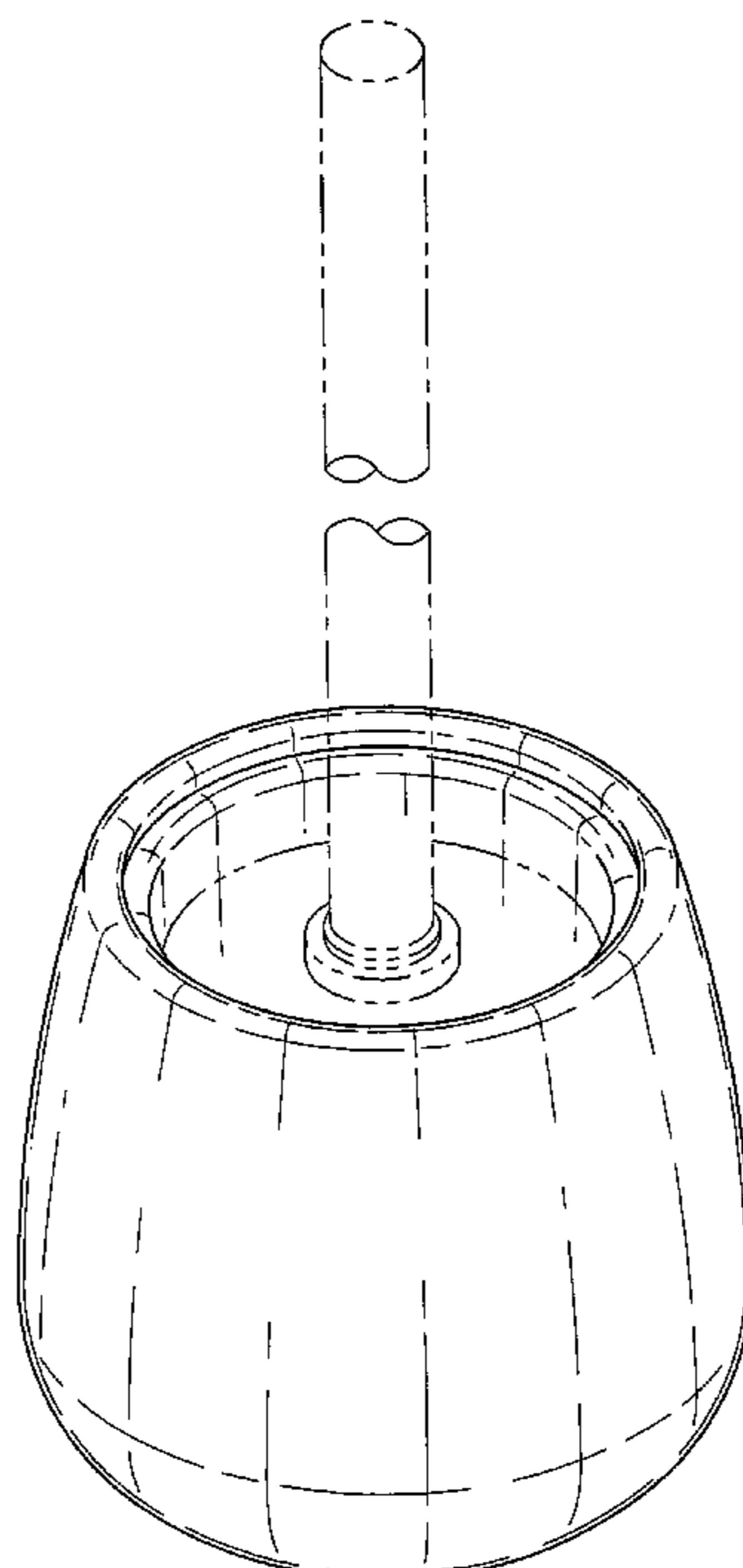
FIG. 1 is a perspective view of the bowl brush base according to the invention;

FIG. 2 is a front view of the bowl brush base as shown in FIG. 1;

FIG. 3 is a top view of the bowl brush base as shown in FIG. 1; and,

FIG. 4 is a bottom view of the bowl brush base as shown in FIG. 1.

1 Claim, 3 Drawing Sheets



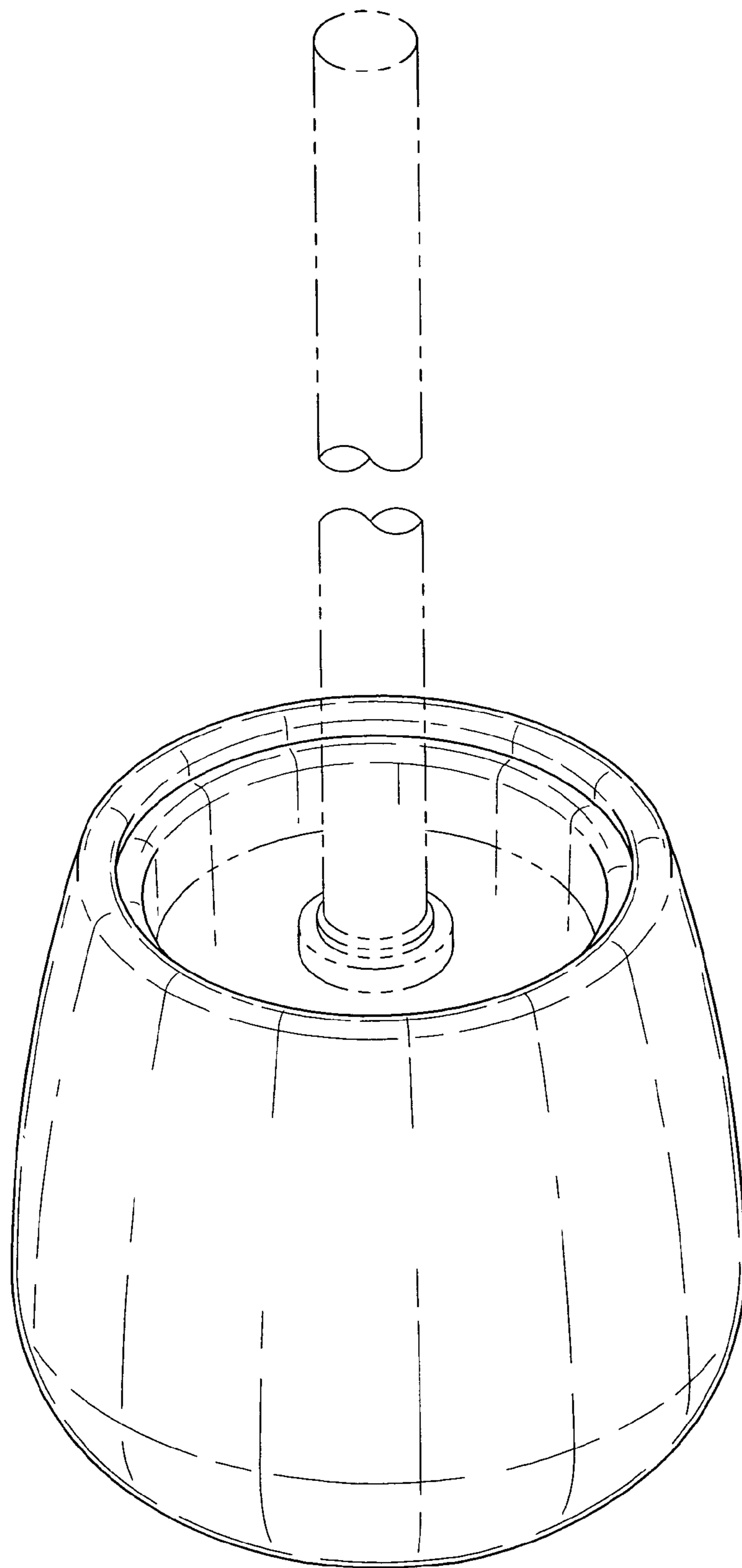


FIG-1

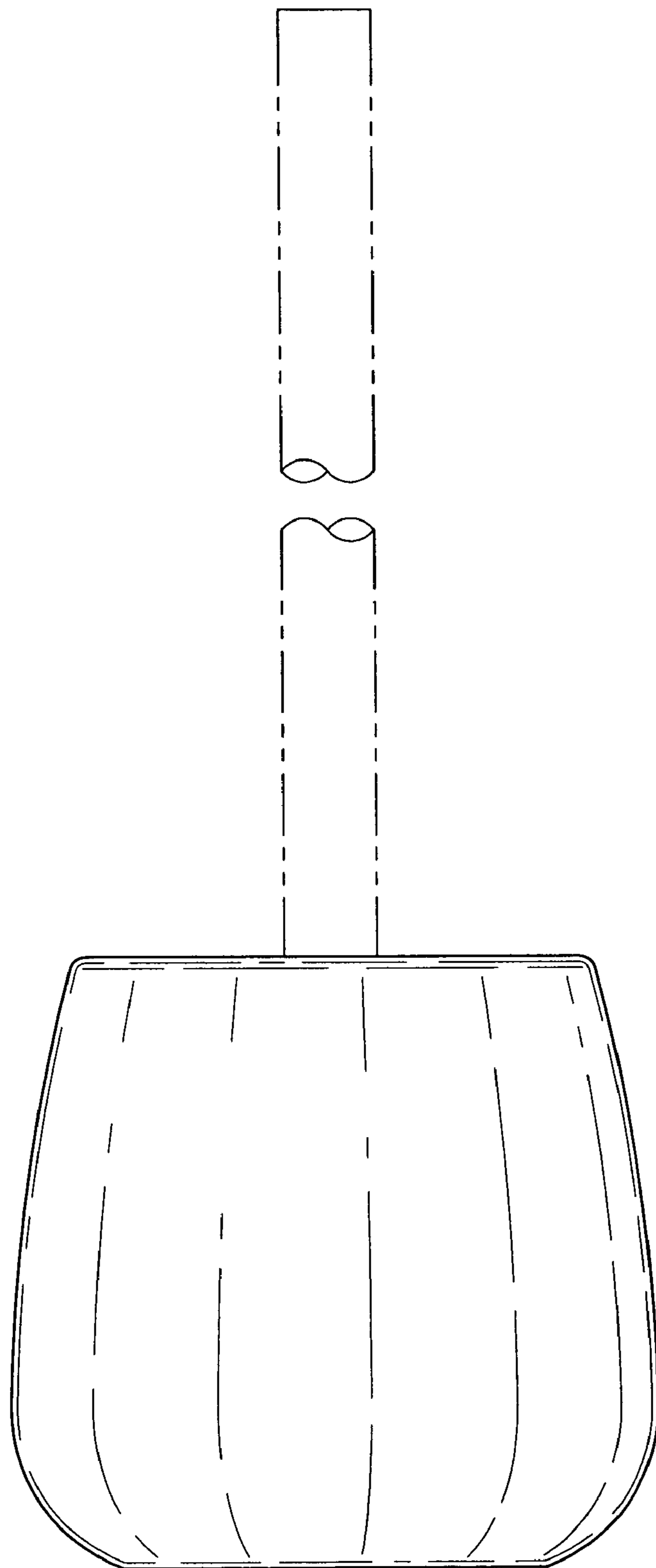


FIG-2

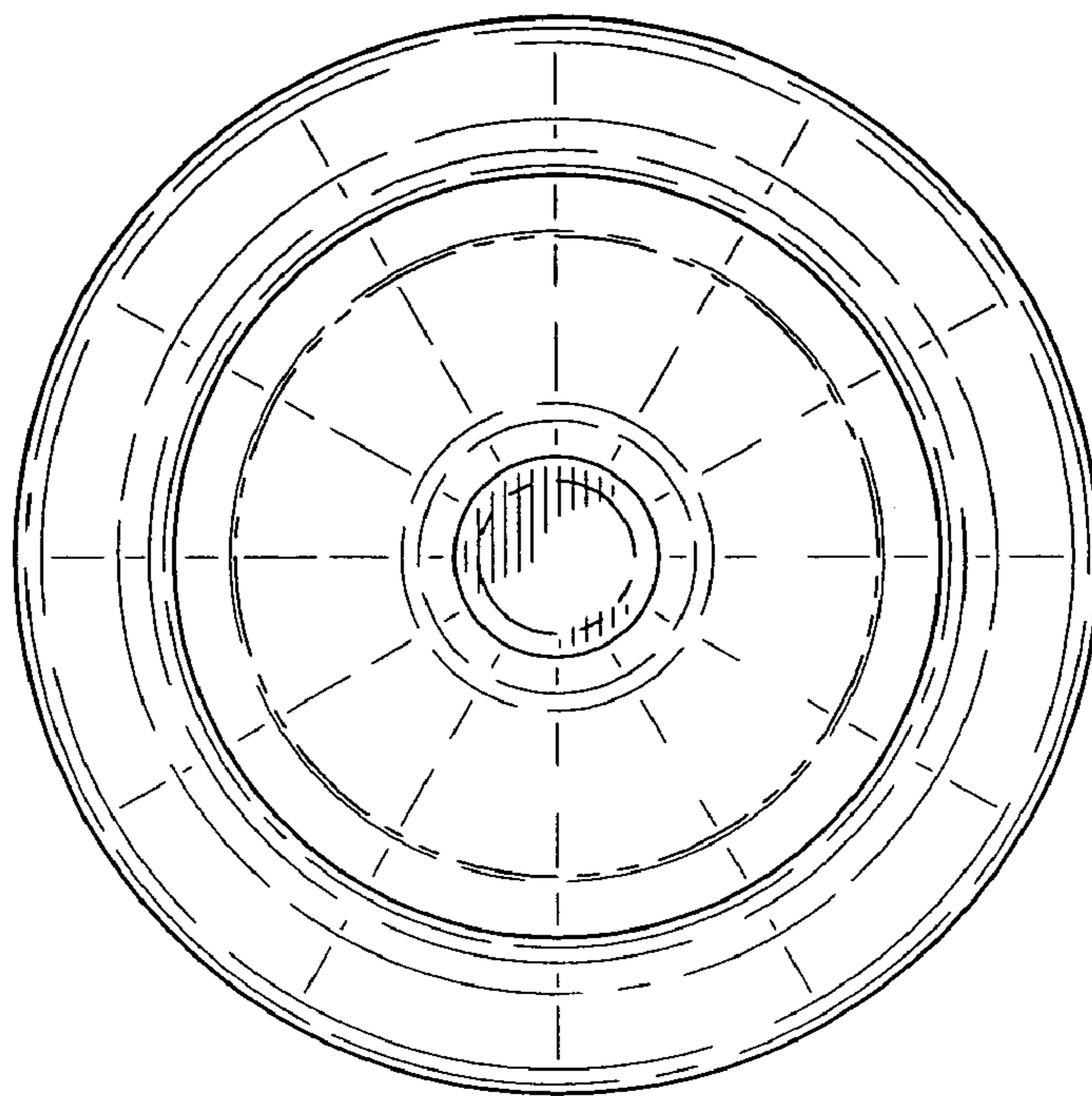


FIG-3

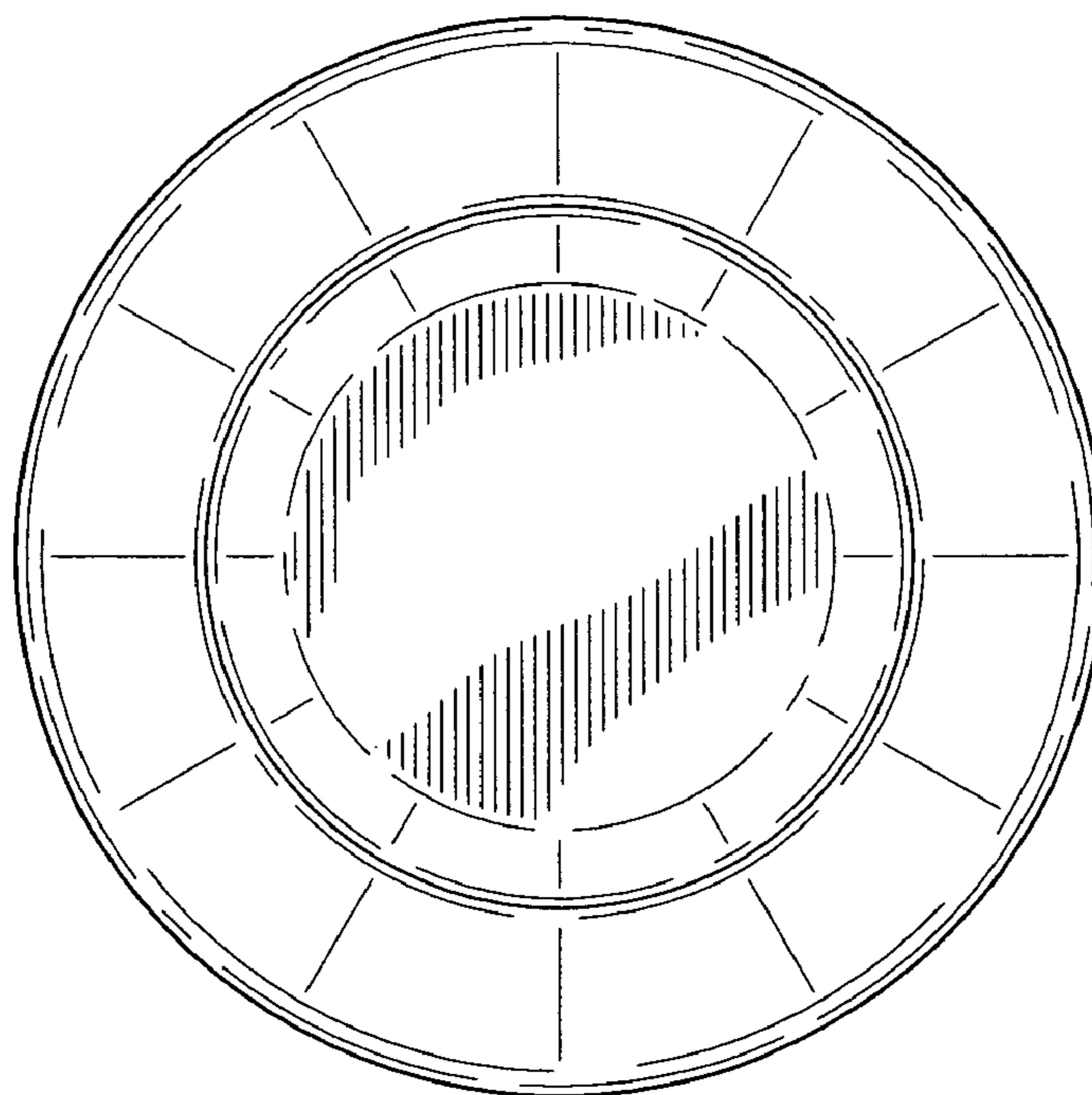


FIG-4

UNITED STATES PATENT AND TRADEMARK OFFICE
CERTIFICATE OF CORRECTION

PATENT NO. : Des. 551,480 S
APPLICATION NO. : 29/251552
DATED : September 25, 2007
INVENTOR(S) : Philip C. Dretzka

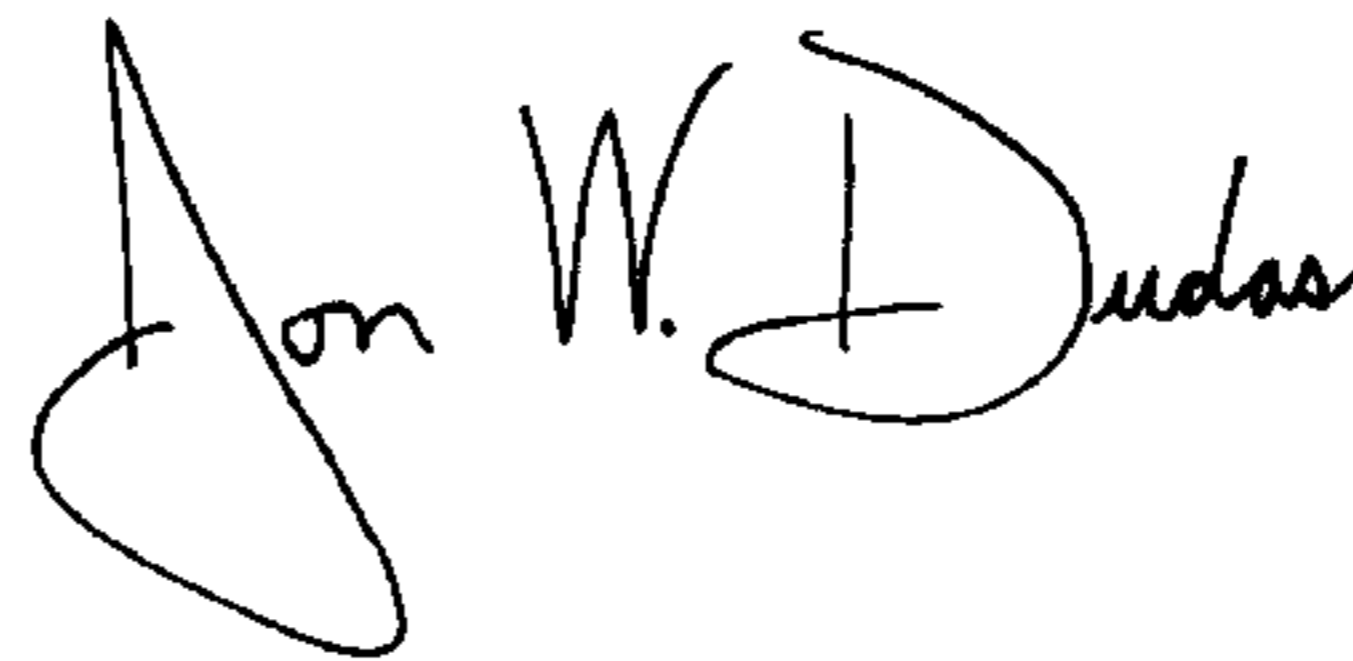
Page 1 of 1

It is certified that error appears in the above-identified patent and that said Letters Patent is hereby corrected as shown below:

On the cover page item (75) Inventor, correct the inventor's city of residence as follows: delete "Cleveland" and insert --Cleveland Heights--.

Signed and Sealed this

Fourth Day of March, 2008

A handwritten signature in black ink that reads "Jon W. Dudas". The signature is written in a cursive style with a large, looped initial "J".

JON W. DUDAS
Director of the United States Patent and Trademark Office