



US00D551479S

(12) **United States Design Patent**
Gilbert

(10) **Patent No.:** **US D551,479 S**

(45) **Date of Patent:** **** Sep. 25, 2007**

- (54) **ACCESSORY POST**
- (75) Inventor: **Christopher Jon Gilbert**, Moreland Hills, OH (US)
- (73) Assignee: **Moen Incorporated**, North Olmsted, OH (US)
- (**) Term: **14 Years**
- (21) Appl. No.: **29/262,153**
- (22) Filed: **Jun. 27, 2006**
- (51) **LOC (8) Cl.** **23-02**
- (52) **U.S. Cl.** **D6/524; D6/550**
- (58) **Field of Classification Search** D6/546-550, D6/518-523; D8/300, 303, 315-321, 349, D8/354, 363, 373, 380; 108/28-29; 211/13.1, 211/16, 60.1, 100, 86.01, 87.01, 88.01, 88.04, 211/105.1-105.2, 123, 182, 181.1; 248/175, 248/176.1, 251, 302, 309.1; 16/110.1, 412, 16/415; 242/570, 590, 595-598
See application file for complete search history.

- D256,864 S 9/1980 Nippel et al.
- D259,753 S 7/1981 Fleischman
- 4,366,866 A 1/1983 Sweeney
- D299,111 S 12/1988 Jans
- D356,362 S 3/1995 Bourgeois et al.
- D389,040 S 1/1998 Smiley et al.
- D389,041 S 1/1998 Smiley et al.
- D391,476 S 3/1998 Gourlay
- D413,787 S 9/1999 Kuo
- D415,675 S 10/1999 Hannerstig et al.

(Continued)

Primary Examiner—Brian N Vinson
(74) *Attorney, Agent, or Firm*—Calfee, Halter & Griswold LLP

(57) **CLAIM**

The ornamental design for an accessory post, as shown and described.

DESCRIPTION

FIG. 1 is a perspective view of an accessory post of the new design;

FIG. 2 is a front elevational view of the accessory post of FIG. 1;

FIG. 3 is a rear elevational view of the accessory post of FIG. 1;

FIG. 4 is a left side elevational view of the accessory post of FIG. 1;

FIG. 5 is a right side elevational view of the accessory post of FIG. 1;

FIG. 6 is a top plan view of the accessory post of FIG. 1; and, FIG. 7 is a bottom plan view of the accessory post of FIG. 1.

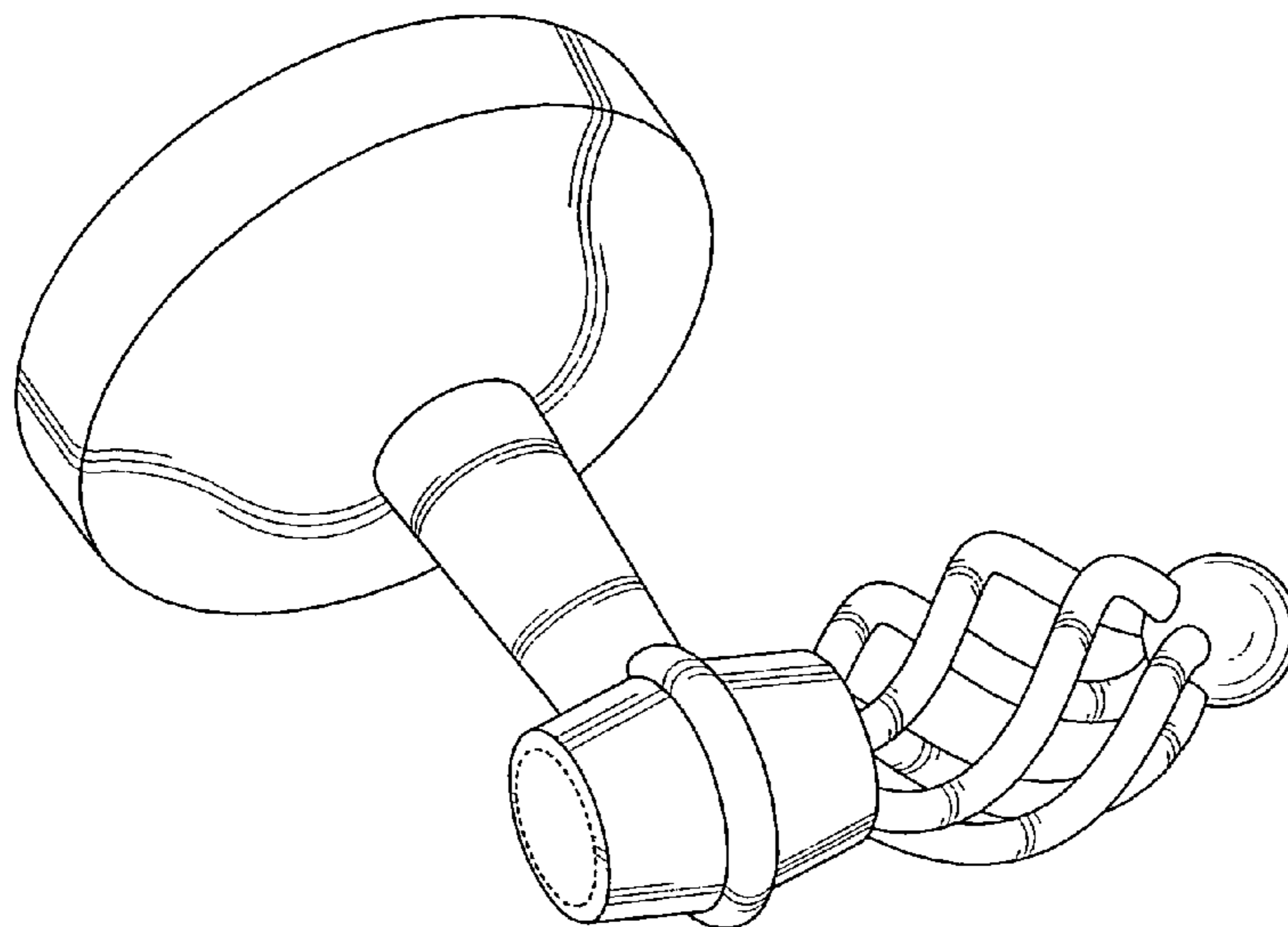
The portions of the Figures shown in broken lines are not part of the claimed design and are for illustration only.

1 Claim, 3 Drawing Sheets

(56) **References Cited**

U.S. PATENT DOCUMENTS

D7,019 S	12/1873	Gorman
332,825 A	12/1885	Parmelee
457,977 A	8/1891	Wilkening
905,144 A	12/1908	Broadent
D41,567 S	7/1911	Strassburger et al.
1,481,730 A	1/1924	Oakley
D70,759 S	8/1926	Hofman
D74,422 S	2/1928	Frolking
D79,771 S	10/1929	Warner et al.
1,733,970 A	10/1929	Koering
1,791,929 A	2/1931	Koering
D222,778 S	12/1971	Clayton et al.
D226,297 S	2/1973	Shames et al.
D256,862 S	9/1980	Ryan et al.



US D551,479 S

Page 2

U.S. PATENT DOCUMENTS

D417,808 S	12/1999	Roth et al.	D477,954 S	8/2003	Gilbert	
D417,994 S	12/1999	Roth et al.	D479,931 S	9/2003	Gilbert	
D424,352 S	5/2000	Roth et al.	D482,918 S	12/2003	Chen	
D427,471 S	7/2000	Chen	D490,696 S	6/2004	Calig et al.	
D430,481 S	9/2000	Graves et al.	D495,593 S	9/2004	Graves et al.	
D439,087 S	3/2001	Fuchs	D501,109 S *	1/2005	Gilbert D6/524
D454,021 S	3/2002	Meck et al.	D503,061 S	3/2005	Fuchs	
D456,195 S	4/2002	Meck et al.	D507,140 S	7/2005	Gilbert	
D456,653 S *	5/2002	Lai	D507,962 S	8/2005	File et al.	
		D507,964 S	8/2005	File et al.	
	 D6/524	D517,360 S *	3/2006	Chen D6/550
D461,399 S	8/2002	Kumar	D518,325 S *	4/2006	Gilbert D6/550
D461,672 S	8/2002	Zhao	D520,793 S *	5/2006	Gilbert D6/550
D468,625 S	1/2003	Schorling				
D469,644 S	2/2003	Yen				
D473,741 S	4/2003	Gilbert				

* cited by examiner

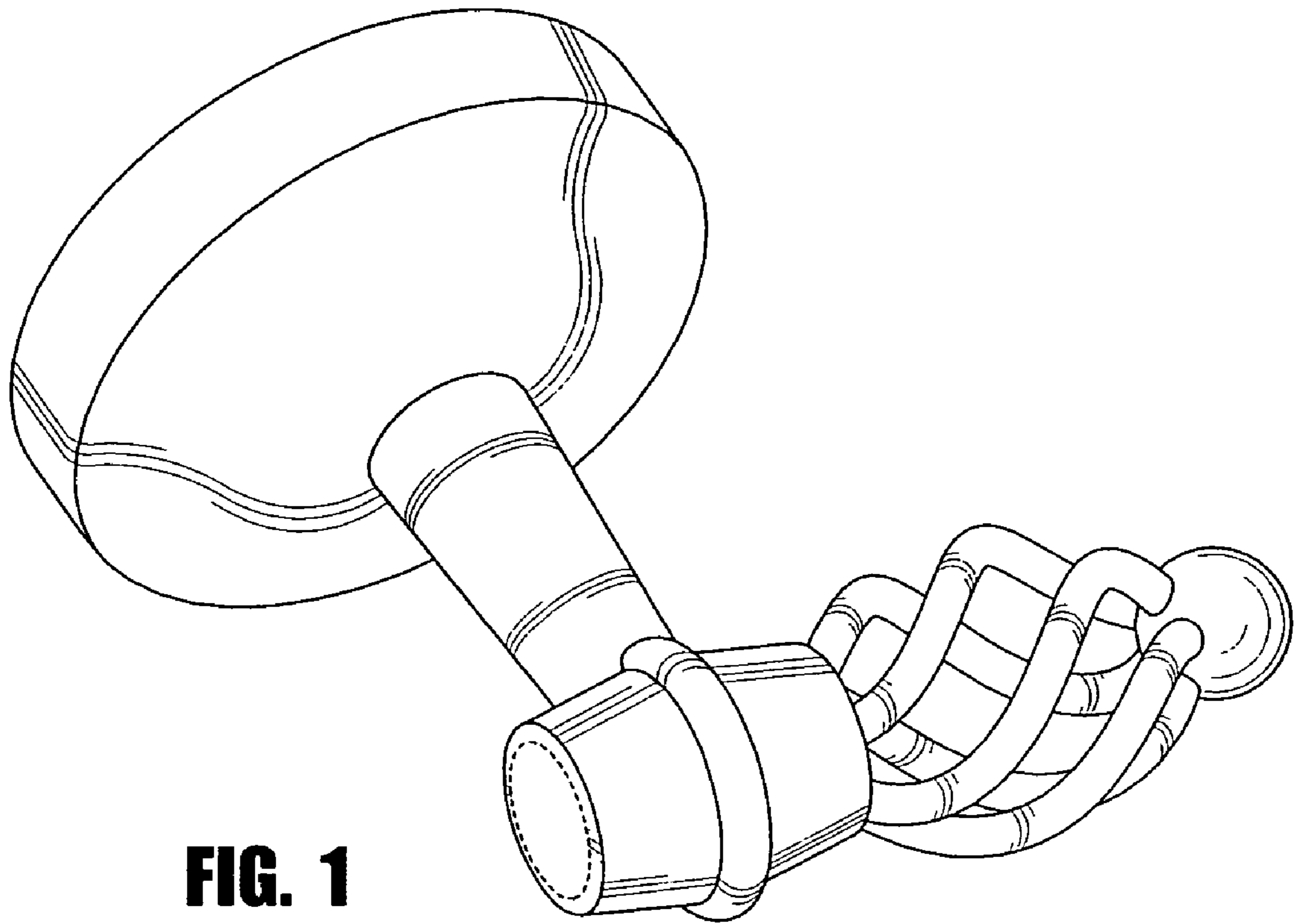


FIG. 1

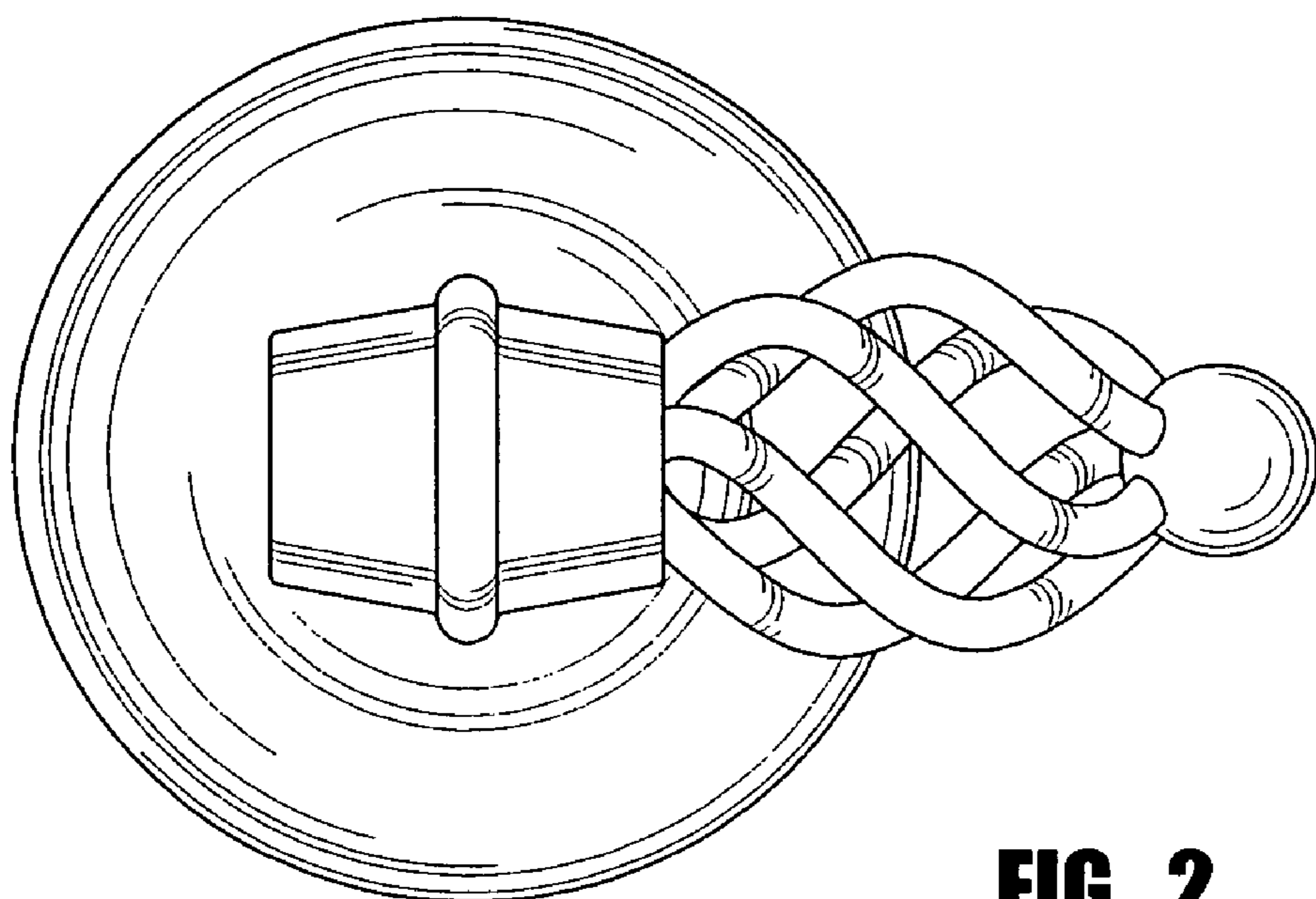


FIG. 2

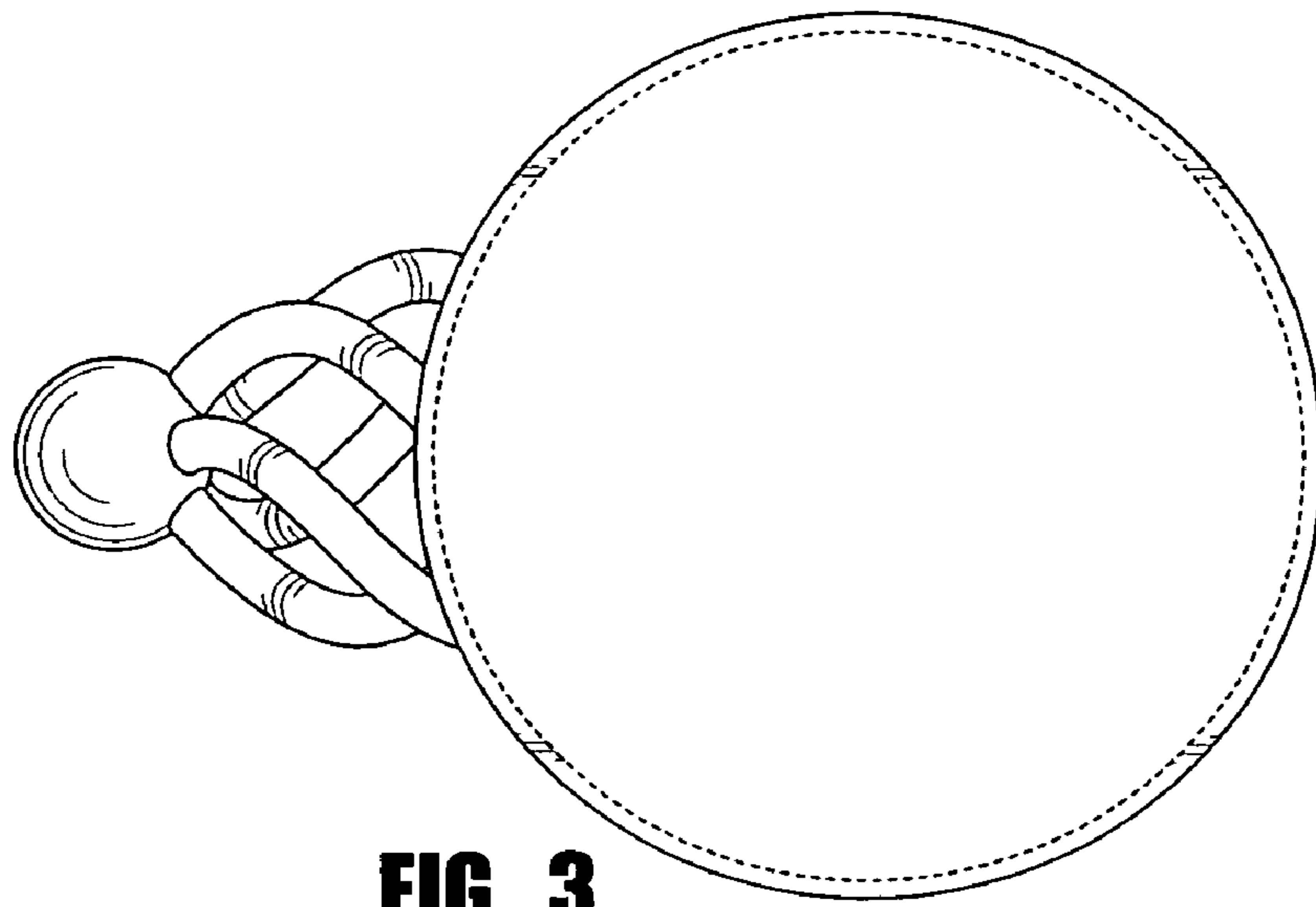


FIG. 3

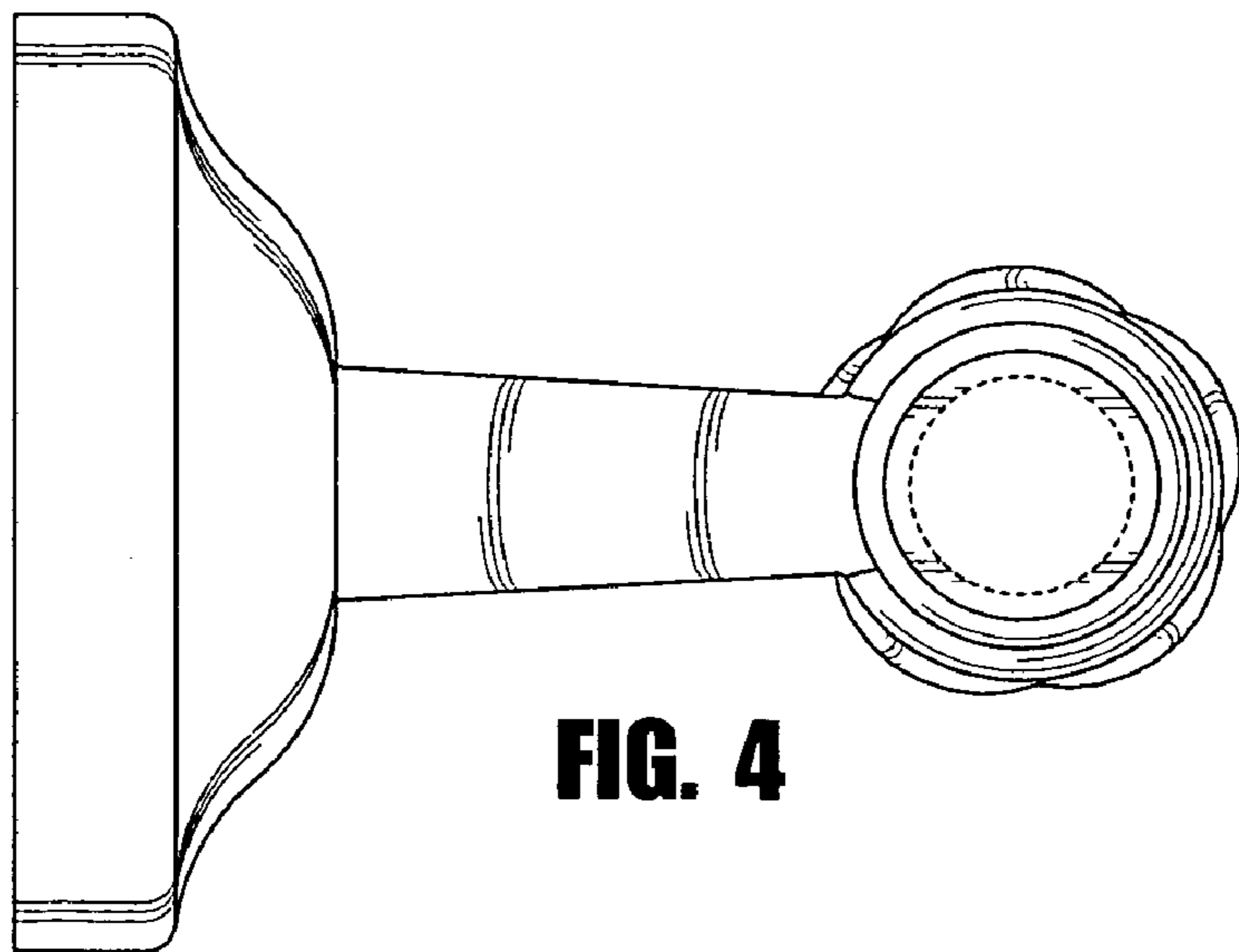


FIG. 4

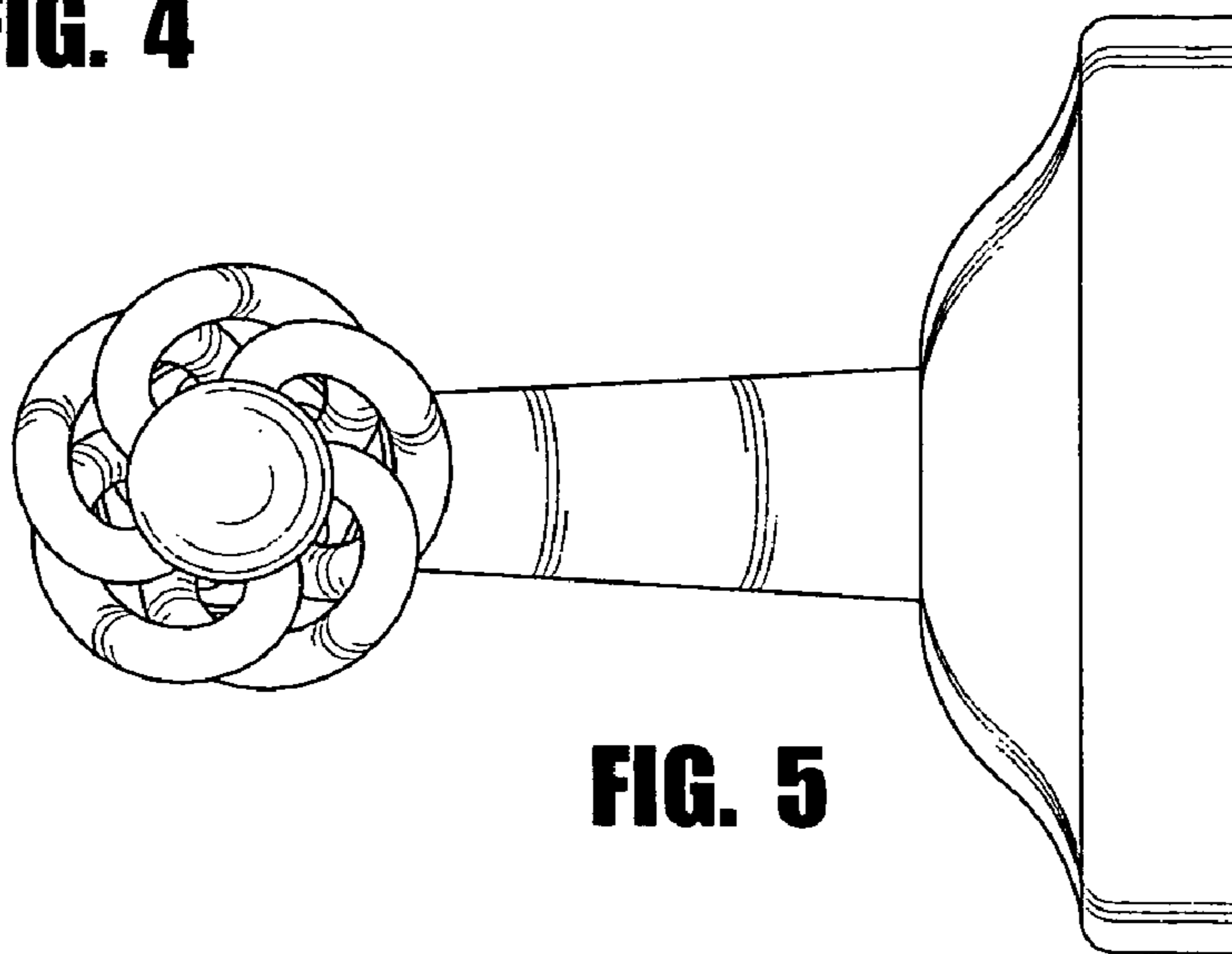


FIG. 5

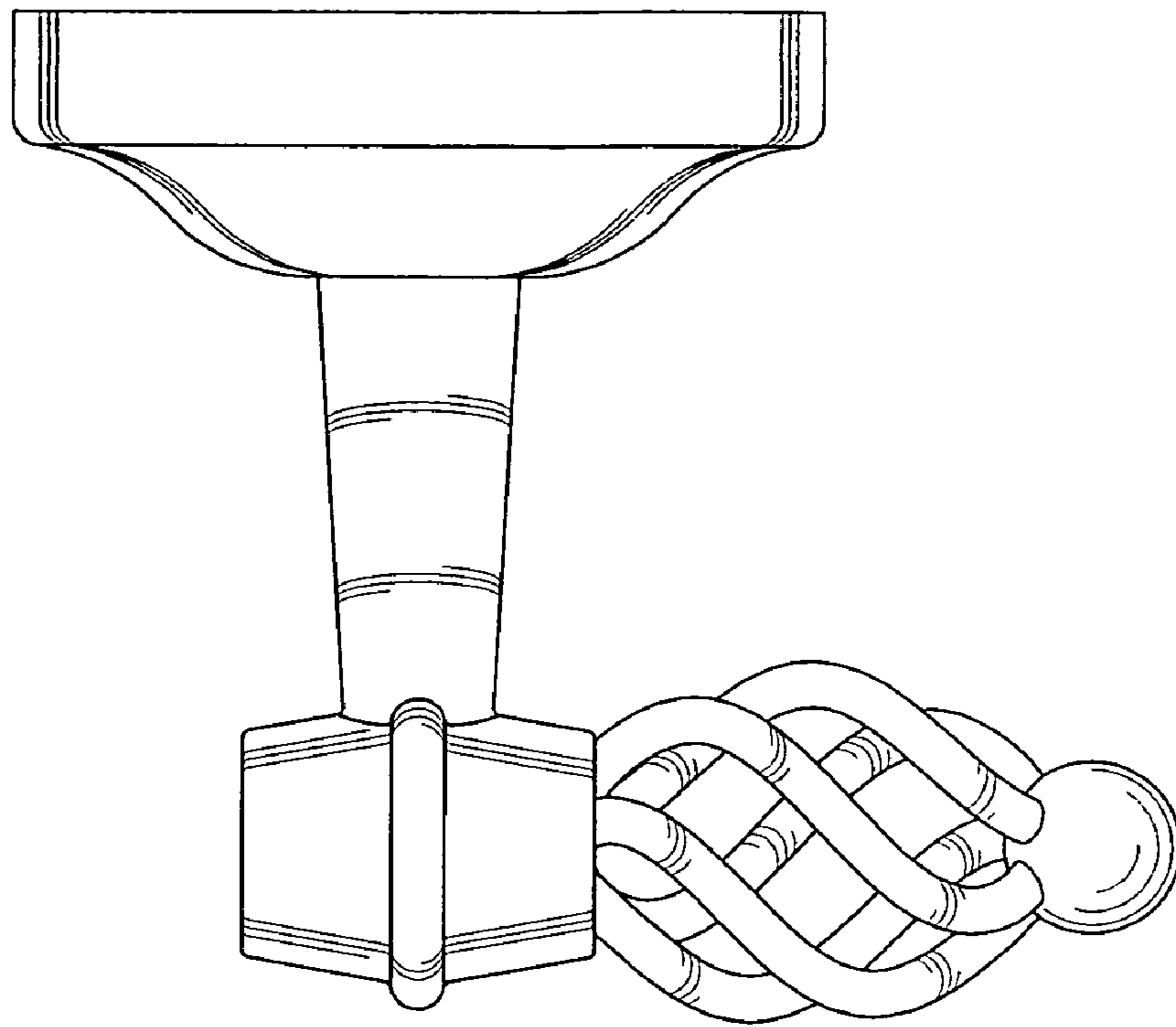


FIG. 6

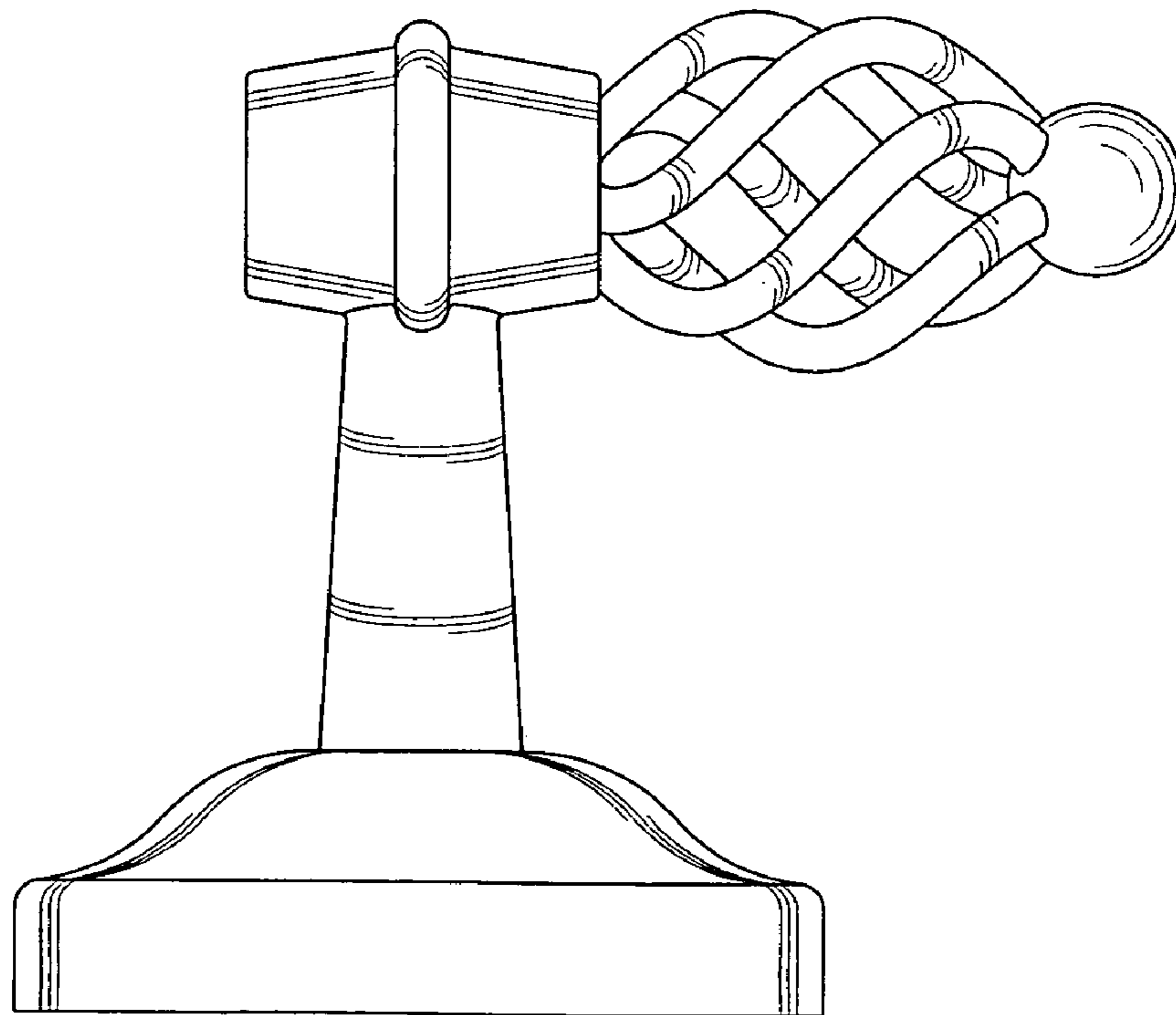


FIG. 7