



US00D551477S

(12) **United States Design Patent** (10) **Patent No.:** **US D551,477 S**  
**Kikuchi** (45) **Date of Patent:** **\*\* Sep. 25, 2007**

(54) **CASE FOR HOUSING A PAPER TOWEL**

(57) **CLAIM**

(76) Inventor: **Kiku Kikuchi**, 3-134, Miyamoto 2 chome, Kushiro-shi (JP)

The ornamental design for a case for housing a paper towel, as shown and described.

(\*\*) Term: **14 Years**

**DESCRIPTION**

(21) Appl. No.: **29/235,286**

The present article is a case for housing a roll-typed paper towel. The article is made of wood, metal, or synthetic resin material. The article is provided with a slot for pulling out the paper towel and an ellipsoidal hole for pressing the paper towel, on the cylindrical wall thereof. One end of the article is opened, and a screw-typed cover plate is screwed into the one end. In use, the paper towel is housed within the case, and is pulled out from the slot, and then, while pressing the top wall thereof with the first, the second, the third and the little fingers of the left hand, the thumb is inserted into the hole to press the paper towel, and the paper towel is cut off at the line of weakening. Under certain circumstances, the paper towel may be cut off with one hand. Further, either of the fingers may be inserted into the ellipsoidal hole to carry the article to the desired place.

(22) Filed: **Aug. 1, 2005**

(30) **Foreign Application Priority Data**

Jun. 27, 2005 (JP) ..... 2005-018506

FIG. 1 is a front elevational view of a case for housing a paper towel showing my new design;

(51) **LOC (8) Cl.** ..... **23-02**

FIG. 2 is a rear elevational view thereof, the left side being identical in appearance;

(52) **U.S. Cl.** ..... **D6/522**

FIG. 3 is a right side elevational view thereof;

(58) **Field of Classification Search** ..... D6/515-523;  
D3/201; 206/389, 391, 407, 409; 312/34.1,  
312/34.8; 211/16, 85.5, 59.2; 221/92, 97,  
221/185, 282-284; 242/159, 160.2, 550,  
242/560, 590, 595, 588, 598  
See application file for complete search history.

FIG. 4 is a top plan view thereof;

(56) **References Cited**

**U.S. PATENT DOCUMENTS**

FIG. 5 is a bottom plan view thereof;

- 4,615,442 A \* 10/1986 Beeken ..... 206/389
- 4,721,264 A \* 1/1988 Muscarello ..... 242/598.6
- D316,789 S \* 5/1991 McLaughlin ..... D6/522
- D327,798 S \* 7/1992 Addison et al. .... D6/523
- D339,490 S \* 9/1993 Addison et al. .... D6/518
- D421,691 S \* 3/2000 Hoblitz ..... D6/522
- D425,347 S \* 5/2000 Anderberg ..... D6/518
- D462,860 S \* 9/2002 Orlando ..... D6/518
- D478,753 S \* 8/2003 Hall et al. .... D6/523
- D504,794 S \* 5/2005 Sellars ..... D6/522
- D522,780 S \* 6/2006 Sellars ..... D6/518

FIG. 6 is a horizontal cross-sectional view thereof, taken along line I—I of FIG. 1;

\* cited by examiner

FIG. 7 is a vertical cross-sectional view thereof, taken along line II—II of FIG. 4;

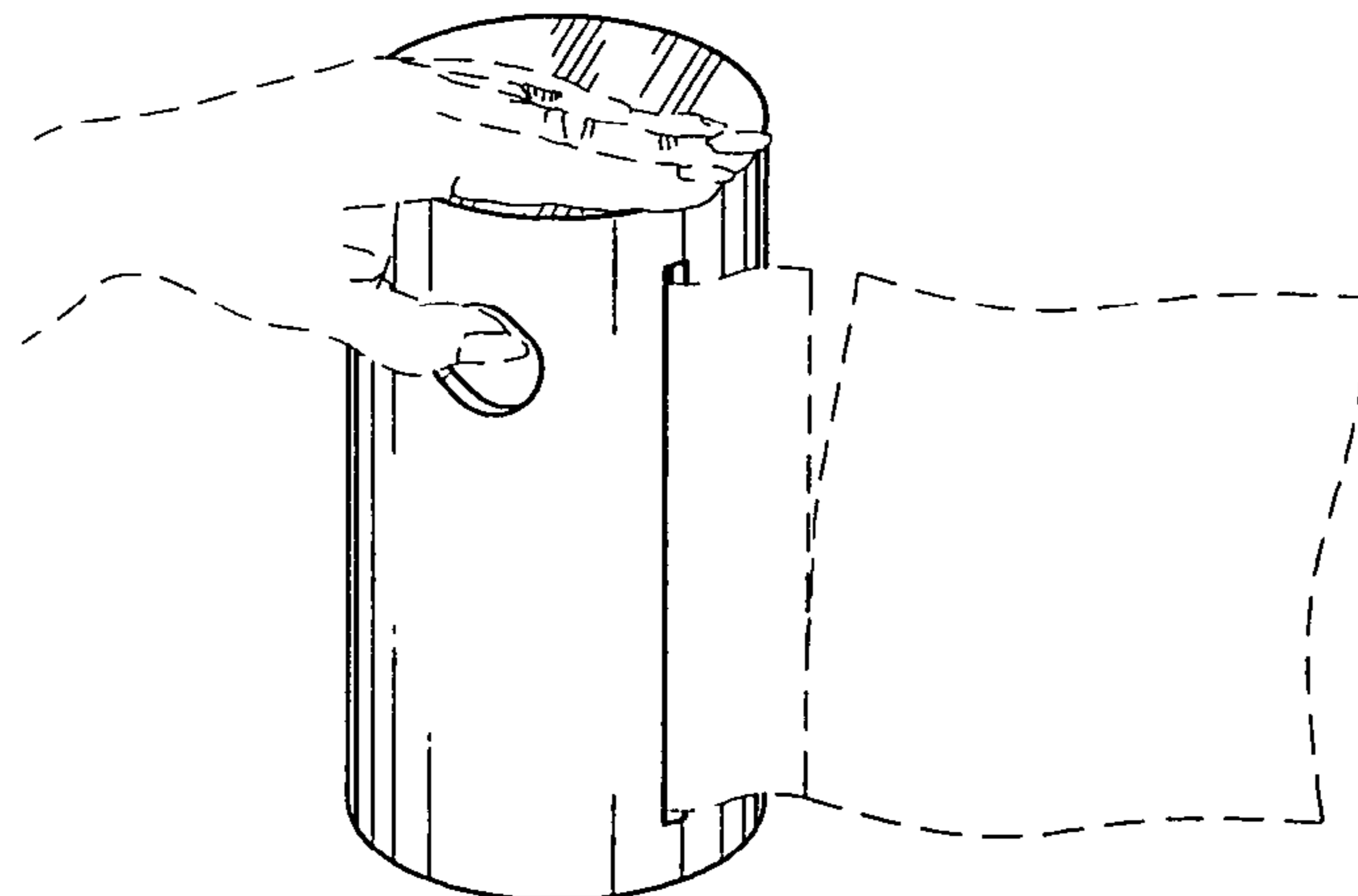
*Primary Examiner*—Brian N Vinson

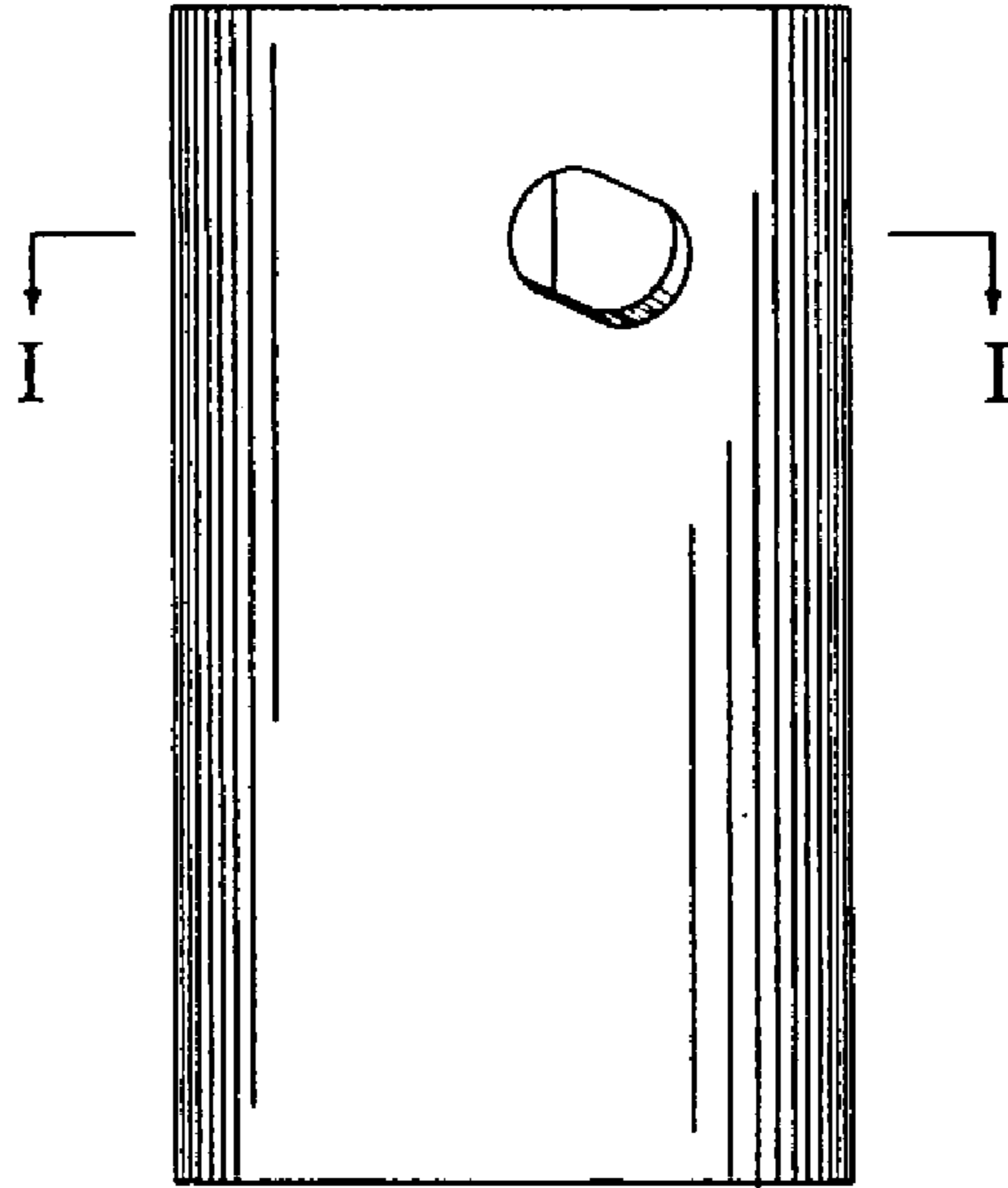
FIG. 8 is a top, front, and right side perspective view thereof; and,

(74) *Attorney, Agent, or Firm*—Griffin & Szipl, P.C.

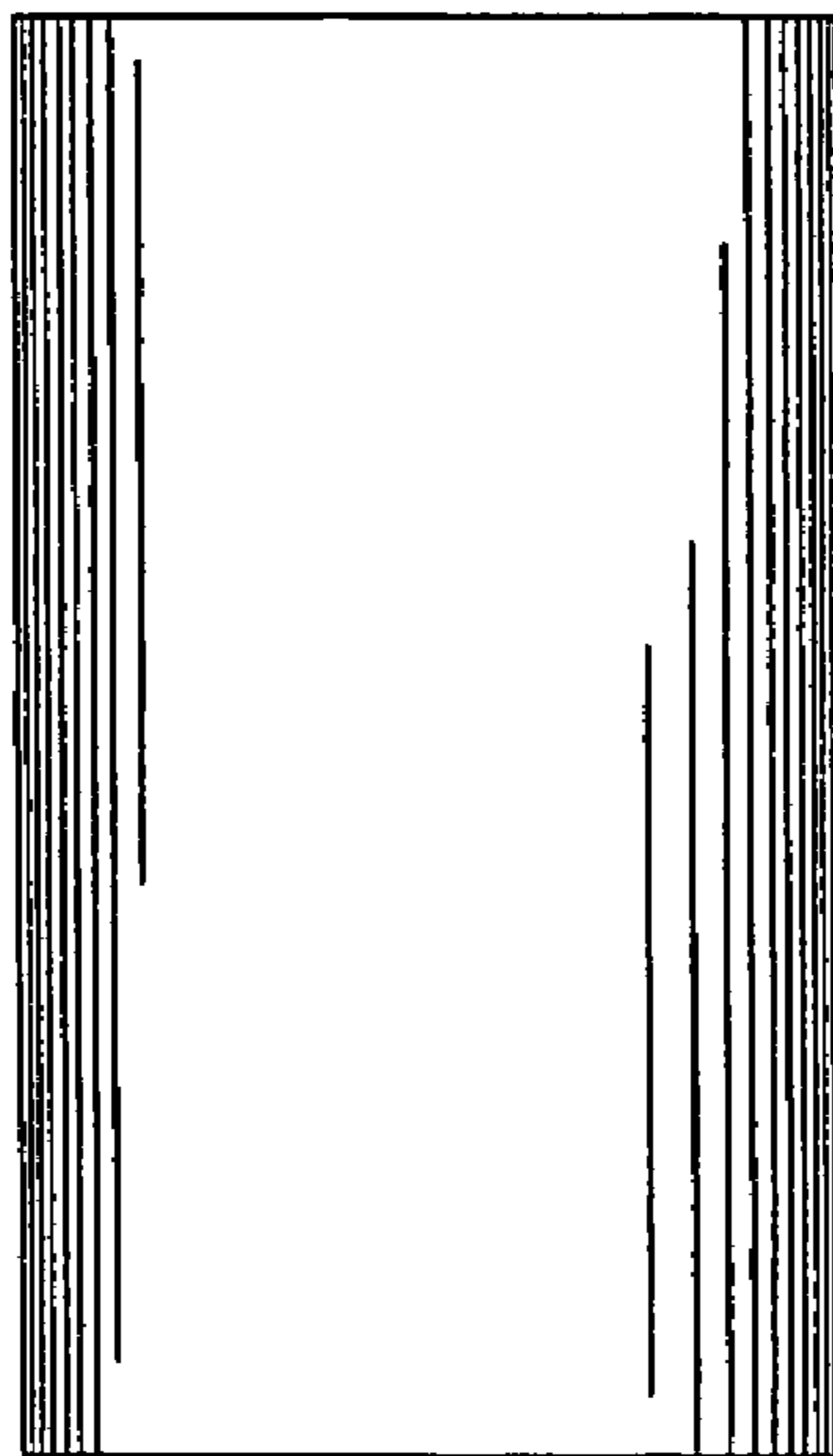
FIG. 9 is a top, front, and right side perspective view thereof, with the broken-line disclosure being for illustrative purposes only and forming no part of the claimed design.

**1 Claim, 4 Drawing Sheets**

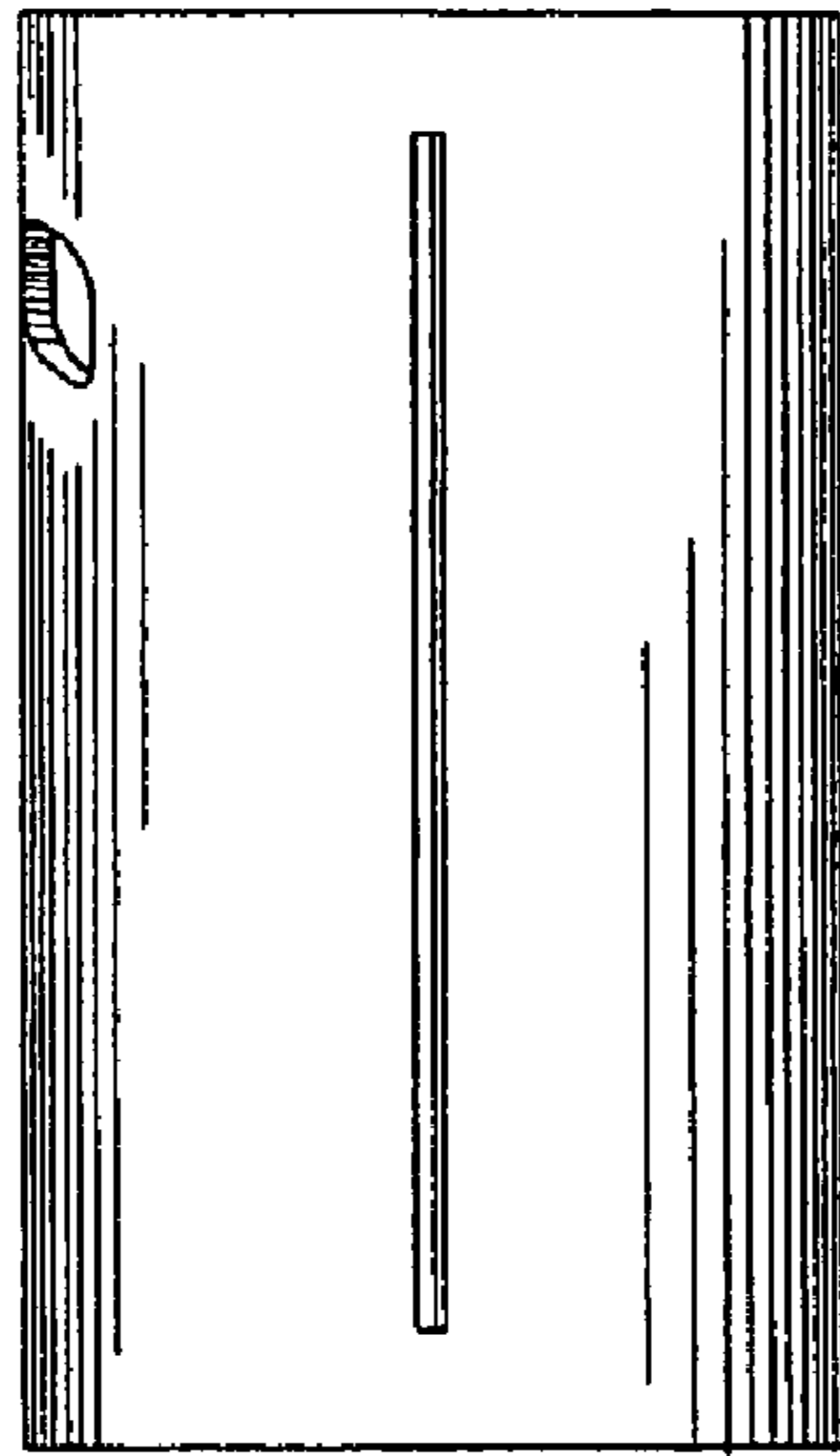




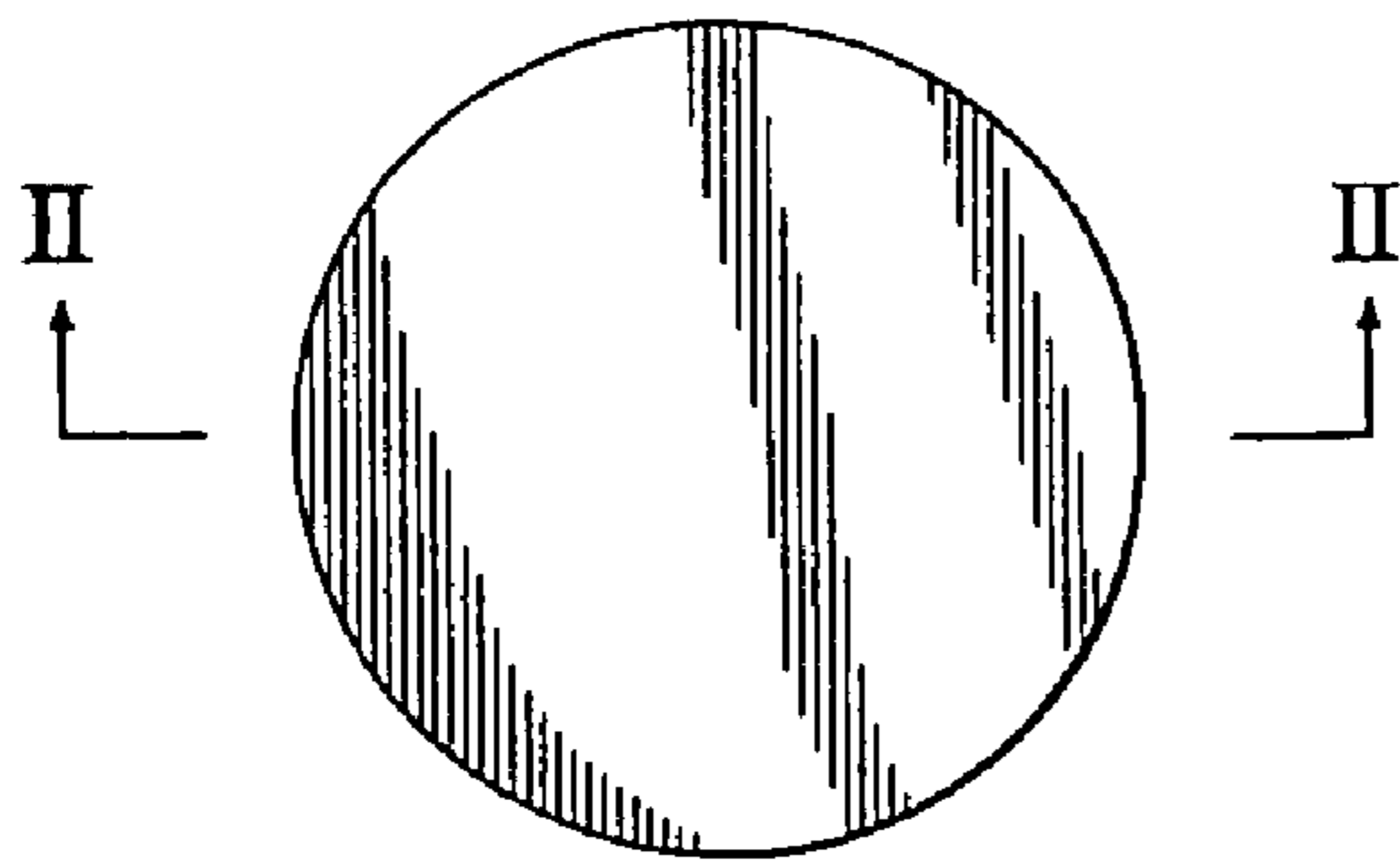
*FIG. 1*



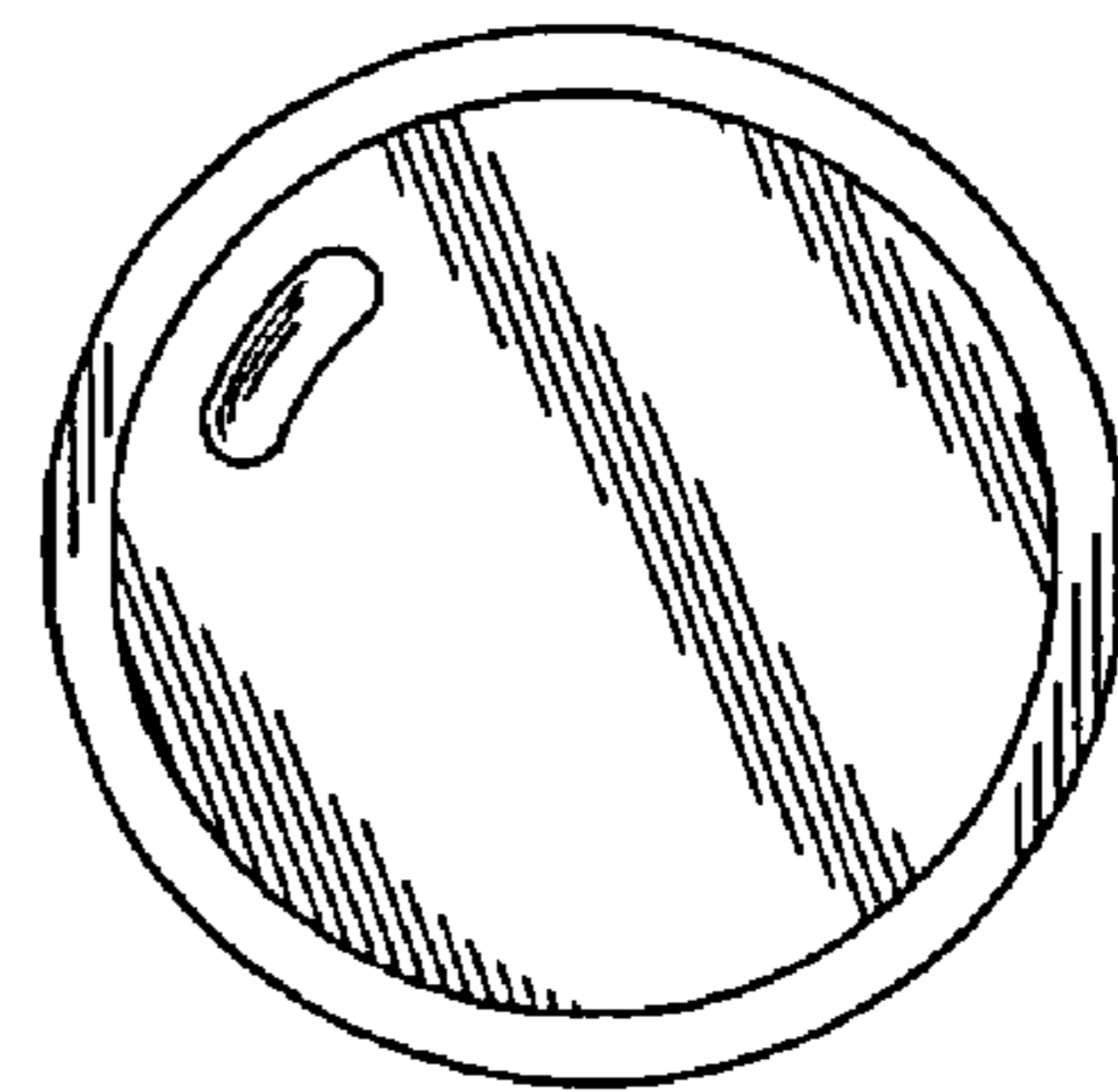
*FIG. 2*



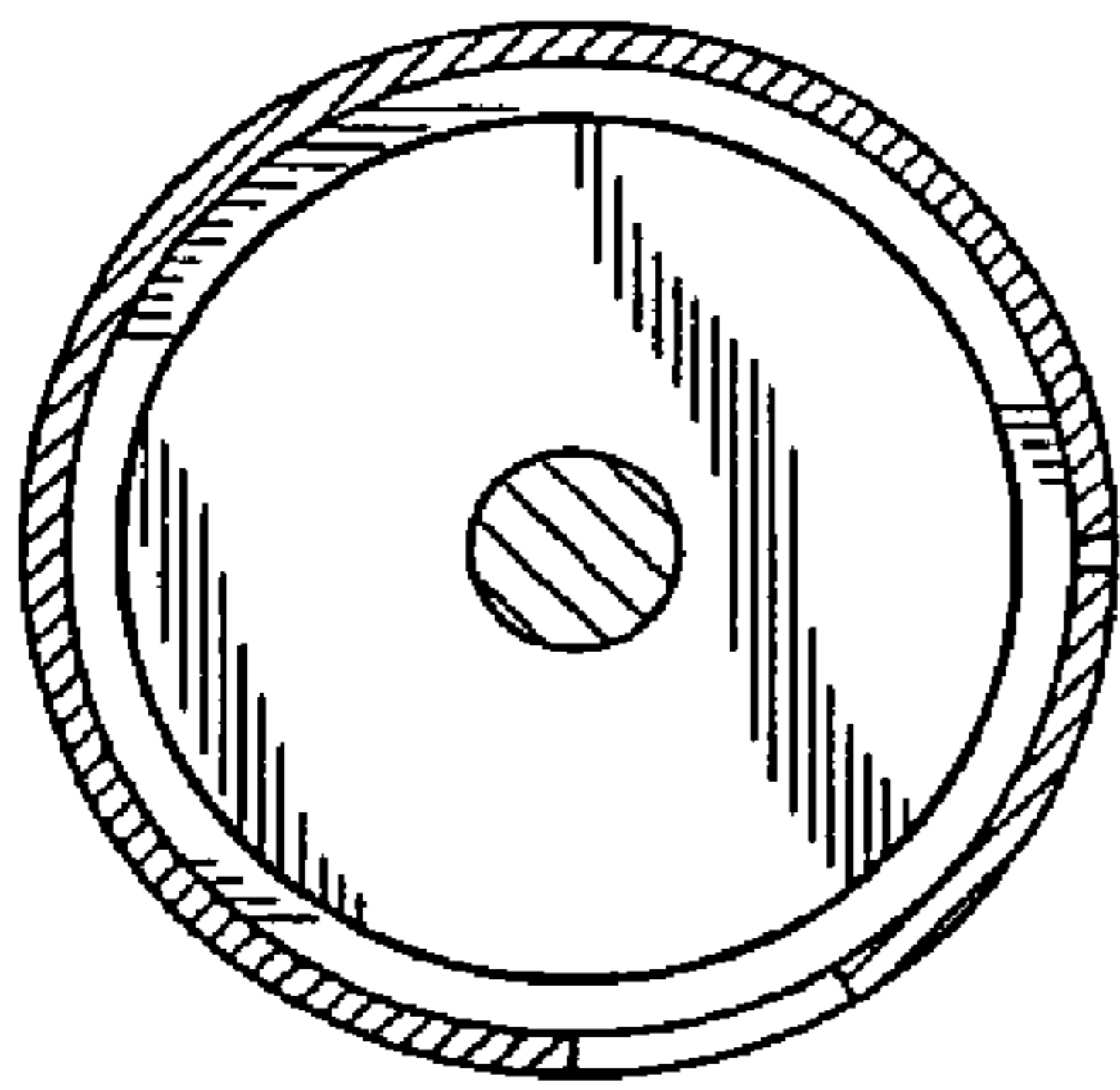
*FIG. 3*



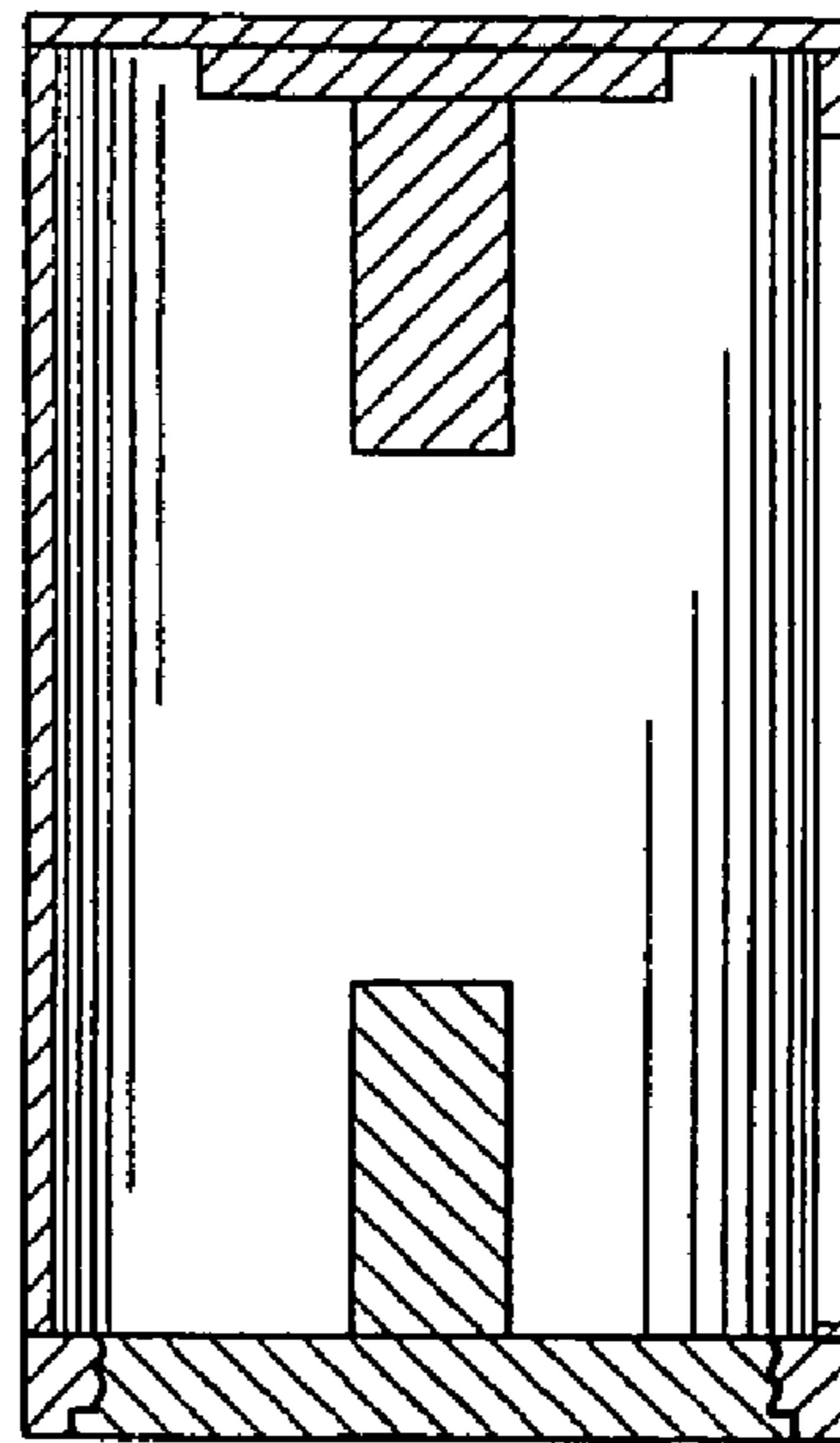
*FIG. 4*



*FIG. 5*



*FIG. 6*



*FIG. 7*

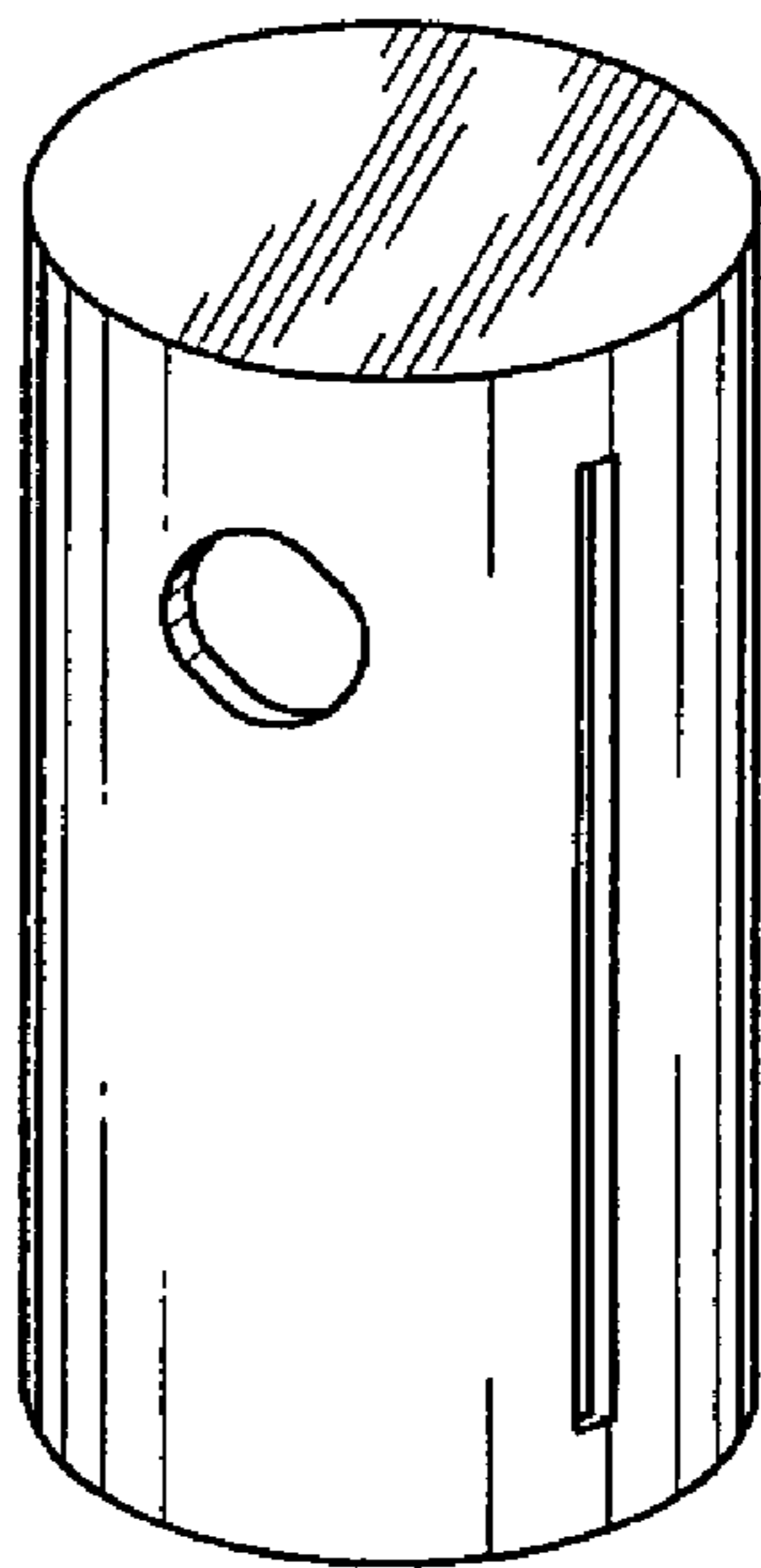


FIG. 8

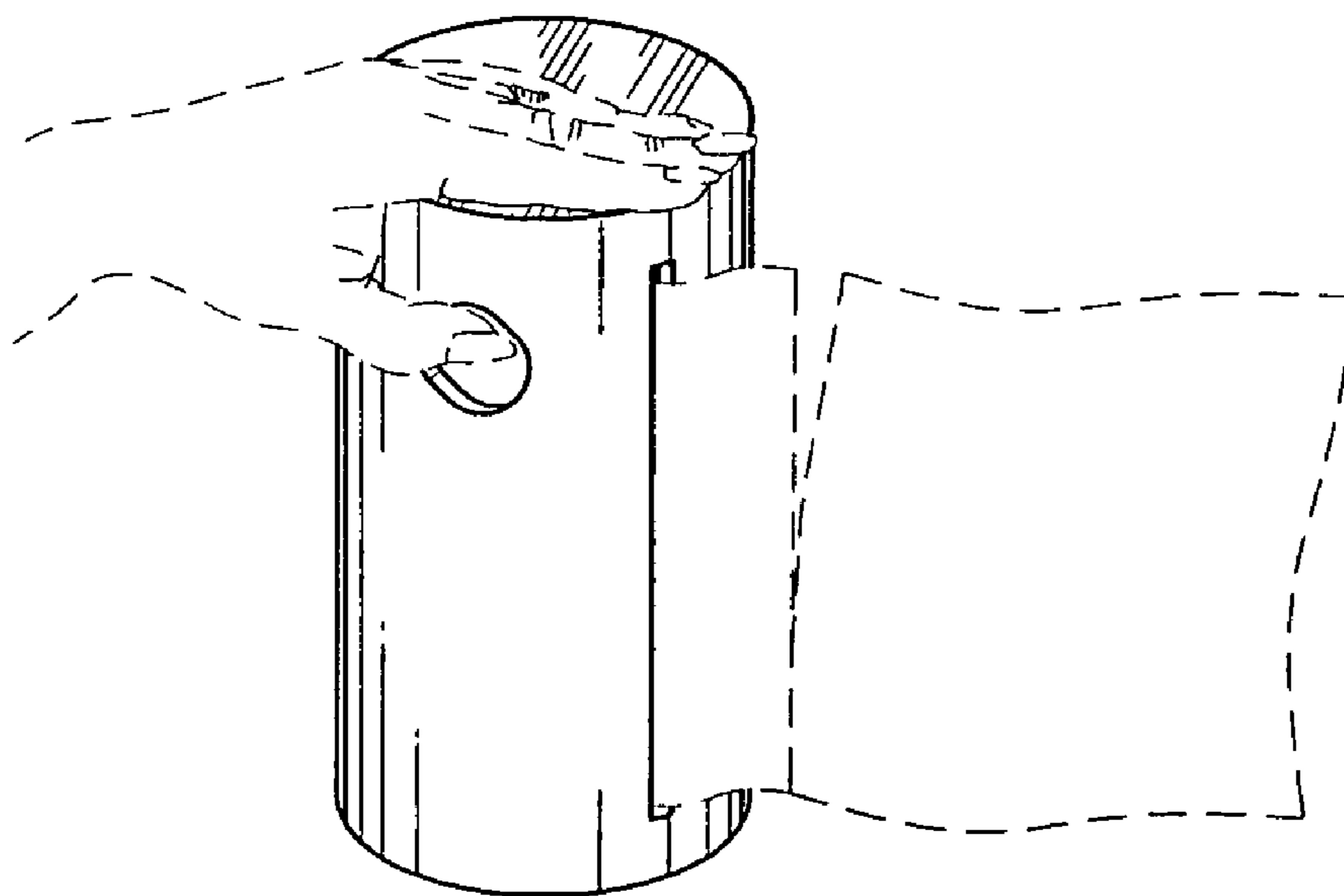


FIG. 9