



US00D551475S

(12) **United States Design Patent** (10) **Patent No.:** **US D551,475 S**
Cittadino et al. (45) **Date of Patent:** **** Sep. 25, 2007**

(54) **DISPENSER HOUSING**

(75) Inventors: **Antonio M. Cittadino**, Appleton, WI (US); **Matthew T. Wilcox**, De Pere, WI (US); **Michael R. Kilgore**, Little Suamico, WI (US); **Karl D. Kissinger**, Appleton, WI (US); **Todd D. Schuelke**, Fremont, WI (US)

(73) Assignee: **Georgia-Pacific Consumer Products LP**, Atlanta, GA (US)

(**) Term: **14 Years**

(21) Appl. No.: **29/266,997**

(22) Filed: **Oct. 3, 2006**

(51) **LOC (8) Cl.** **20-02**

(52) **U.S. Cl.** **D6/518**

(58) **Field of Classification Search** D6/515-523;
206/225, 233, 389, 391, 812, 824; 211/13.1,
211/45; 222/173, 180; 221/26, 33, 282-283;
242/570, 590; 248/309.1, 905

See application file for complete search history.

(56) **References Cited**

U.S. PATENT DOCUMENTS

2,121,346 A 6/1938 Harvey

(Continued)

Primary Examiner—Brian N Vinson

(74) *Attorney, Agent, or Firm*—Joel T. Charlton

(57) **CLAIM**

The ornamental design for a dispenser housing, as shown.

DESCRIPTION

A portion of the disclosure of this patent document contains material to which a claim for copyright is made. The copyright owner has no objection to the facsimile reproduction by anyone of the patent document or the patent disclo-

sure as it appears in the Patent and Trademark Office patent file or records, but reserves all other copyright rights whatsoever.

FIG. 1 is a perspective view of the dispenser housing in an open position;

FIG. 2 is a perspective view of the dispenser housing in a closed position;

FIG. 3 is a top plan view of dispenser housing of FIGS. 1 and 2;

FIG. 4 is a front view in elevation of the dispenser housing of FIGS. 1 and 2;

FIG. 5 is a right side view in elevation of the dispenser housing of FIGS. 1 and 2;

FIG. 6 is a rear view in elevation of the dispenser housing of FIGS. 1 and 2;

FIG. 7 is a left side view in elevation of the dispenser housing of FIGS. 1 and 2; and,

FIG. 8 is a bottom plan view of the dispenser housing of FIGS. 1 and 2.

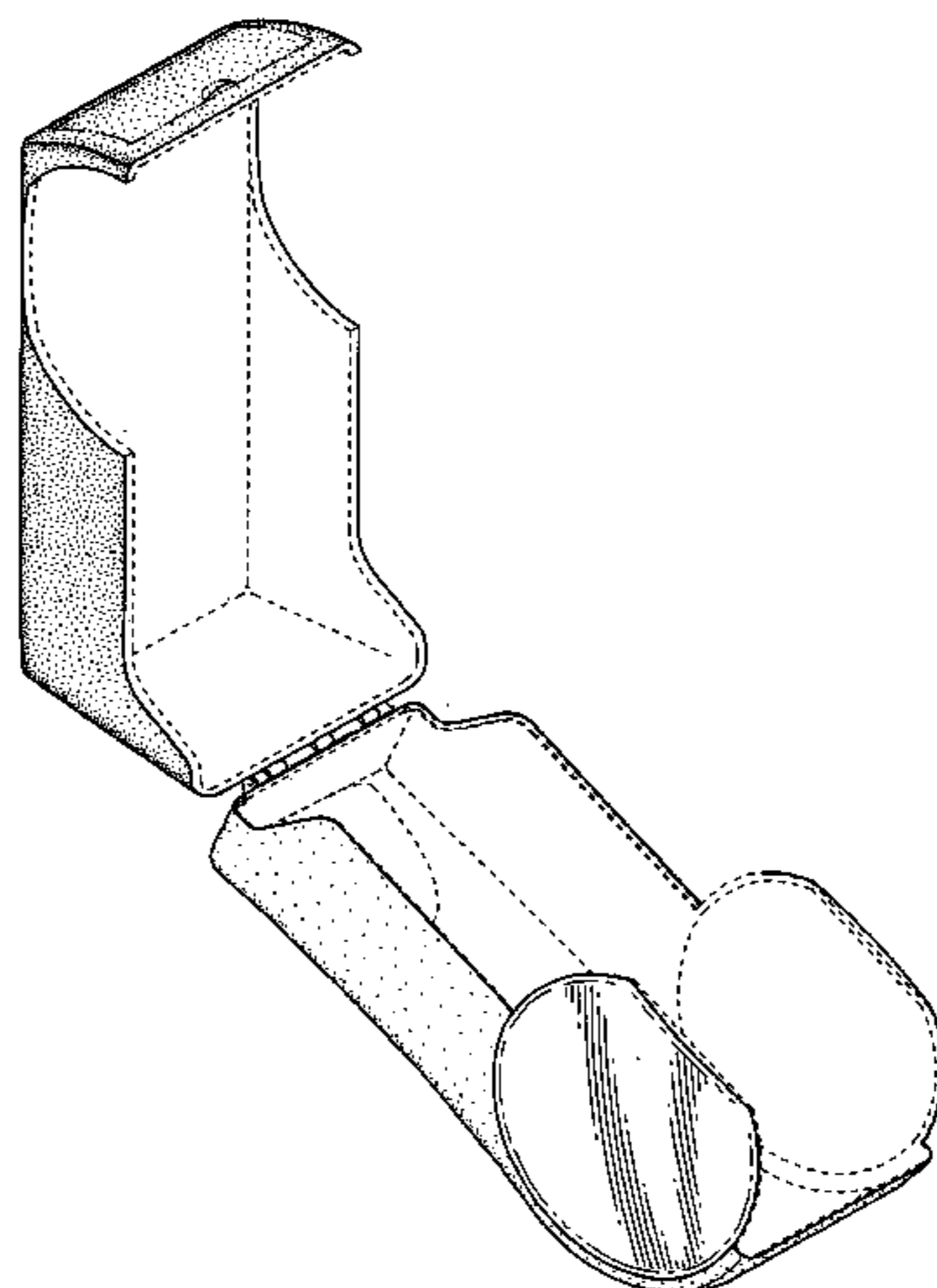
Two (2) tissue rolls are shown in broken lines to illustrate their position in the inventive housing when it encloses product for dispensing. The rolls form no part of the claimed design. Other features shown in broken lines, that is, the hinge, dispensing aperture, auxiliary access door on the top of the dispenser and other features are shown to illustrate environment and likewise form no part of the claimed design.

The areas within dashed lines, that is, the back of the dispenser housing and the interior of the dispenser housing form no part of the claimed design.

The broken lines and the dashed lines form no part of the claimed design.

In the drawings, oblique shading on the cover indicates that the cover is polished in these areas, that is in the sidewall dome areas, being thus relatively translucent or transparent with respect to other areas on the front cover which are lightly stippled to indicate a frosted, translucent appearance. Heavier stippling on the rear portion of the dispenser indicates a contrast in material.

1 Claim, 8 Drawing Sheets



US D551,475 S

Page 2

U.S. PATENT DOCUMENTS

2,943,777	A *	7/1960	Dvoracek	D6/520	6,695,246	B1	2/2004	Elliott et al.	
D356,707	S *	3/1995	Morand	D6/522	6,752,349	B2	6/2004	Moody et al.	
D363,628	S *	10/1995	McCanless	D6/522	6,793,170	B2	9/2004	Denen et al.	
5,628,474	A	5/1997	Krueger et al.		6,854,684	B2	2/2005	Byrd et al.	
D386,922	S *	12/1997	Sedlock	D6/522	6,871,815	B2	3/2005	Moody et al.	
D399,084	S *	10/1998	Tramontina	D6/522	6,895,848	B1	5/2005	Svensson	
D403,905	S *	1/1999	Tramontina	D6/522	7,017,856	B2	3/2006	Moody et al.	
6,032,898	A	3/2000	LaCount et al.		D525,063	S *	7/2006	Woods et al.	D6/518
D426,412	S *	6/2000	Cameron	D6/522	2002/0109035	A1	8/2002	Denen et al.	
6,105,898	A	8/2000	Byrd et al.		2003/0197086	A1	10/2003	Denen et al.	
D441,231	S *	5/2001	Purcell et al.	D6/522	2004/0035976	A1	2/2004	Byrd et al.	
D441,578	S *	5/2001	Andersson	D6/518	2004/0041057	A1	3/2004	Byrd et al.	
6,293,486	B1	9/2001	Byrd et al.		2004/0135027	A1	7/2004	Elliott et al.	
6,592,067	B2	7/2003	Denen et al.		2004/0178297	A1	9/2004	Moody et al.	
6,607,160	B2	8/2003	Lewis et al.		2006/0054733	A1	3/2006	Moody et al.	
6,685,074	B2	2/2004	Gracyalny et al.						

* cited by examiner

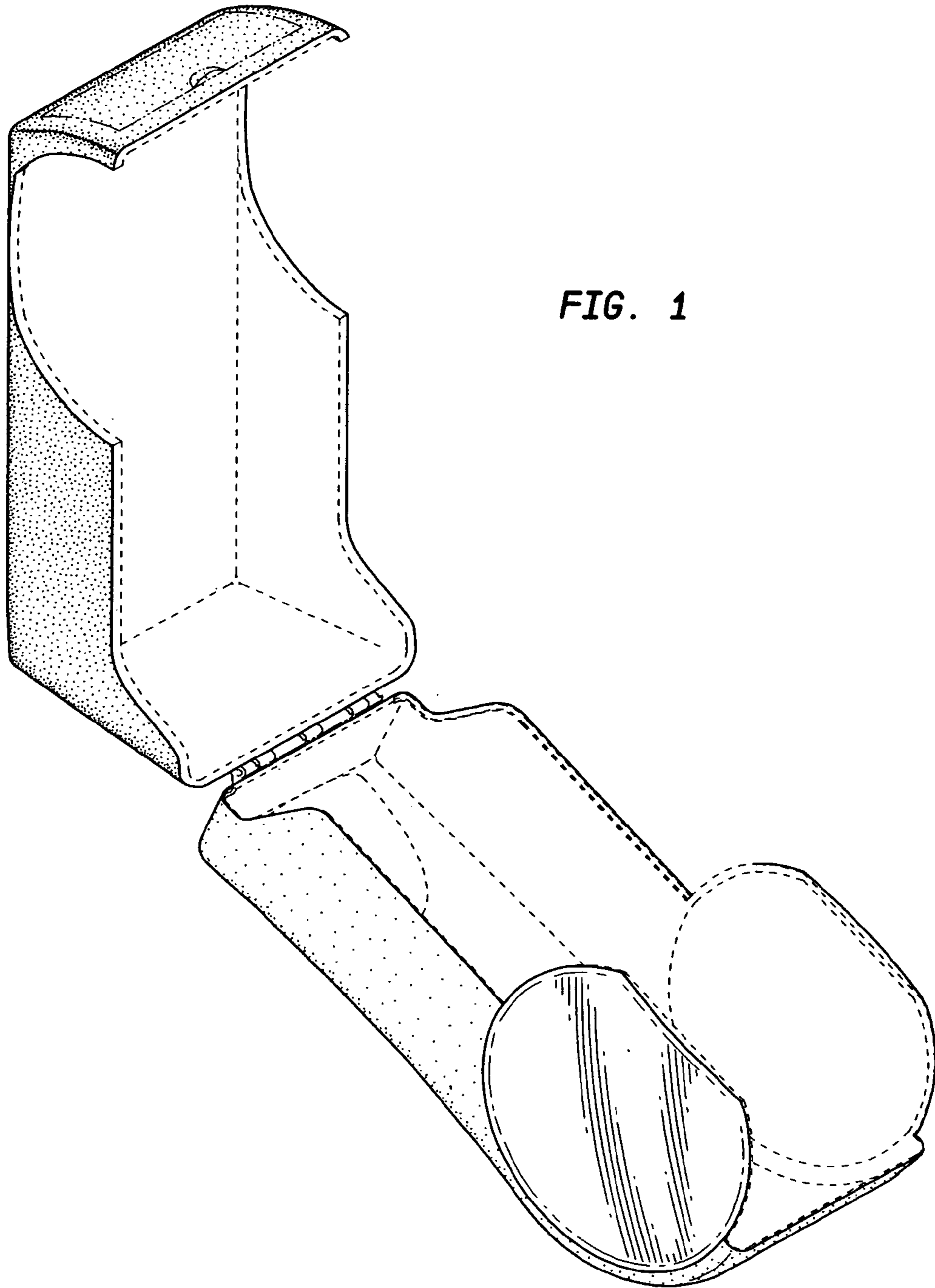


FIG. 1

FIG. 2

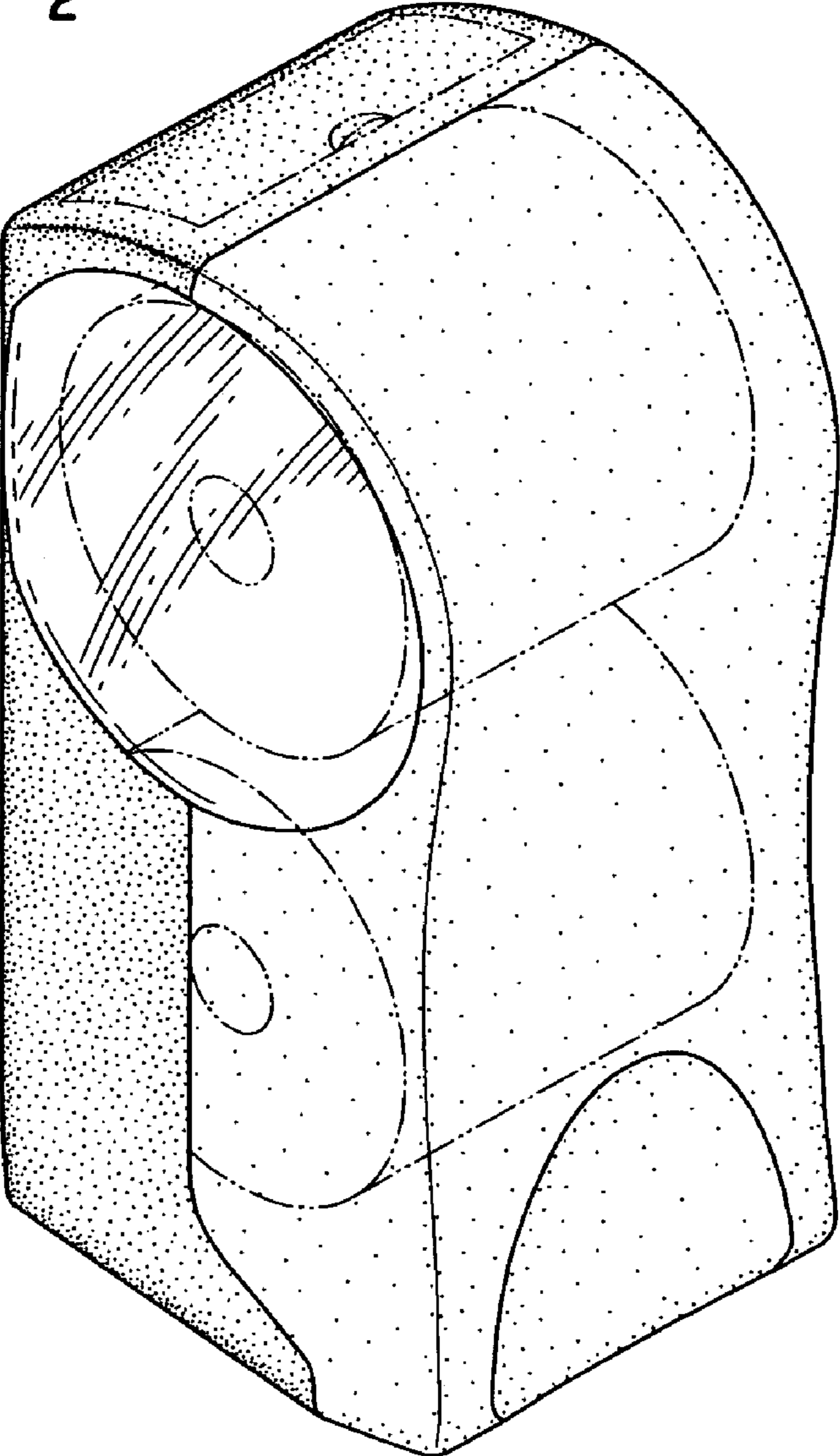


FIG. 3

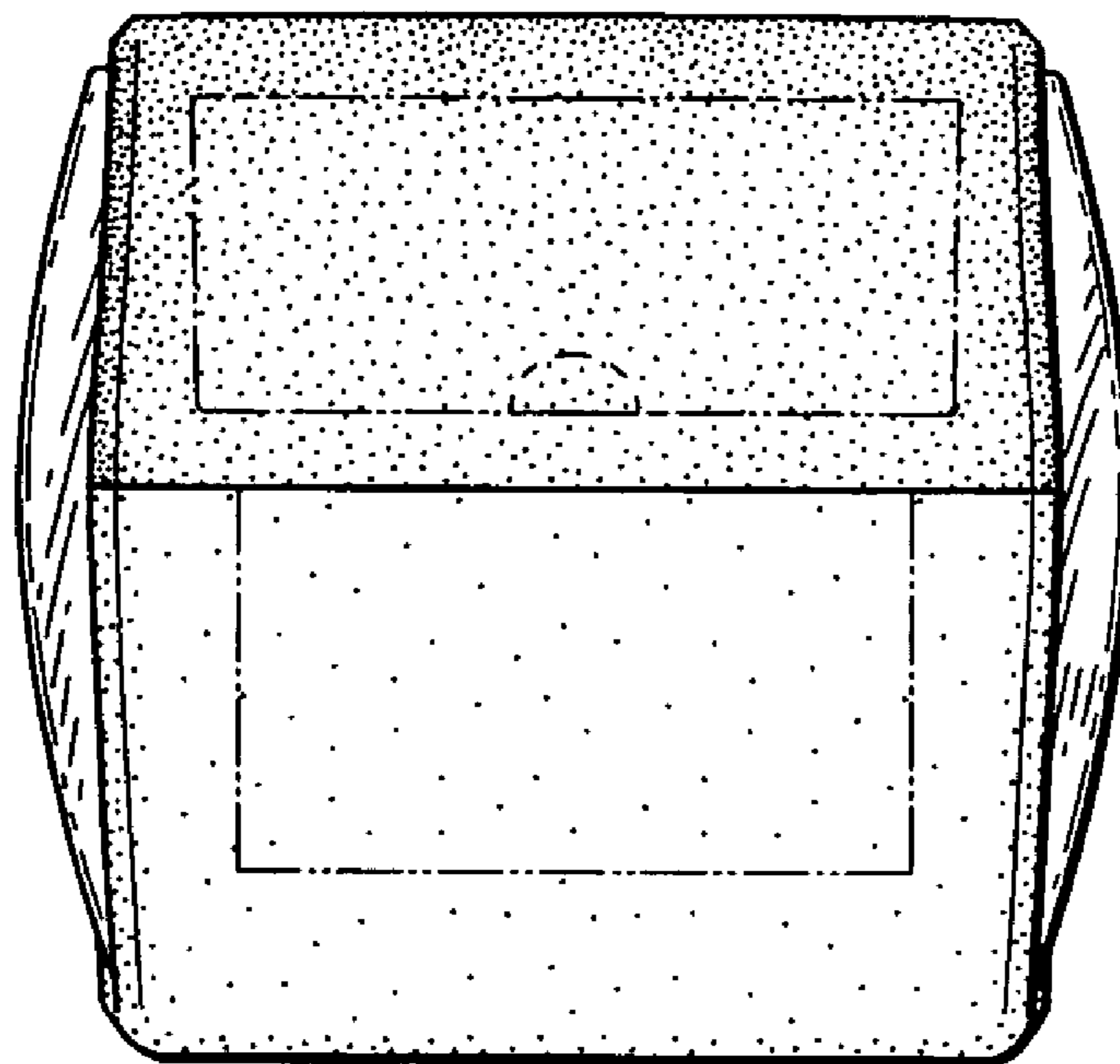


FIG. 4

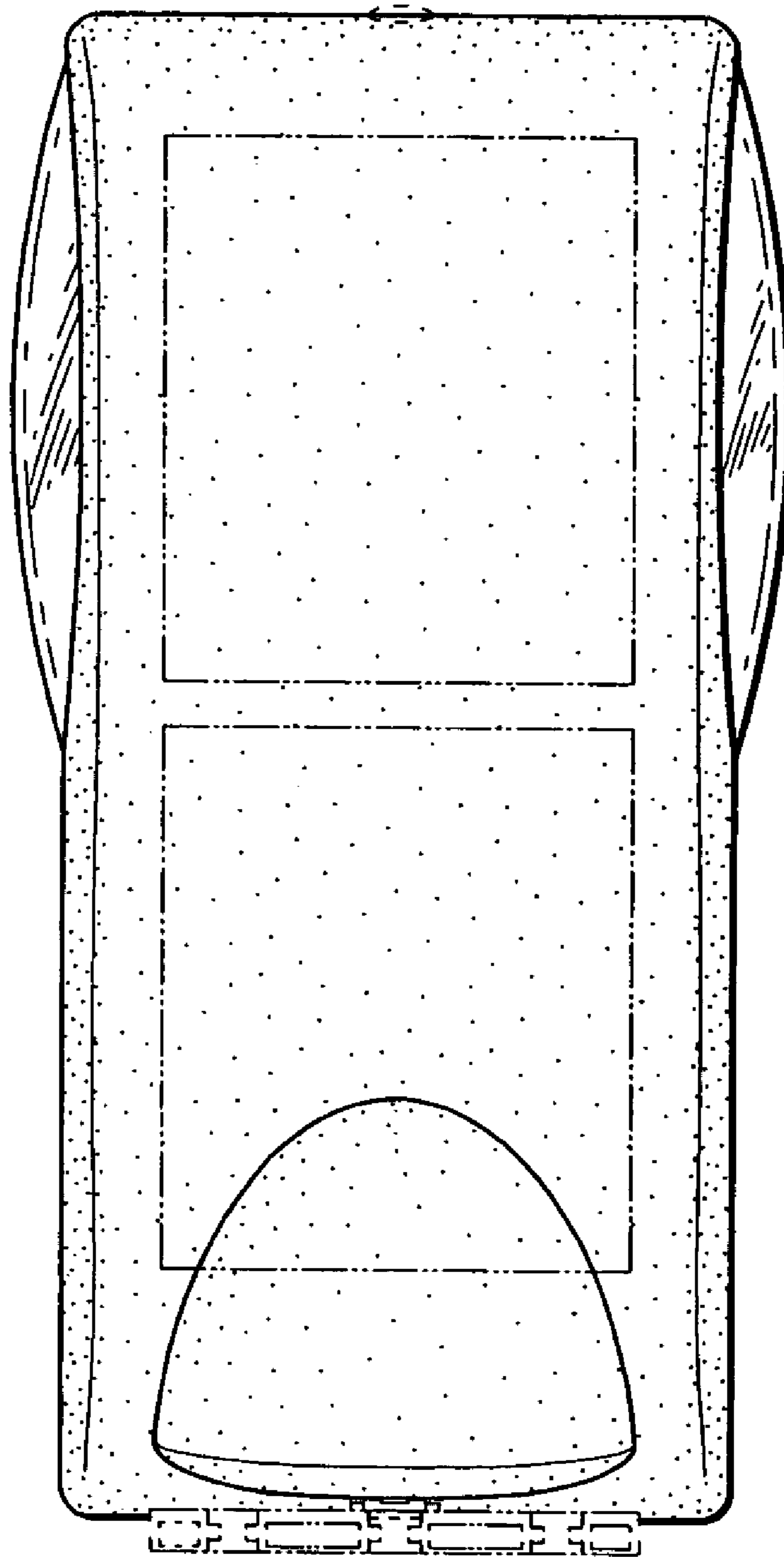


FIG. 5

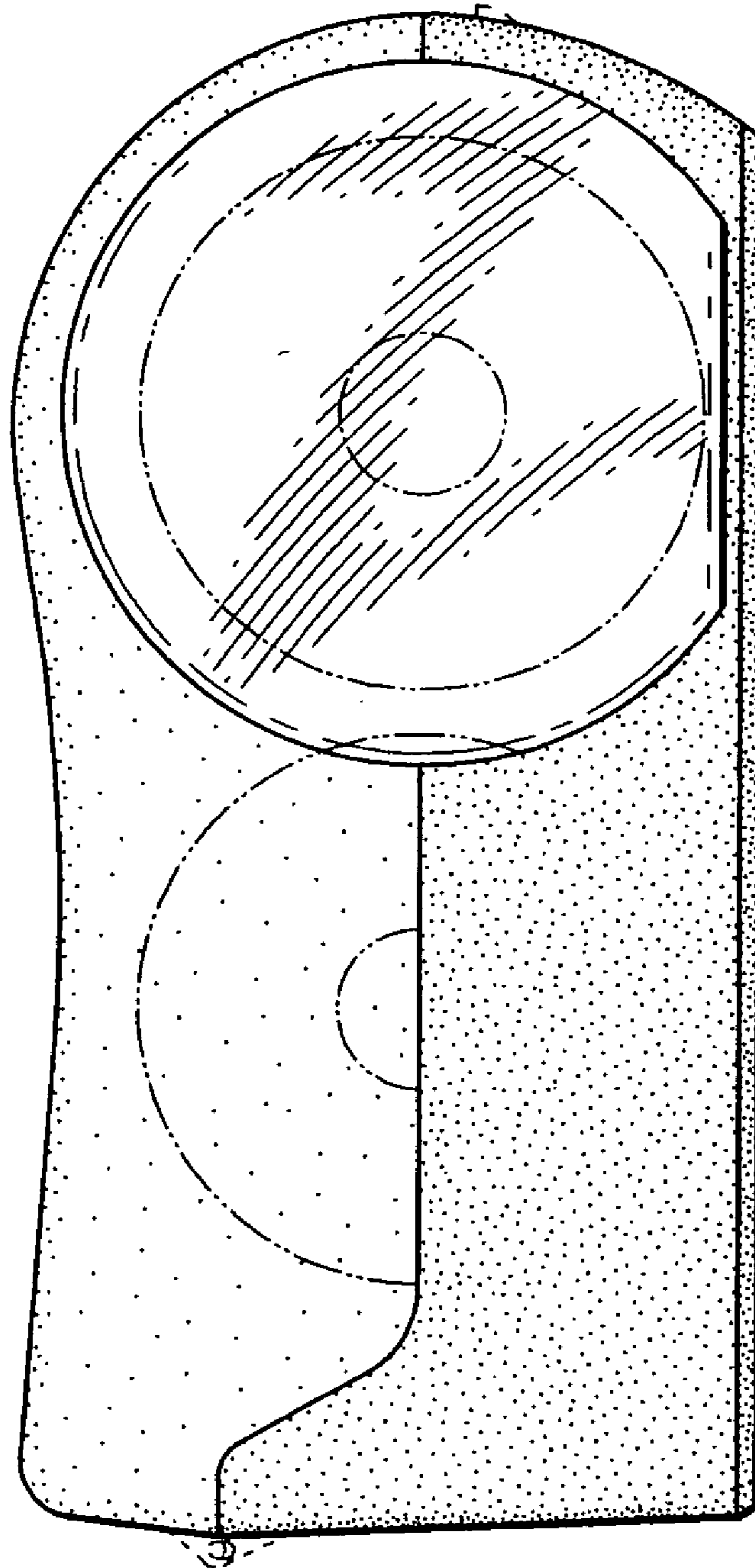


FIG. 6

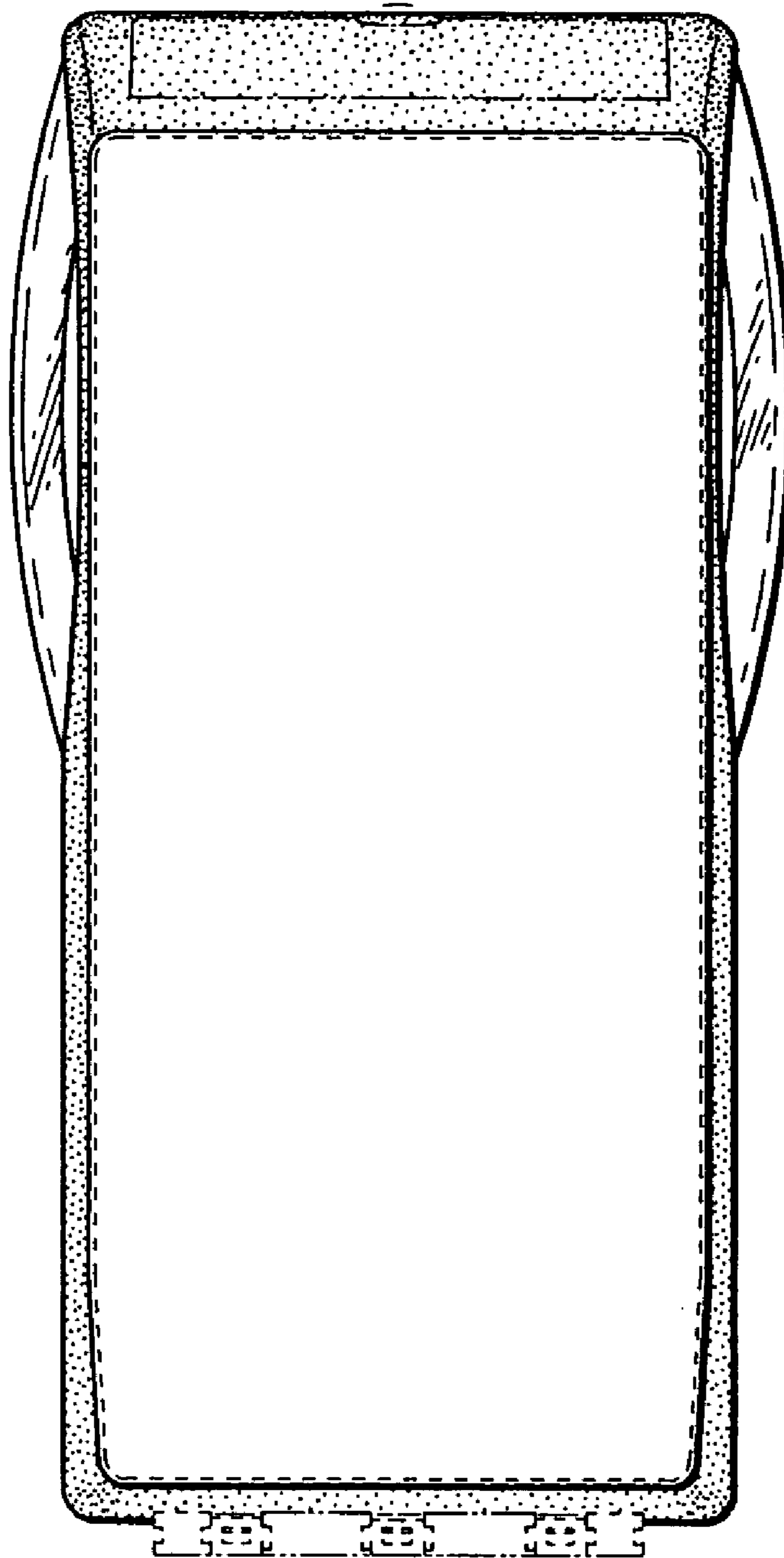


FIG. 7

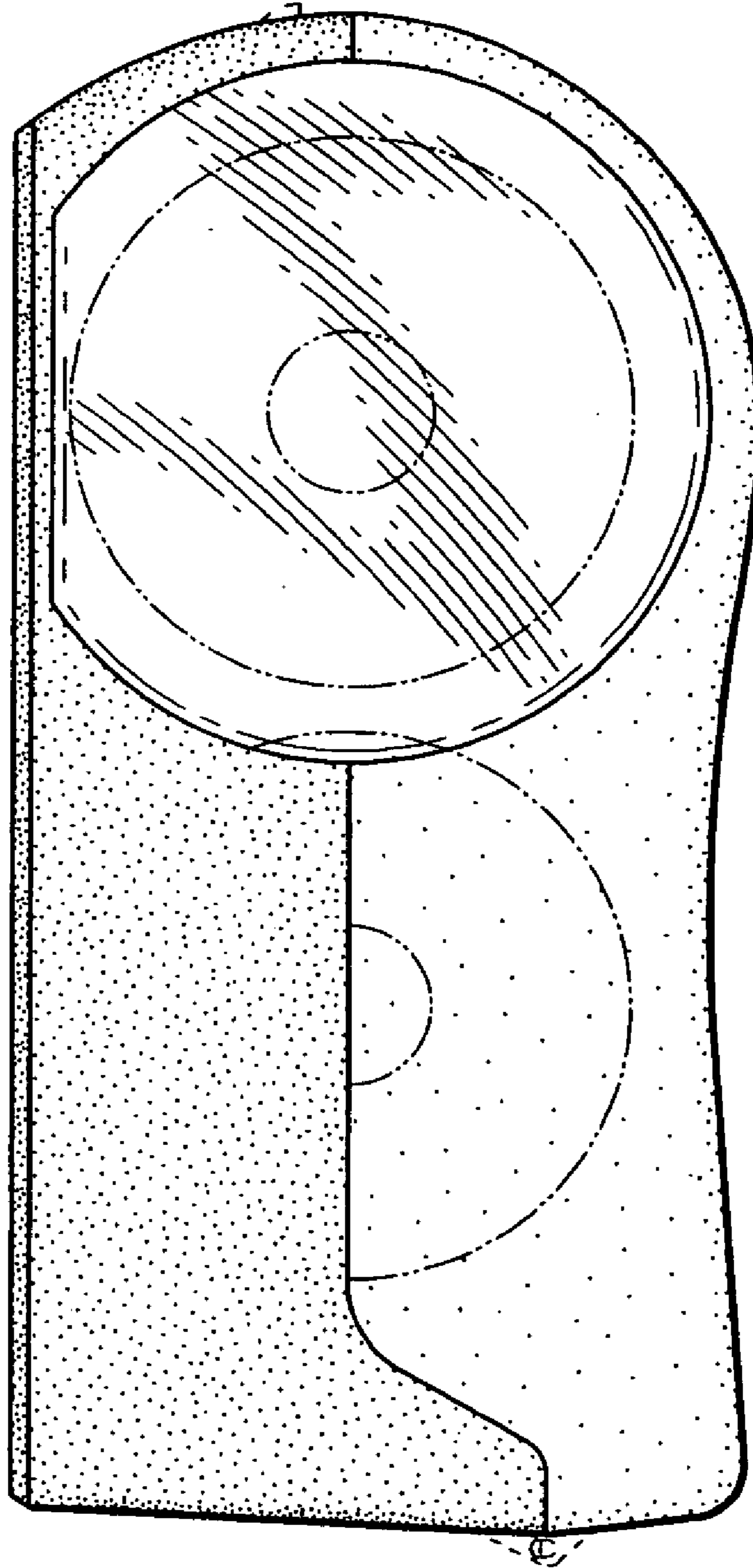


FIG. 8

