



US00D551474S

(12) **United States Design Patent**
Cittadino et al.

(10) **Patent No.:** **US D551,474 S**

(45) **Date of Patent:** **** Sep. 25, 2007**

(54) **DISPENSER HOUSING**

(75) Inventors: **Antonio M. Cittadino**, Appleton, WI (US); **Matthew T. Wilcox**, De Pere, WI (US); **Michael R. Kilgore**, Little Suamico, WI (US); **Karl D. Kissinger**, Appleton, WI (US); **Todd D. Schuelke**, Fremont, WI (US)

(73) Assignee: **Georgia-Pacific Consumer Products LP**, Atlanta, GA (US)

(**) Term: **14 Years**

(21) Appl. No.: **29/266,995**

(22) Filed: **Oct. 3, 2006**

(51) **LOC (8) Cl.** **20-02**

(52) **U.S. Cl.** **D6/518**

(58) **Field of Classification Search** D6/515-523;
206/225, 233, 389, 391, 812, 824; 211/13.1,
211/45; 222/173, 180; 221/26, 33, 282-283;
242/570, 590; 248/309.1, 905

See application file for complete search history.

(56) **References Cited**

U.S. PATENT DOCUMENTS

2,121,346 A	6/1938	Harvey	
2,943,777 A *	7/1960	Dvoracek	D6/520
D356,707 S *	3/1995	Morand	D6/522
D363,628 S *	10/1995	McCanless	D6/522
5,628,474 A	5/1997	Krueger et al.	
D386,922 S *	12/1997	Sedlock	D6/522
D399,084 S *	10/1998	Tramontina	D6/522
D403,905 S *	1/1999	Tramontina	D6/522
6,032,898 A	3/2000	LaCount et al.	
D426,412 S *	6/2000	Cameron	D6/522

(Continued)

Primary Examiner—Brian N Vinson

(74) *Attorney, Agent, or Firm*—Joel T. Charlton

(57) **CLAIM**

The ornamental design for a dispenser housing, as shown.

DESCRIPTION

A portion of the disclosure of this patent document contains material to which a claim for copyright is made. The copyright owner has no objection to the facsimile reproduction by anyone of the patent document or the patent disclosure as it appears in the Patent and Trademark Office patent file or records, but reserves all other copyright rights whatsoever.

FIG. 1 is a perspective view of the dispenser housing in an open position;

FIG. 2 is a perspective view of the dispenser housing in a closed position;

FIG. 3 is a top plan view of dispenser housing of FIGS. 1 and 2;

FIG. 4 is a front view in elevation of the dispenser housing of FIGS. 1 and 2;

FIG. 5 is a right side view in elevation of the dispenser housing of FIGS. 1 and 2;

FIG. 6 is a rear view in elevation of the dispenser housing of FIGS. 1 and 2;

FIG. 7 is a left side view in elevation of the dispenser housing of FIGS. 1 and 2; and,

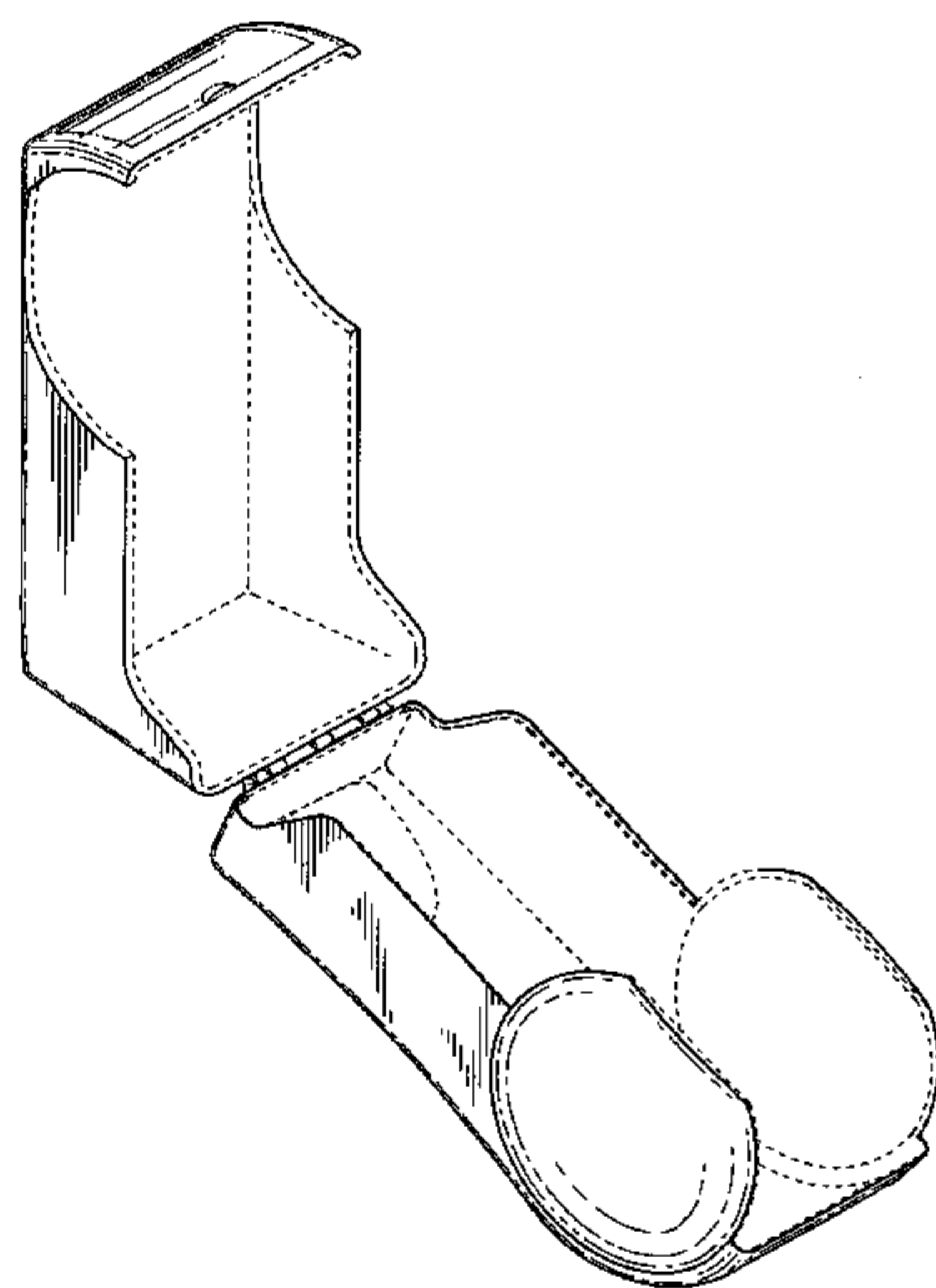
FIG. 8 is a bottom plan view of the dispenser housing of FIGS. 1 and 2.

The areas within dashed lines, that is, the back of the dispenser housing and the interior of the dispenser housing form no part of the claimed design.

Features shown in broken lines, that is, the hinge, dispensing aperture, auxiliary access door on the top of the dispenser and other features are shown to illustrate environment and likewise form no part of the claimed design.

The broken lines and the dashed lines form no part of the claimed design.

1 Claim, 8 Drawing Sheets



US D551,474 S

Page 2

U.S. PATENT DOCUMENTS

6,105,898	A	8/2000	Byrd et al.						
D441,231	S *	5/2001	Purcell et al.	D6/522					
D441,578	S *	5/2001	Andersson	D6/518					
6,293,486	B1	9/2001	Byrd et al.						
6,592,067	B2	7/2003	Denen et al.						
6,607,160	B2	8/2003	Lewis et al.						
6,685,074	B2	2/2004	Gracyalny et al.						
6,695,246	B1	2/2004	Elliott et al.						
6,752,349	B2	6/2004	Moody et al.						
6,793,170	B2	9/2004	Denen et al.						
6,854,684	B2	2/2005	Byrd et al.						
					6,871,815	B2	3/2005	Moody et al.	
					6,895,848	B1	5/2005	Svensson	
					7,017,856	B2	3/2006	Moody et al.	
					D525,063	S *	7/2006	Woods et al.	D6/518
					2002/0109035	A1	8/2002	Denen et al.	
					2003/0197086	A1	10/2003	Denen et al.	
					2004/0035976	A1	2/2004	Byrd et al.	
					2004/0041057	A1	3/2004	Byrd et al.	
					2004/0135027	A1	7/2004	Elliott et al.	
					2004/0178297	A1	9/2004	Moody et al.	
					2006/0054733	A1	3/2006	Moody et al.	

* cited by examiner

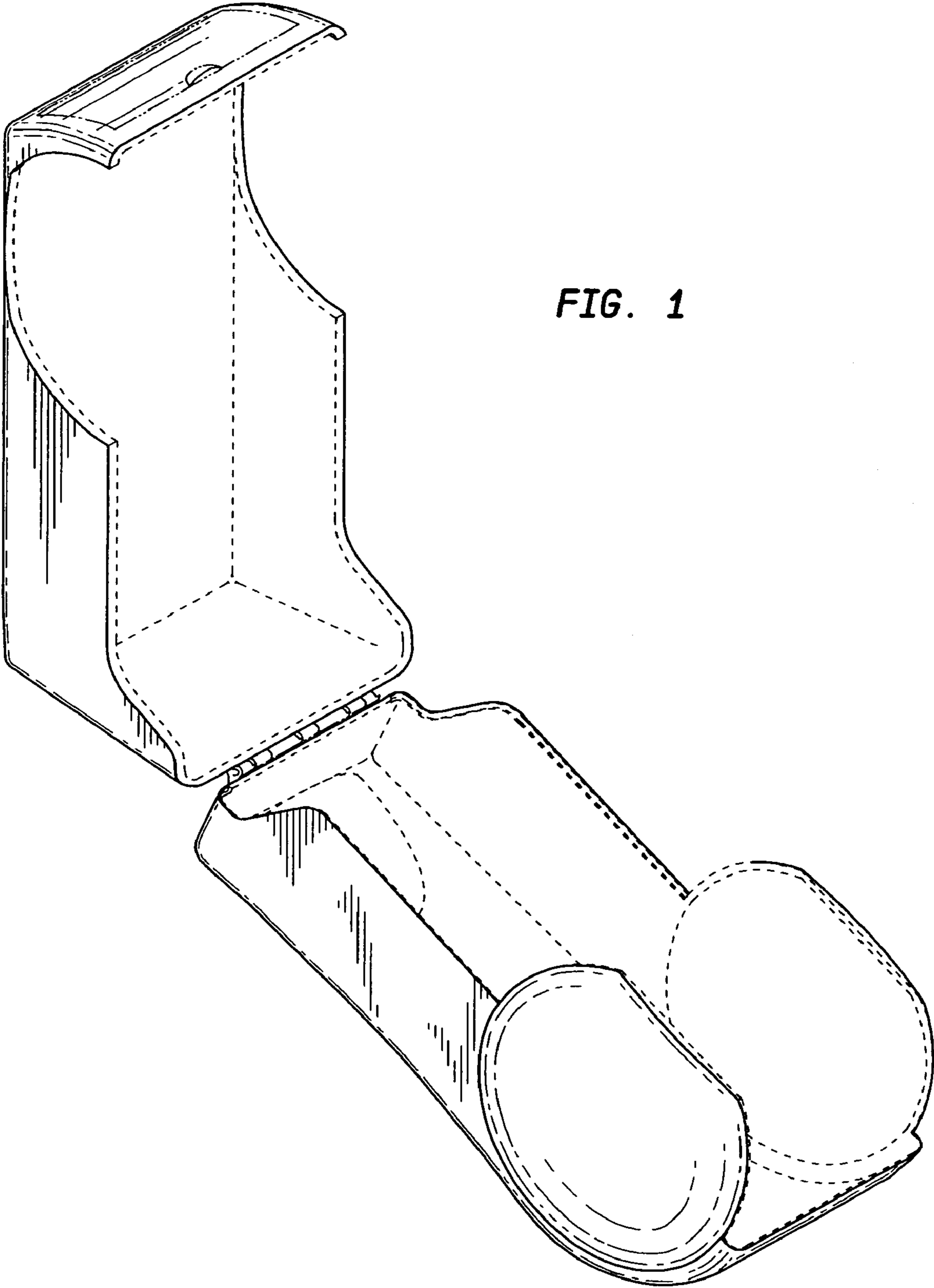


FIG. 1

FIG. 2

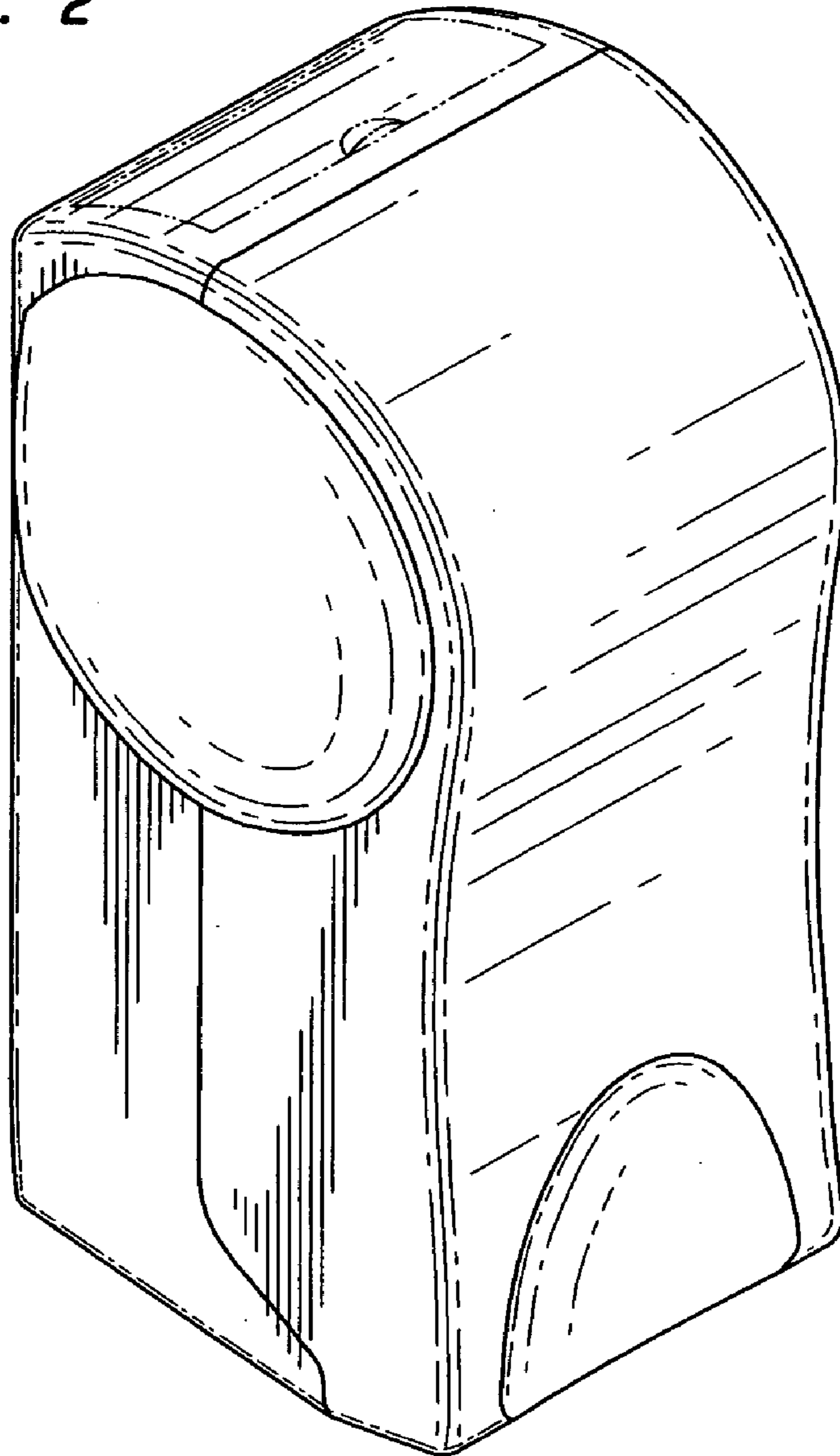


FIG. 3

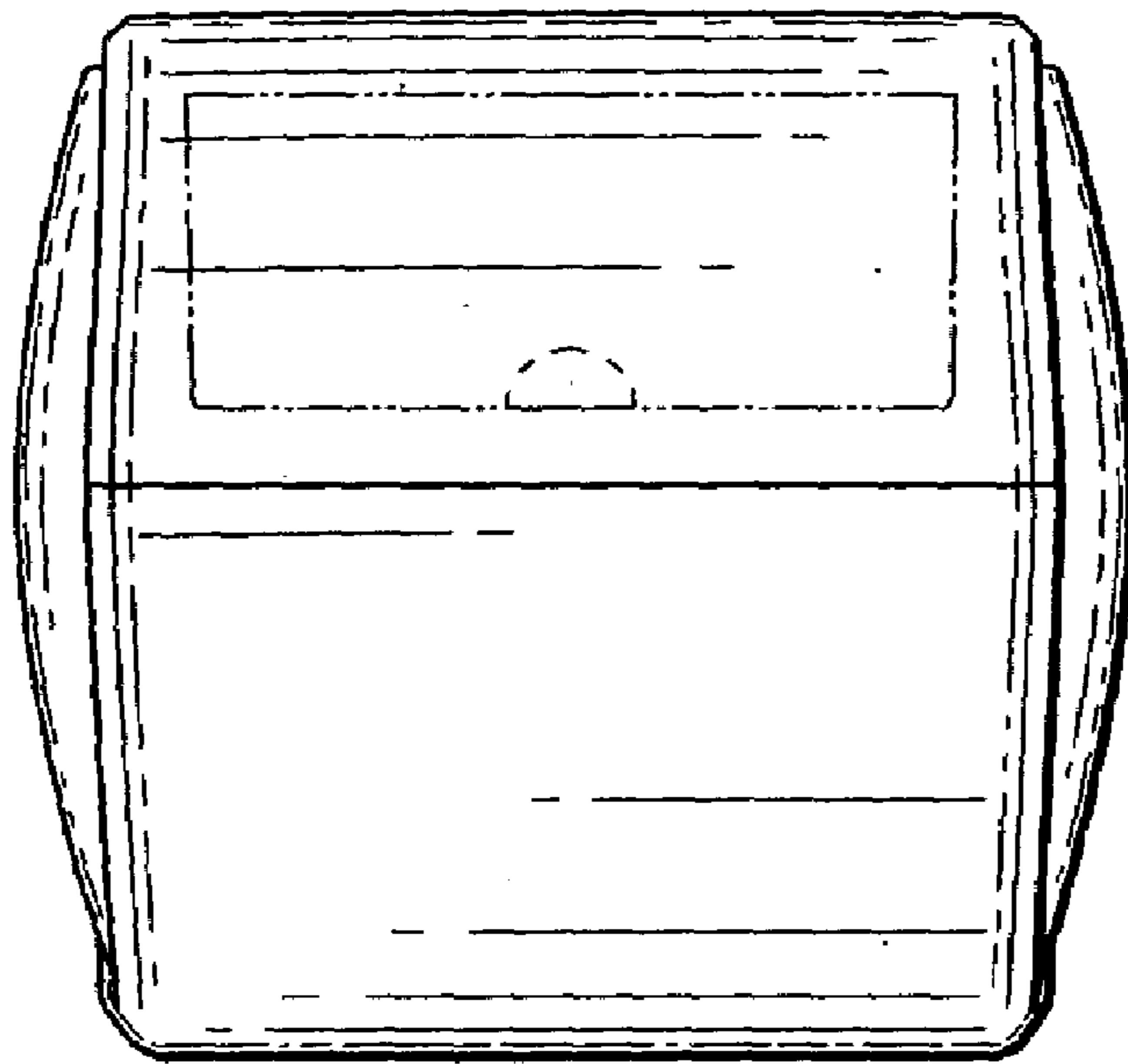


FIG. 4

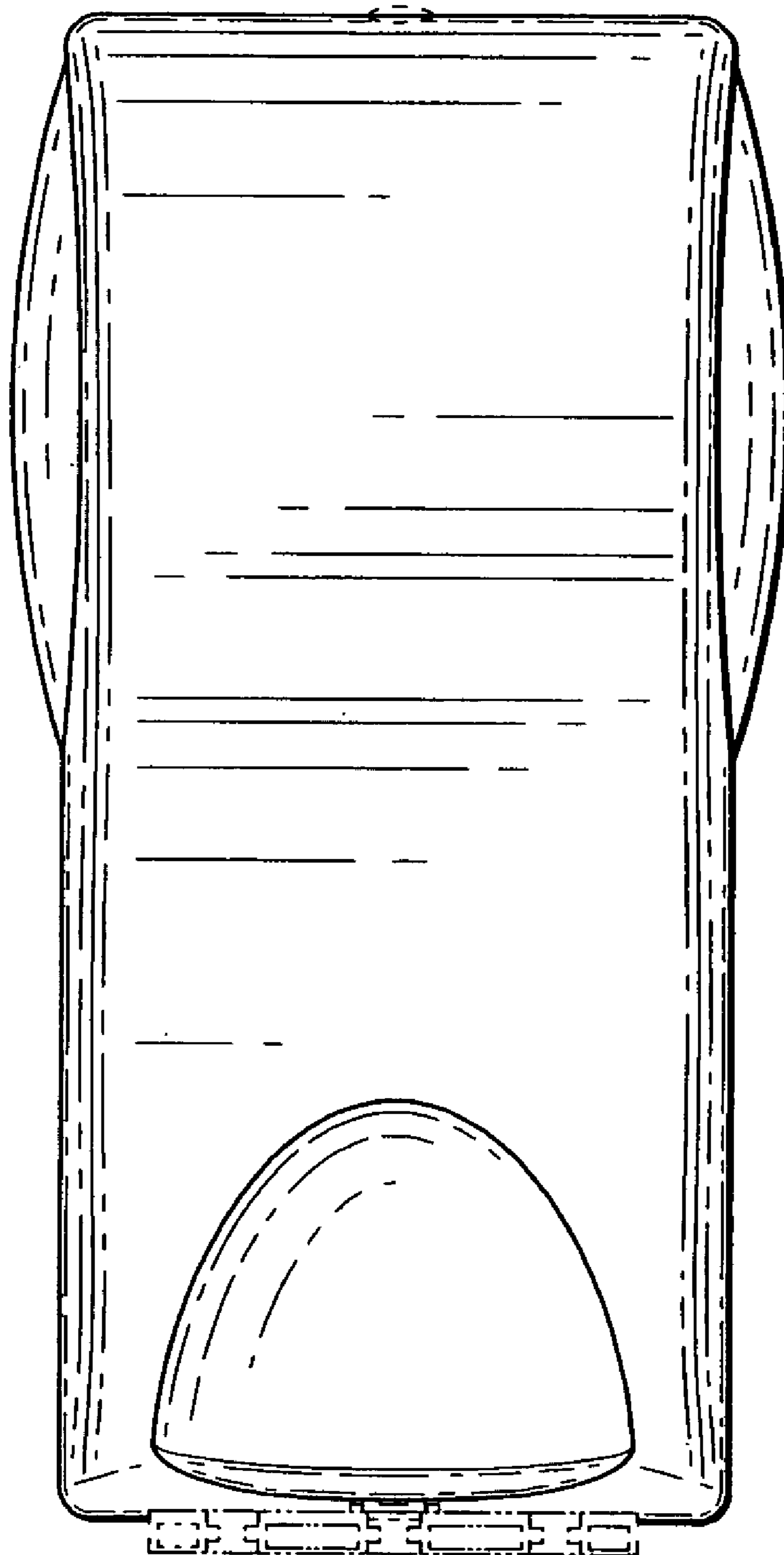


FIG. 5

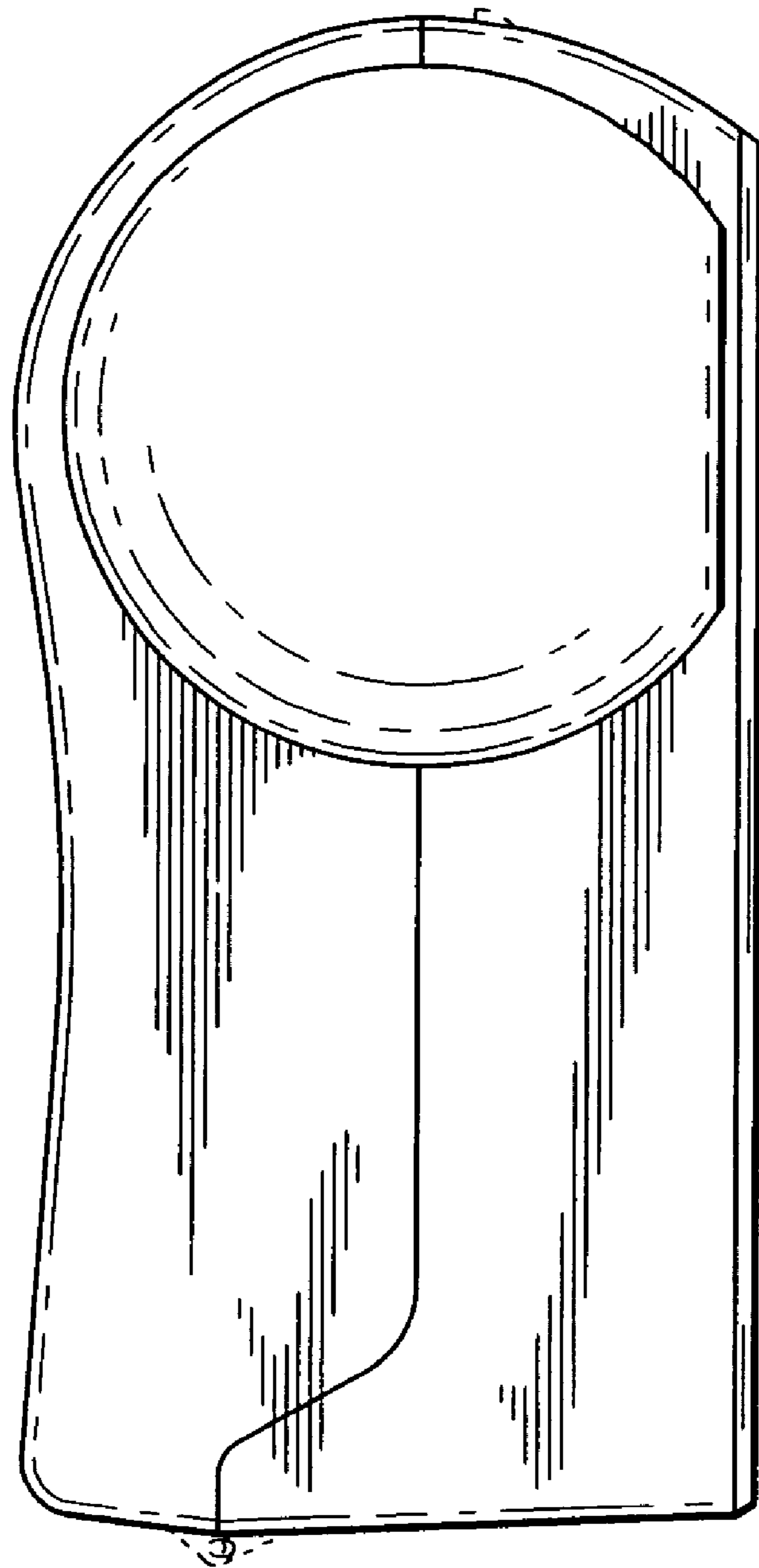


FIG. 6

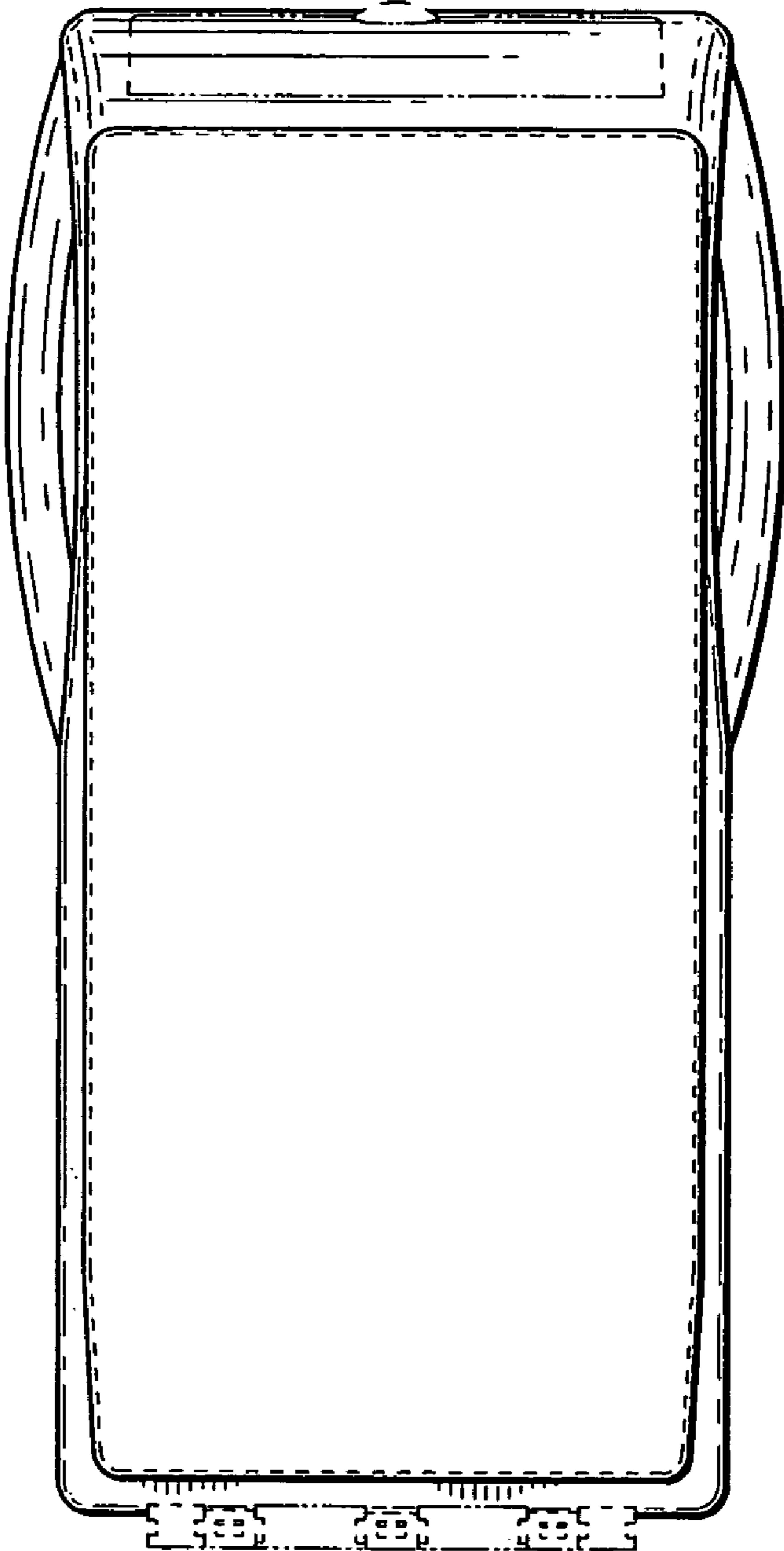


FIG. 7

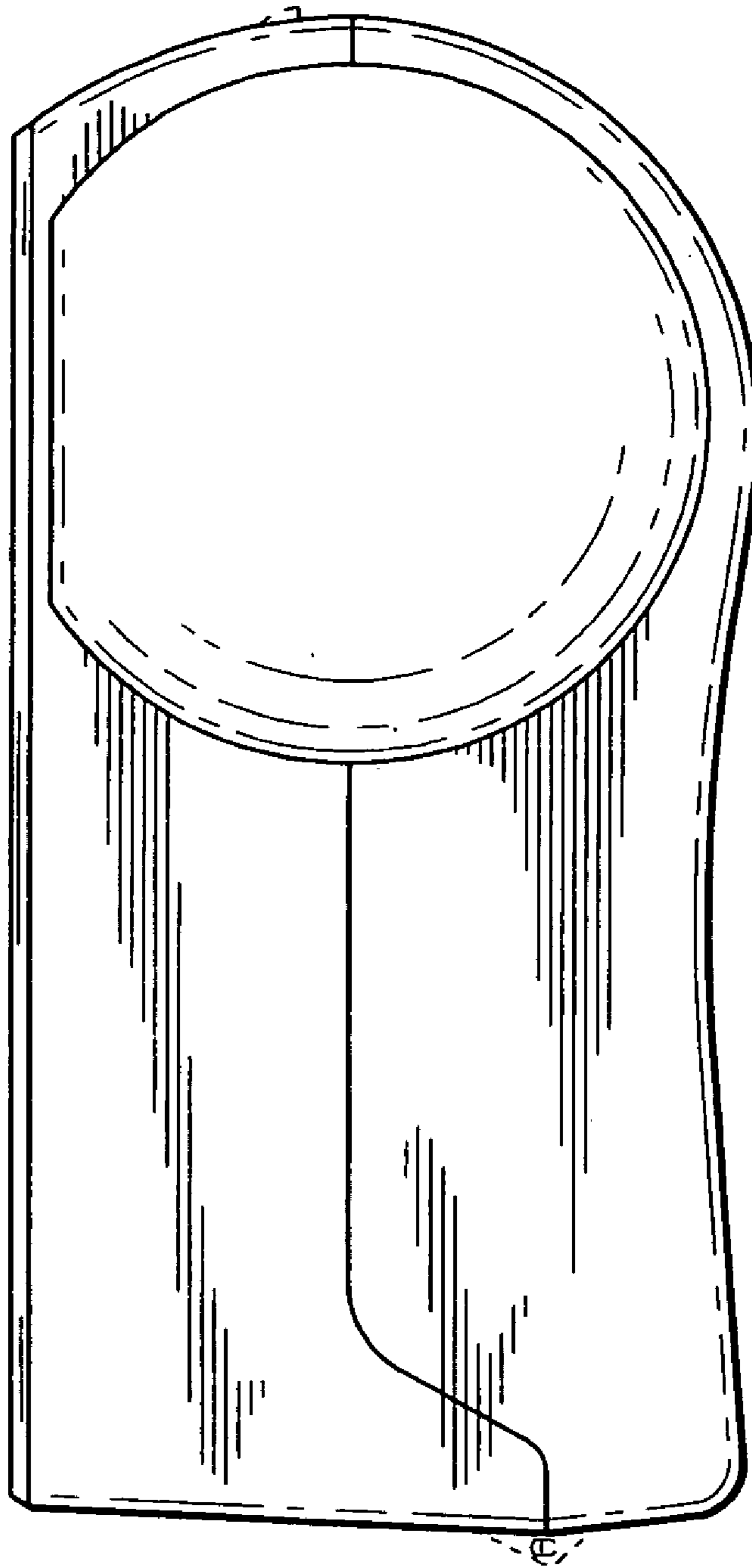


FIG. 8

