



US00D551469S

(12) **United States Design Patent**
Bibi

(10) **Patent No.:** **US D551,469 S**

(45) **Date of Patent:** **** Sep. 25, 2007**

(54) **TABLE**

(76) **Inventor:** **Reuben Bibi**, E. Josef, Inc., P.O. Box 230048, Brooklyn, NY (US) 11223

(**) **Term:** **14 Years**

(21) **Appl. No.:** **29/253,316**

(22) **Filed:** **Feb. 3, 2006**

(51) **LOC (8) Cl.** **06-03**

(52) **U.S. Cl.** **D6/480; D21/397**

(58) **Field of Classification Search** D6/480-489, D6/495-499, 422-426, 451, 429, 430; 108/150, 108/153.1, 155, 156, 157.1, 161, 157.18, 108/11, 62, 34; 248/188, 188.1; D21/397
See application file for complete search history.

(56) **References Cited**

U.S. PATENT DOCUMENTS

| | | | | | | |
|-----------|---|---|---------|----------------|-------|---------|
| 3,001,843 | A | * | 9/1961 | Davis | | 108/62 |
| D252,770 | S | * | 8/1979 | Van Koert | | D21/784 |
| D348,578 | S | * | 7/1994 | Keller | | D6/484 |
| D457,748 | S | * | 5/2002 | Wistehuff, Sr. | | D6/436 |
| D490,254 | S | * | 5/2004 | Stanton | | D6/484 |
| D513,908 | S | * | 1/2006 | Bibi | | D6/480 |
| D513,909 | S | * | 1/2006 | Bibi | | D6/484 |
| D533,737 | S | * | 12/2006 | Bibi | | D6/484 |

D534,744 S * 1/2007 Bibi D6/484

* cited by examiner

Primary Examiner—Janice Seeger

(74) *Attorney, Agent, or Firm*—Ezra Sutton, Esq.

(57) **CLAIM**

The ornamental design for a table, as shown and described.

DESCRIPTION

FIG. 1 is a front perspective view of a table embodying my new design with a first playing surface on the top of the table;

FIG. 2 is a front perspective view of the table embodying my new design with a second playing surface rotated to the top of the table;

FIG. 3 is a top plan view;

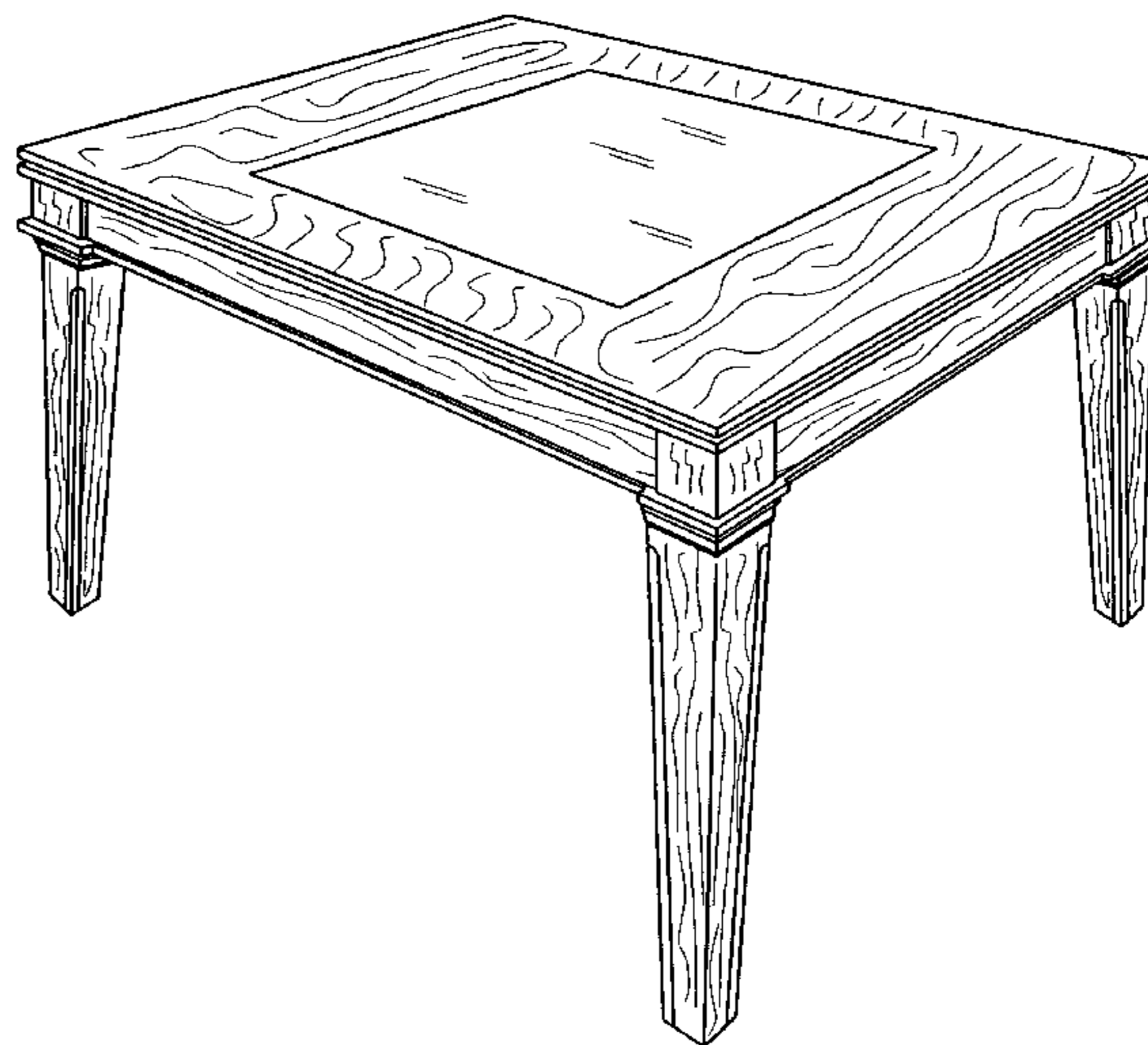
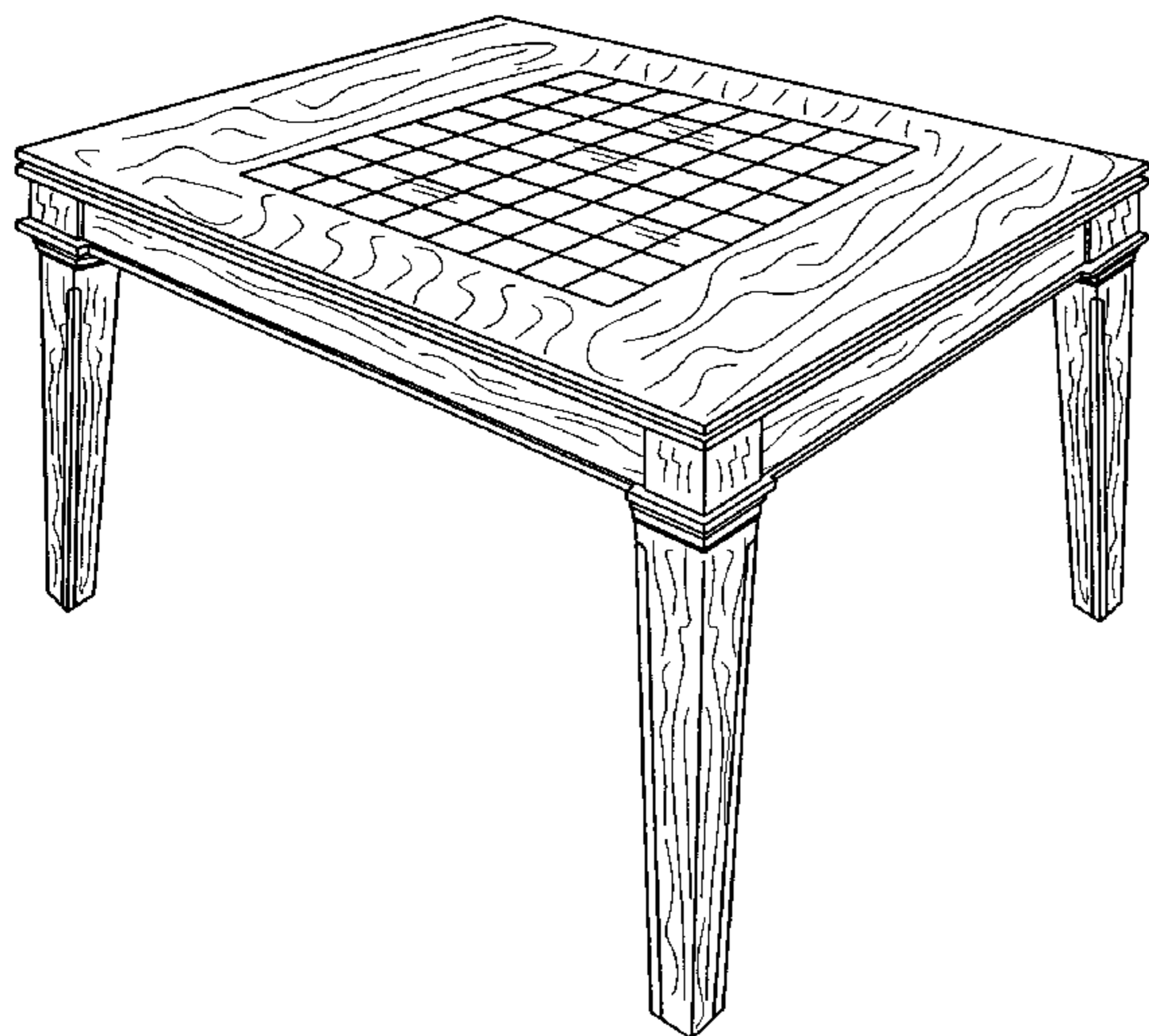
FIG. 4 is a bottom plan view;

FIG. 5 is a front elevational view, the rear being a mirror image thereof; and

FIG. 6 is a left side elevational view, the right being a mirror image thereof; and,

FIG. 7 is a perspective view of an alternate embodiment of the table embodying my new design having a square shape.

1 Claim, 5 Drawing Sheets



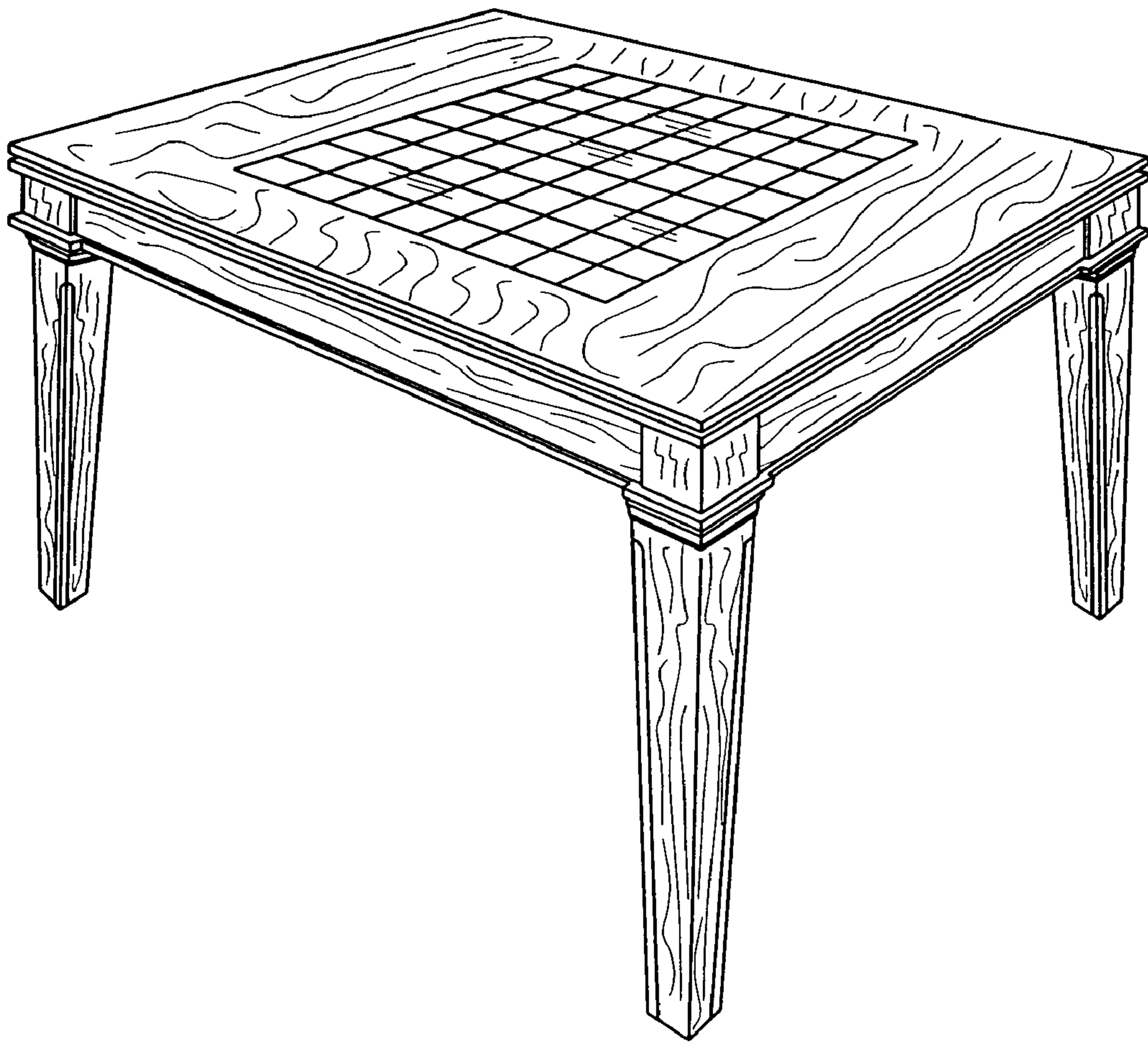


FIG. 1

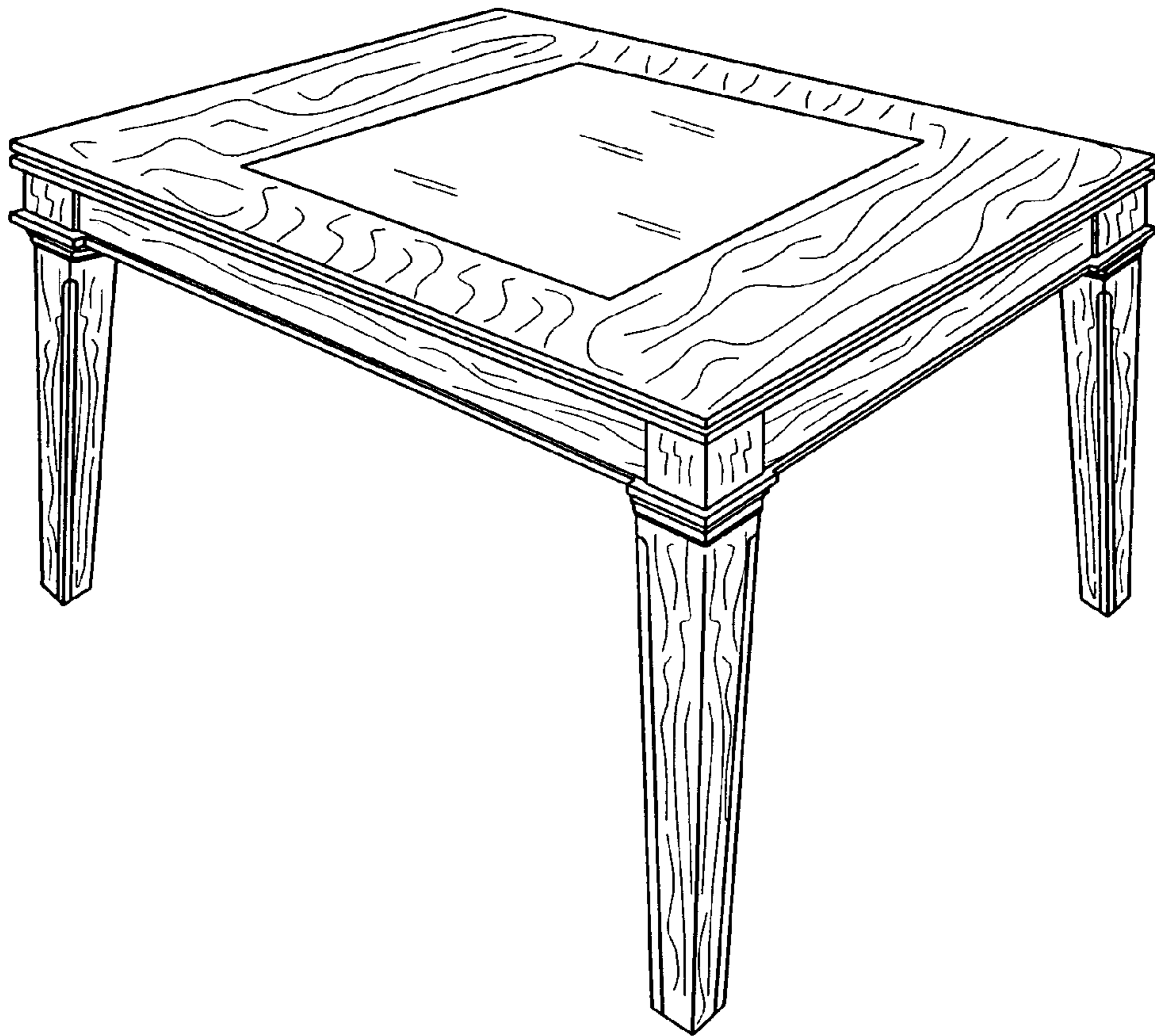


FIG. 2

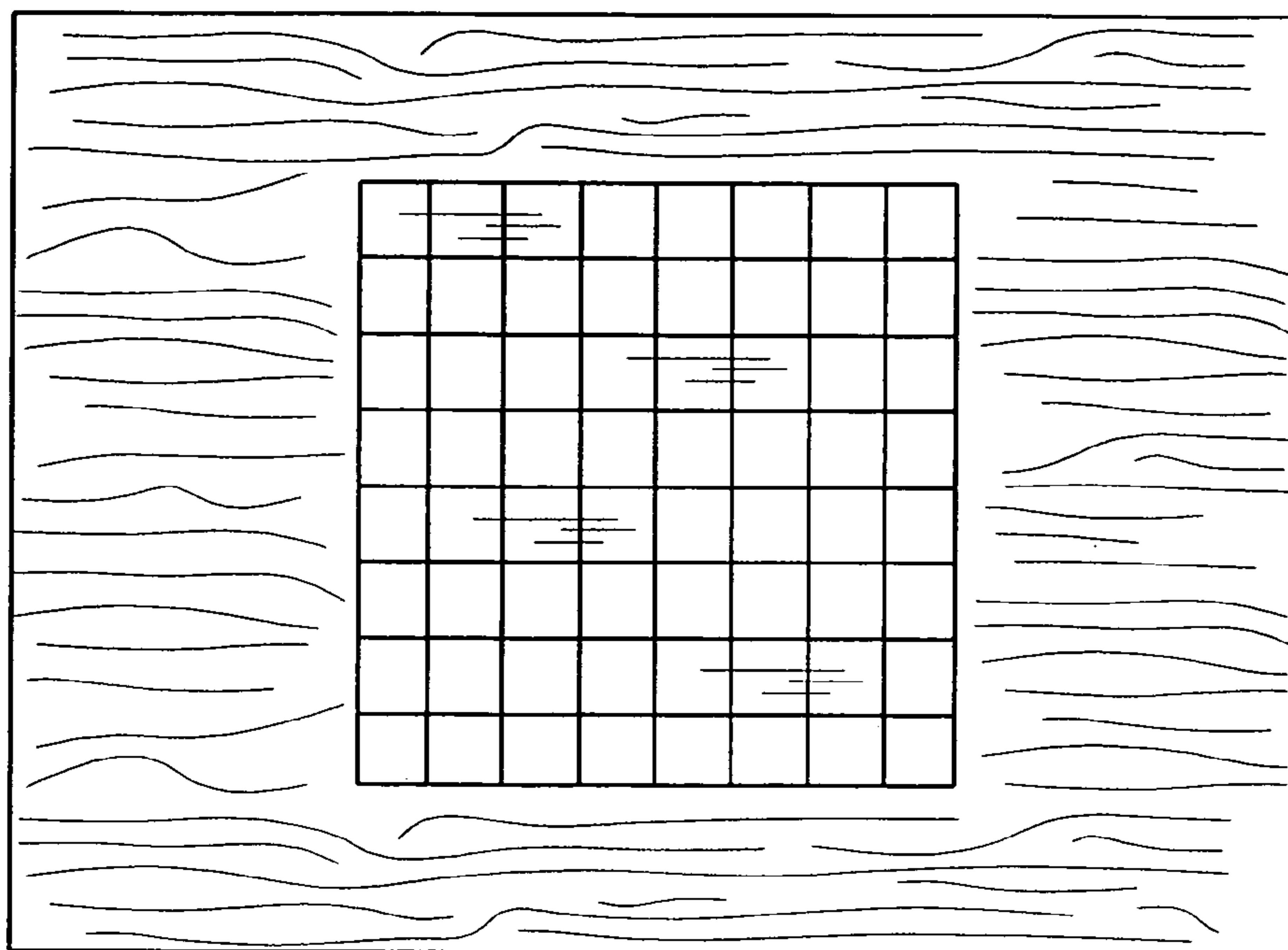


FIG. 3

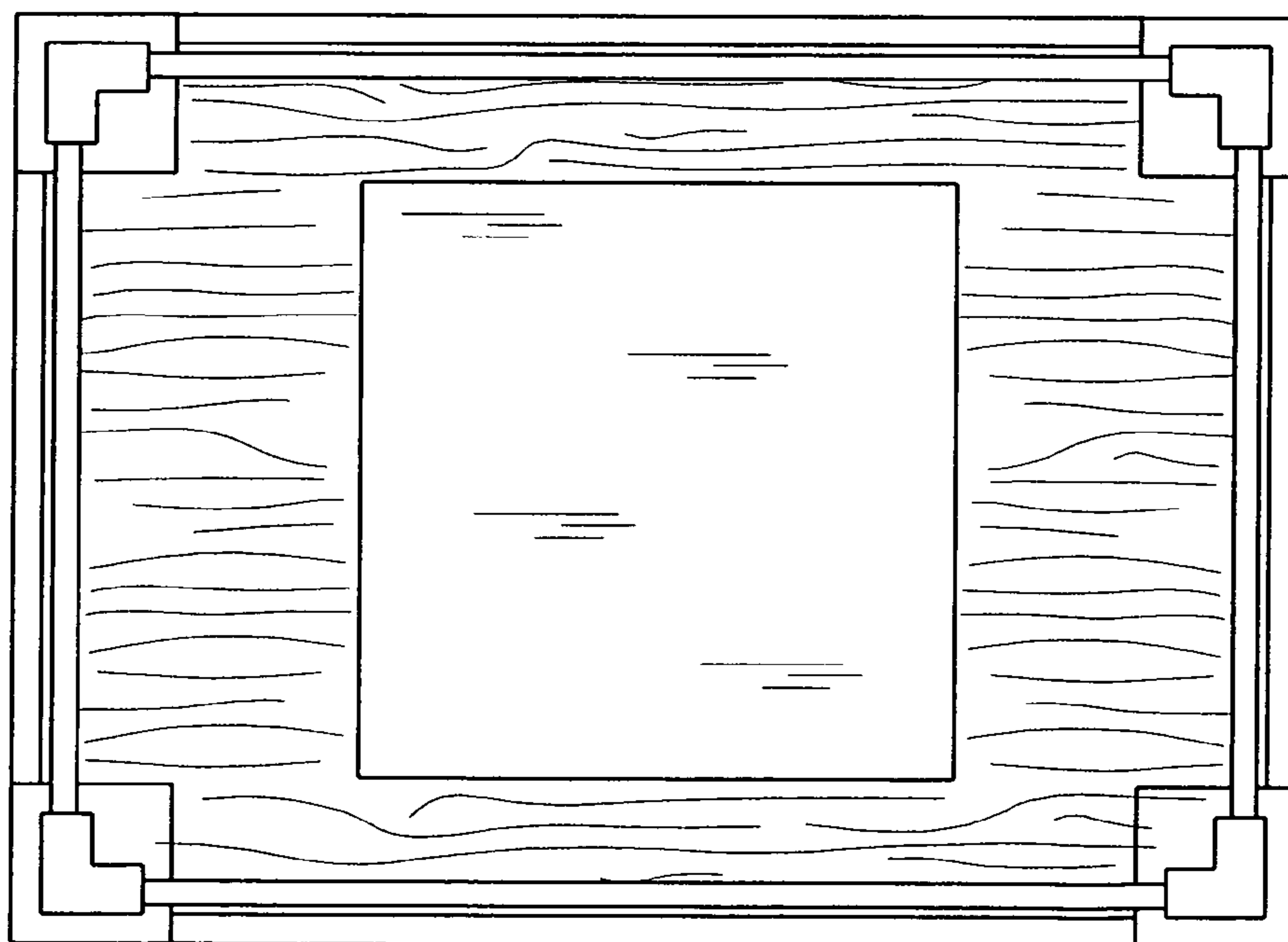


FIG. 4

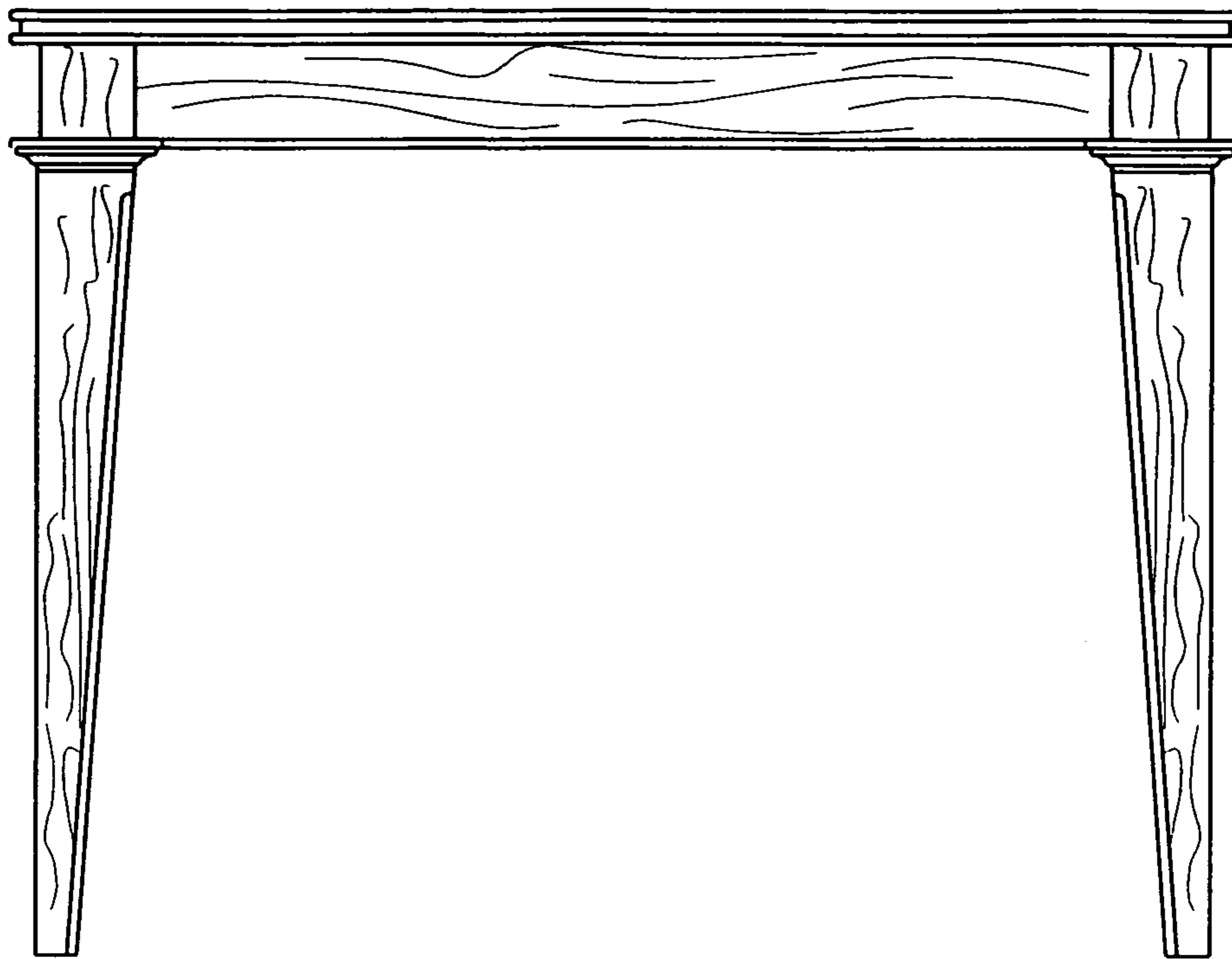


FIG. 5

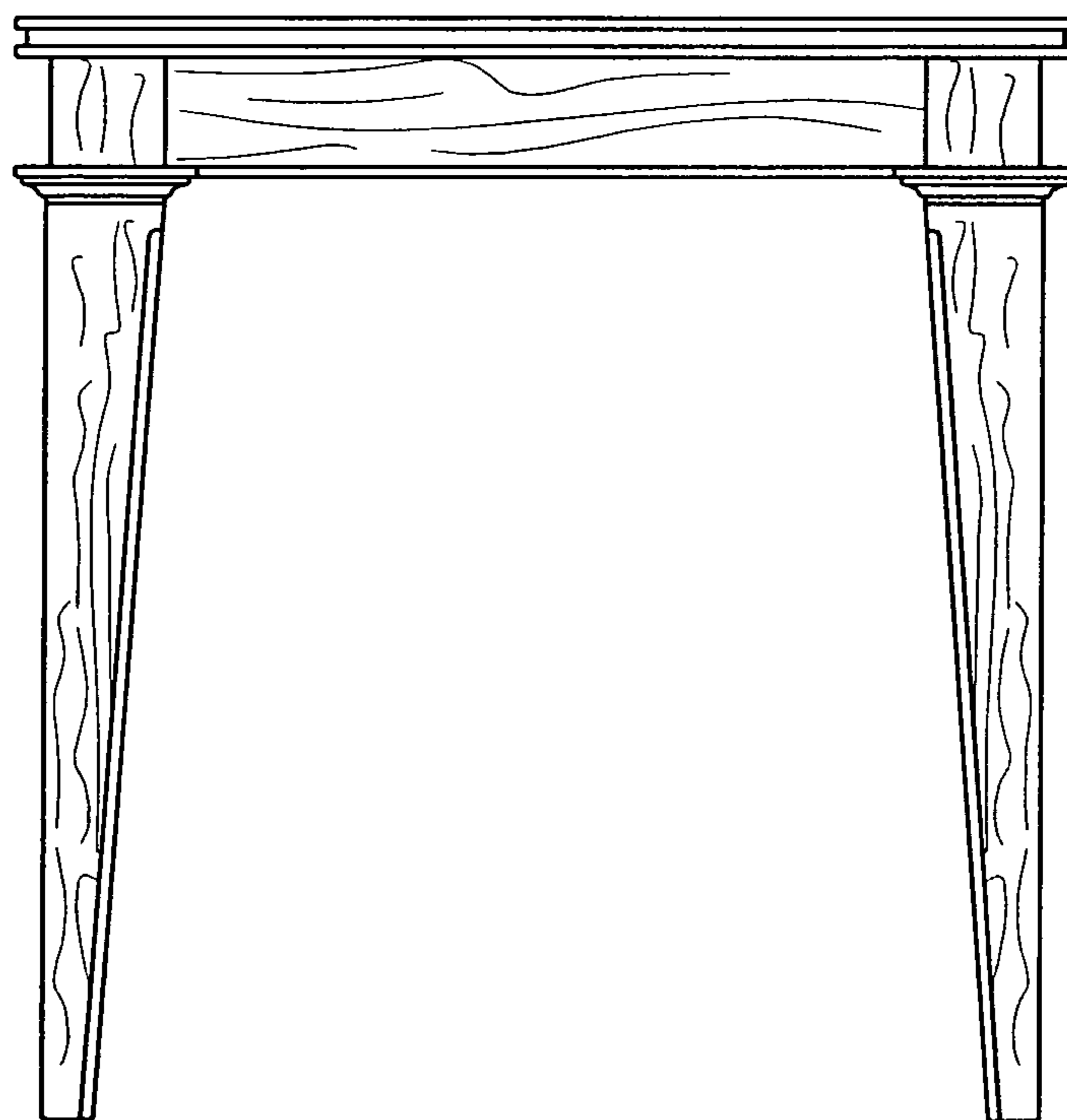


FIG. 6

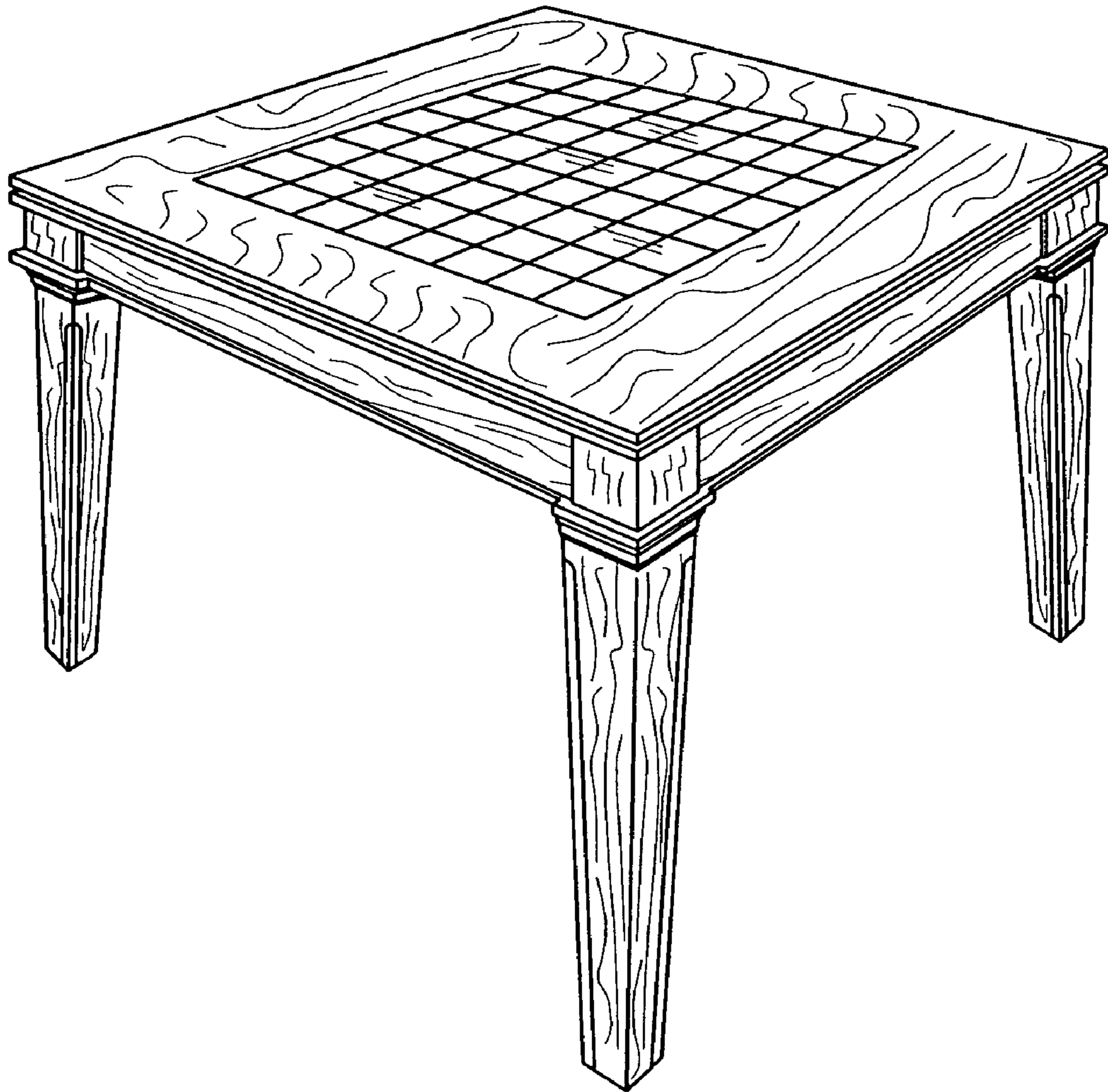


FIG. 7