



US00D551468S

(12) **United States Design Patent**  
**Hoglan et al.**

(10) **Patent No.:** **US D551,468 S**

(45) **Date of Patent:** **\*\* Sep. 25, 2007**

(54) **TABLES FOR AUDIO/VISUAL EQUIPMENT**

D497,741 S \* 11/2004 Sexton ..... D6/479  
D517,350 S \* 3/2006 Sexton ..... D6/479  
D534,379 S \* 1/2007 Juneau ..... D6/484

(75) Inventors: **Korry Hoglan**, Phoenix, AZ (US);  
**Zachary Eyman**, Phoenix, AZ (US);  
**Brett Stenhouse**, Phoenix, AZ (US)

\* cited by examiner

(73) Assignee: **Omnimount Systems, Inc.**, Phoenix,  
AZ (US)

*Primary Examiner*—Cathron C. Brooks  
*Assistant Examiner*—Kelley A. Donnelly  
(74) *Attorney, Agent, or Firm*—Hogan & Hartson LLP

(\*\*) Term: **14 Years**

(57) **CLAIM**

(21) Appl. No.: **29/263,824**

The ornamental design for table for audio/visual equipment,  
as shown and described.

(22) Filed: **Jul. 28, 2006**

(51) **LOC (8) Cl.** ..... **06-04**

**DESCRIPTION**

(52) **U.S. Cl.** ..... **D6/479**

(58) **Field of Classification Search** ..... D6/474,  
D6/477-479, 480-489, 495, 450-451, 436,  
D6/460; 108/153.1, 155-156, 161, 155.7;  
248/188, 188.1, 188.8; 211/40-42, 40.12  
See application file for complete search history.

FIG. 1 is a top, left isometric view of a table for audio/visual  
equipment showing our design.

FIG. 2 is a front elevational view thereof; the rear eleva-  
tional view is a mirror image of FIG. 2.

FIG. 3 is a right-side elevational view thereof; the left-side  
view is a mirror image of FIG. 3.

FIG. 4 is a top plan view thereof; and,

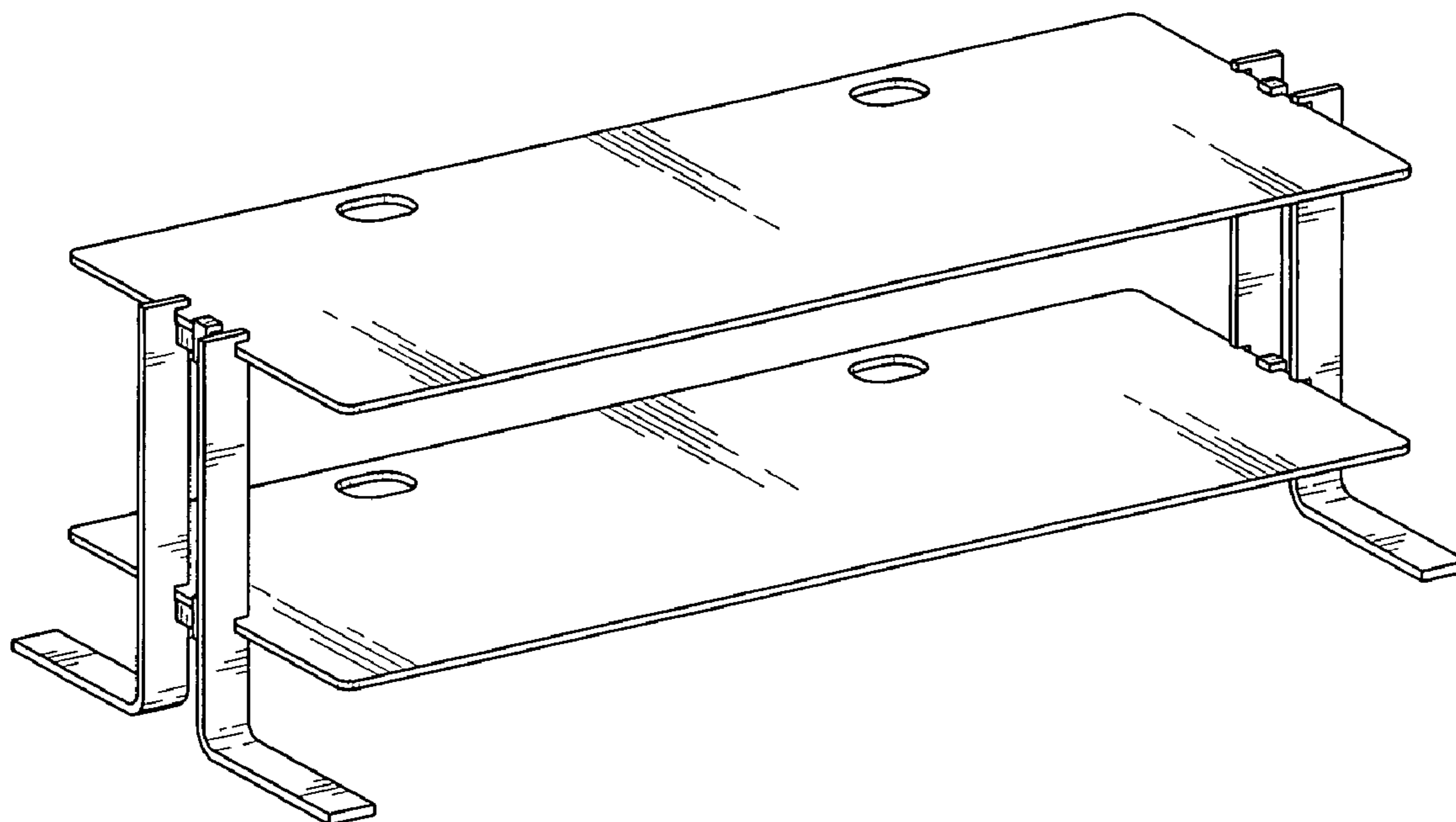
FIG. 5 is a bottom plan view thereof.

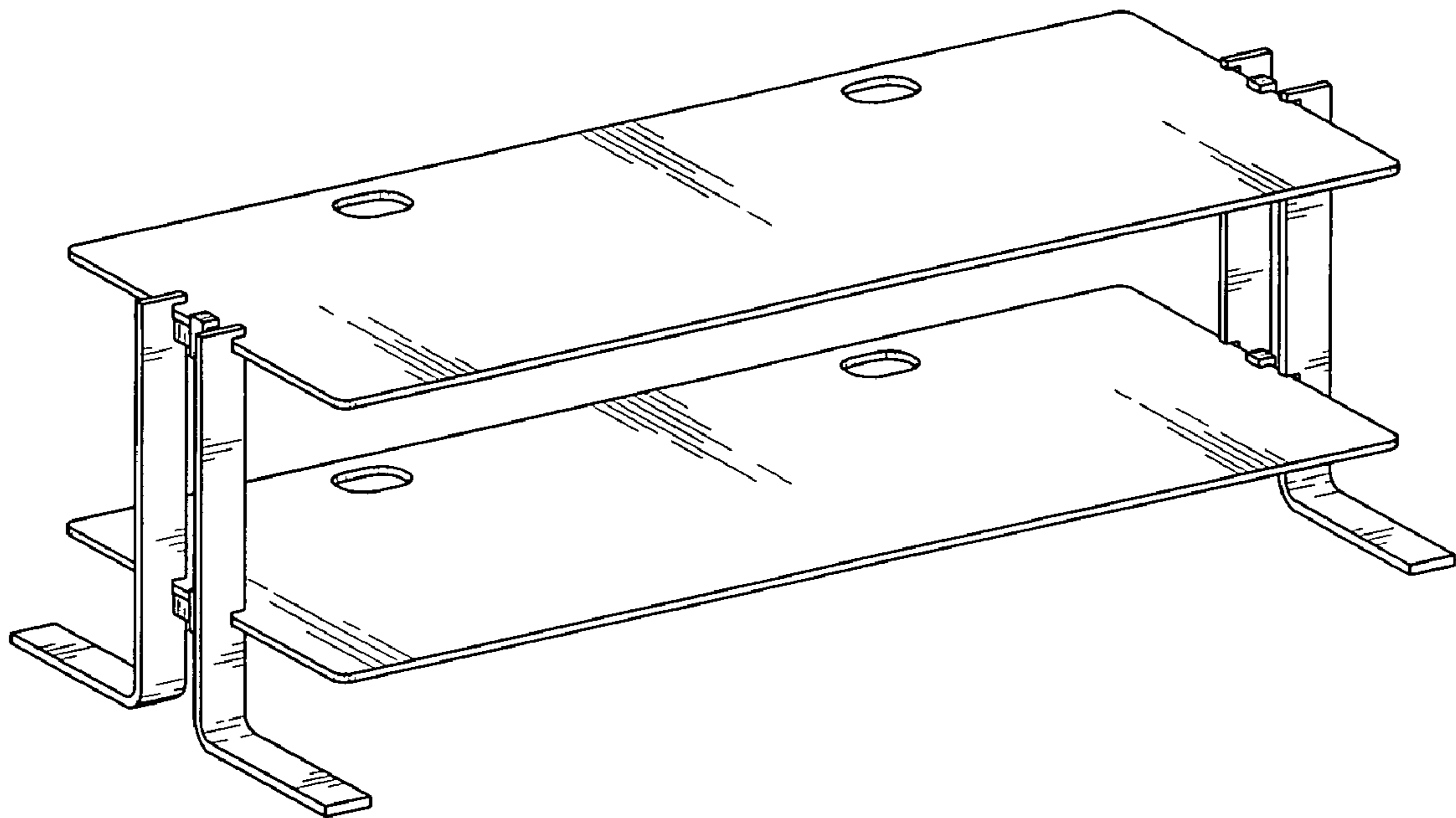
(56) **References Cited**

**U.S. PATENT DOCUMENTS**

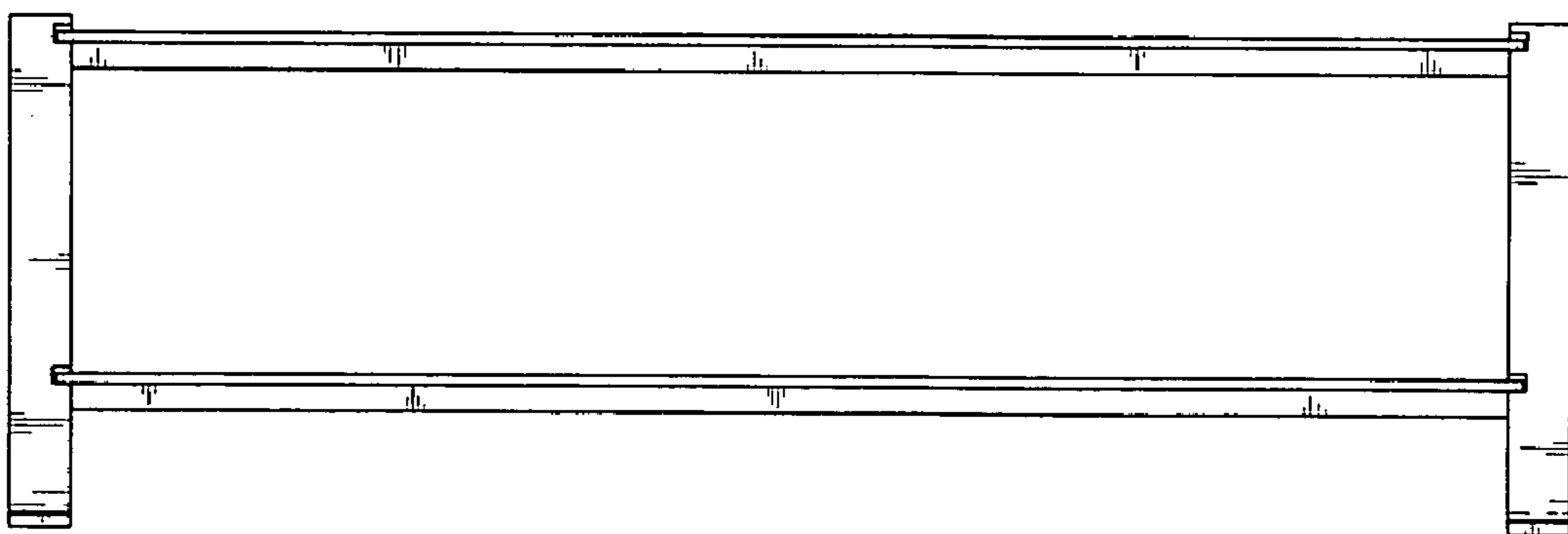
D249,857 S \* 10/1978 Adkinson ..... D6/477  
D318,966 S \* 8/1991 Schroff et al. .... D6/474

**1 Claim, 2 Drawing Sheets**

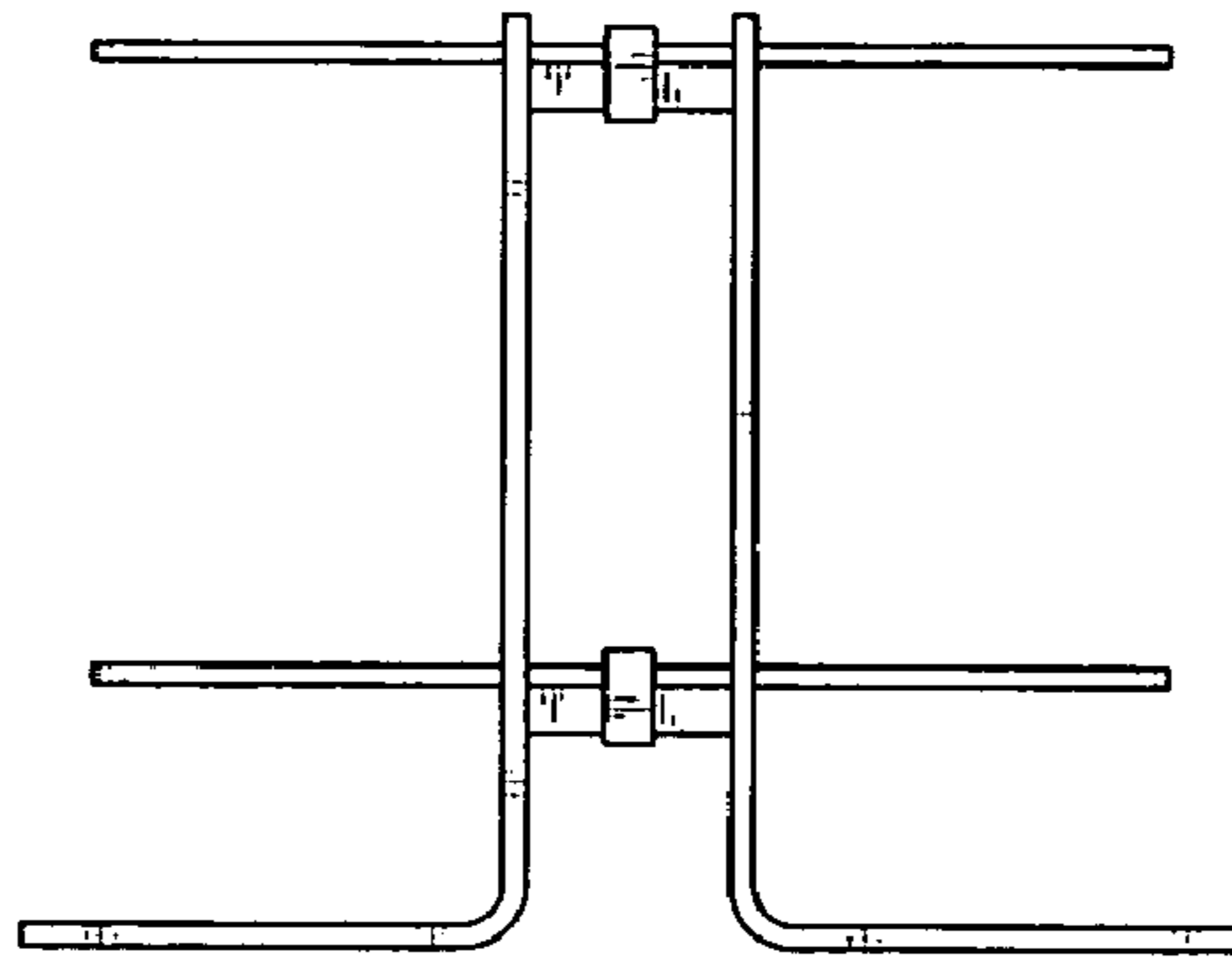




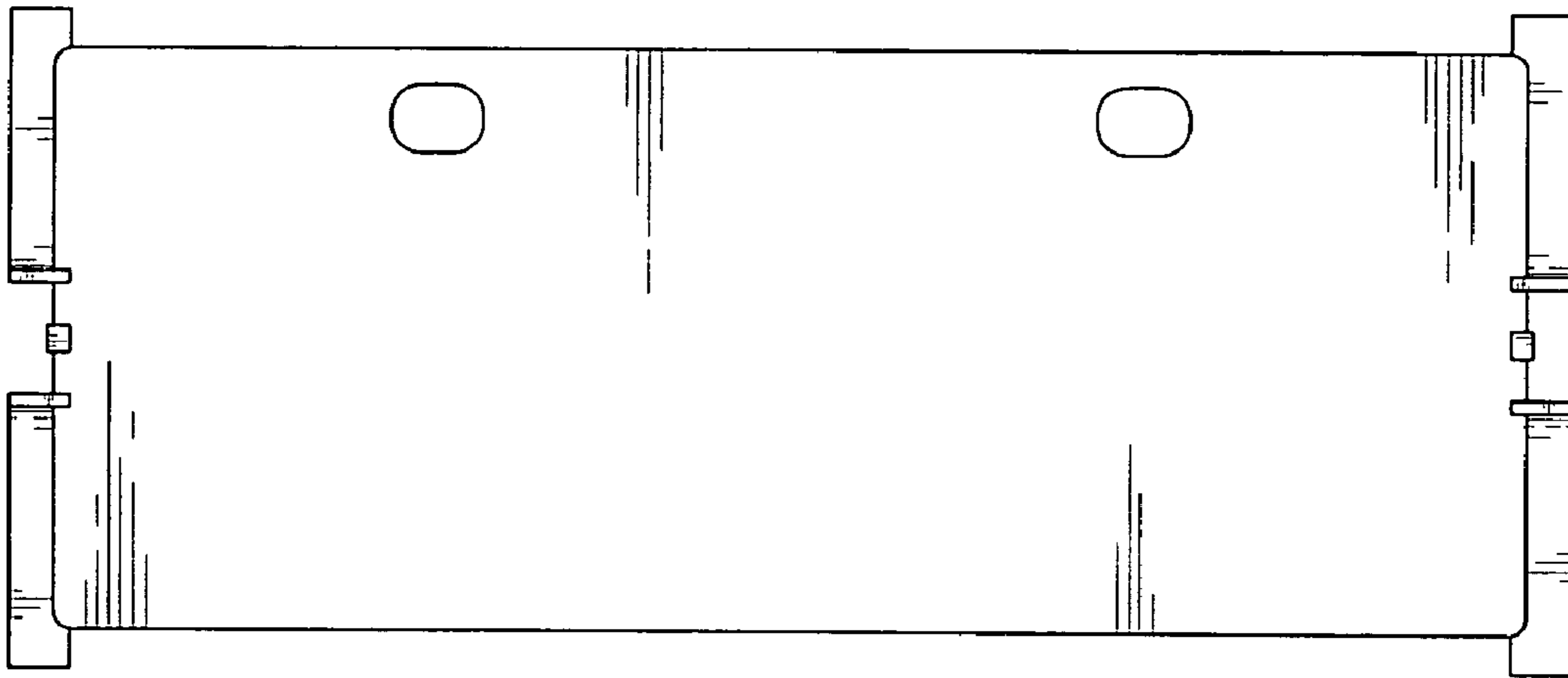
*Fig. 1*



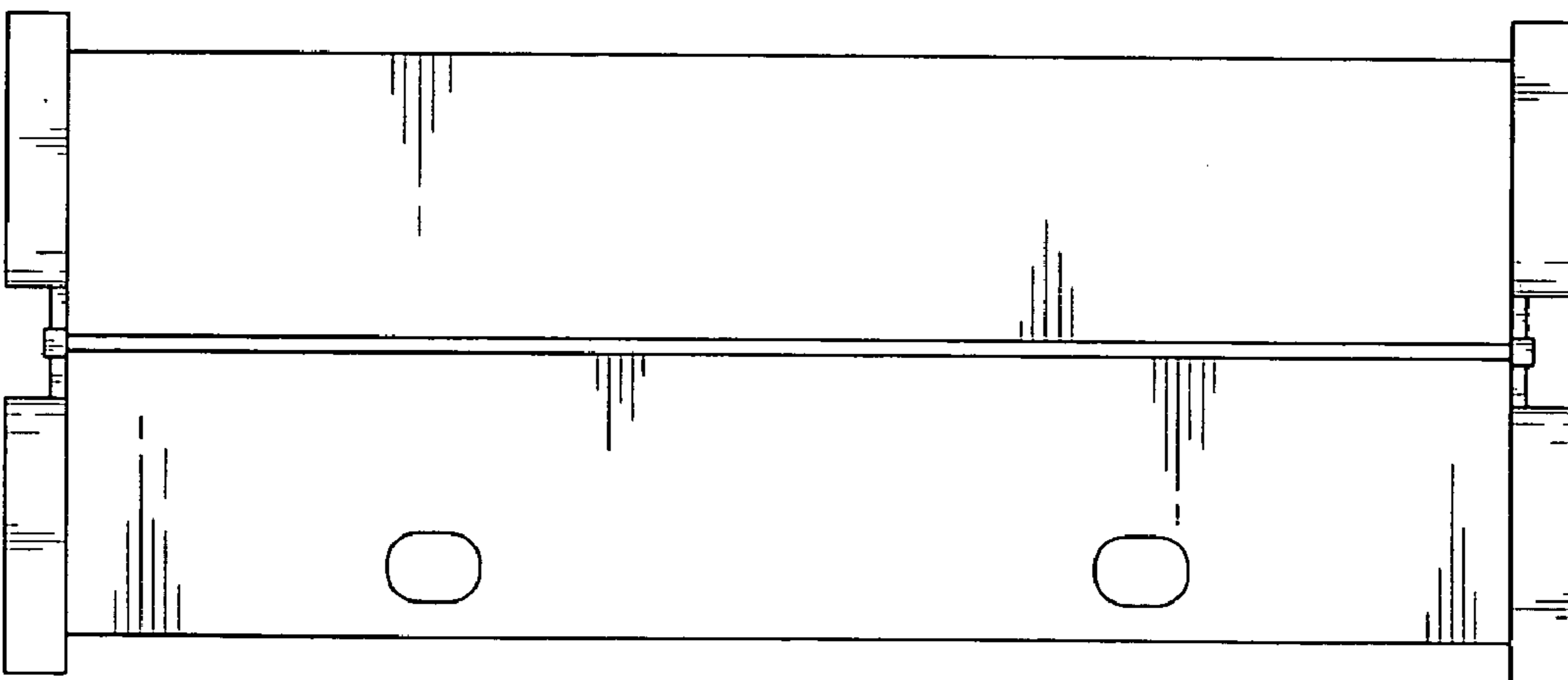
*Fig. 2*



*Fig. 3*



*Fig. 4*



*Fig. 5*