



US00D551465S

(12) **United States Design Patent**
Daniel

(10) **Patent No.:** **US D551,465 S**

(45) **Date of Patent:** **** Sep. 25, 2007**

(54) **UTILITY TABLE**

(76) **Inventor:** **Robert Daniel**, 3884 Fredonia Dr., #D,
Los Angeles, CA (US) 90068

(**) **Term:** **14 Years**

(21) **Appl. No.:** **29/235,595**

(22) **Filed:** **Aug. 2, 2005**

(51) **LOC (8) Cl.** **06-03**

(52) **U.S. Cl.** **D6/422**

(58) **Field of Classification Search** D6/422-428,
D6/480, 484, 485, 487; 312/194-196, 223.1,
312/223.2; 108/50.01, 60

See application file for complete search history.

(56) **References Cited**

U.S. PATENT DOCUMENTS

D329,551 S *	9/1992	Lechman	D6/422
D335,047 S *	4/1993	Lechman et al.	D6/422
D335,782 S *	5/1993	Lechman et al.	D6/422
D372,601 S *	8/1996	Roberts et al.	D6/422
5,651,594 A *	7/1997	Lechman	312/194
D389,664 S *	1/1998	Kotkosky	D6/397
D437,506 S *	2/2001	Lechman	D6/422
D438,401 S *	3/2001	Lechman	D6/423
D440,069 S *	4/2001	Lechman	D6/422
D510,821 S *	10/2005	Madison	D6/425
D529,730 S *	10/2006	McDiarmid	D6/422

* cited by examiner

Primary Examiner—Janice E. Seeger

Assistant Examiner—Zenia I. Bennett

(74) *Attorney, Agent, or Firm*—Kelly, Lowry & Kelley LLP

(57) **CLAIM**

The ornamental design for a utility table, as shown and described.

DESCRIPTION

FIG. 1 a front perspective view of a utility table embodying my new design;

FIG. 2 is a perspective view similar to FIG. 1 illustrating a middle shelf in an alternative position;

FIG. 3 is a rear side perspective view of the utility table of FIG. 1;

FIG. 4 is a rear side perspective view of the utility table shown in FIG. 2;

FIG. 5 is a front elevational view thereof;

FIG. 6 is a rear elevational view thereof;

FIG. 7 is a left side elevational view thereof;

FIG. 8 is a right side elevational view thereof;

FIG. 9 is a top plan thereof;

FIG. 10 is a bottom plan thereof in the configuration of FIG. 1;

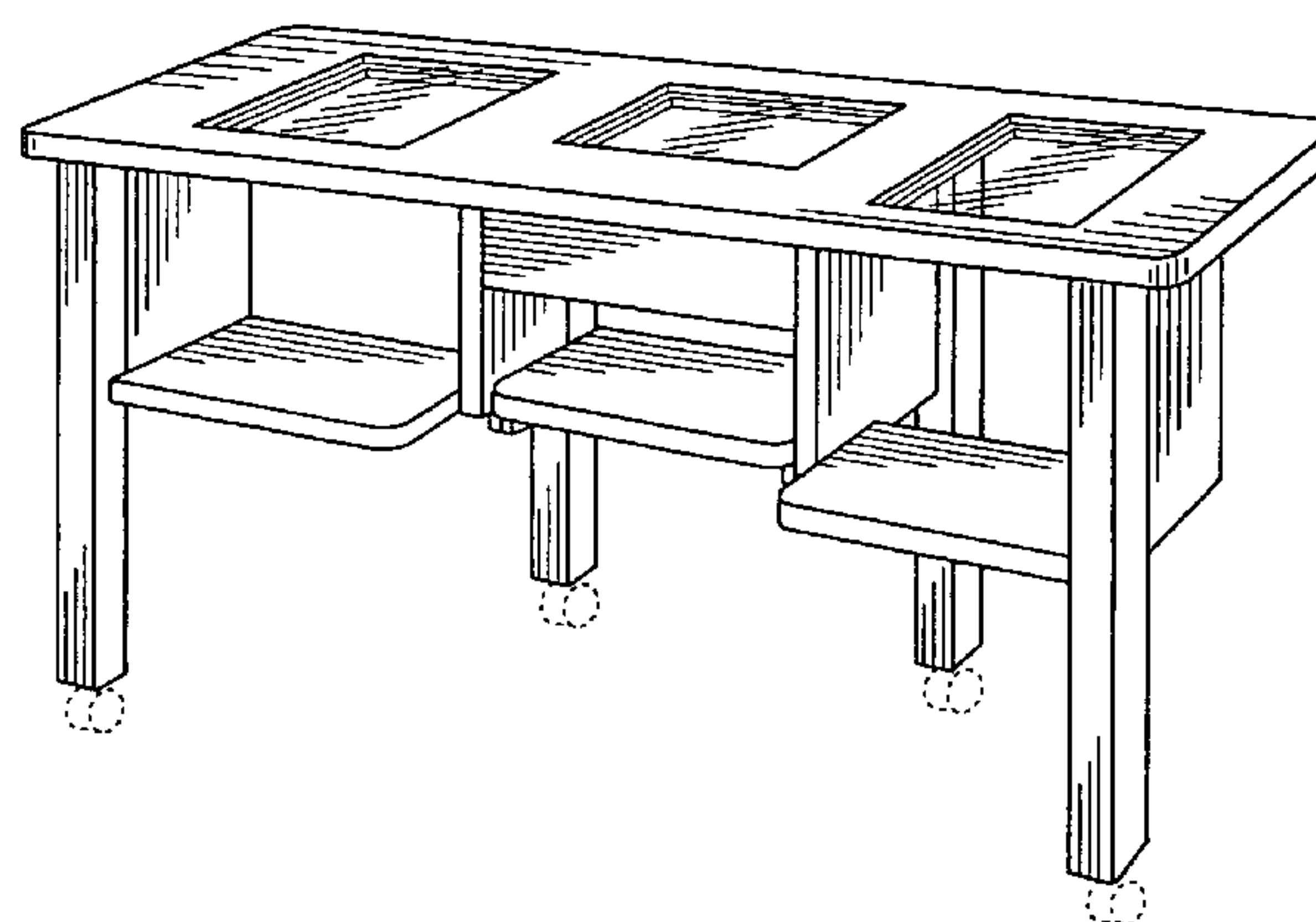
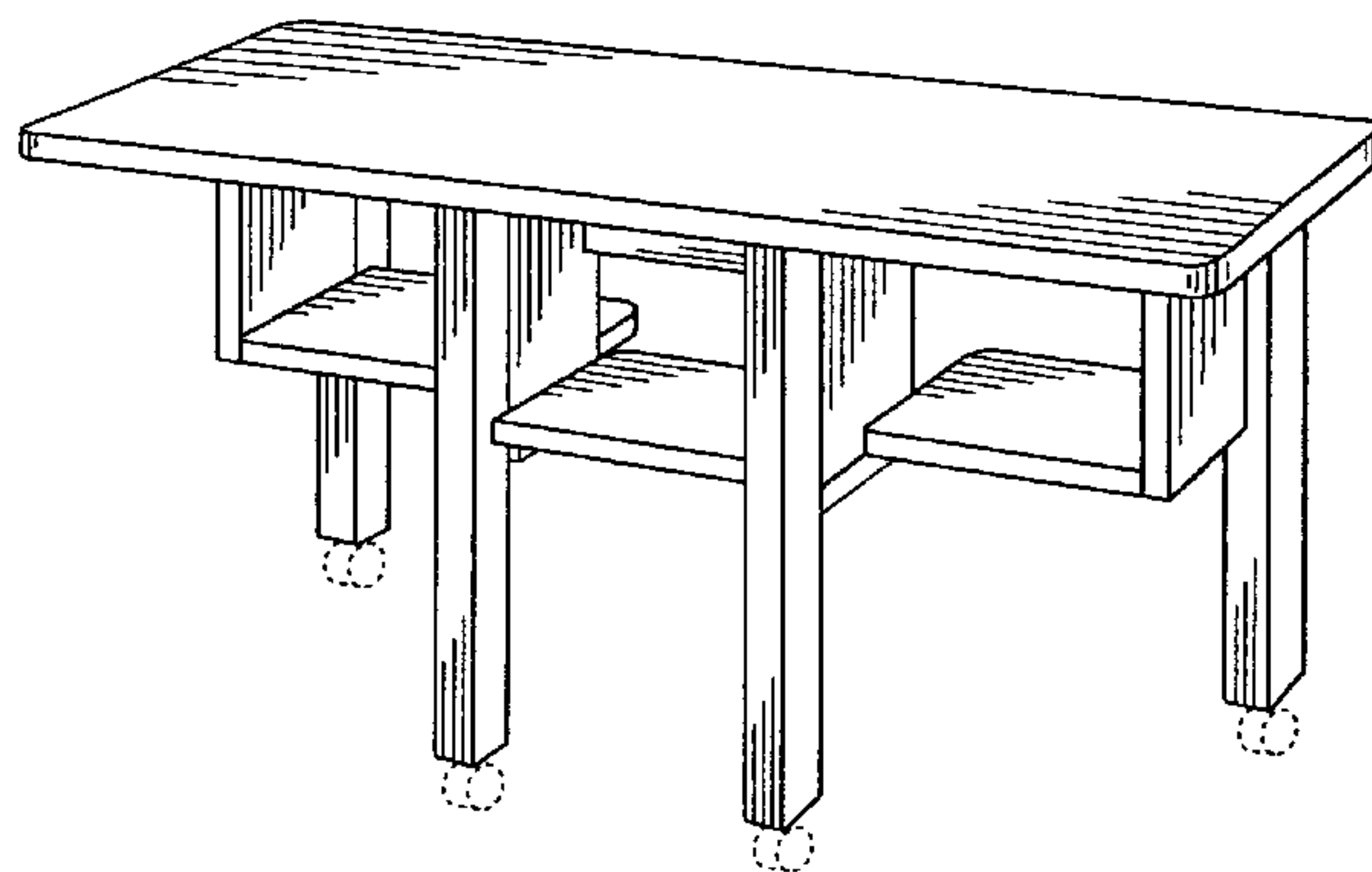
FIG. 11 is another bottom plan thereof in the configuration of FIG. 2;

FIG. 12 is a top plan view of an alternative embodiment thereof; and,

FIG. 13 is a perspective view similar to FIG. 3, illustrating the utility table with the alternative top shown in FIG. 12.

The broken lines in the drawing are for illustrative purposes only and form no part of the claimed design.

1 Claim, 5 Drawing Sheets



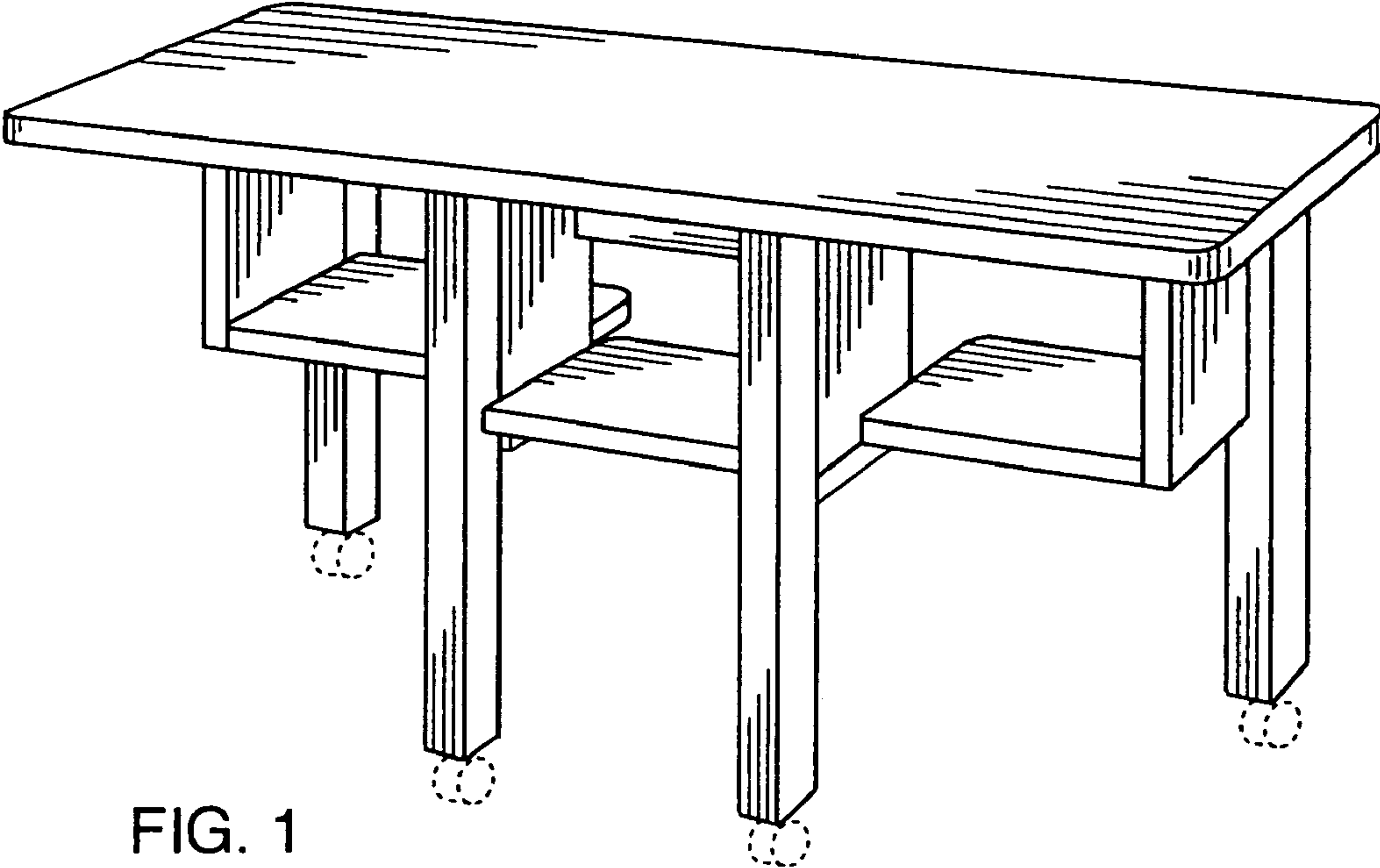


FIG. 1

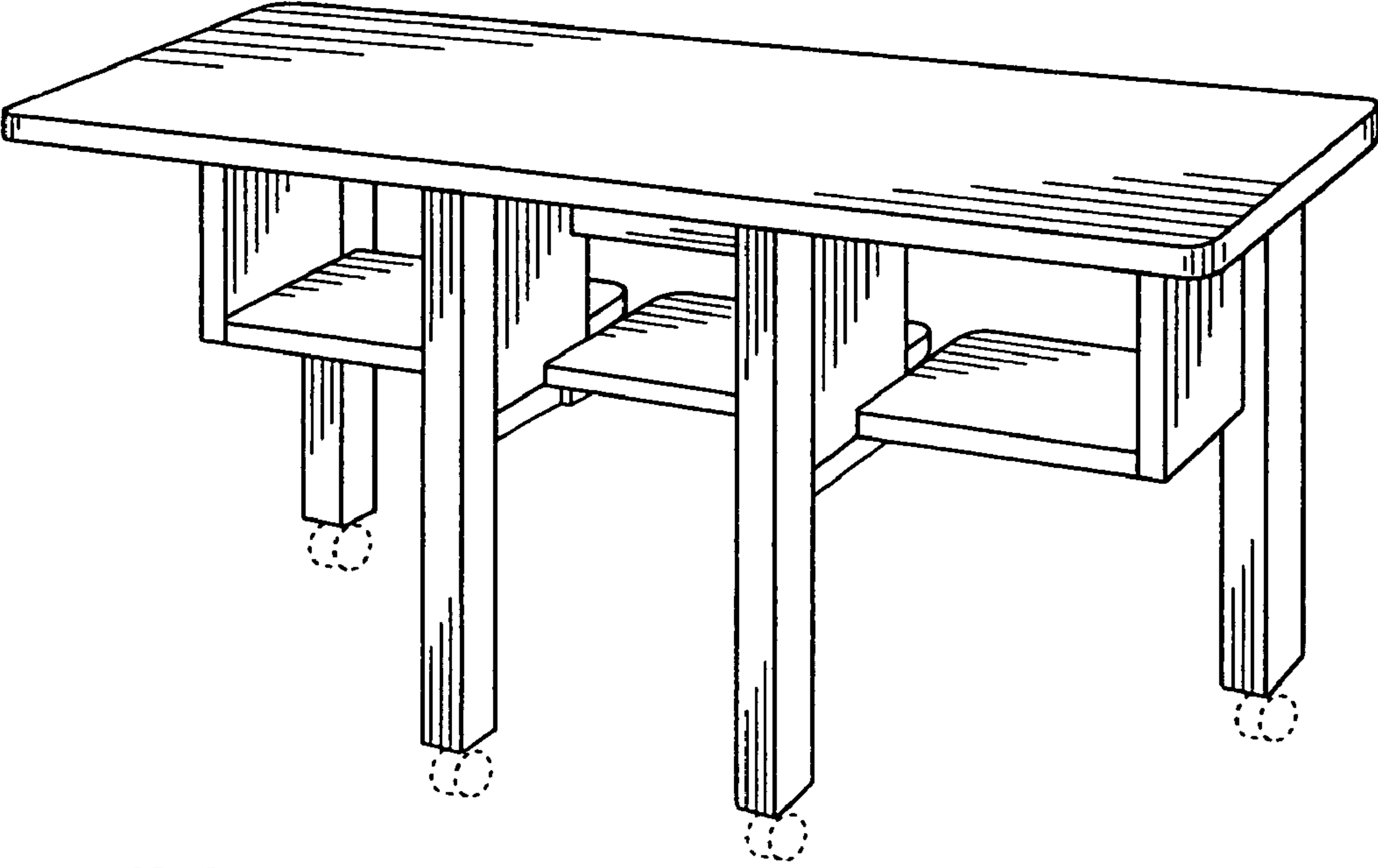


FIG. 2

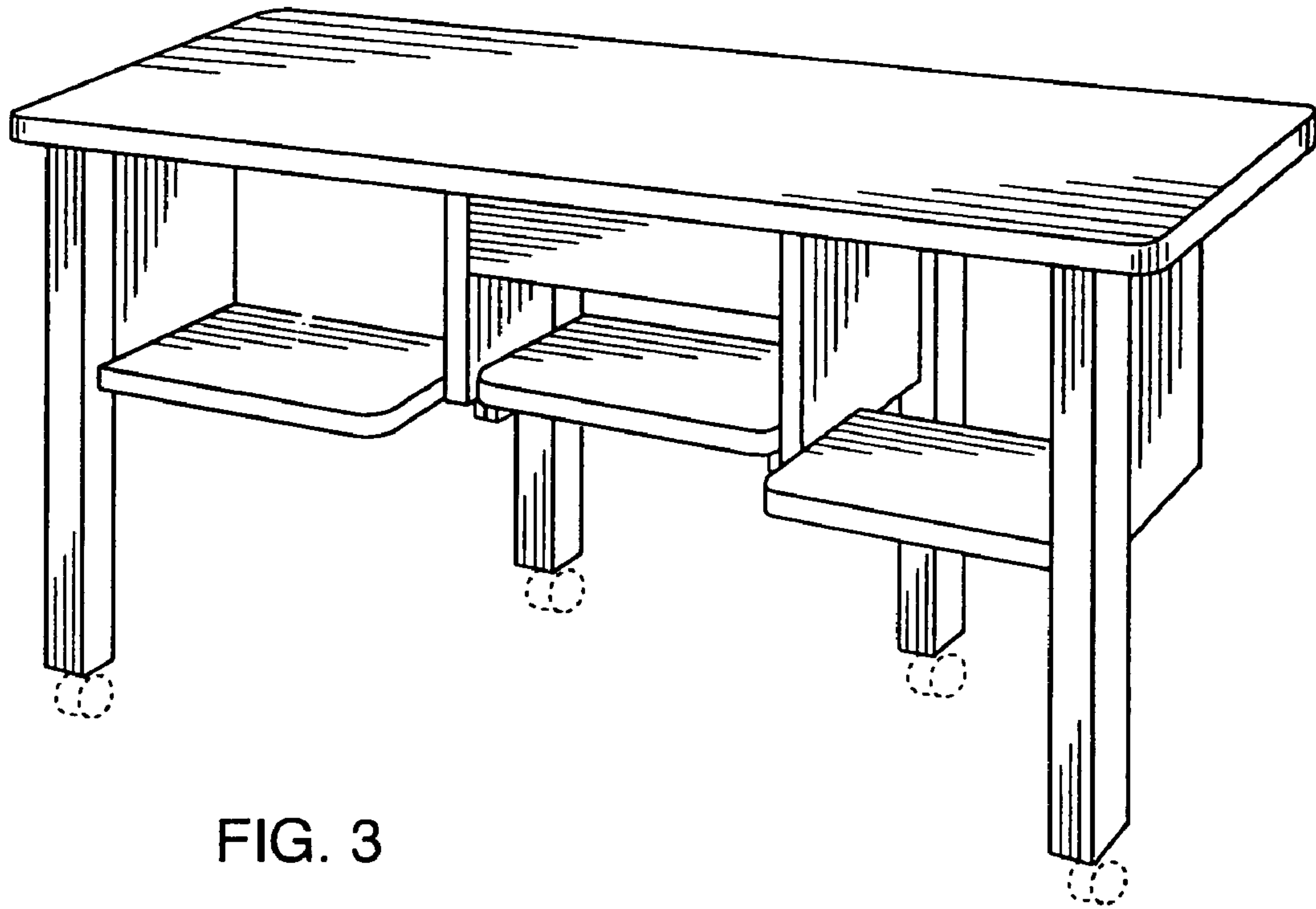


FIG. 3

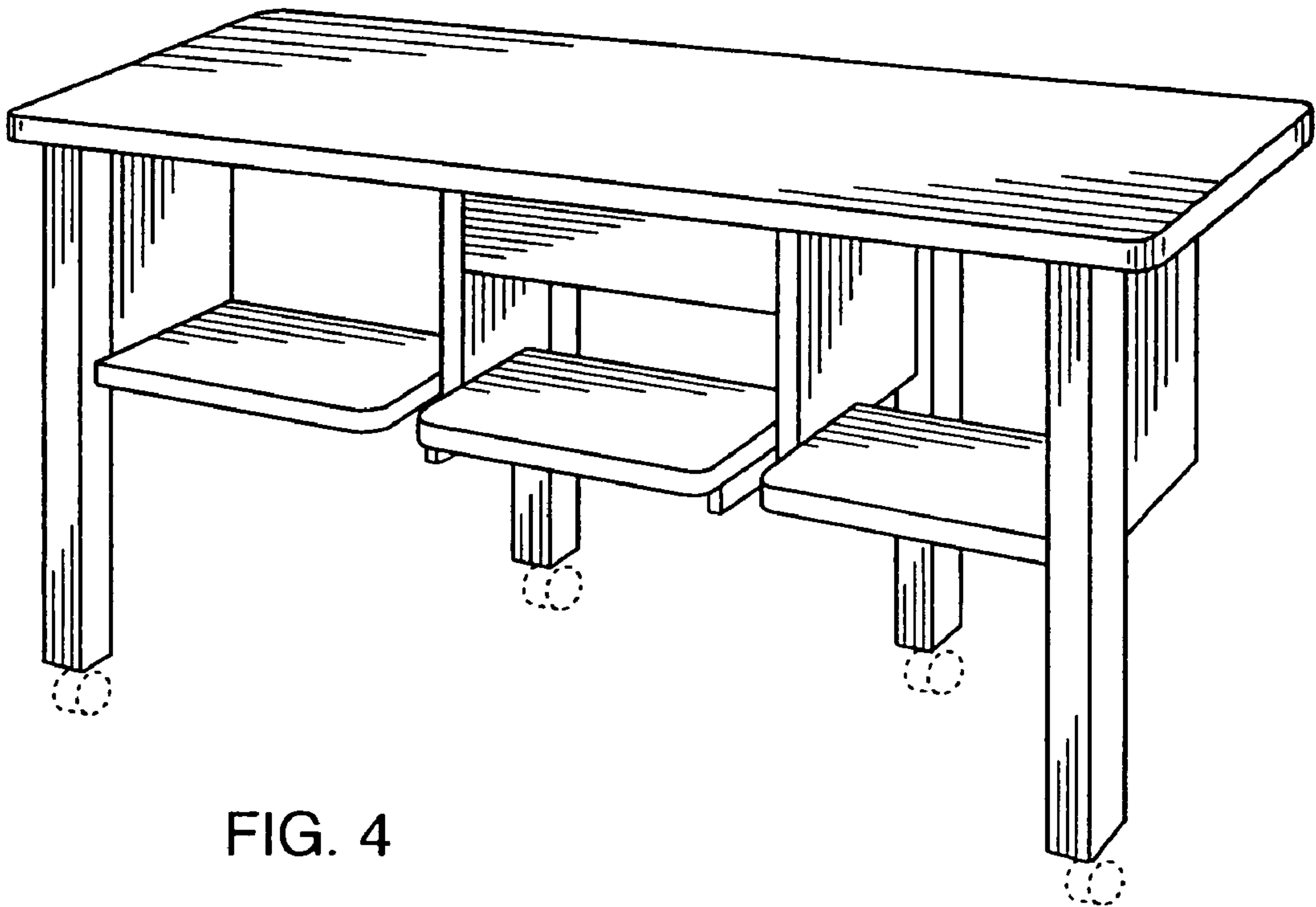


FIG. 4

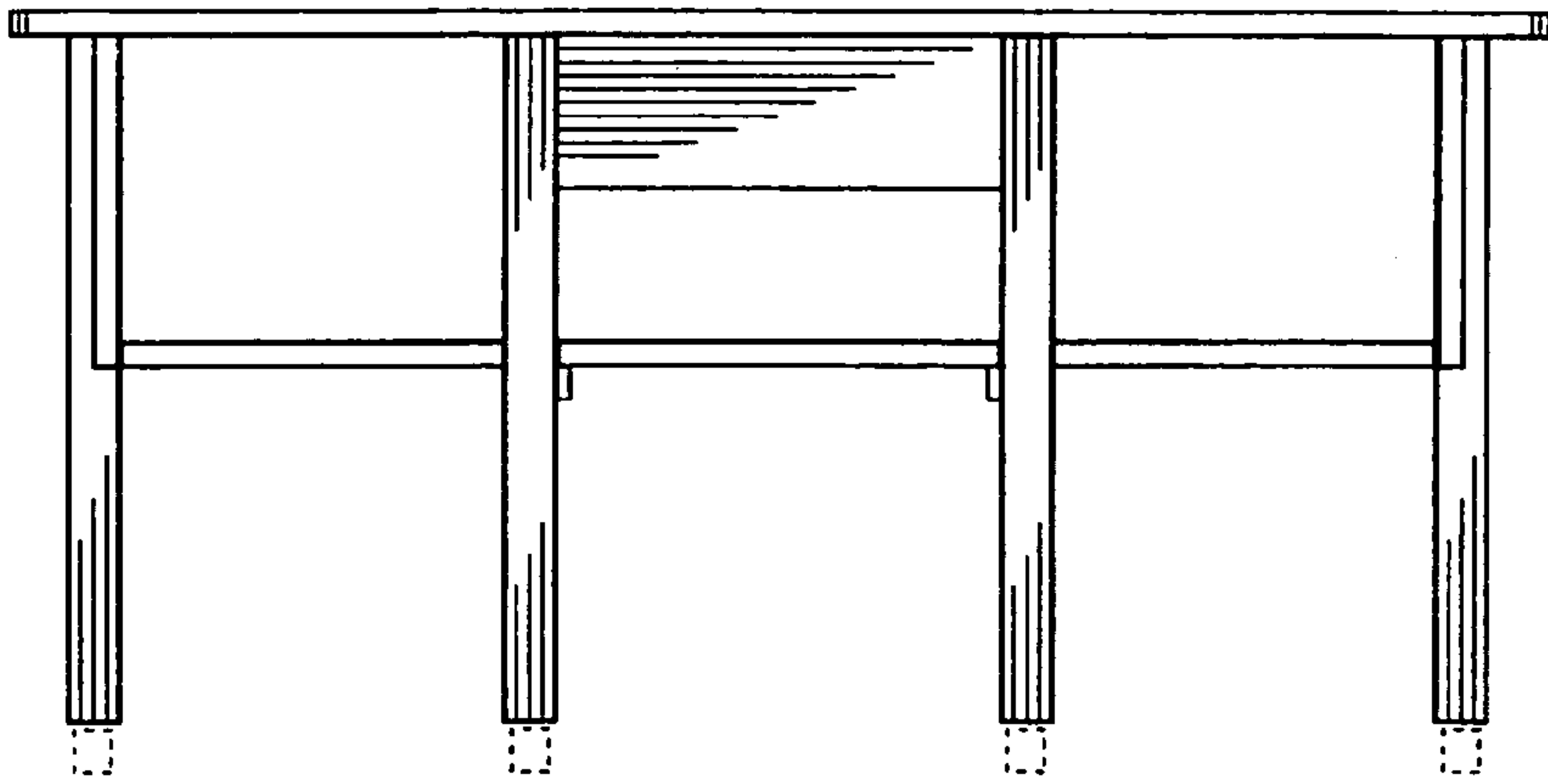


FIG. 5

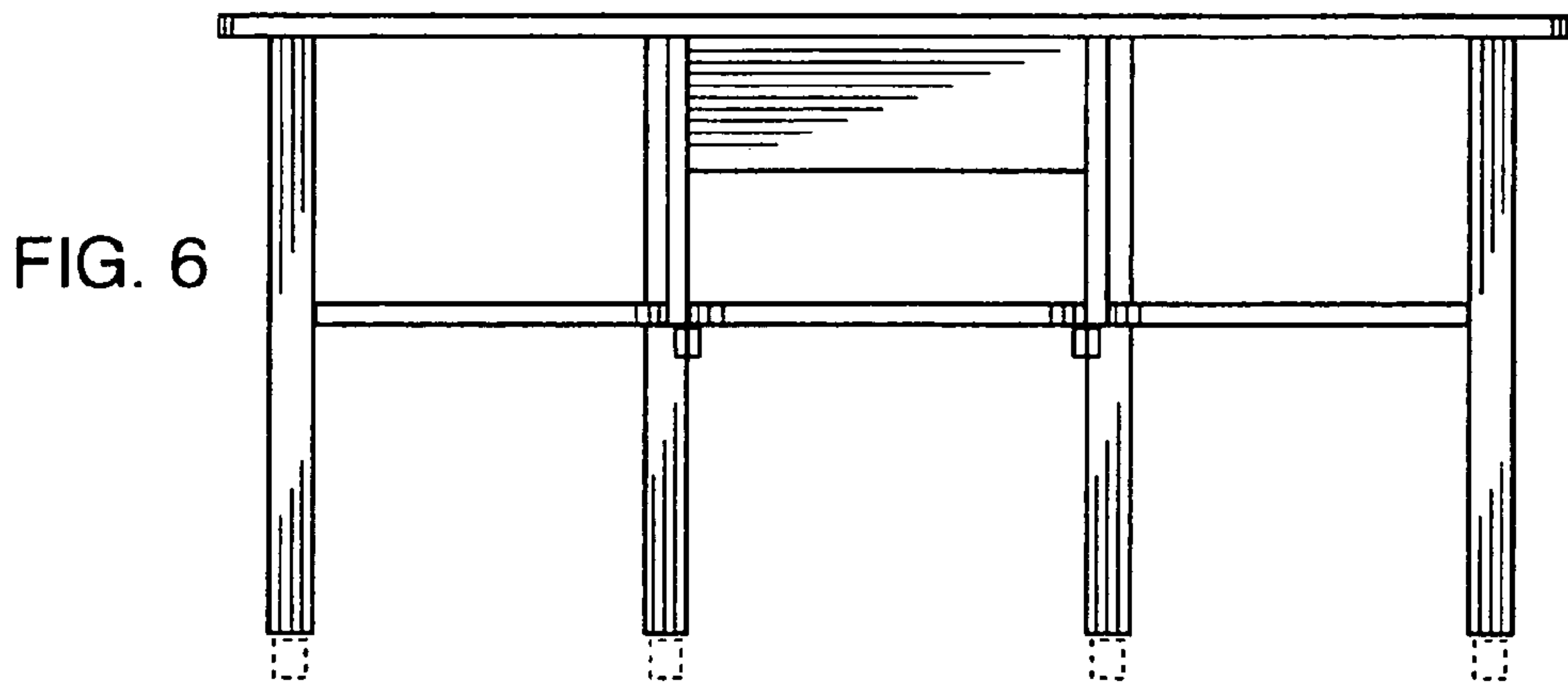


FIG. 6

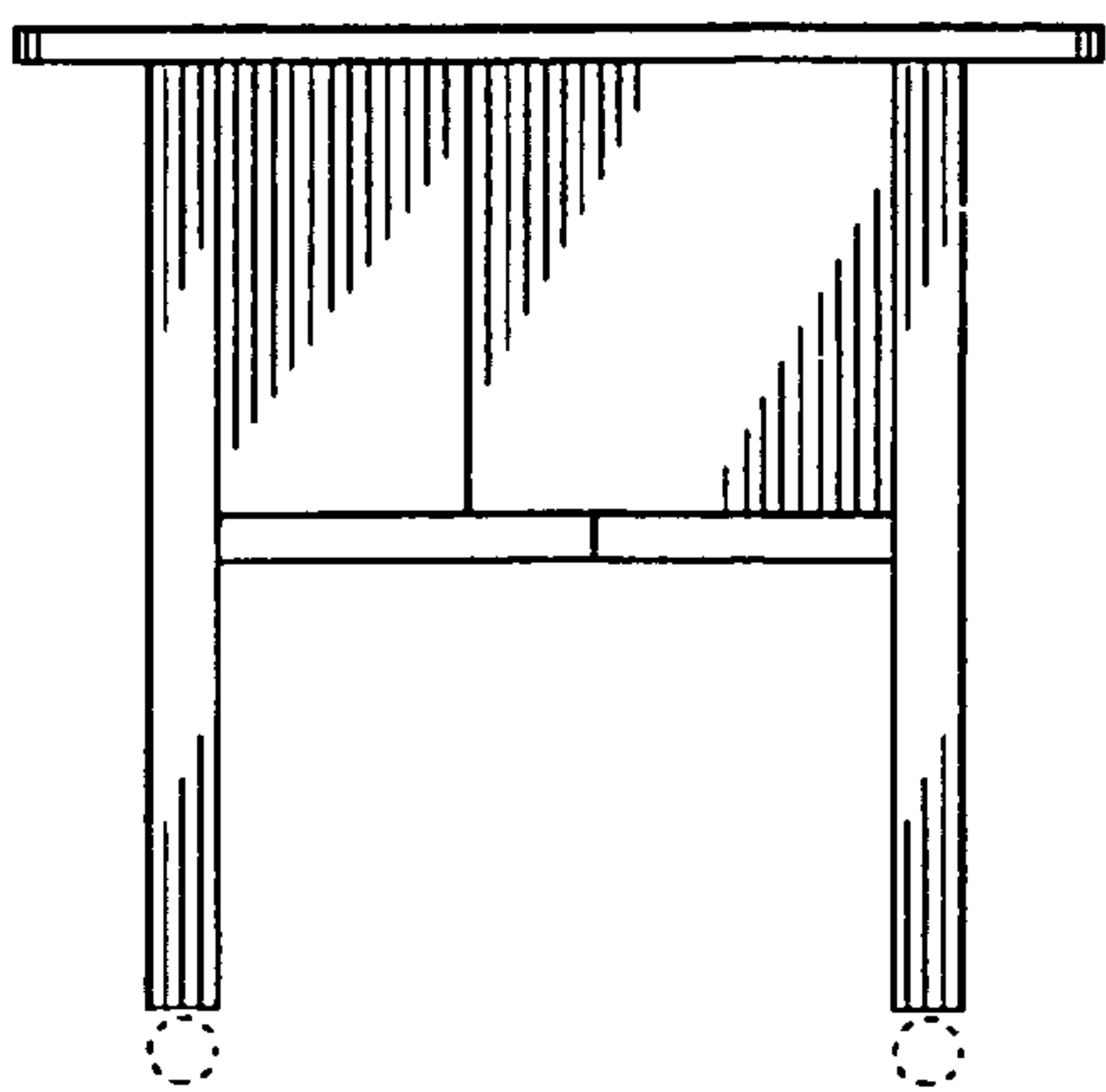


FIG. 7

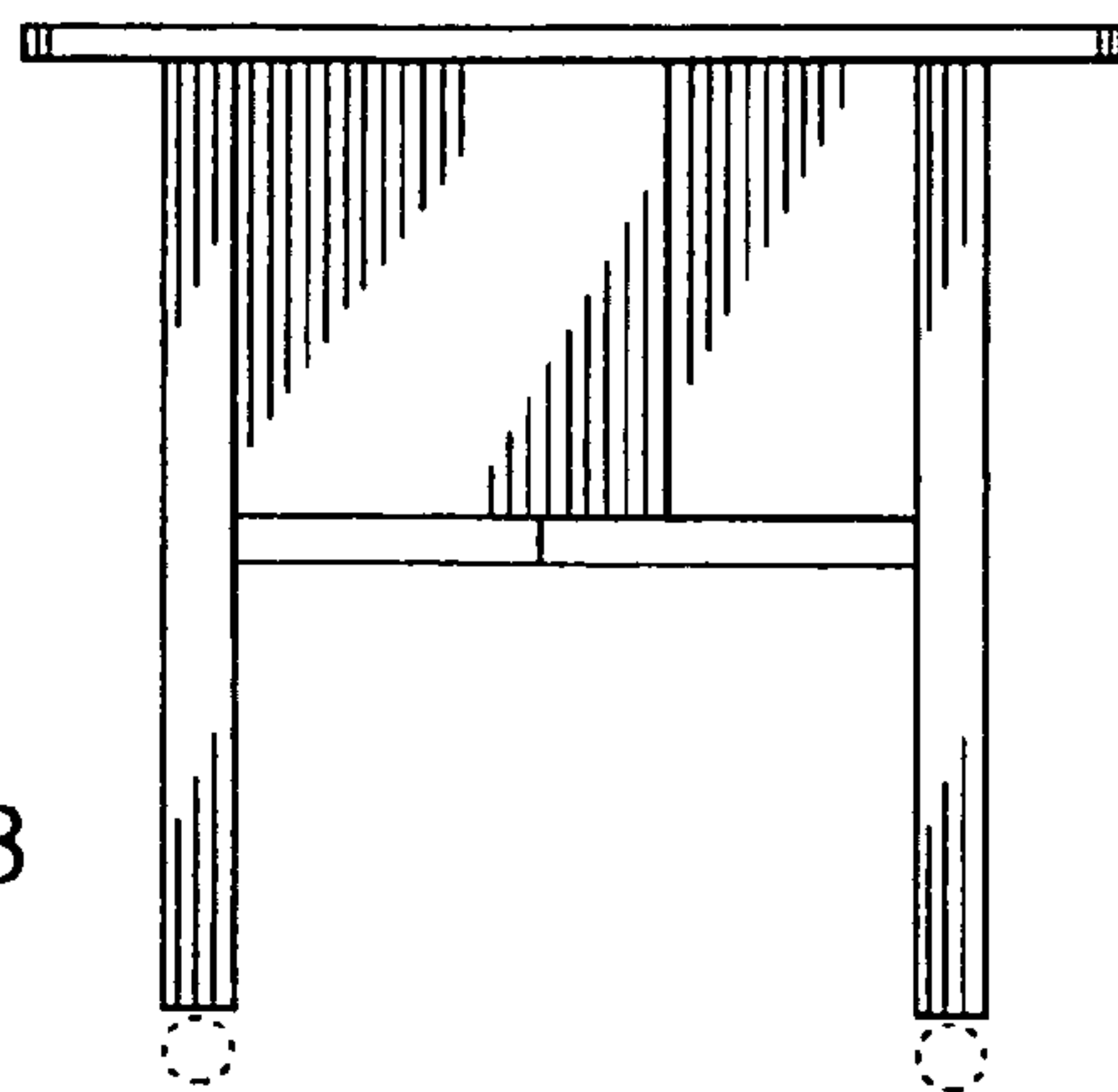


FIG. 8

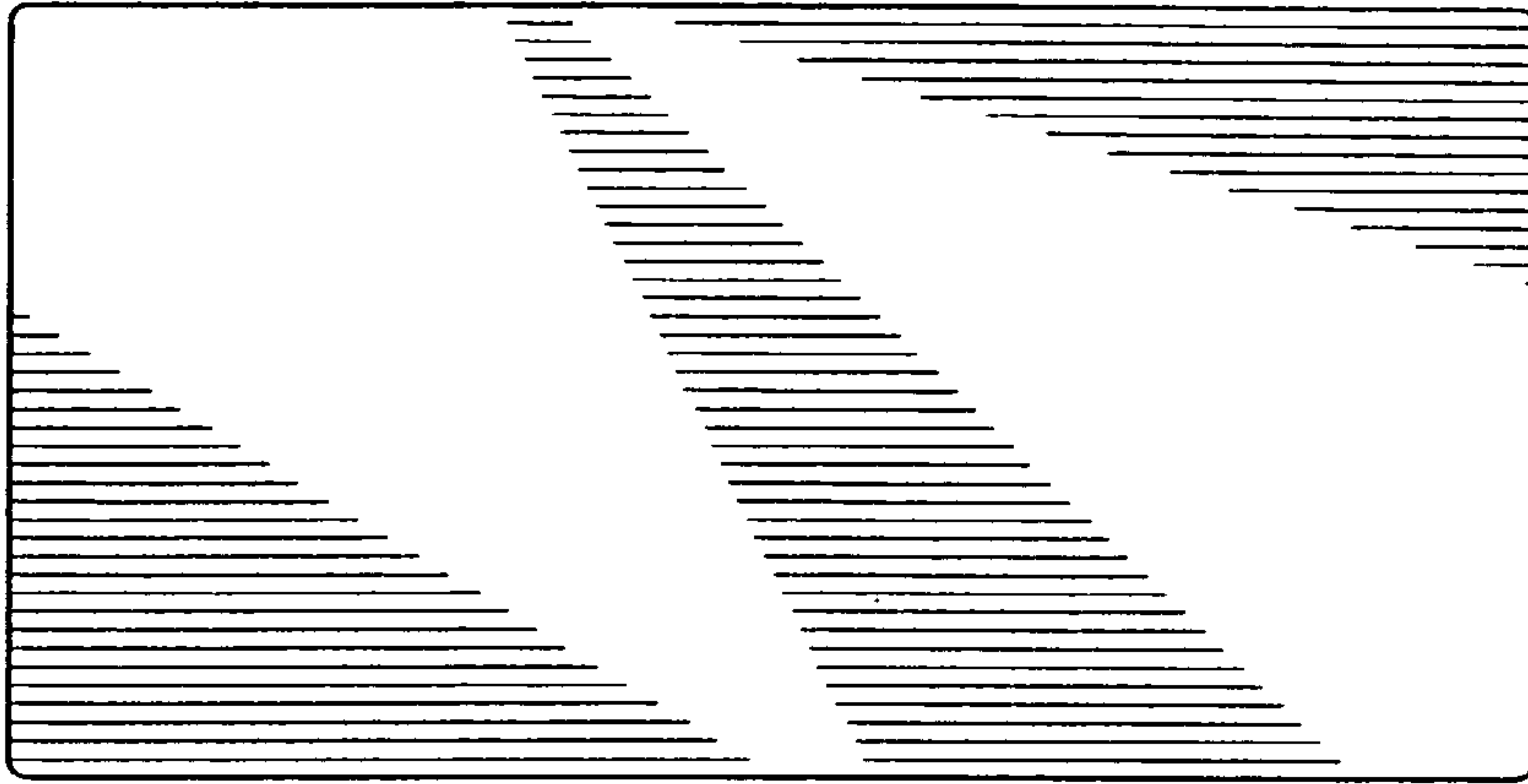


FIG. 9

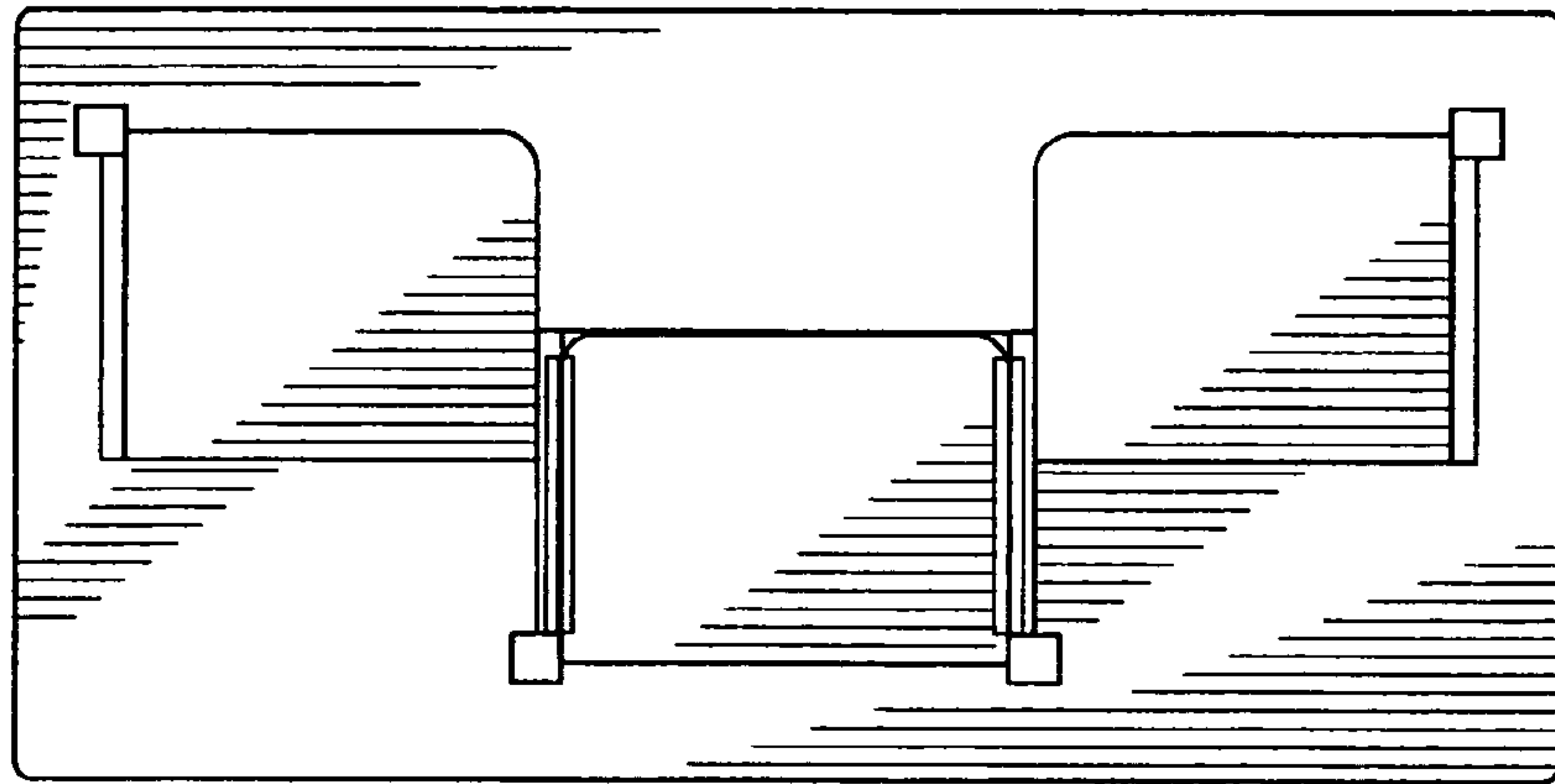


FIG. 10

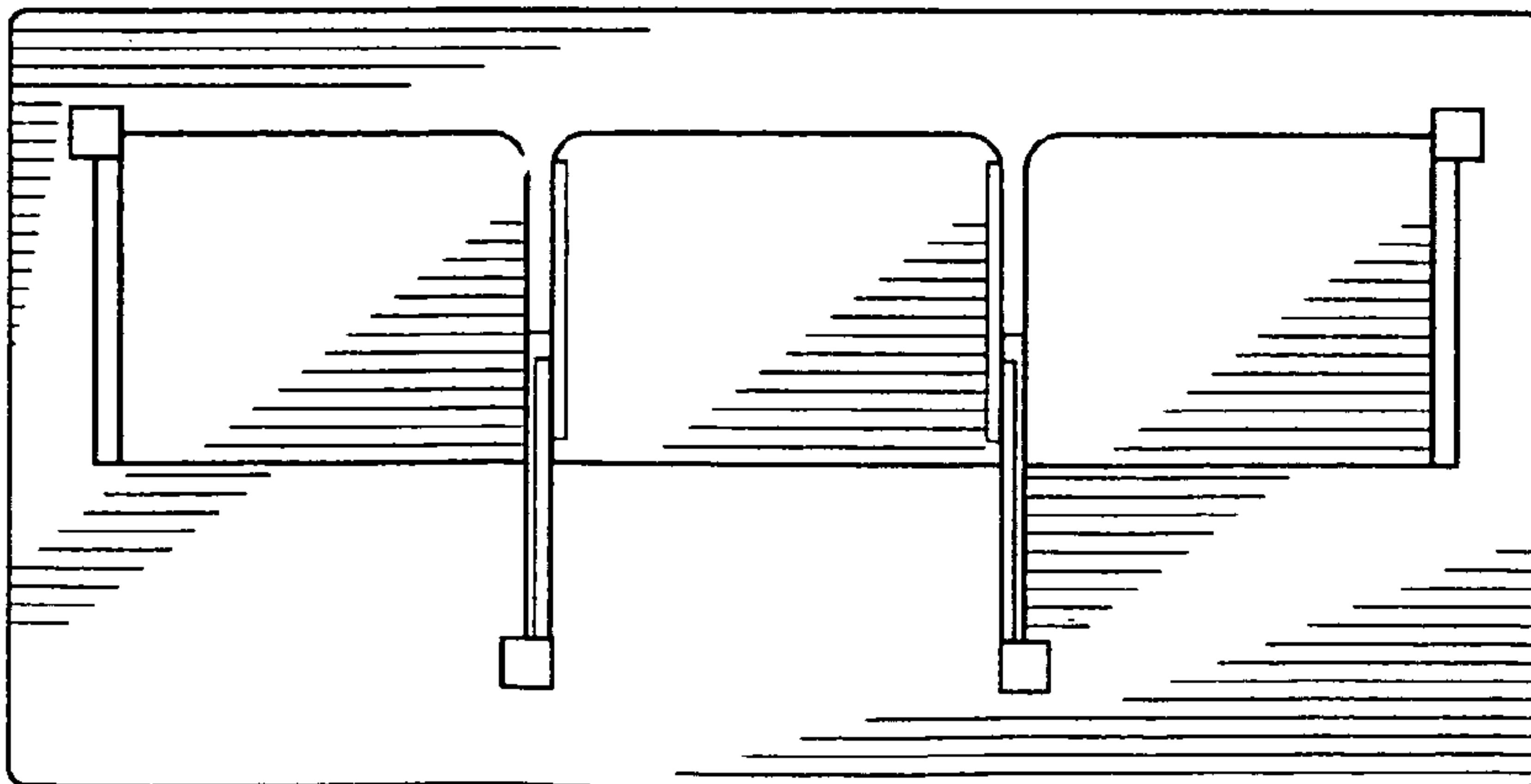


FIG. 11

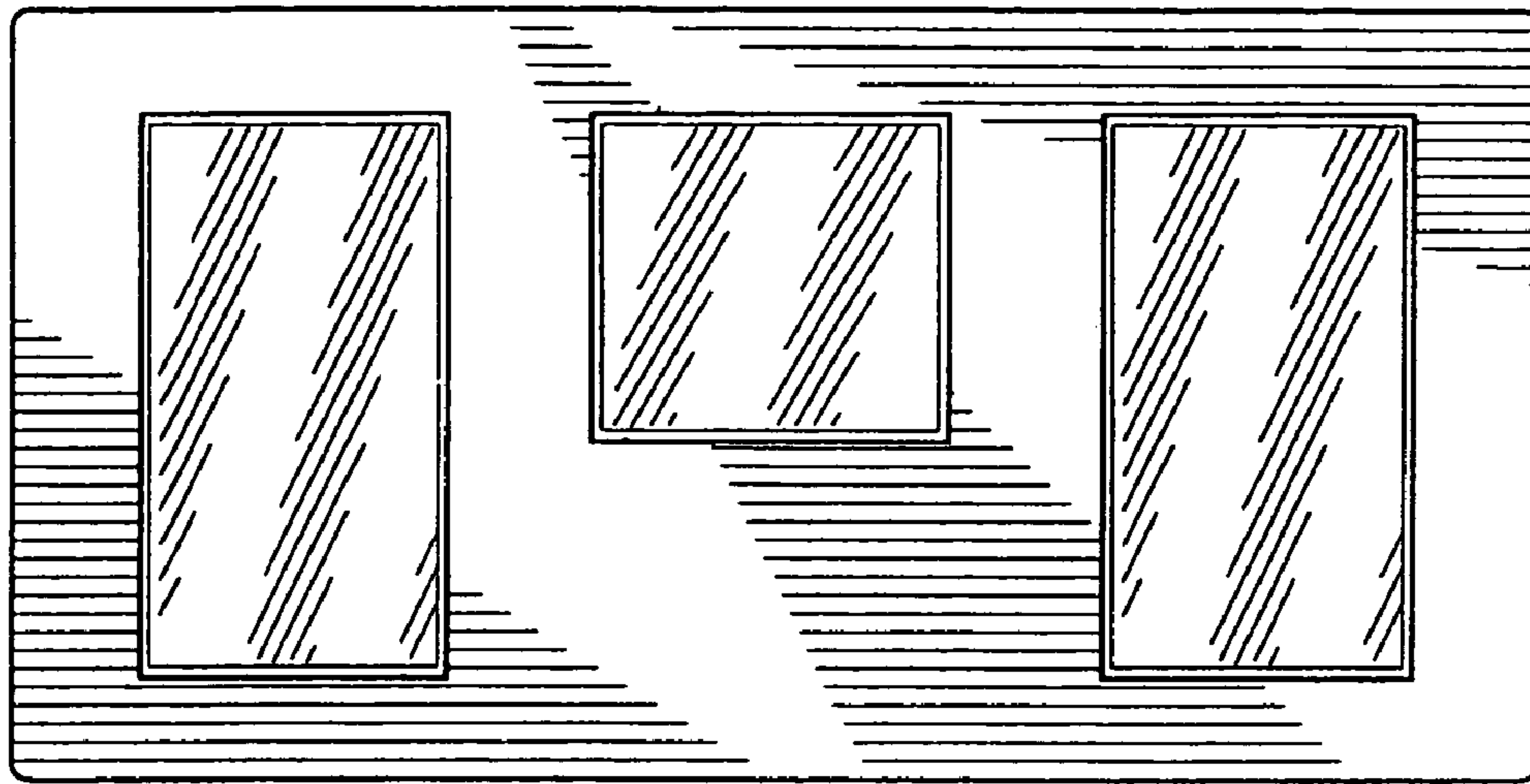


FIG. 12

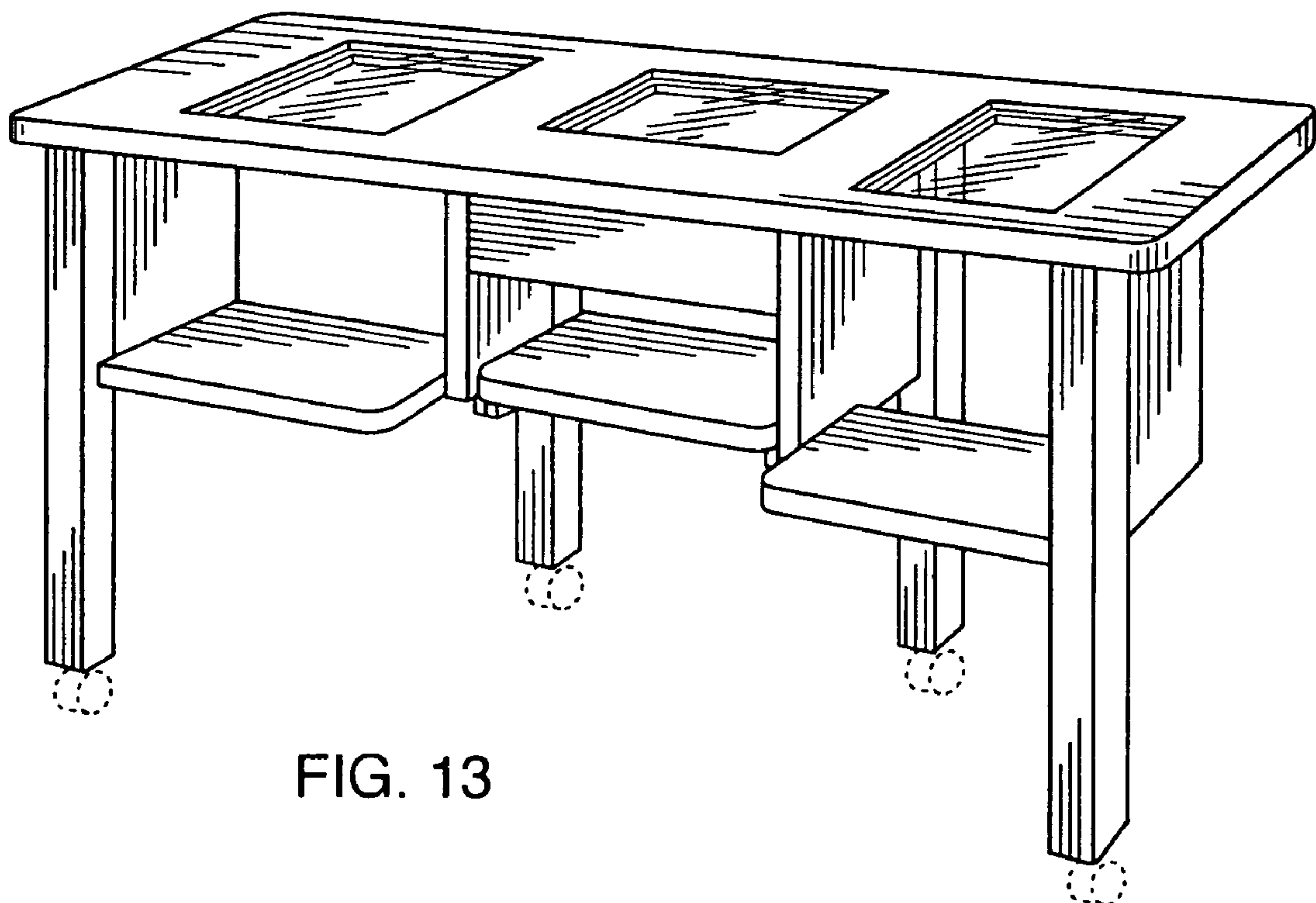


FIG. 13