



US00D551464S

(12) **United States Design Patent**  
**Natuzzi**

(10) **Patent No.:** **US D551,464 S**

(45) **Date of Patent:** **\*\* Sep. 25, 2007**

(54) **SOFA**  
(75) **Inventor:** **Pasquale Natuzzi**, Santeramo in Colle  
Bari (IT)  
(73) **Assignee:** **Natuzzi S.p.A.**, Bari (IT)

D462,845 S \* 9/2002 Canto Garcia ..... D6/335  
D501,095 S \* 1/2005 Zydko Hoyas et al. .... D6/335  
D506,079 S \* 6/2005 Ricci ..... D6/334  
D526,807 S \* 8/2006 Natuzzi ..... D6/381  
D527,539 S \* 9/2006 Natuzzi ..... D6/381  
D531,424 S \* 11/2006 Kusachi ..... D6/367

(\*\*) **Term:** **14 Years**

\* cited by examiner

(21) **Appl. No.:** **29/258,992**

*Primary Examiner*—Sandra Snapp  
(74) *Attorney, Agent, or Firm*—Egbert Law Offices

(22) **Filed:** **May 2, 2006**

(57) **CLAIM**

(51) **LOC (8) Cl.** ..... **06-01**  
(52) **U.S. Cl.** ..... **D6/381**  
(58) **Field of Classification Search** ..... D6/334–336,  
D6/361, 371, 381, 500–502, 492; 297/445.1,  
297/446.1, 232, 248; 5/12.1  
See application file for complete search history.

I claim the ornamental design for a sofa, as shown and described.

**DESCRIPTION**

(56) **References Cited**

FIG. 1 is a front elevation view of the sofa showing my design.

**U.S. PATENT DOCUMENTS**

FIG. 2 is top plan view thereof;

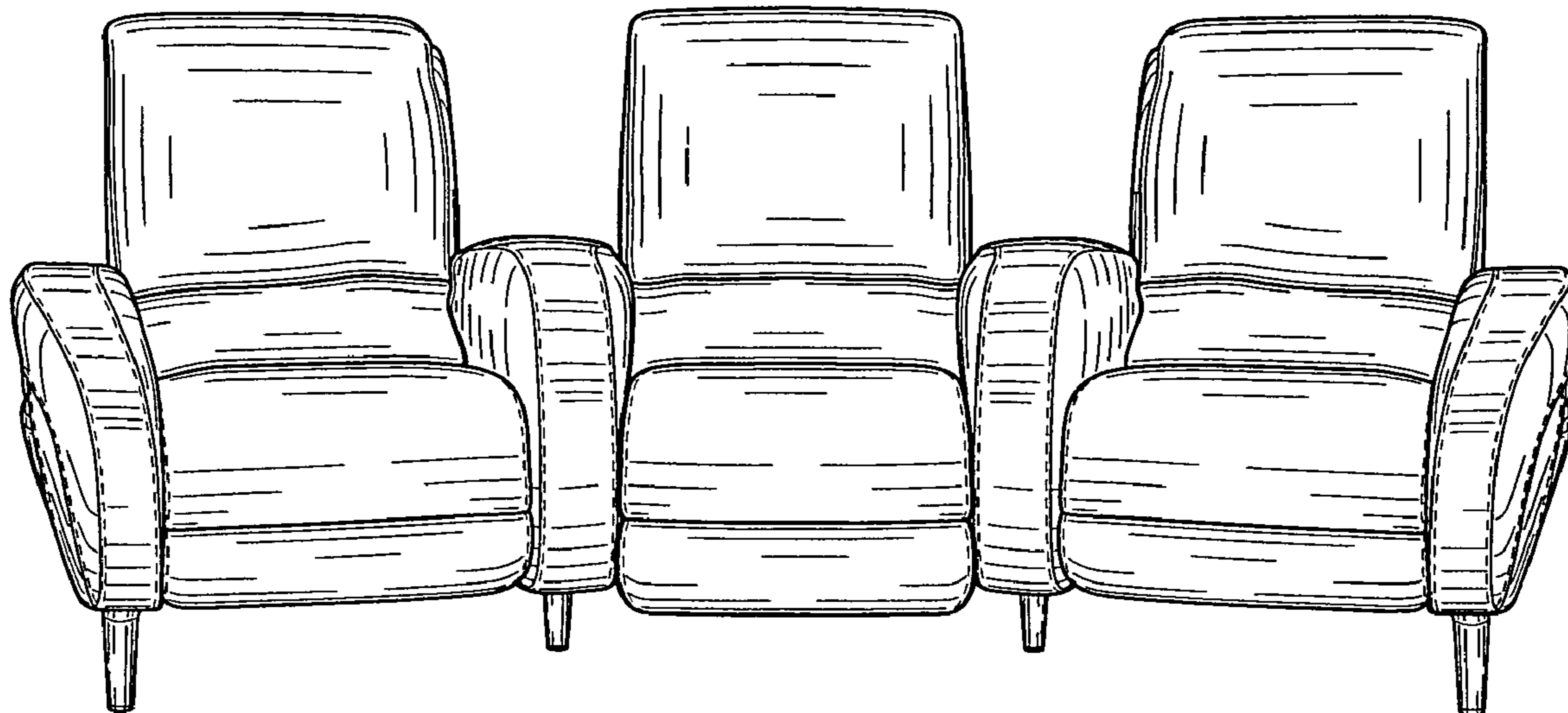
5,106,153 A \* 4/1992 Durling ..... 297/232  
D368,377 S \* 4/1996 Laslo ..... D6/334  
D373,911 S \* 9/1996 Paus ..... D6/381  
D442,375 S \* 5/2001 Stammberger ..... D6/335  
D447,350 S \* 9/2001 Carlson ..... D6/336  
D447,639 S \* 9/2001 Carlson ..... D6/336  
D448,580 S \* 10/2001 Carlson ..... D6/336

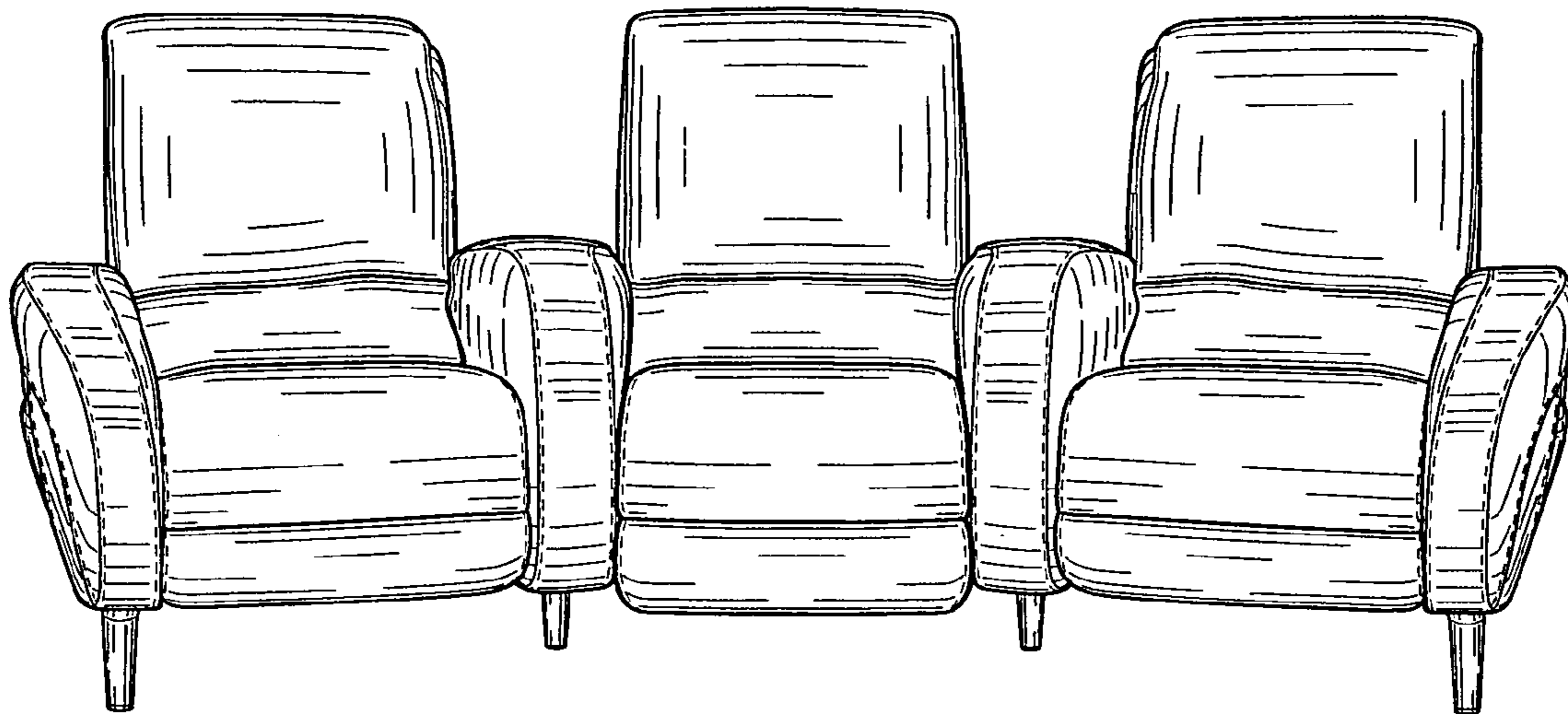
FIG. 3 is a back perspective view thereof; and,

FIG. 4 is a side view thereof, an opposite side view being a mirror image thereof.

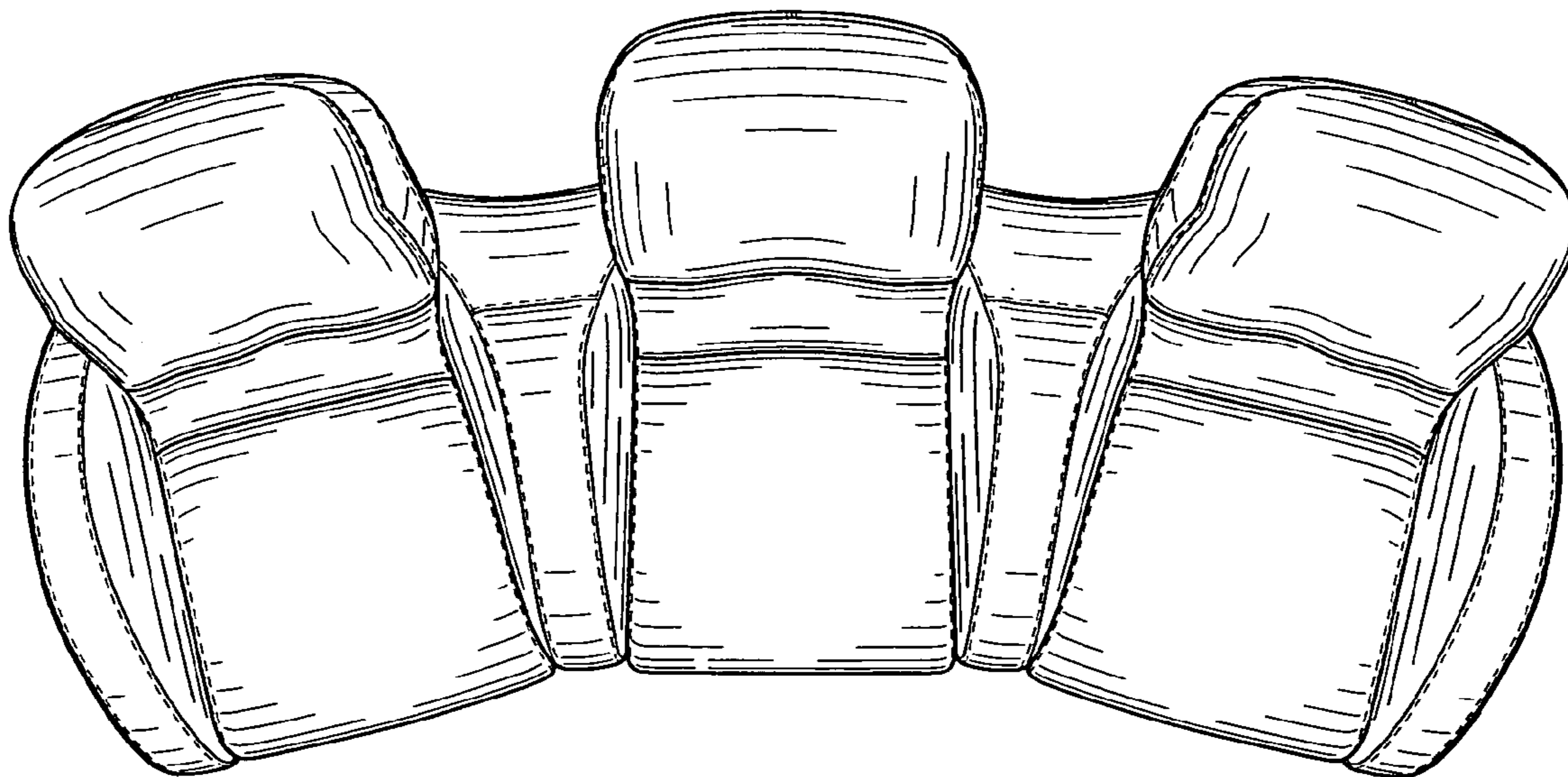
The broken lines shown on the sofa are understood to represent stitching.

**1 Claim, 2 Drawing Sheets**

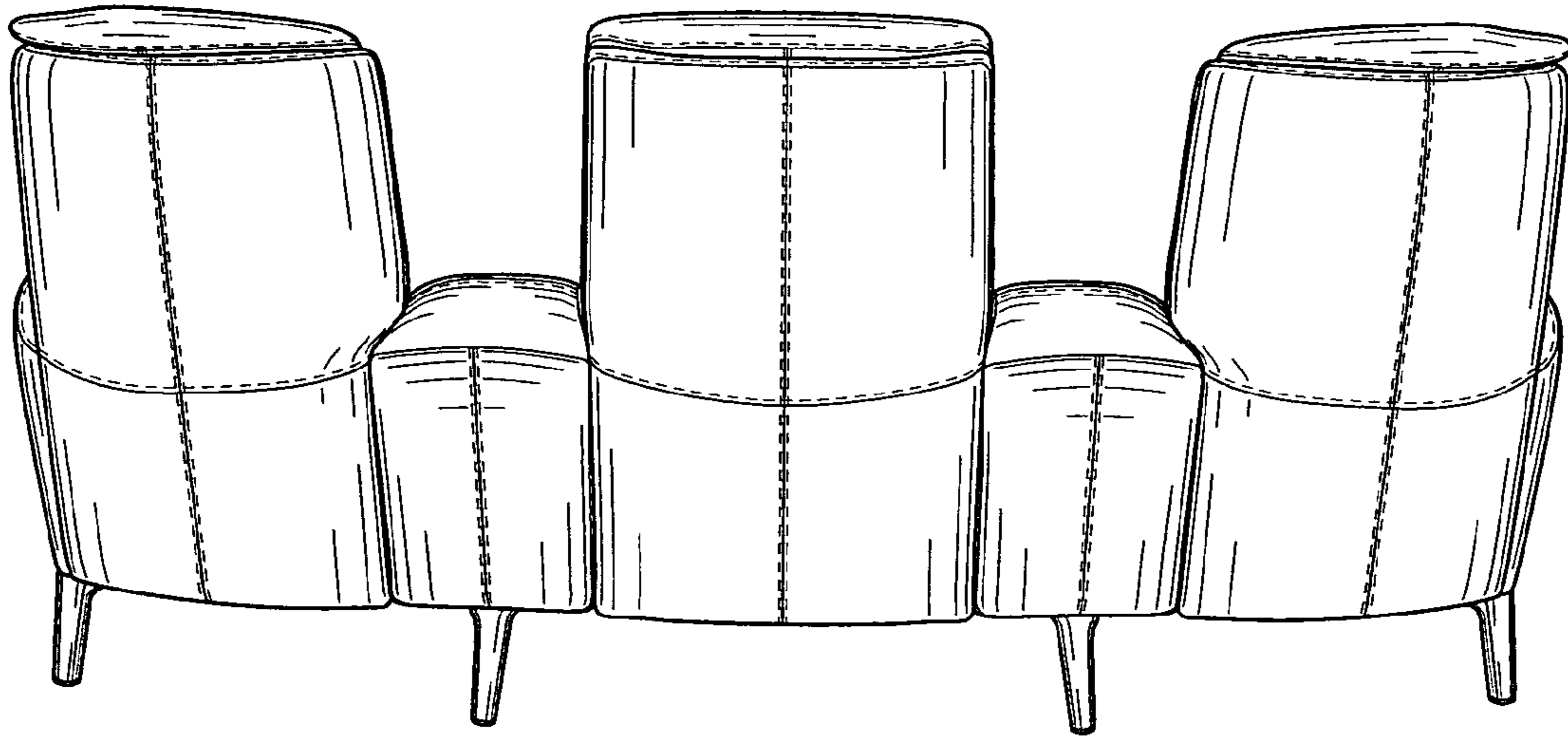




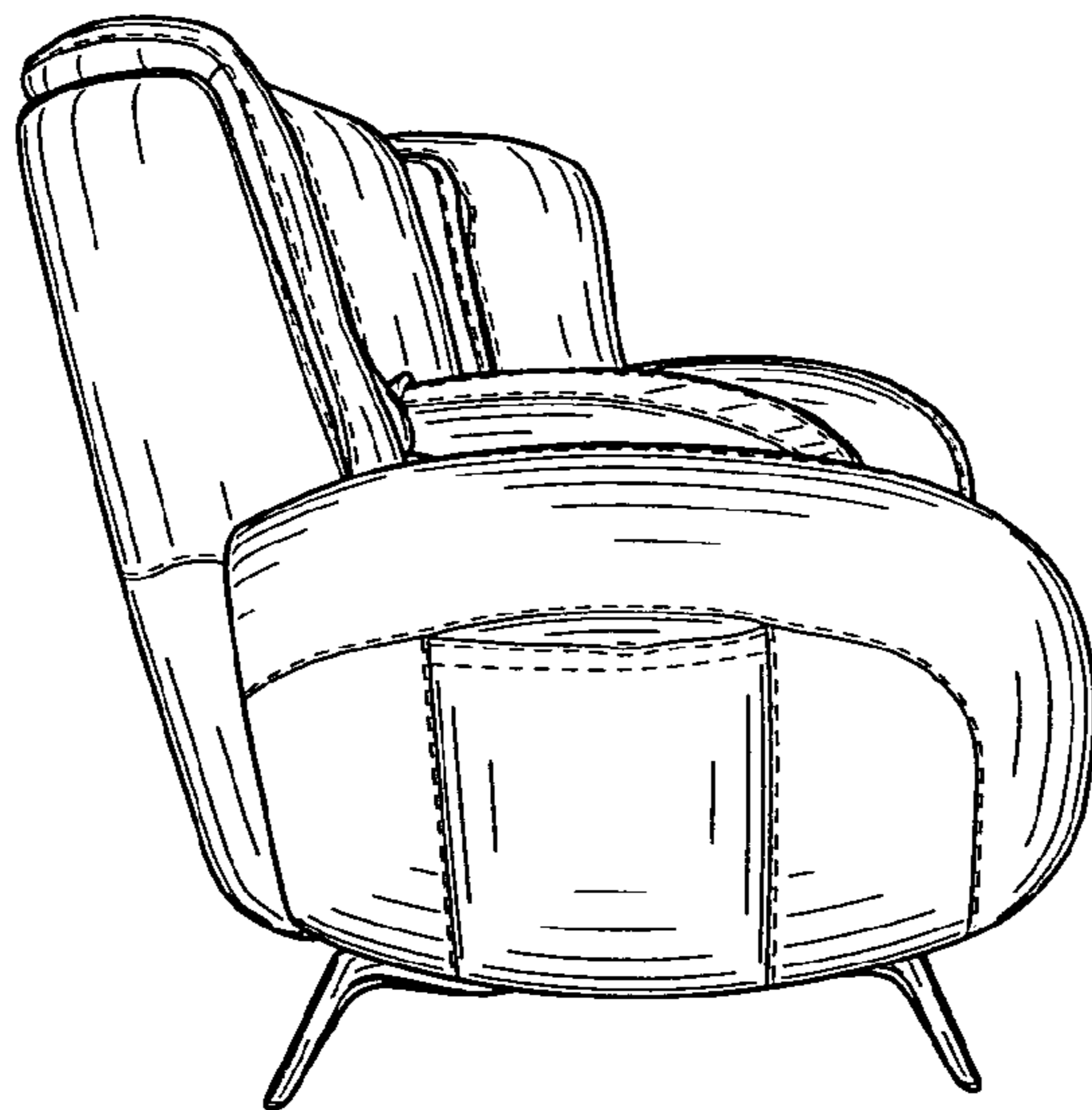
*FIG. 1*



*FIG. 2*



*FIG. 3*



*FIG. 4*