



US00D551446S

(12) **United States Design Patent**
Elnekaveh

(10) **Patent No.:** **US D551,446 S**

(45) **Date of Patent:** **** Sep. 25, 2007**

(54) **MONEY CLIP WALLET**

(74) *Attorney, Agent, or Firm*—Polly L. Oliver

(76) **Inventor:** **Alexander Elnekaveh**, 12621 Encinitas Ave., Sylmar, CA (US) 91342

(57) **CLAIM**

The ornamental design for a money clip wallet, as shown and described.

(**) **Term:** **14 Years**

(21) **Appl. No.:** **29/267,914**

(22) **Filed:** **Oct. 25, 2006**

DESCRIPTION

(51) **LOC (8) Cl.** **03-01**

FIG. 1 is a front perspective view of a money clip wallet showing my new design;

(52) **U.S. Cl.** **D3/249**

FIG. 2 is a front perspective view in the open position thereof;

(58) **Field of Classification Search** D3/233,
D3/247, 248, 249, 250, 251, 252, 303; 150/131,
150/132, 137, 138, 139, 140, 141, 143, 145,
150/147, 148, 149

FIG. 3 is a front elevational view in the closed position thereof;

See application file for complete search history.

FIG. 4 is a rear elevational view thereof;

(56) **References Cited**

U.S. PATENT DOCUMENTS

1,035,946	A	8/1912	Lardwell	
2,575,030	A	11/1951	Smallman	
2,655,705	A *	10/1953	Hatfield	150/137
2,719,557	A	10/1955	Bell	
D426,703	S	6/2000	Kojoori	
D433,565	S *	11/2000	Kojoori	D3/249
D433,804	S	11/2000	Kojoori	
D434,899	S	12/2000	Kojoori	
D435,340	S *	12/2000	Kojoori	D3/250
D436,252	S *	1/2001	Gribovsky	D3/249
D436,724	S *	1/2001	Kojoori	D3/249
D527,899	S *	9/2006	Morehead	D3/247
2004/0216825	A1	11/2004	Radochonski	

FIG. 5 is a top plan view thereof;

FIG. 6 is bottom plan view thereof;

FIG. 7 is a left side elevational view thereof;

FIG. 8 is a right side elevational view thereof;

FIG. 9 is a front elevational view in the open position thereof;

FIG. 10 is a rear elevational view thereof;

FIG. 11 is a top plan view thereof;

FIG. 12 is a bottom plan view thereof;

FIG. 13 is a right side elevational view thereof; and,

FIG. 14 is a left side elevational view thereof.

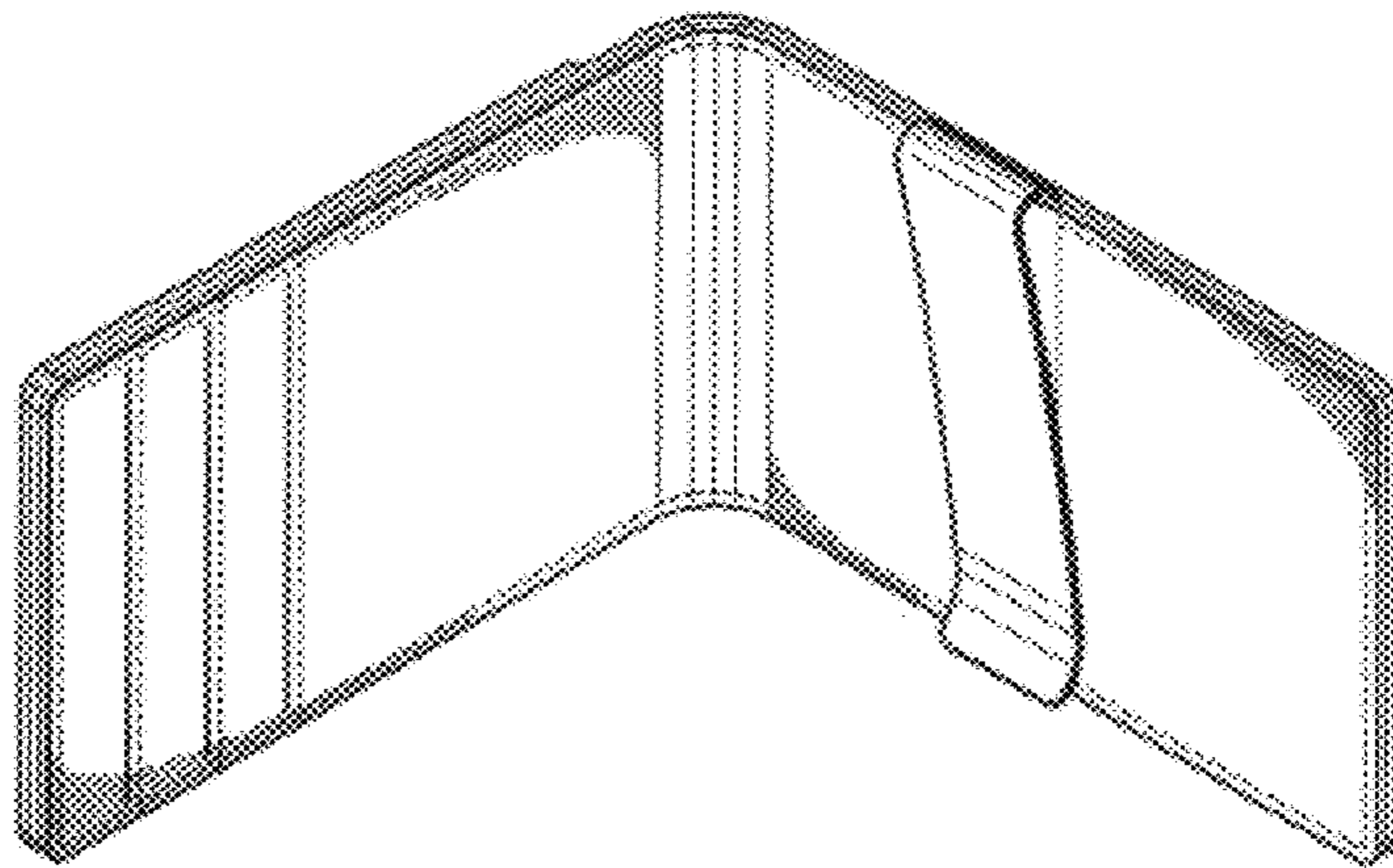
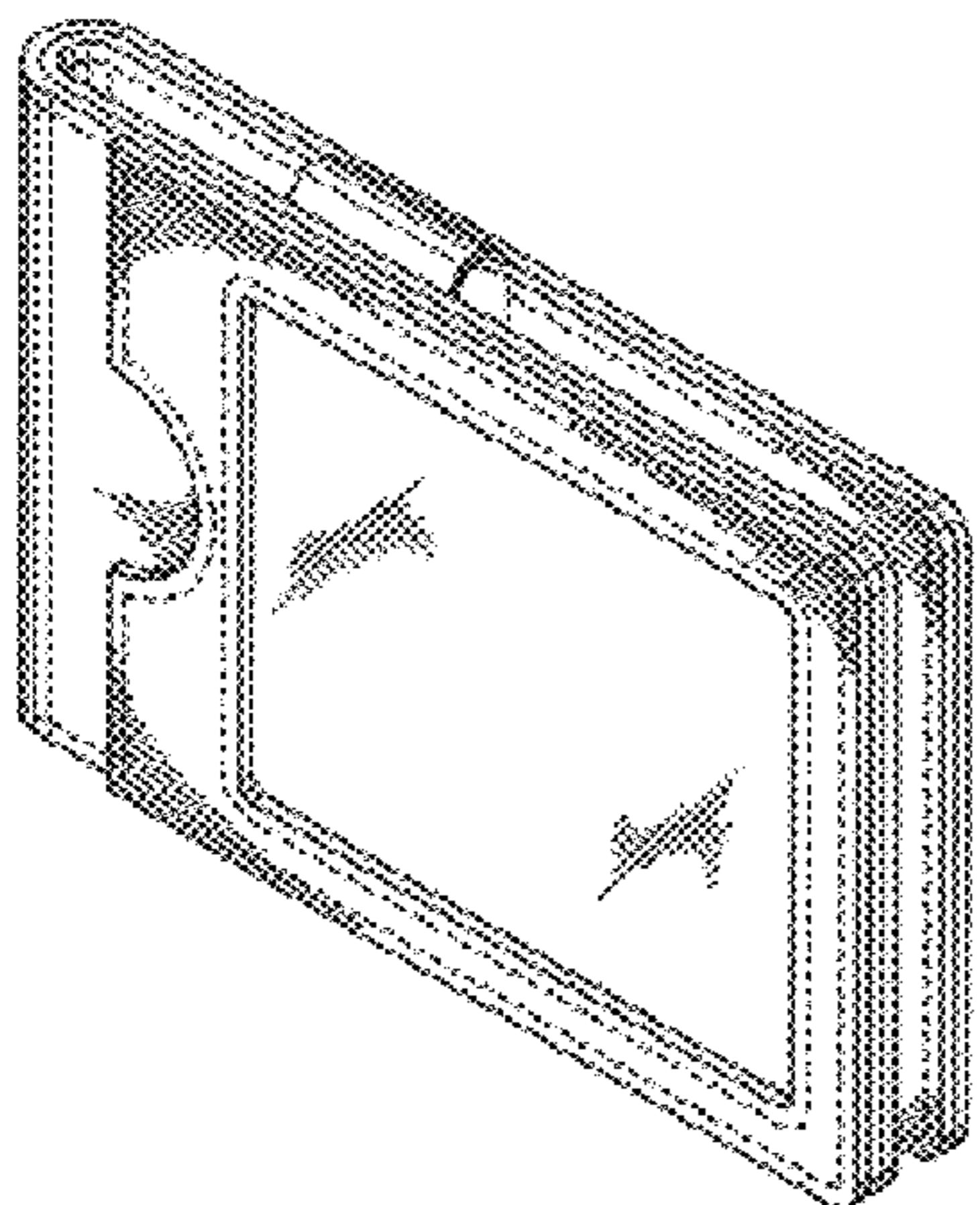
The broken lines shown in FIGS. 1-4 and 9-10 represent stitching.

* cited by examiner

Primary Examiner—Louis S. Zarfes

Assistant Examiner—Monica A. Weingart

1 Claim, 5 Drawing Sheets



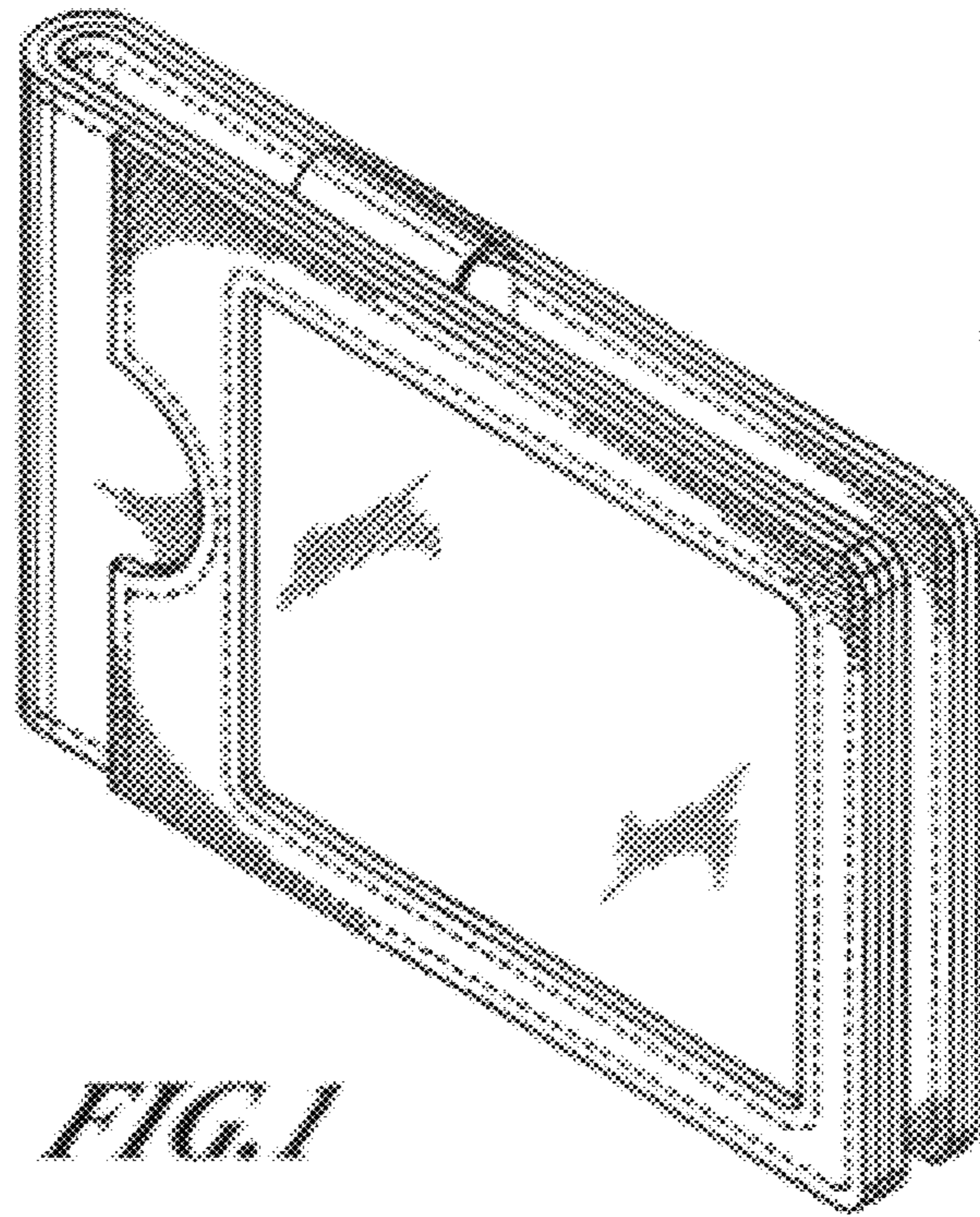


FIG. 1

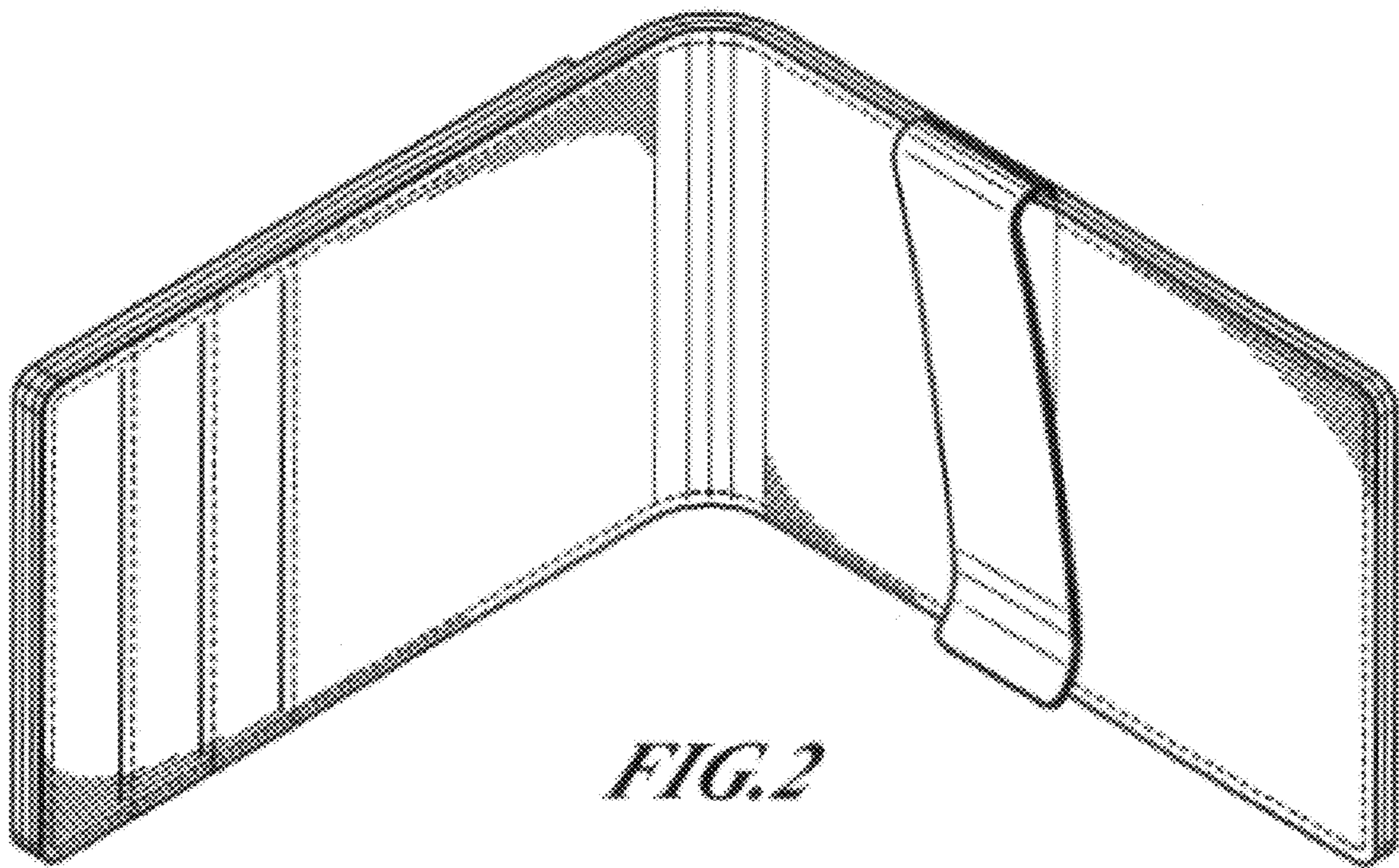


FIG. 2

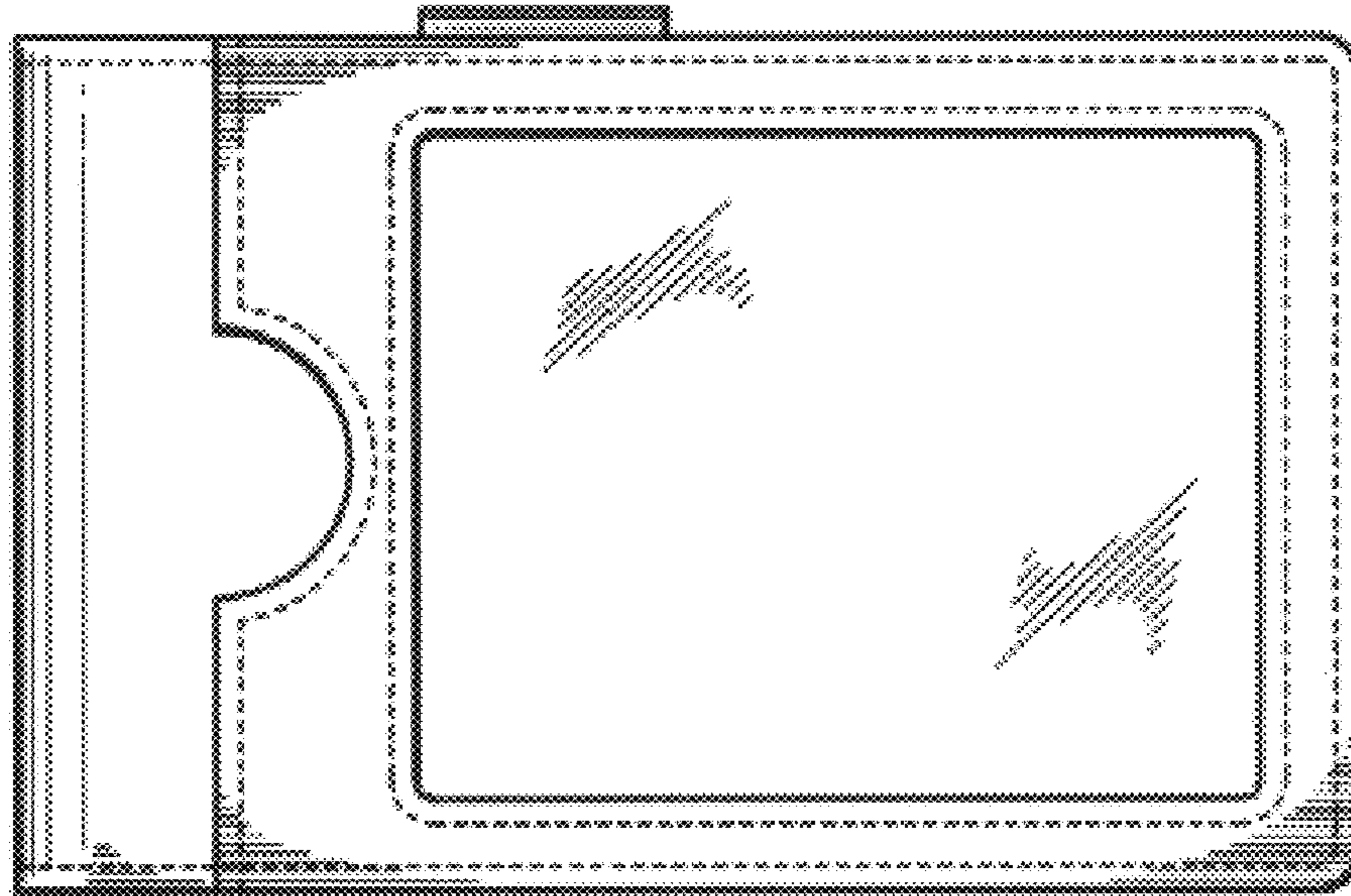


FIG. 3

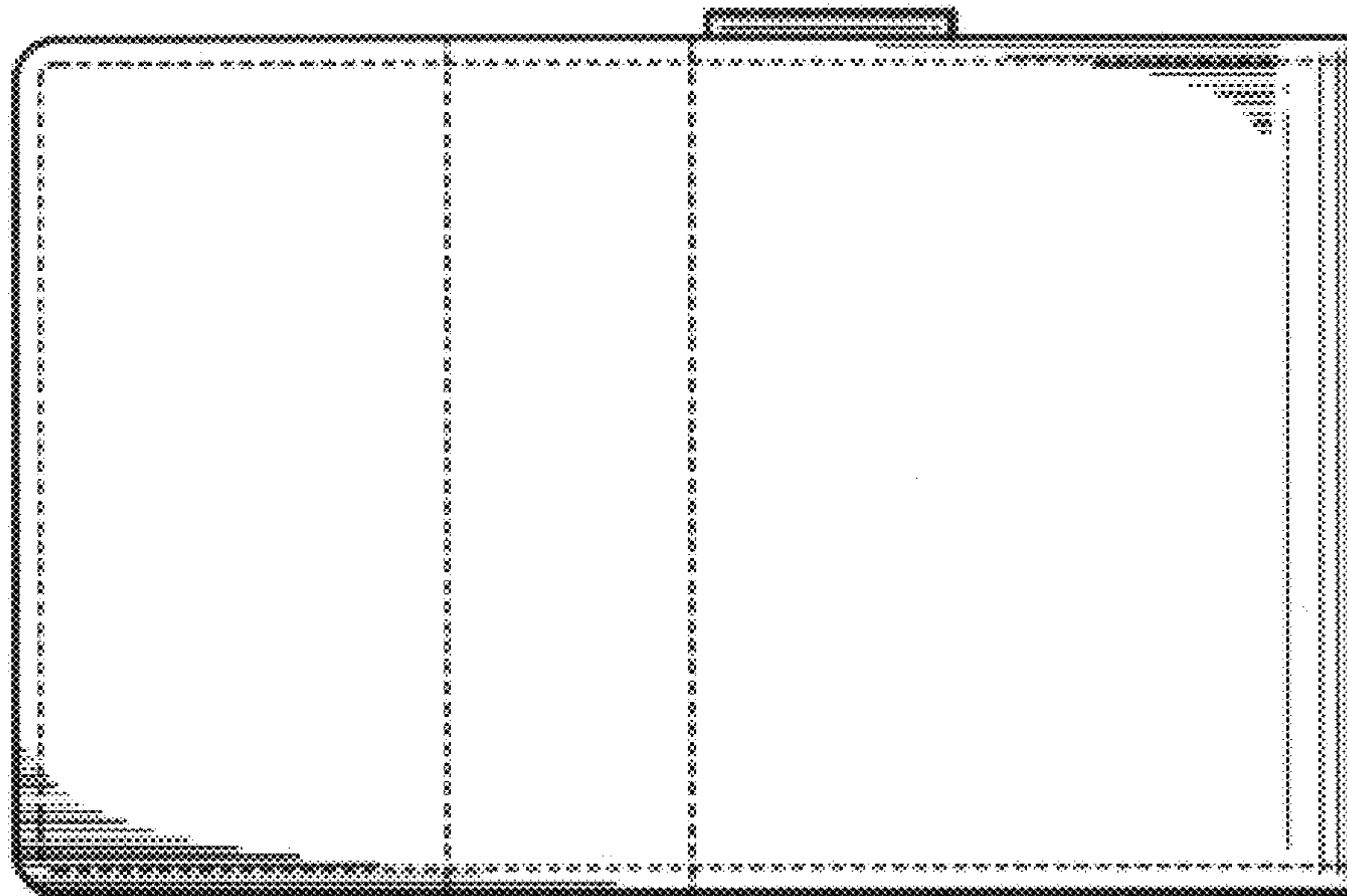


FIG. 4

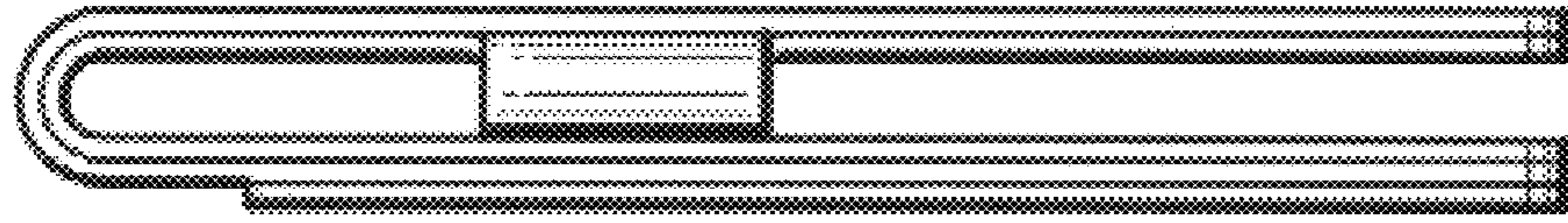


FIG. 5

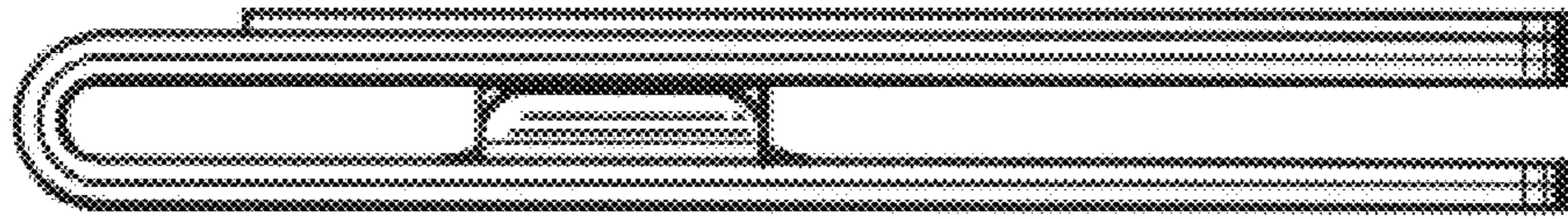


FIG. 6

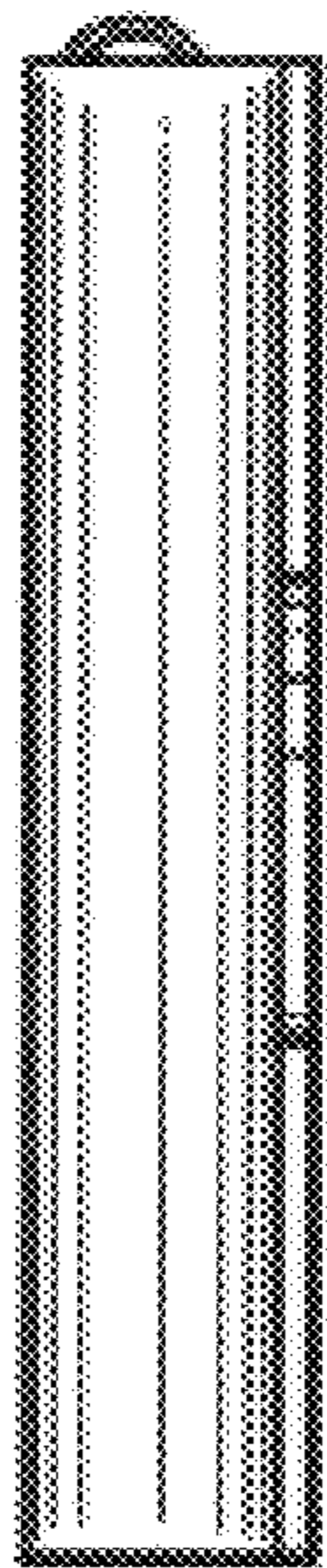


FIG. 7

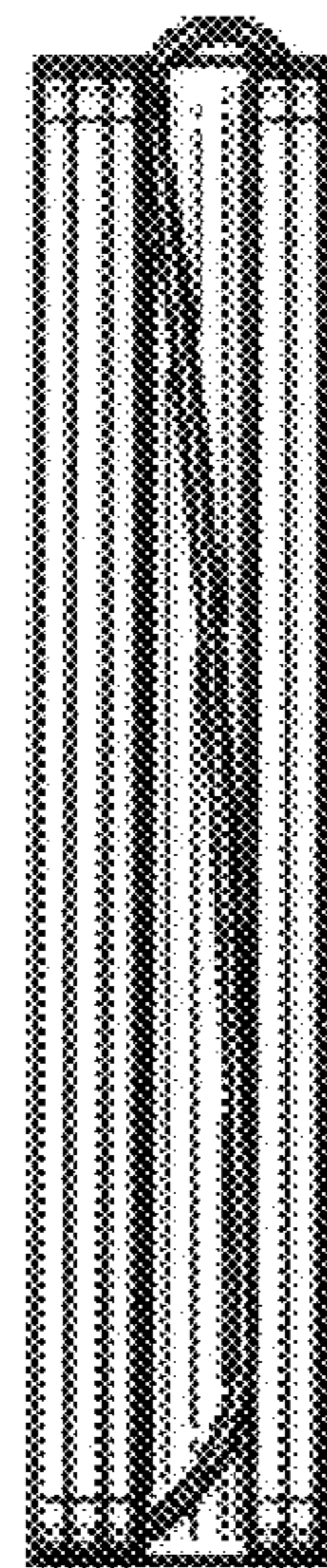


FIG. 8

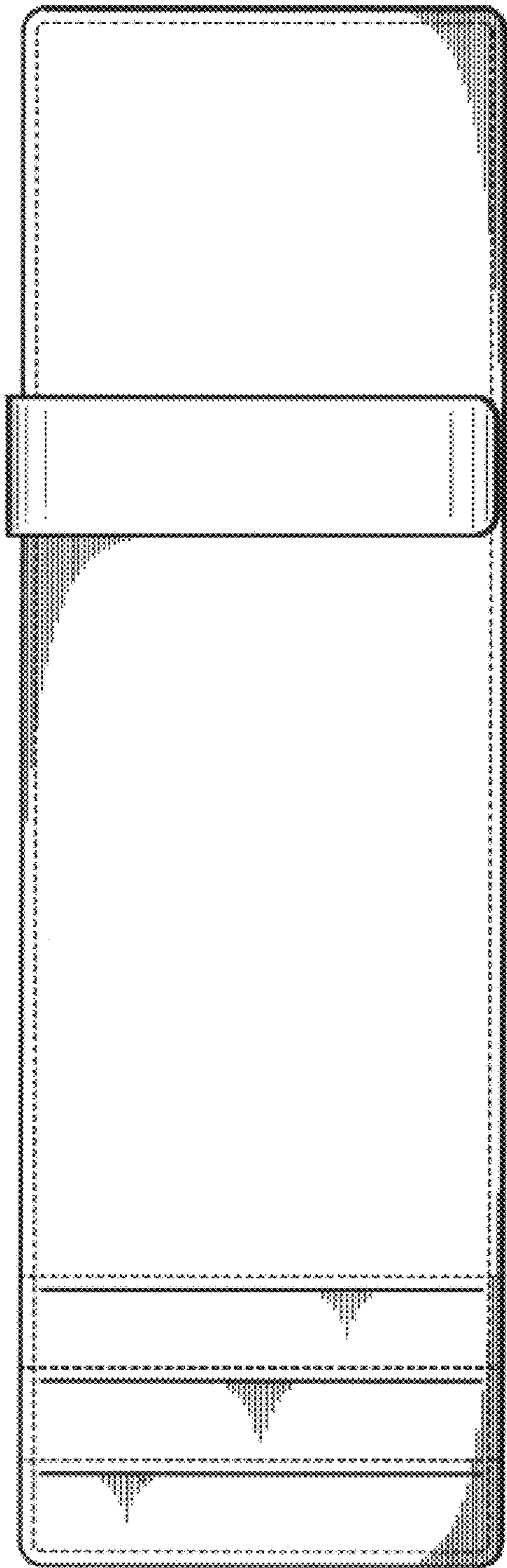


FIG. 9

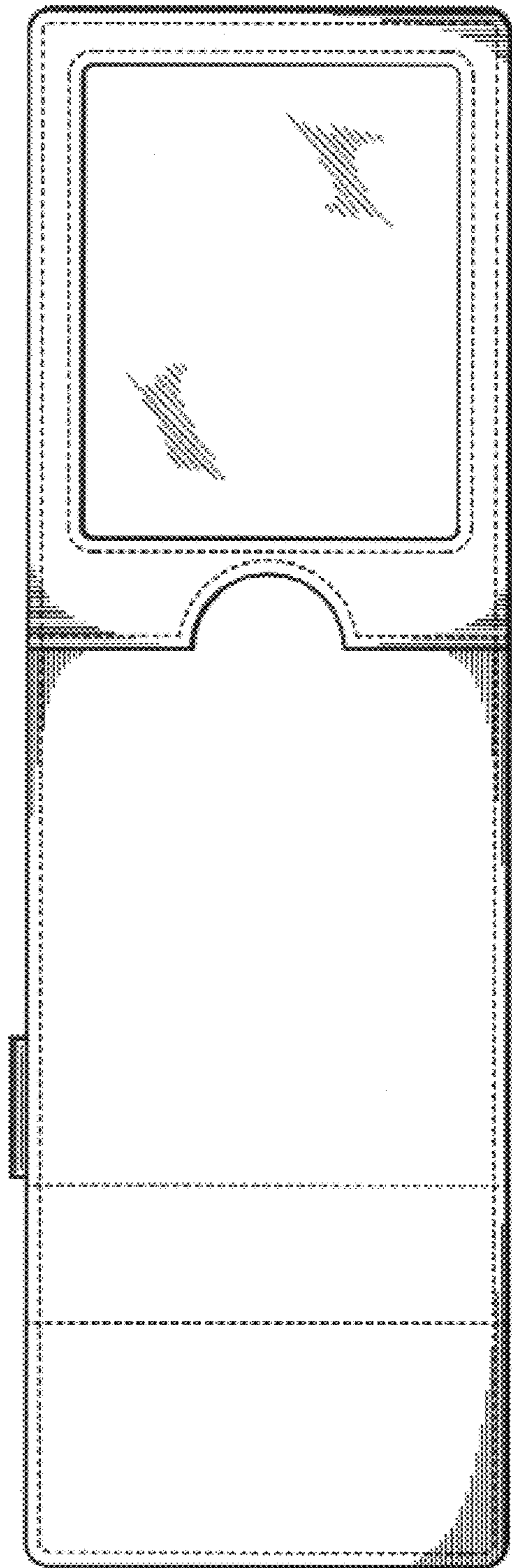


FIG. 10

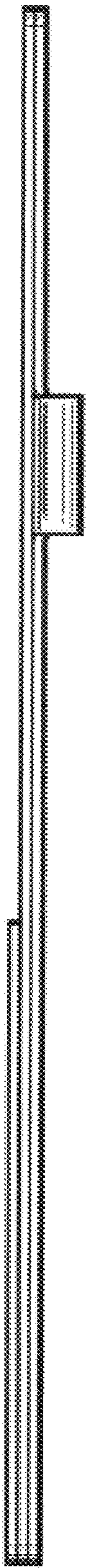


FIG. 11

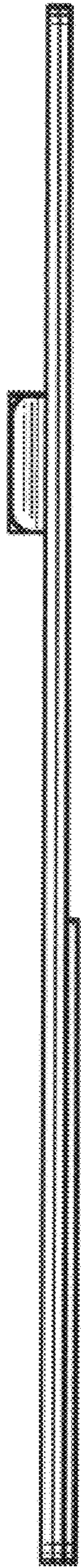


FIG. 12



FIG. 14

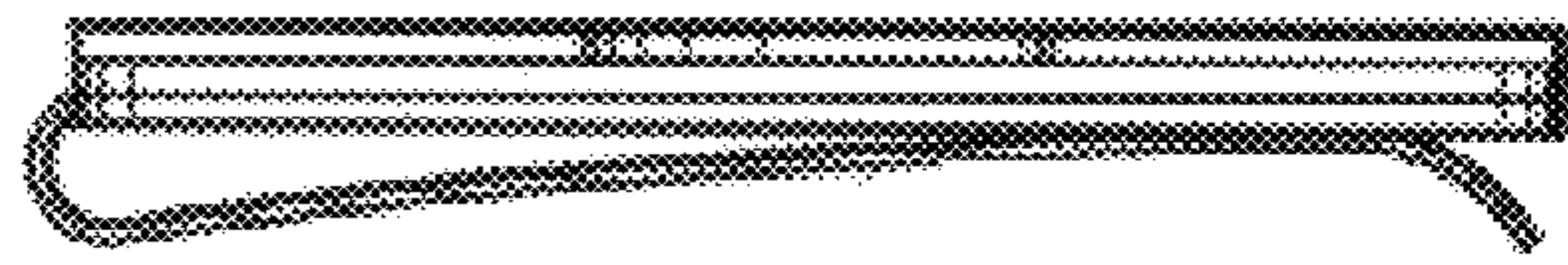


FIG. 13