



US00D551425S

(12) **United States Design Patent** (10) **Patent No.:** **US D551,425 S**
Layle (45) **Date of Patent:** **** Sep. 18, 2007**

(54) **PLASTIC COFFIN**

(76) Inventor: **Christina C. Layle**, 491 Kelly Rd.,
Apt. 30, Bowling Green, KY (US)
42101

(**) Term: **14 Years**

(21) Appl. No.: **29/245,071**

(22) Filed: **Dec. 19, 2005**

(51) **LOC (8) Cl.** **99-00**

(52) **U.S. Cl.** **D99/7**

(58) **Field of Classification Search** D99/1,
D99/2, 3, 4, 7, 10; 27/2, 3, 6, 7, 17, DIG. 1;
292/158, 160, 335

See application file for complete search history.

(56) **References Cited**

U.S. PATENT DOCUMENTS

D107,324 S *	12/1937	Schnelker	D99/7
D112,054 S *	11/1938	Christian	D99/7
2,372,412 A *	3/1945	Wallace	27/6
2,431,183 A *	11/1947	Mansfield	27/3
2,579,756 A *	12/1951	Reed	27/7
2,821,770 A *	2/1958	Gruber	27/17
2,864,640 A *	12/1958	Mattinson	292/335
3,050,818 A	8/1962	Phillips		
3,681,820 A	8/1972	Jalbert		
3,838,482 A	10/1974	Wallace		
3,944,267 A *	3/1976	Sundquist	292/158
4,759,104 A	7/1988	Buerosse		

4,890,366 A *	1/1990	Schaapveld	27/7
5,301,398 A	4/1994	Burse, Jr.		
5,680,682 A	10/1997	Watkins et al.		
D418,657 S *	1/2000	Lamolinara et al.	D99/7
6,154,938 A *	12/2000	LaJeunesse et al.	27/2

* cited by examiner

Primary Examiner—Paula A. Greene

(74) *Attorney, Agent, or Firm*—Donald R. Schoonover

(57) **CLAIM**

I claim the ornamental design for a plastic coffin, as shown and described.

DESCRIPTION

FIG. 1 is a perspective view of a plastic coffin showing my new design;

FIG. 2 is a side elevational view thereof, the elevational view of the opposing side being identical thereto;

FIG. 3 is a top plan view thereof;

FIG. 4 is a bottom plan view thereof;

FIG. 5 is an end elevational view thereof, the elevational view of the opposing end being identical thereto; and,

FIG. 6 is a side elevational view showing the plastic coffin in use; the broken lines depict environmental structure for illustrative purposes only and form no part of the claimed design.

1 Claim, 2 Drawing Sheets

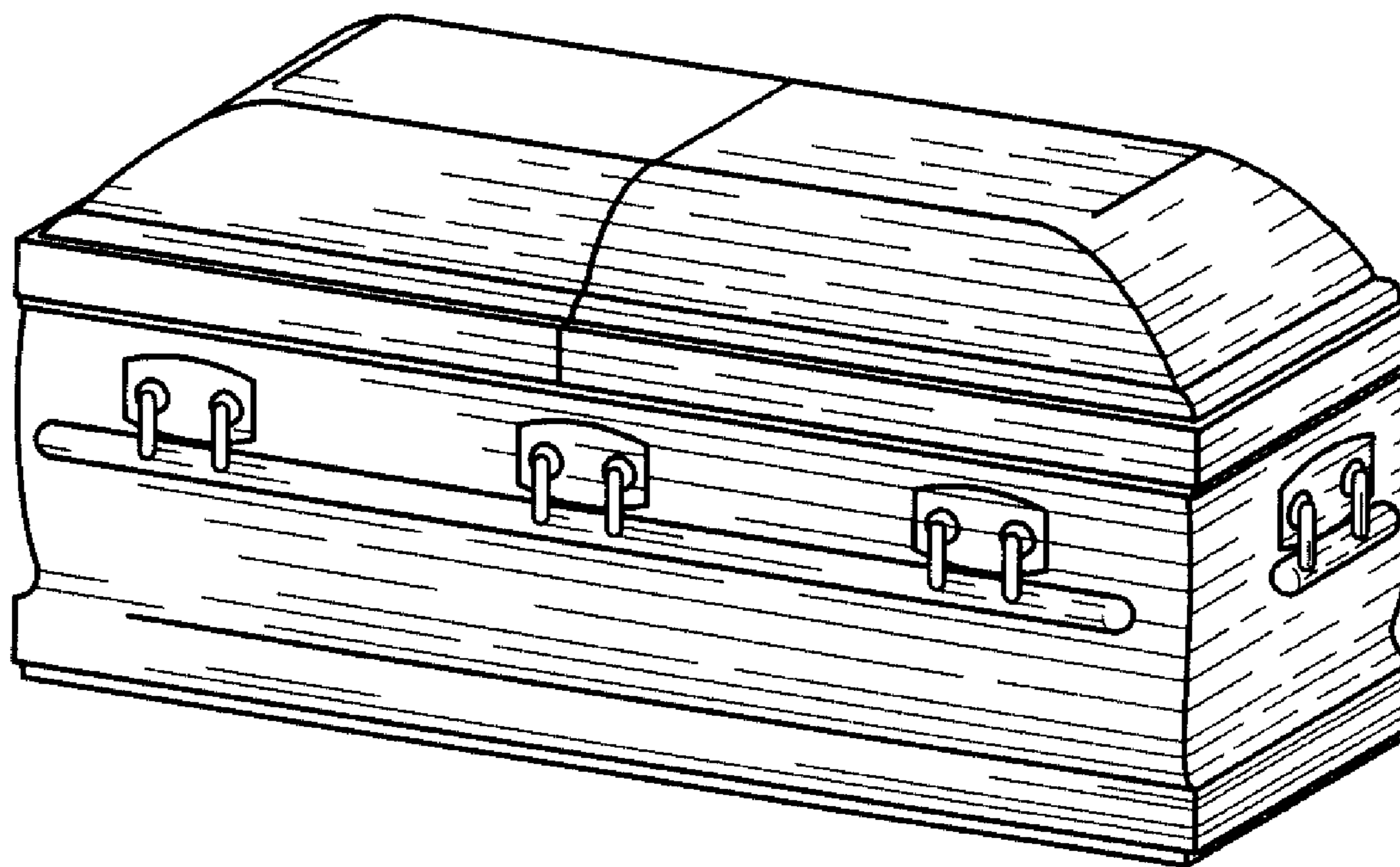


Fig. 1

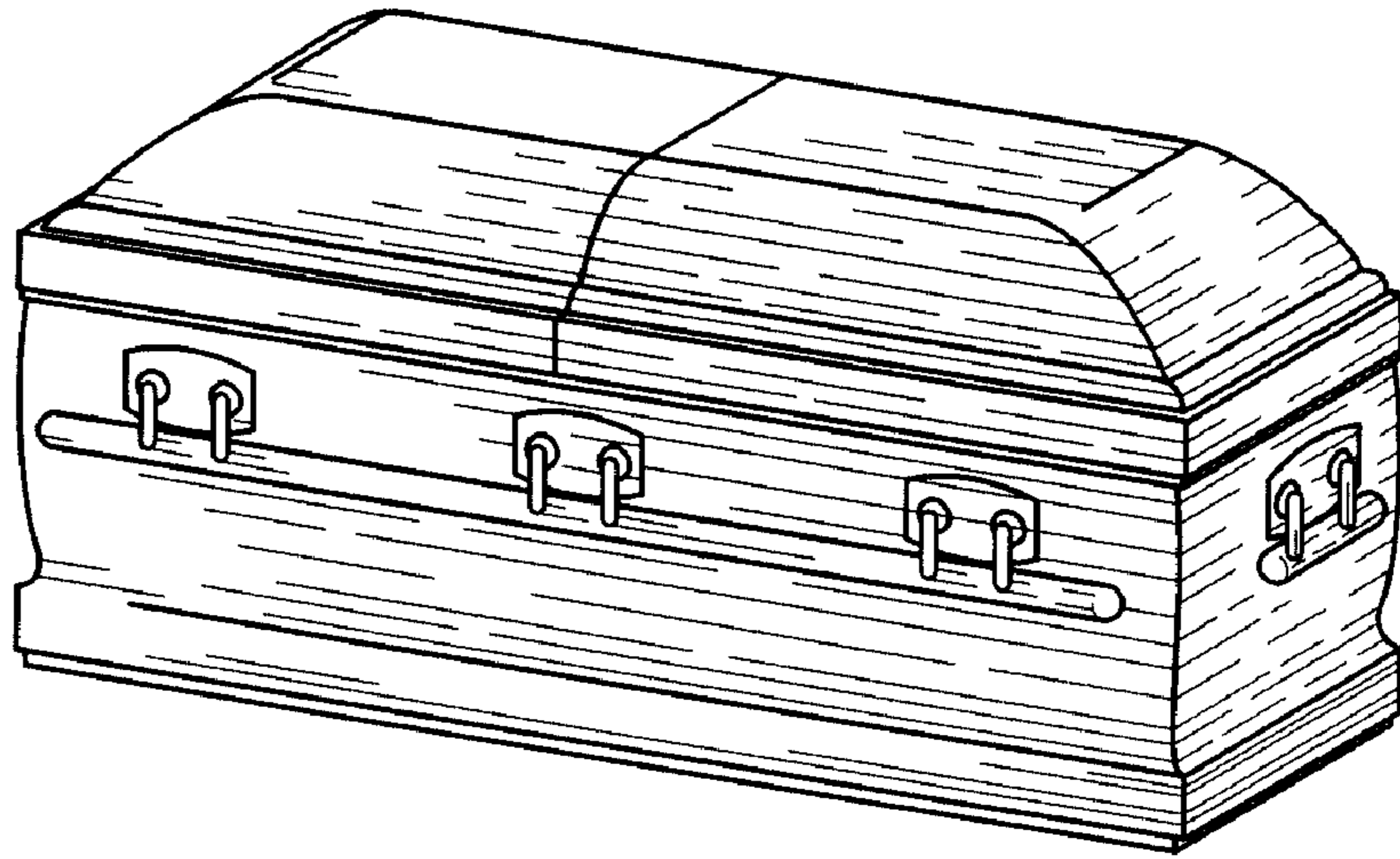


Fig. 2

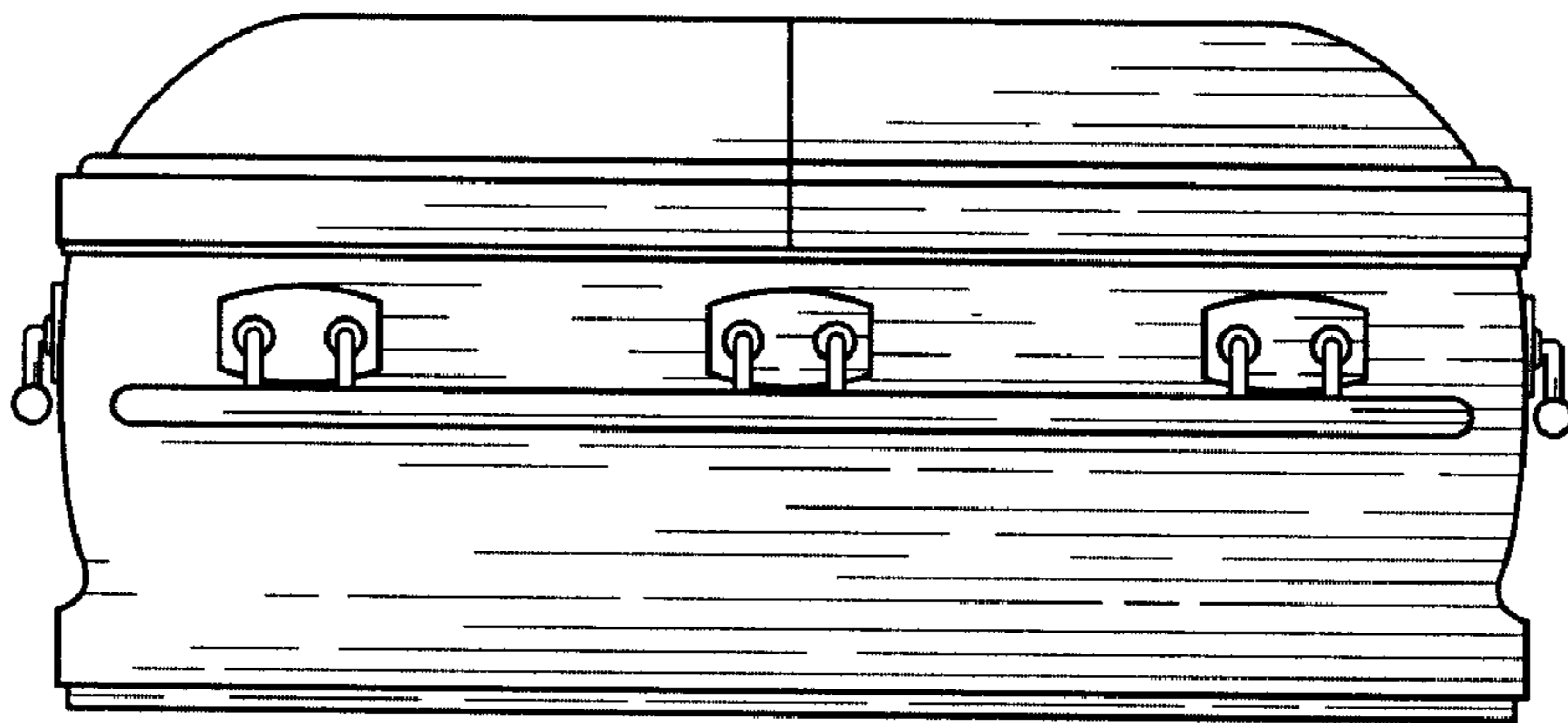


Fig. 3

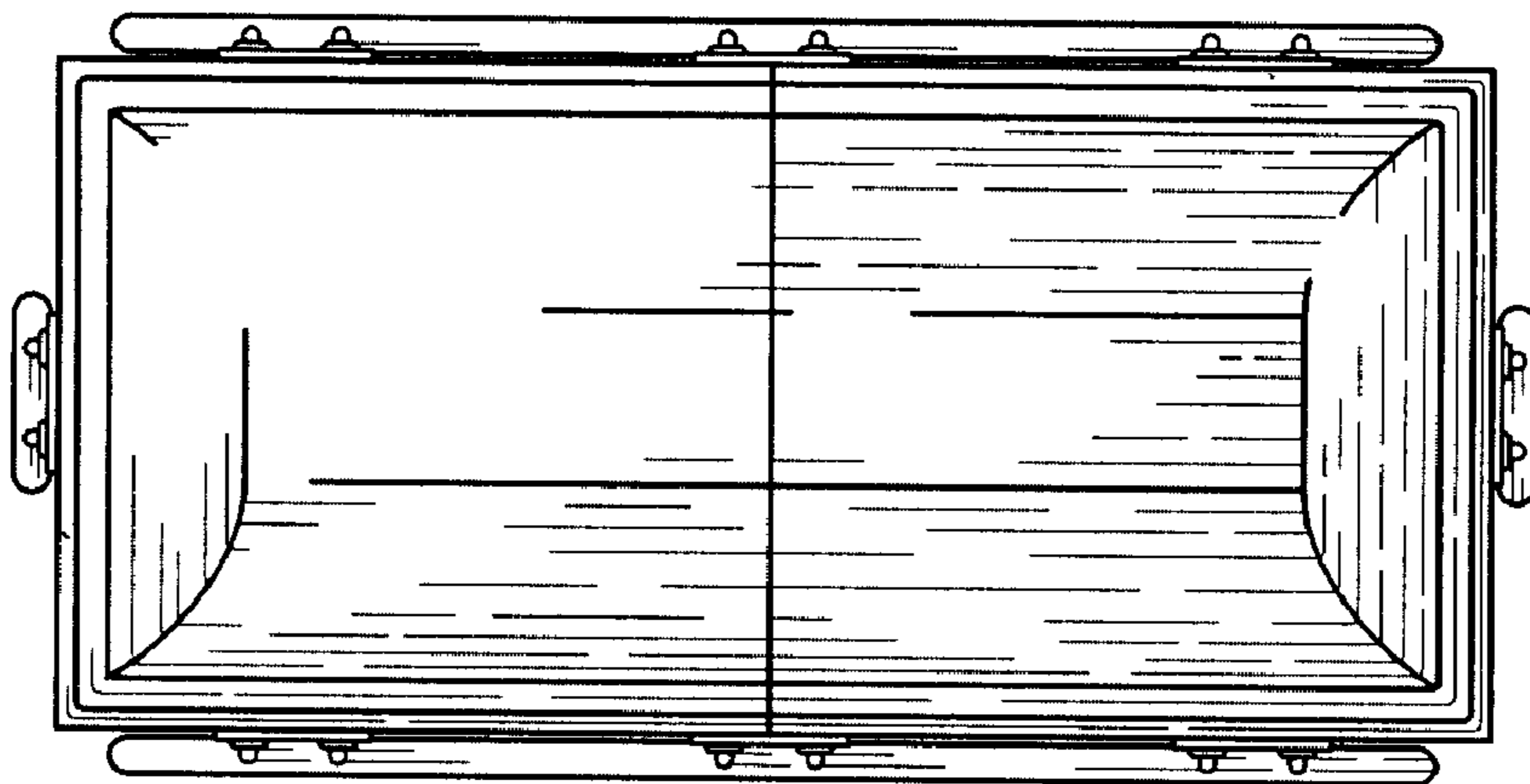


Fig. 4

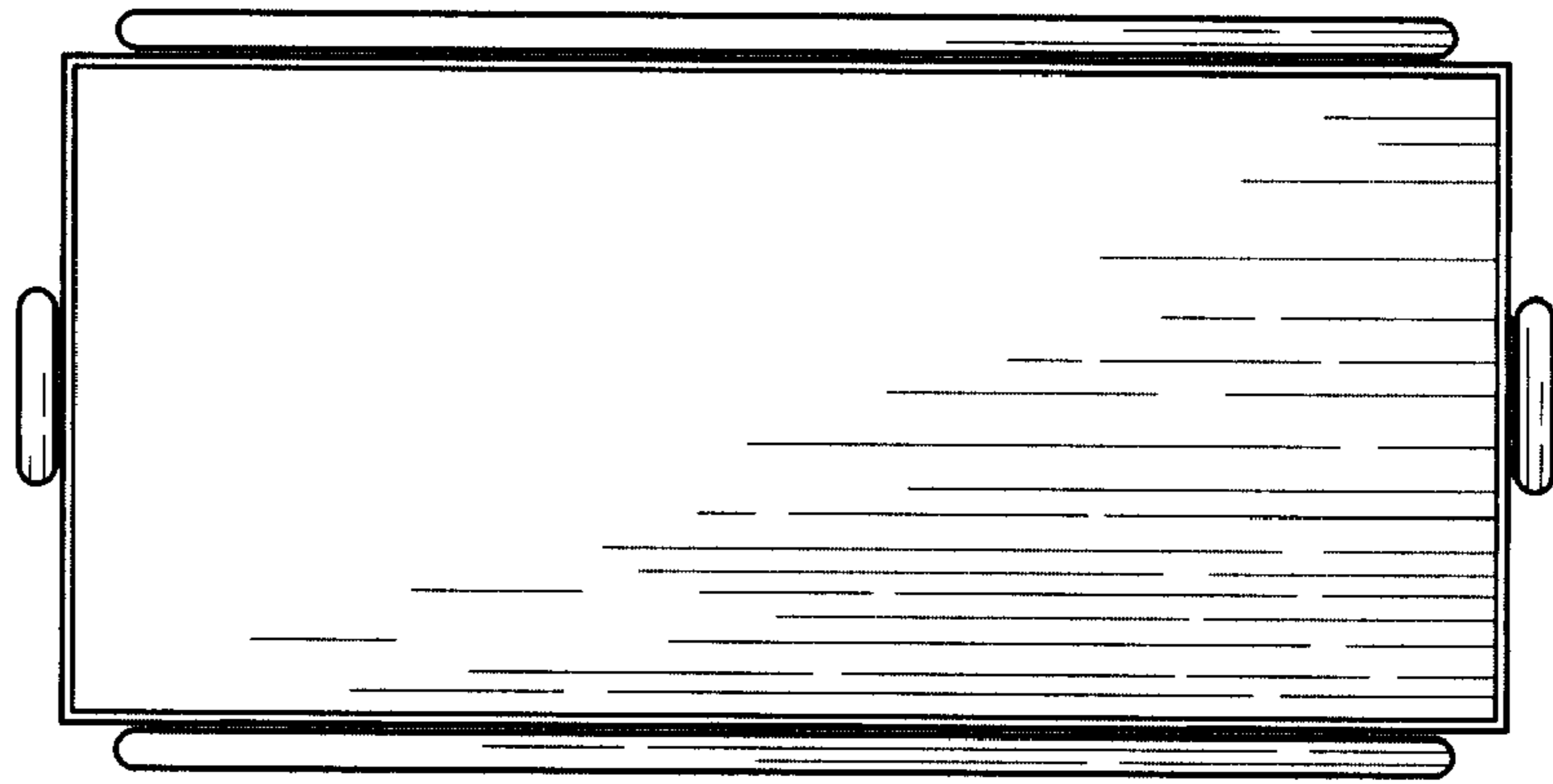


Fig. 5

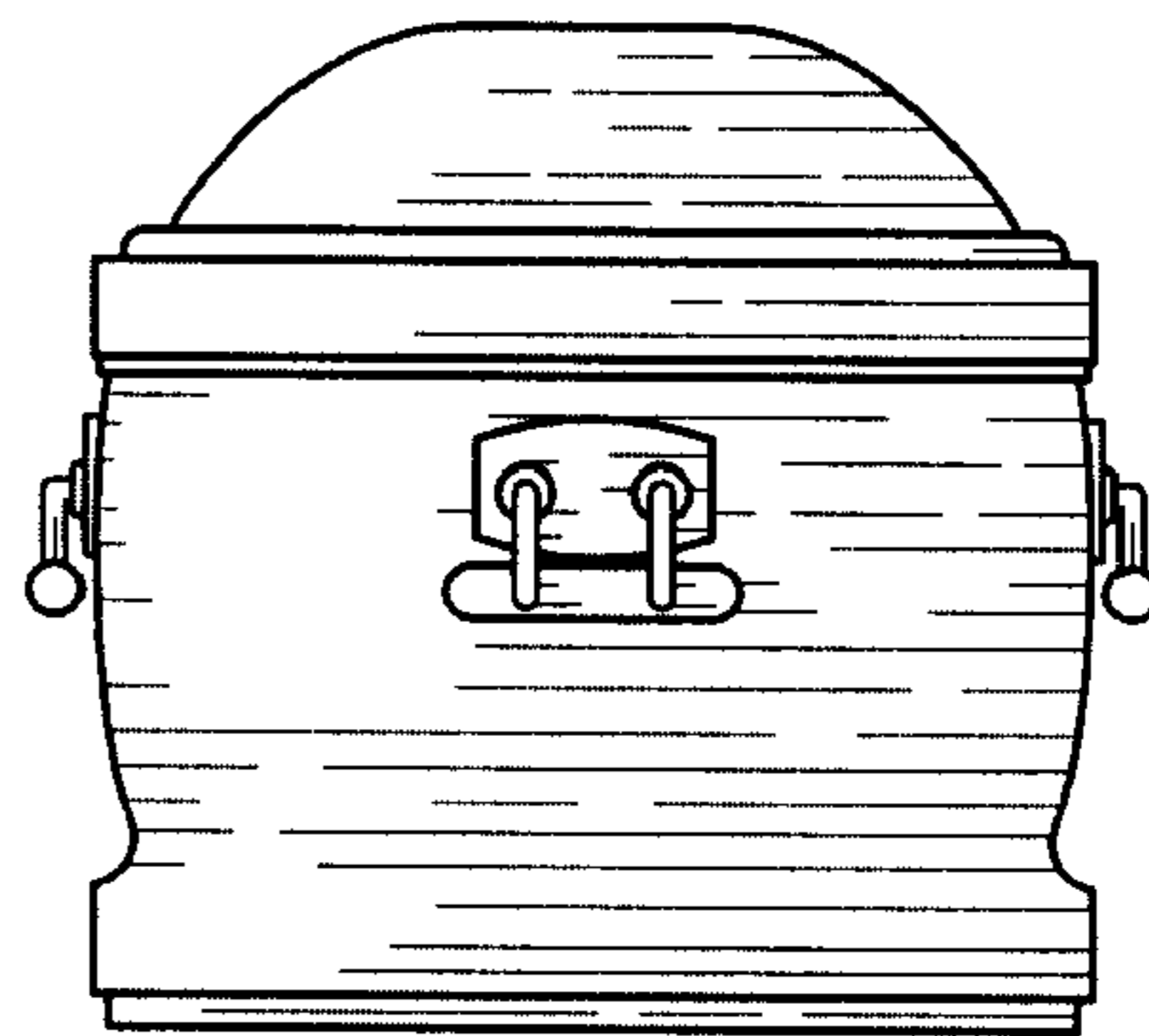


Fig. 6

