



US00D551424S

(12) **United States Design Patent**
Meisen et al.

(10) **Patent No.:** **US D551,424 S**

(45) **Date of Patent:** **** Sep. 18, 2007**

(54) **LOADING LEDGE DEVICE WITH FRICTION SURFACE**

D520,709 S * 5/2006 Giampavolo et al. D34/38
2003/0172851 A1* 9/2003 Chen 108/51.3
2005/0274296 A1* 12/2005 Dickner 108/51.11

(75) Inventors: **Cynthia Roxanne Meisen**, Atlanta, GA (US); **Edward B. Fuller**, Atlanta, GA (US); **Jonathan W. North**, Orlando, FL (US)

* cited by examiner

Primary Examiner—Cynthia E. Ramirez

(73) Assignee: **Inter IKEA Systems B.V.**, Delft (NL)

(57) **CLAIM**

(**) Term: **14 Years**

The ornamental design for a loading ledge device with friction surface, as shown and described.

(21) Appl. No.: **29/215,970**

(22) Filed: **Oct. 28, 2004**

DESCRIPTION

(30) **Foreign Application Priority Data**

Apr. 30, 2004 (SE) 04-0355

(51) **LOC (8) Cl.** **12-05**

(52) **U.S. Cl.** **D34/38**

(58) **Field of Classification Search** D34/38;
108/51.11, 51.3, 53.1, 56.1, 56.3, 57.18
See application file for complete search history.

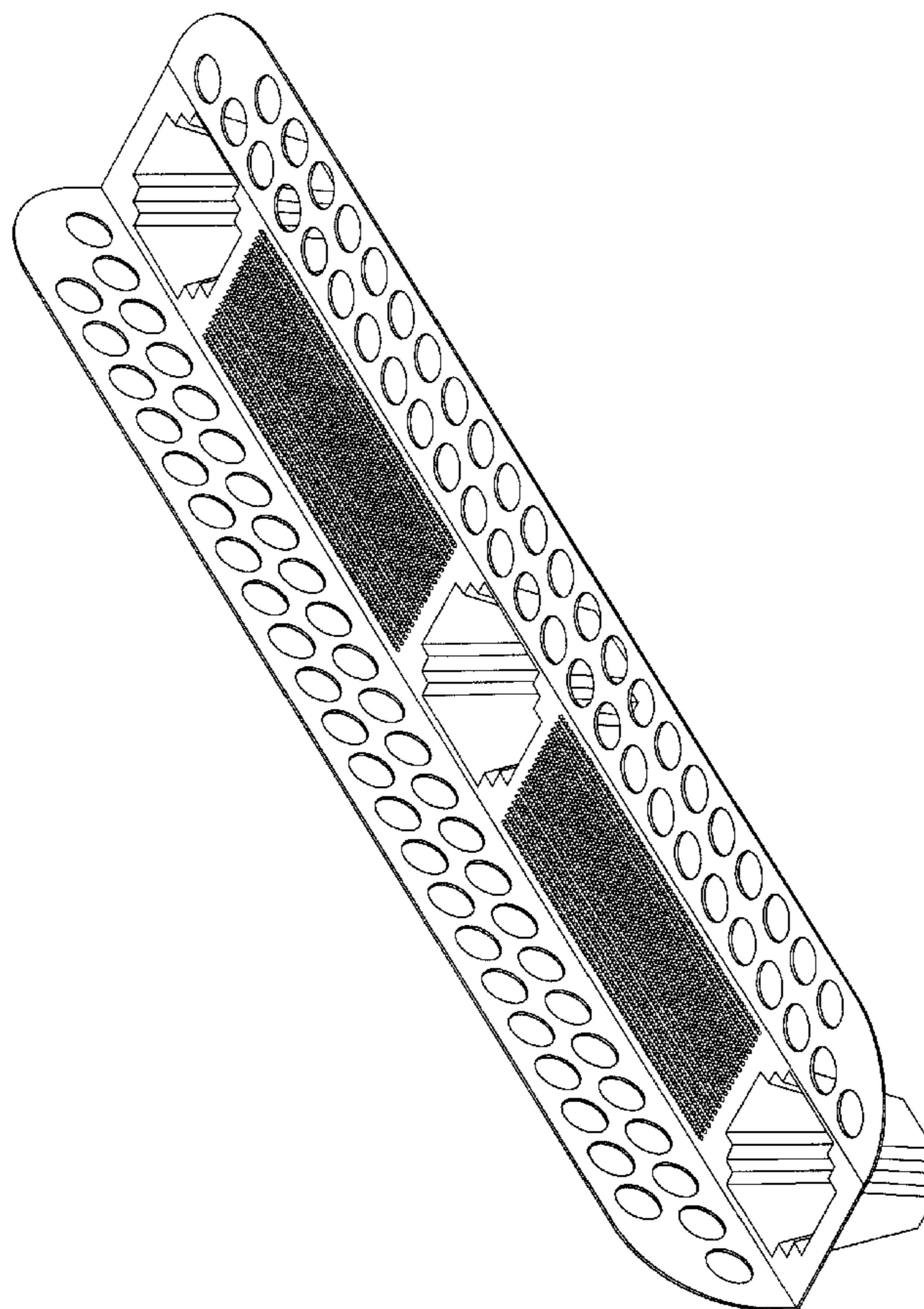
FIG. 1 is a front perspective view from above of a loading ledge device with friction surface showing our new design; FIG. 2 is a rear perspective view from below thereof; FIG. 3 is a bottom plan view thereof; FIG. 4 is top plan view thereof; FIG. 5 is a rear elevational view thereof; FIG. 6 is a front elevational view thereof; FIG. 7 is an end view thereof; and, FIG. 8 is the other end view thereof.

(56) **References Cited**

U.S. PATENT DOCUMENTS

6,926,144 B1 * 8/2005 Schnaars et al. 206/386

1 Claim, 6 Drawing Sheets



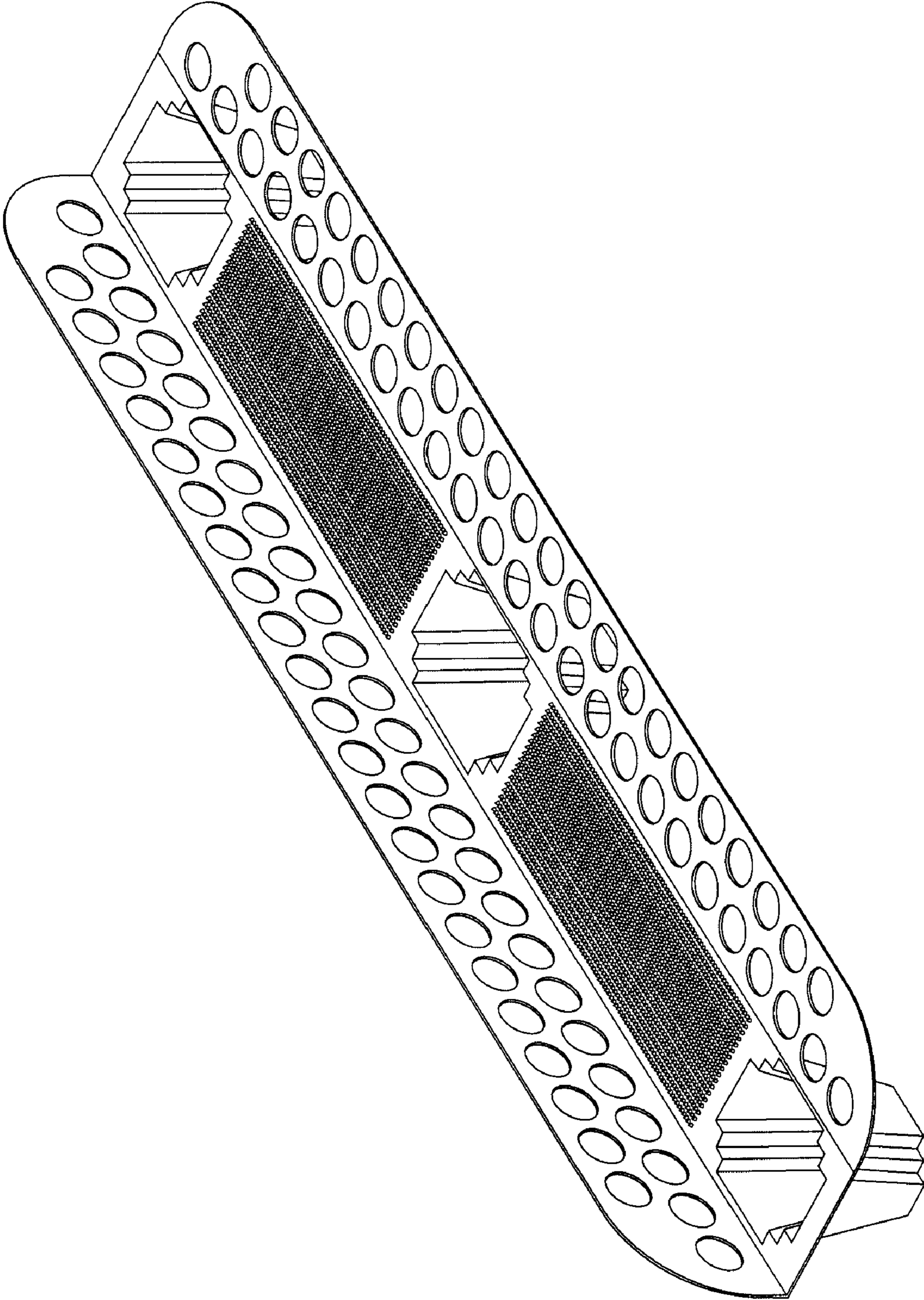


FIG. 1

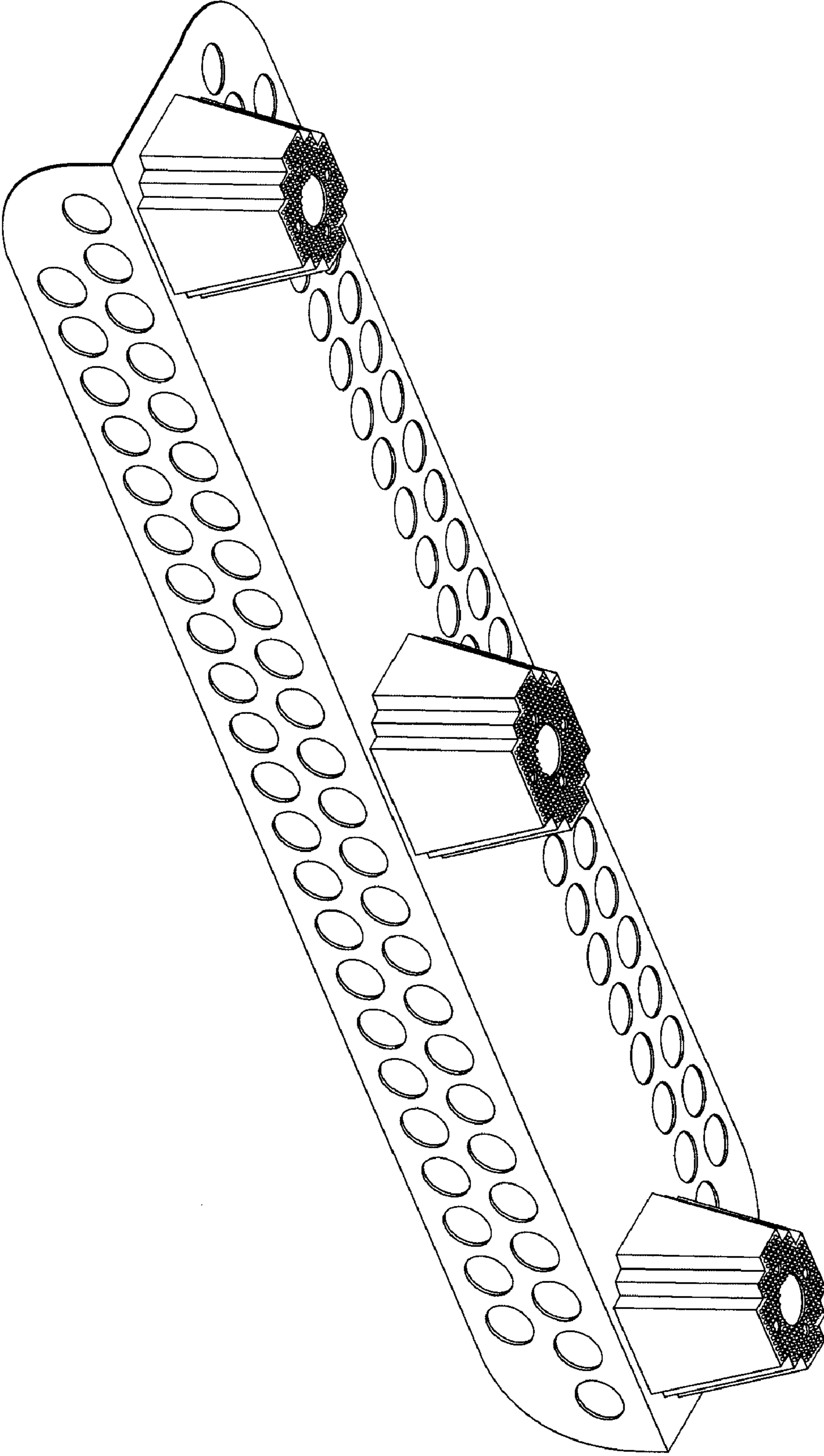


FIG. 2

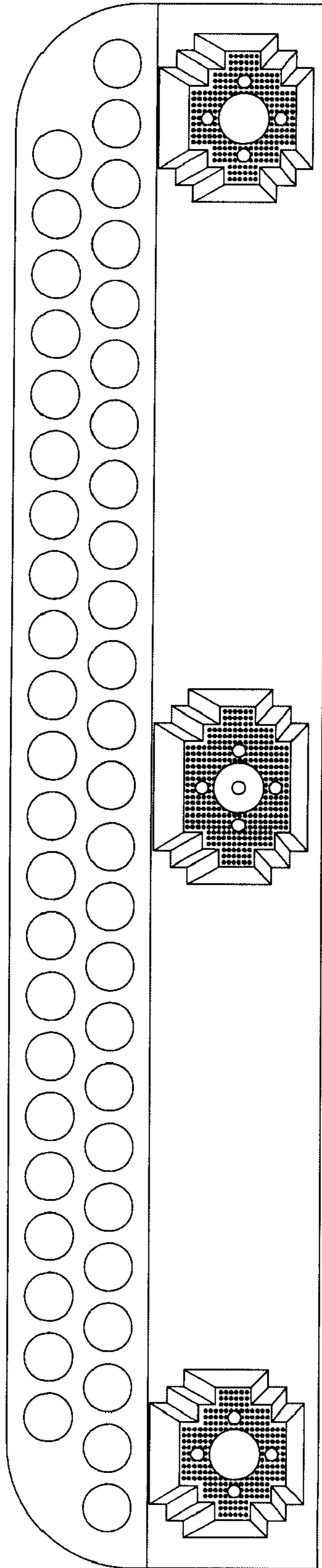


FIG. 3

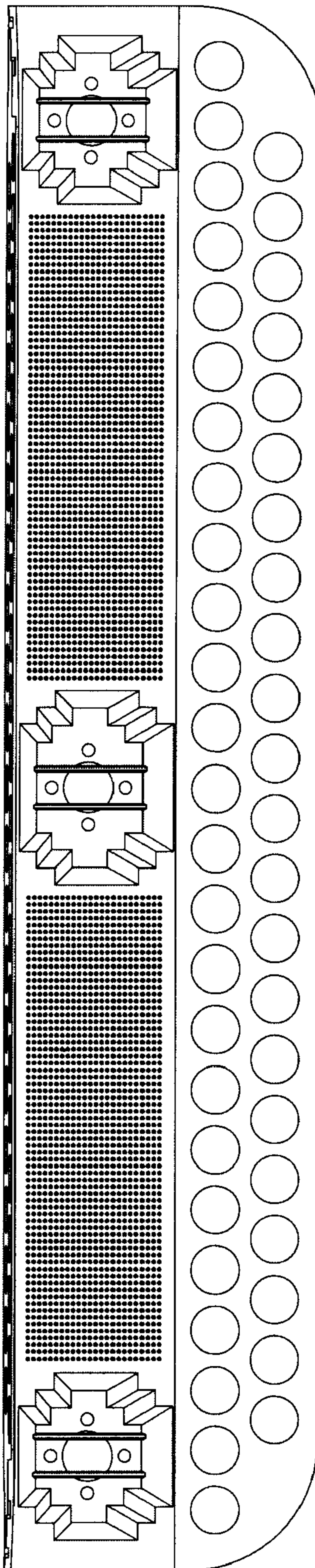


FIG. 4

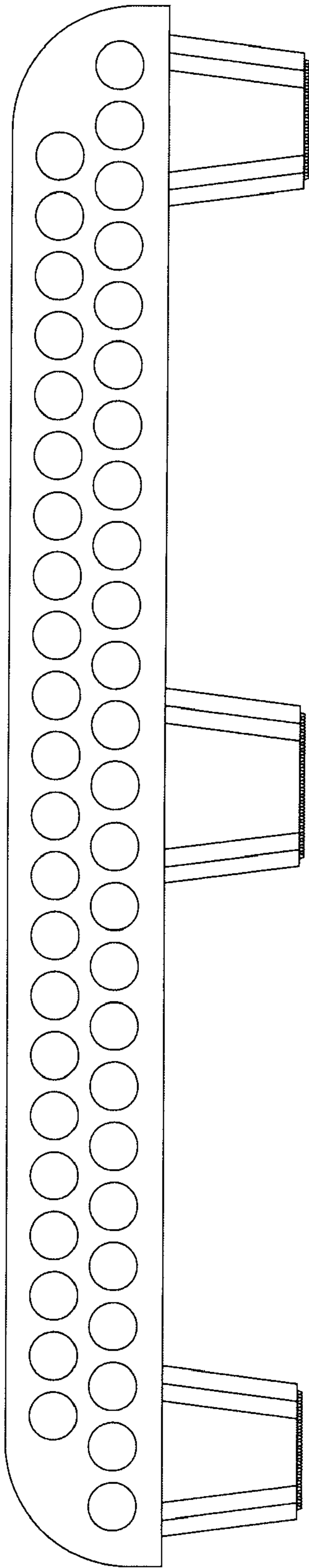


FIG. 5

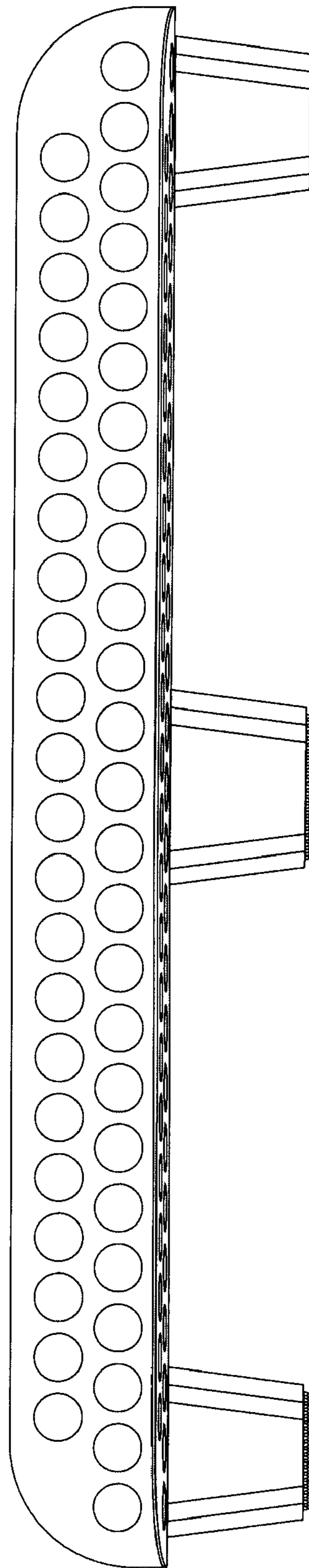


FIG. 6

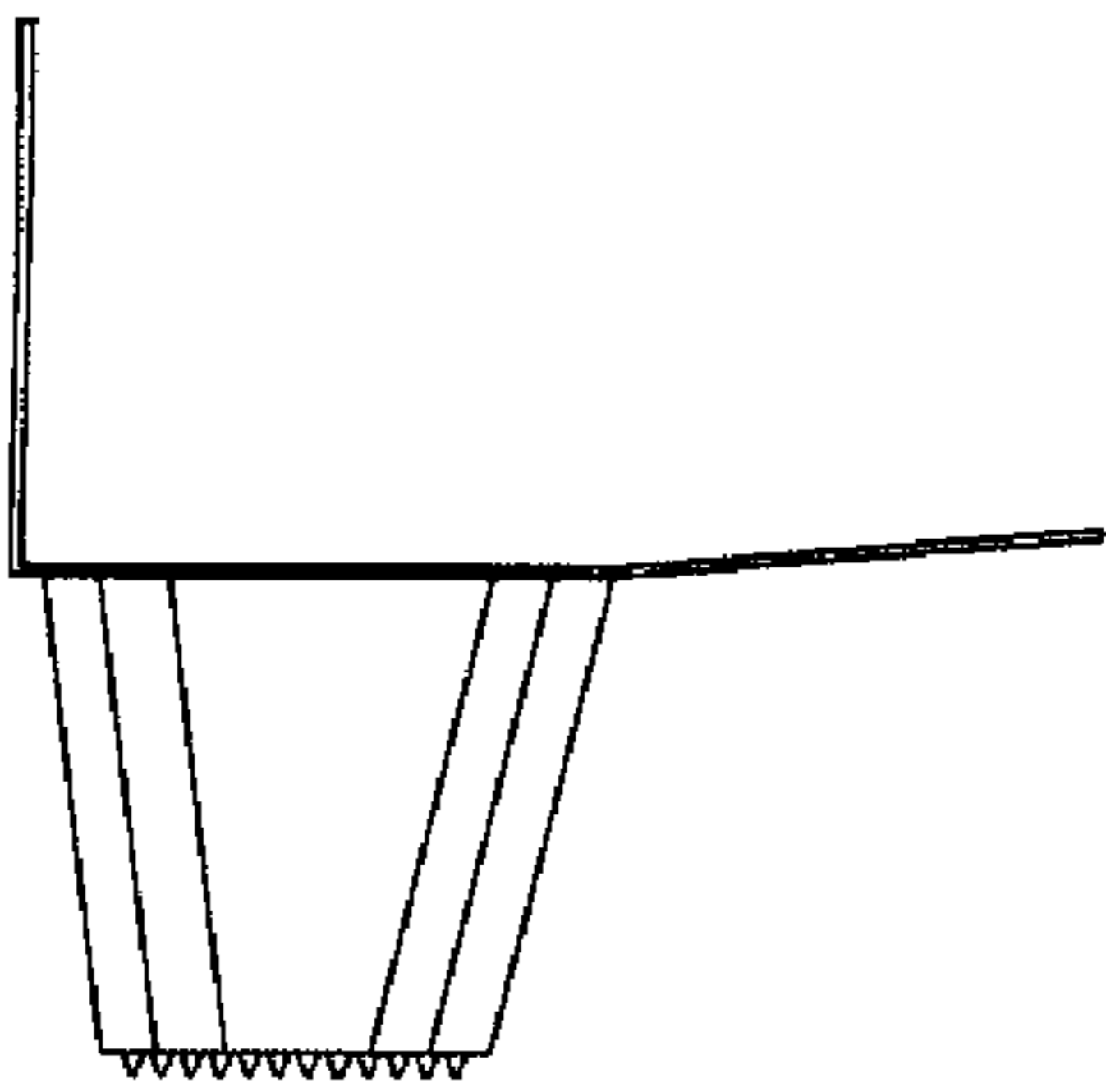


FIG. 7

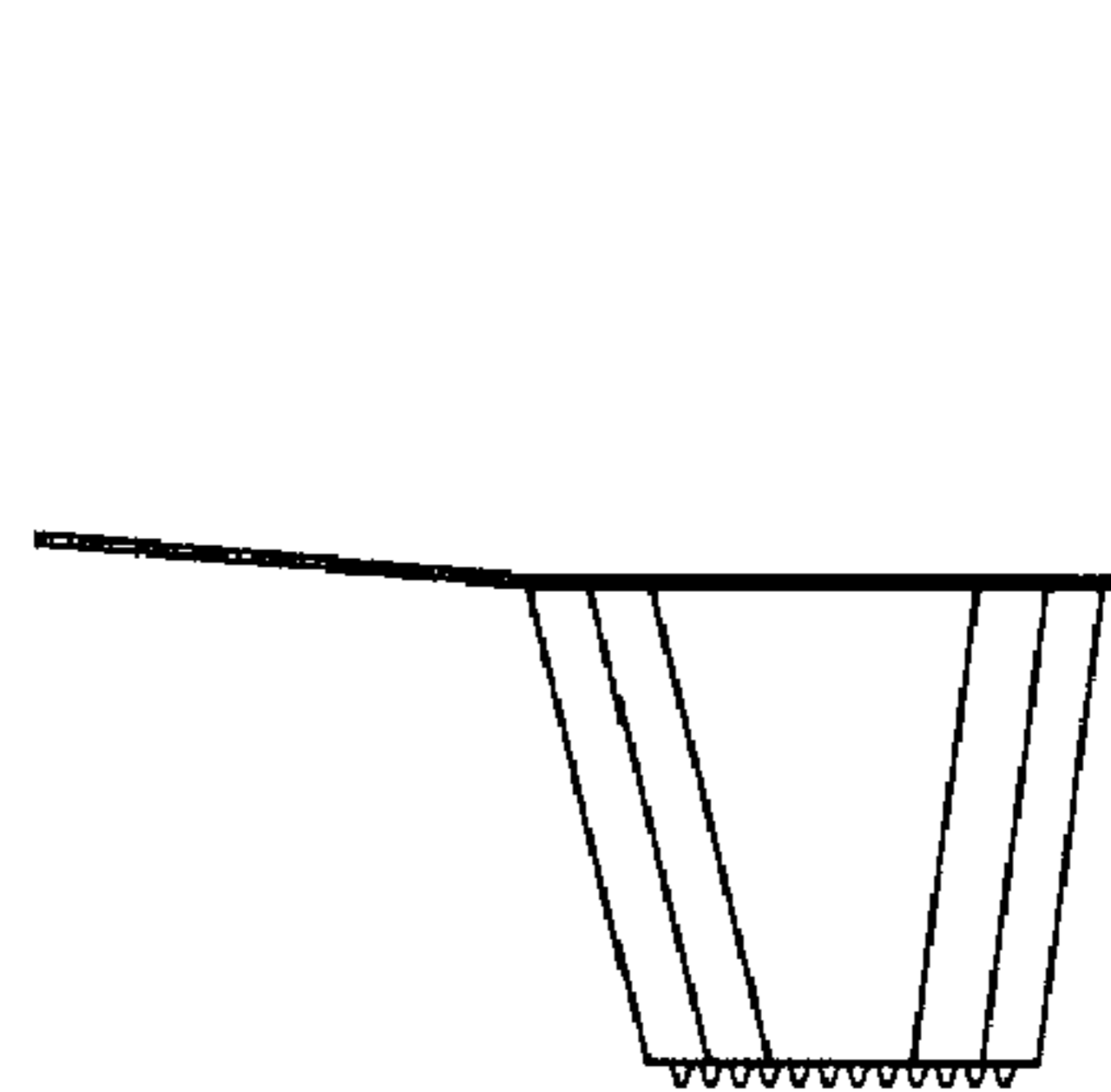


FIG. 8