



US00D551422S

(12) **United States Design Patent**  
**Kodama et al.**

(10) **Patent No.:** **US D551,422 S**  
(45) **Date of Patent:** **\*\* Sep. 18, 2007**

(54) **FORKLIFT TRUCK**

(75) Inventors: **Toru Kodama**, Aichi (JP); **Hitoshi Mizuno**, Toyota (JP); **Takeo Imanaka**, Toyota (JP)

(73) Assignee: **Hoei Shokai Co., Ltd.**, Aichi (JP)

(\*\*) Term: **14 Years**

(21) Appl. No.: **29/260,817**

(22) Filed: **Jun. 2, 2006**

(30) **Foreign Application Priority Data**

Dec. 5, 2005 (JP) ..... 2005-035875

(51) **LOC (8) Cl.** ..... **12-05**

(52) **U.S. Cl.** ..... **D34/34**

(58) **Field of Classification Search** ..... D34/34;  
187/222, 237, 238; 414/685

See application file for complete search history.

(56) **References Cited**

**U.S. PATENT DOCUMENTS**

D396,928 S \* 8/1998 Hahn et al. .... D34/34  
D412,385 S \* 7/1999 Murakami et al. .... D34/34  
D427,409 S \* 6/2000 Sato et al. .... D34/34  
D448,136 S \* 9/2001 Yurushi et al. .... D34/34

D470,990 S \* 2/2003 Han et al. .... D34/34  
D471,340 S \* 3/2003 Shibata et al. .... D34/34  
D492,832 S \* 7/2004 Braud ..... D34/34

**FOREIGN PATENT DOCUMENTS**

JP D1187842 S 10/2003

\* cited by examiner

*Primary Examiner*—Cynthia E. Ramirez

(74) *Attorney, Agent, or Firm*—Rader, Fishman & Grauer PLLC

(57) **CLAIM**

The ornamental design for a forklift truck, as shown.

**DESCRIPTION**

FIG. 1 is a perspective view of a forklift truck showing our new design;

FIG. 2 is a right side elevational view thereof;

FIG. 3 is a left side elevational view thereof;

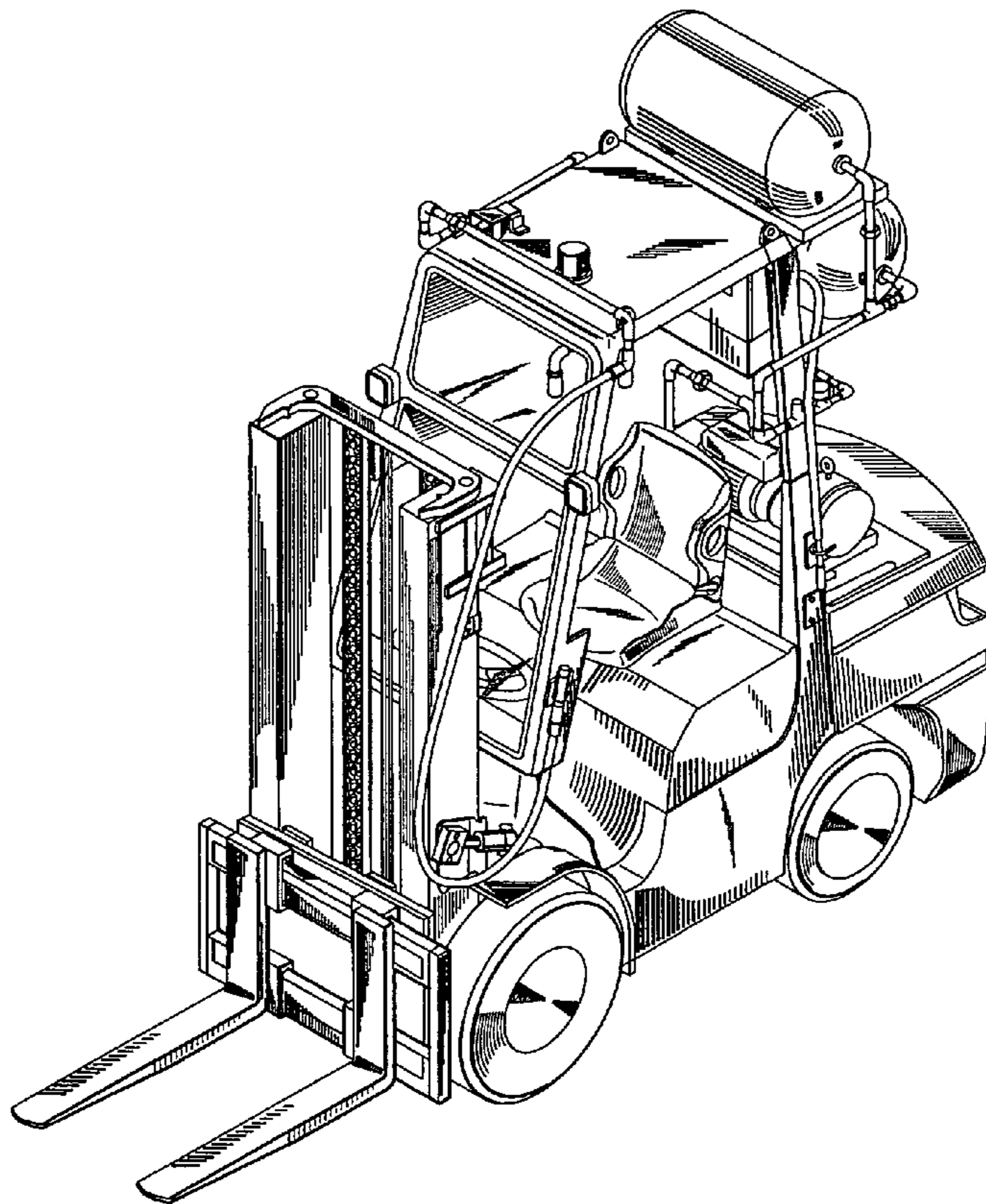
FIG. 4 is a front elevational view thereof;

FIG. 5 is a rear elevational view thereof;

FIG. 6 is a top plan view thereof; and,

FIG. 7 is a bottom plan view thereof.

**1 Claim, 7 Drawing Sheets**



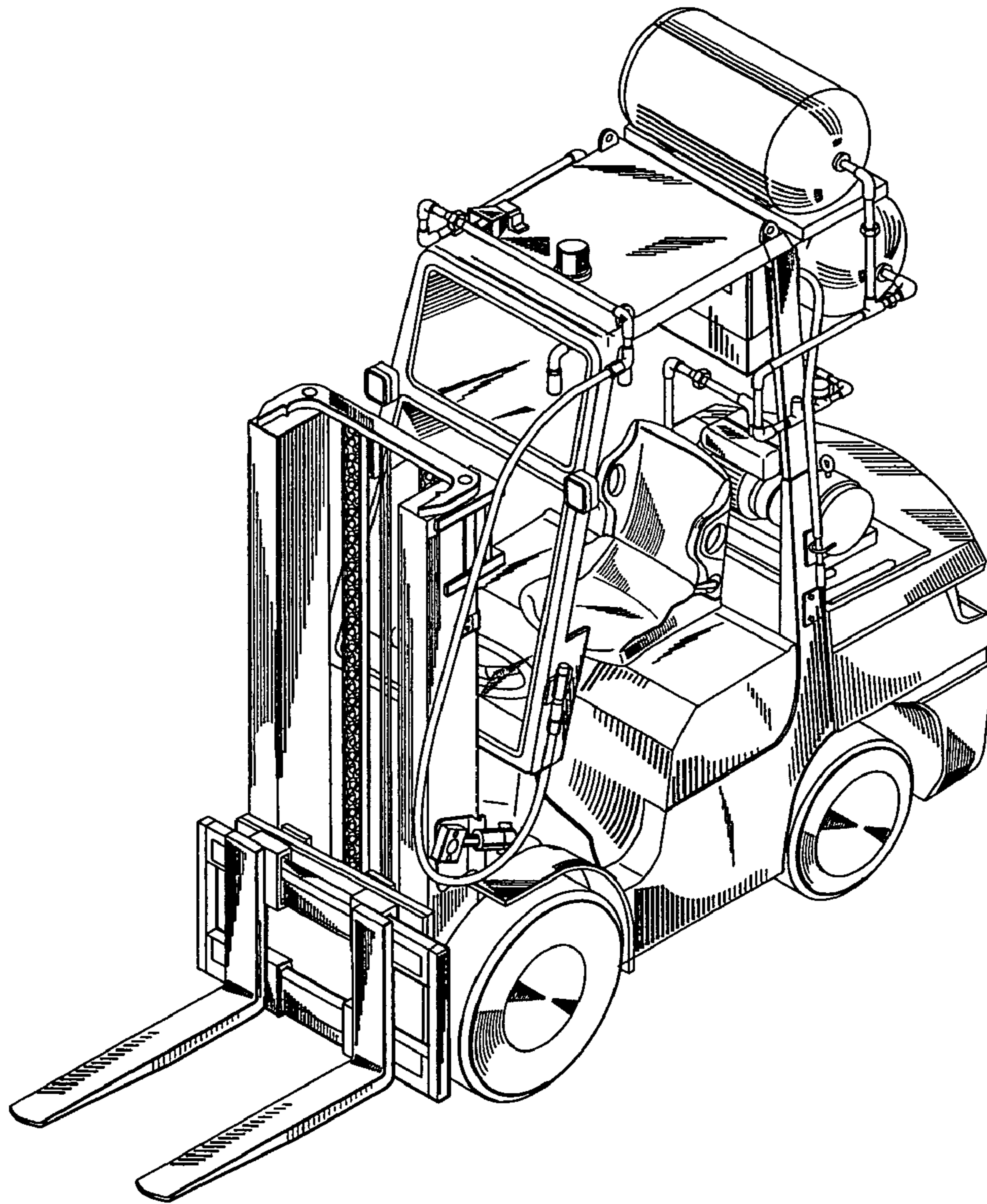


FIG.1

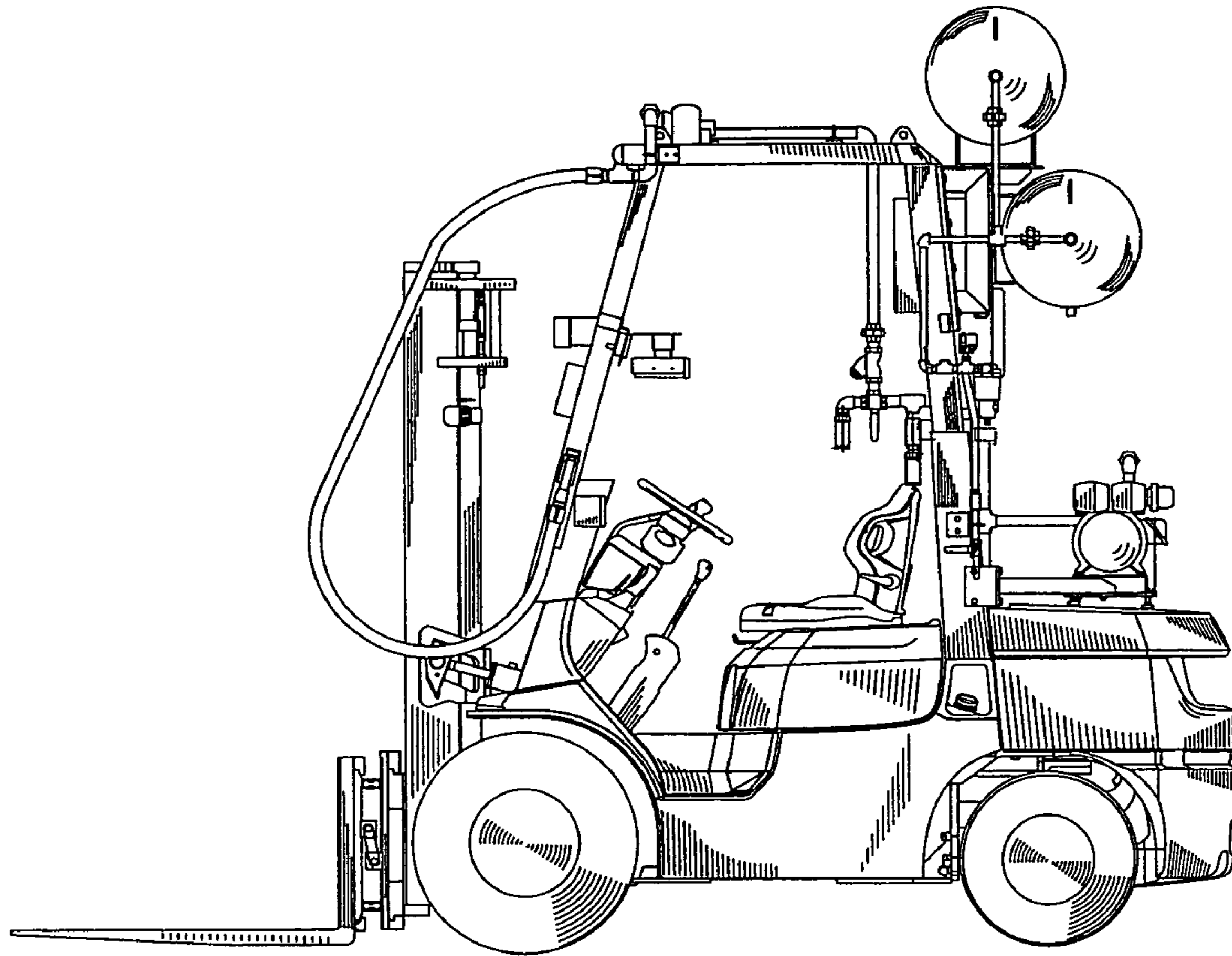


FIG.2

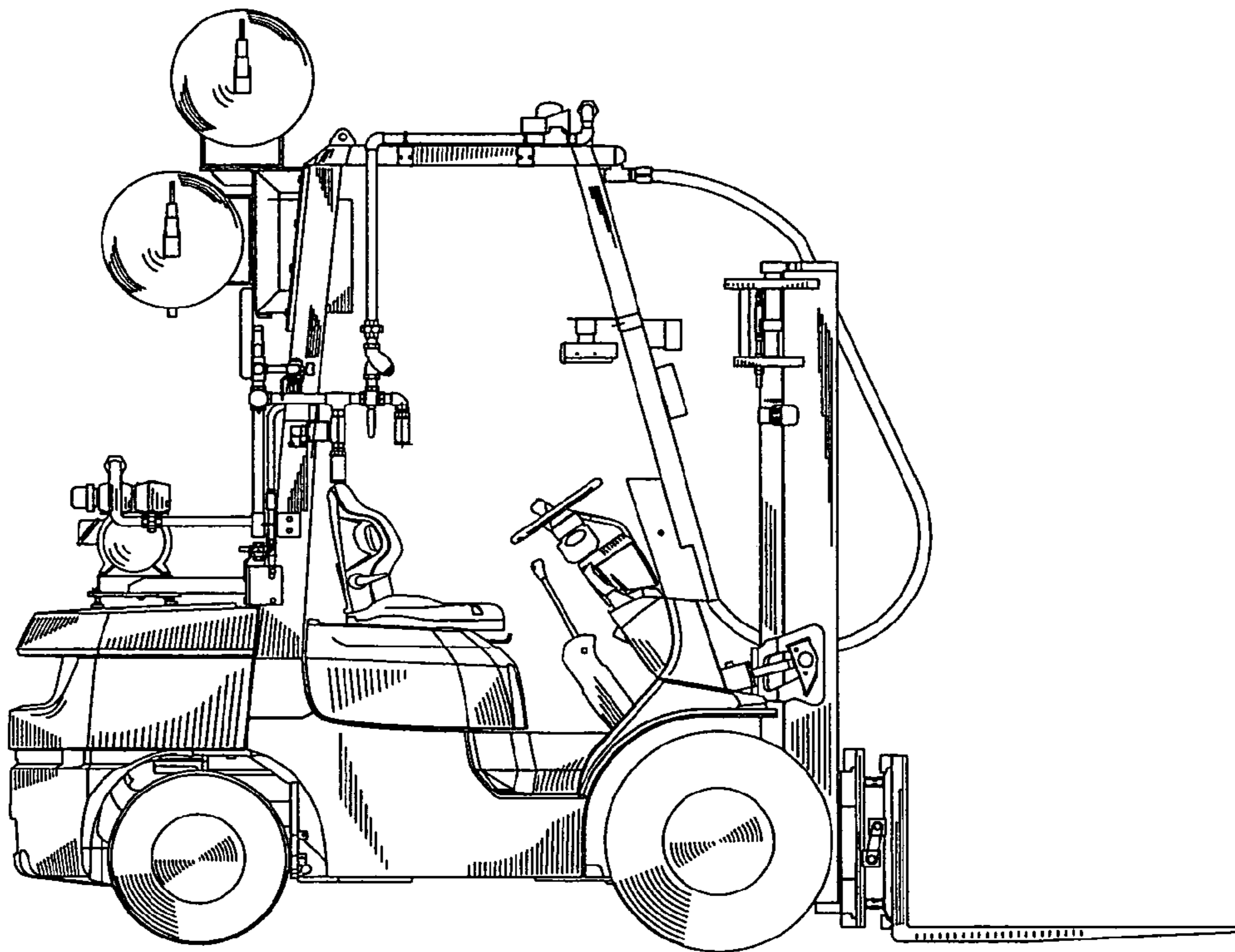


FIG.3

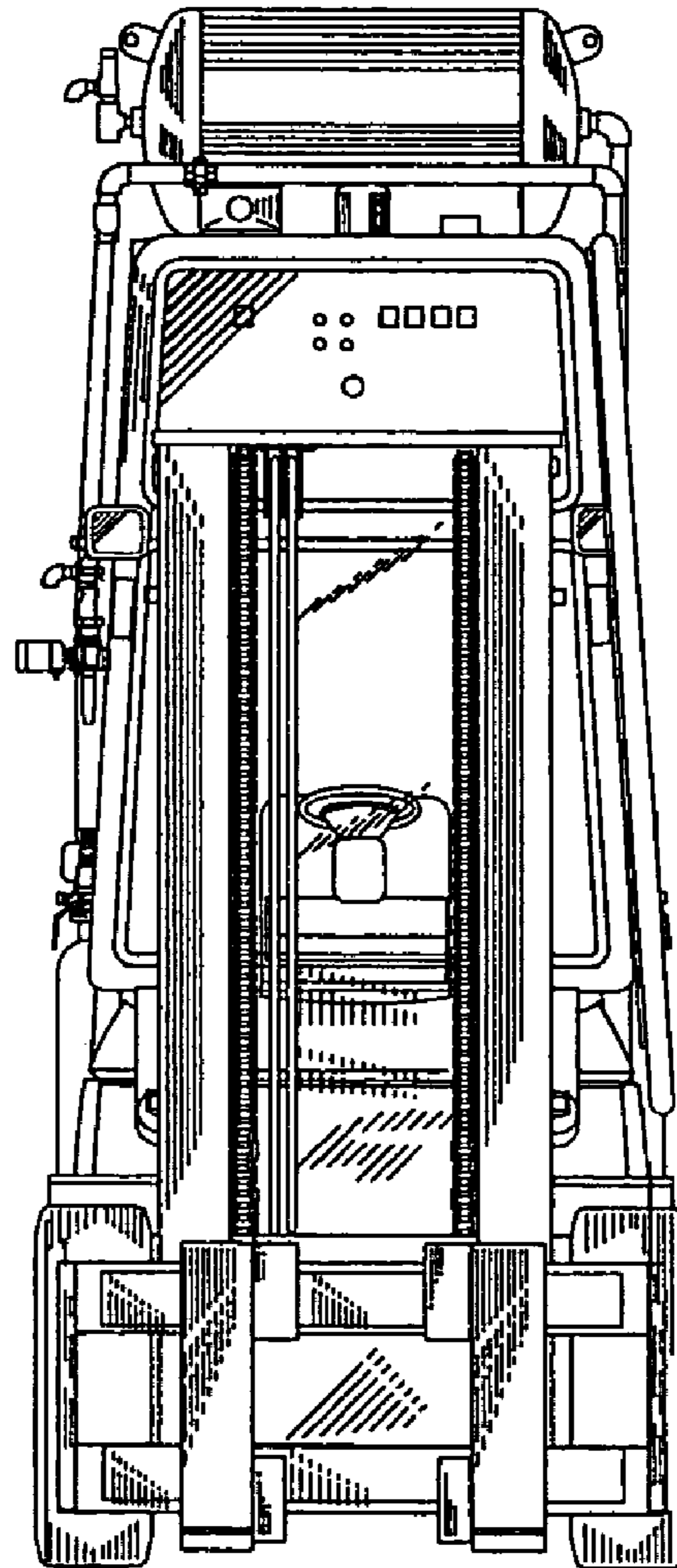


FIG.4

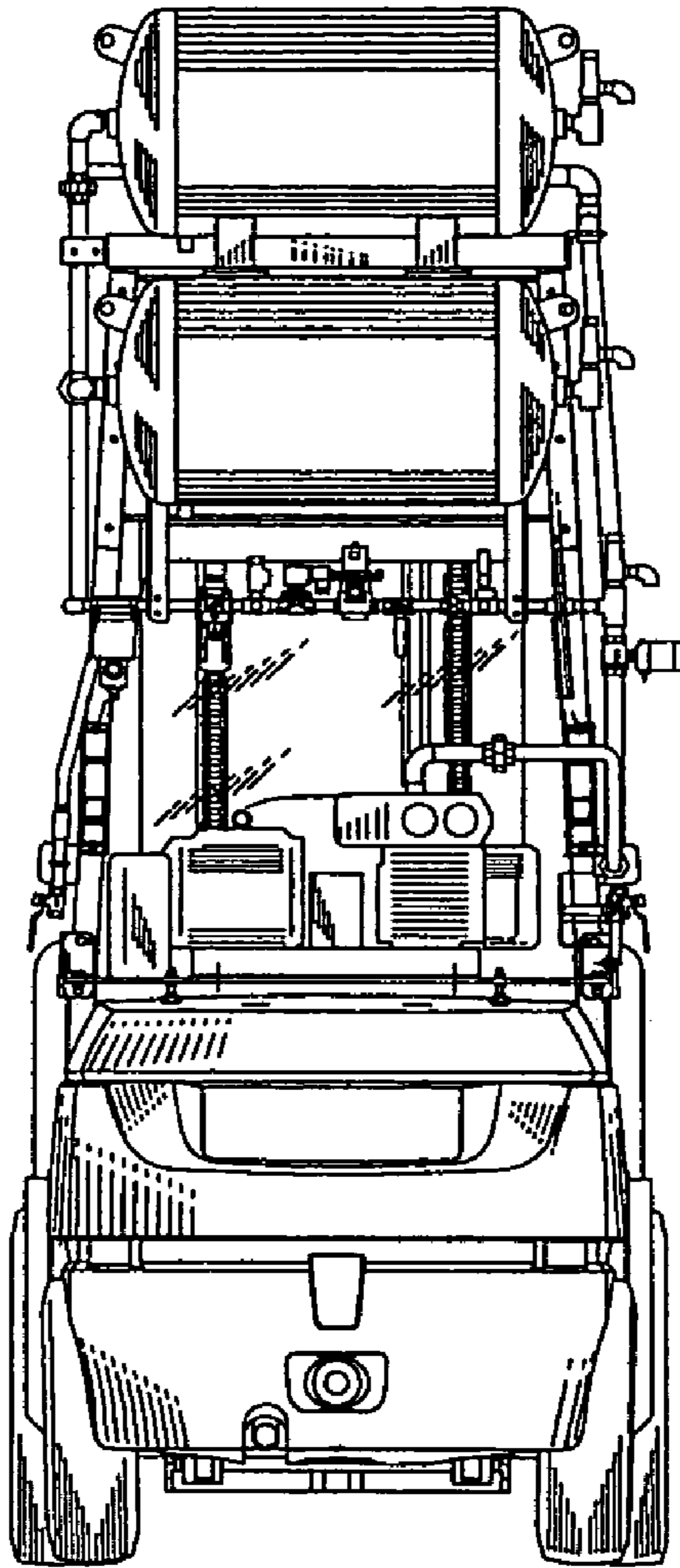


FIG.5

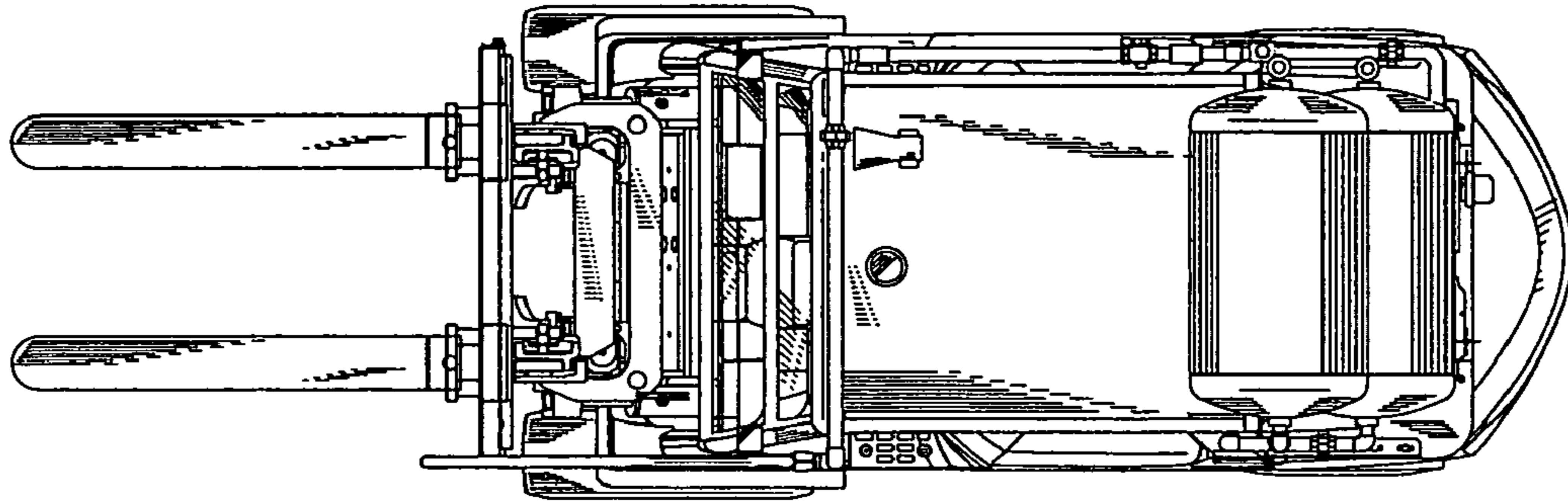


FIG.6

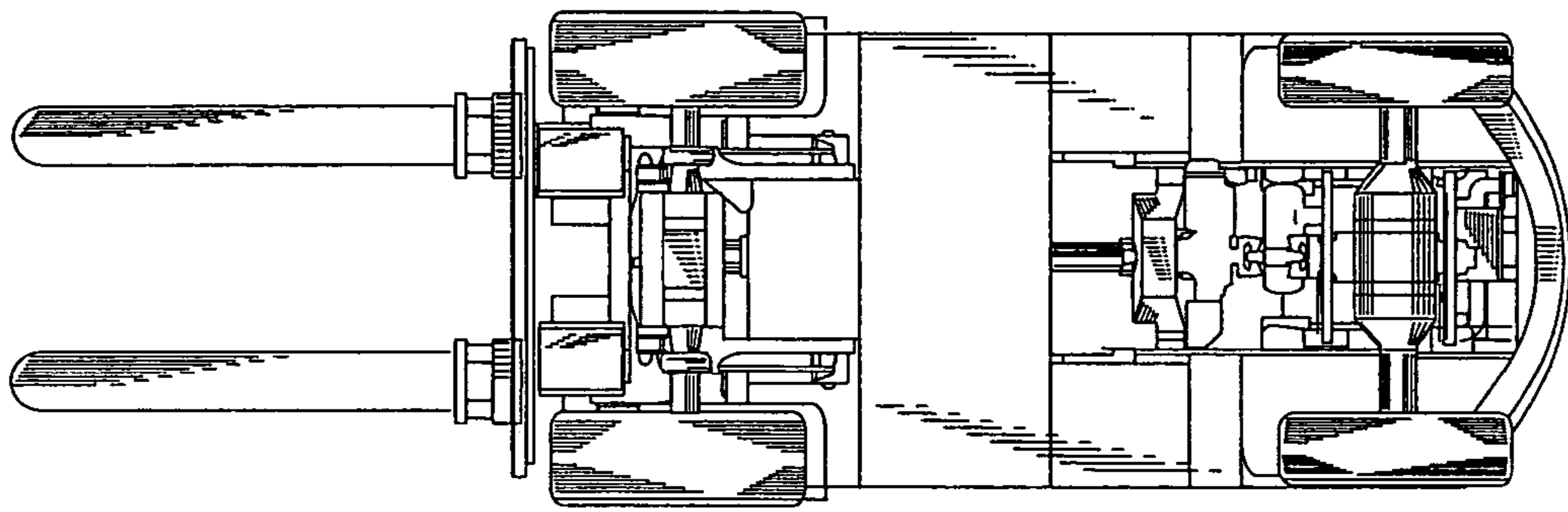


FIG.7