



US00D551421S

(12) **United States Design Patent**
Kodama et al.

(10) **Patent No.:** **US D551,421 S**

(45) **Date of Patent:** **** Sep. 18, 2007**

(54) **FORKLIFT TRUCK**

(75) Inventors: **Toru Kodama**, Aichi (JP); **Hitoshi Mizuno**, Toyota (JP); **Takeo Imanaka**, Toyota (JP)

(73) Assignee: **Hoei Shokai Co., Ltd.**, Aichi (JP)

(**) Term: **14 Years**

(21) Appl. No.: **29/260,816**

(22) Filed: **Jun. 2, 2006**

(30) **Foreign Application Priority Data**

Dec. 5, 2005 (JP) 2005-035865

(51) **LOC (8) Cl.** **12-05**

(52) **U.S. Cl.** **D34/34**

(58) **Field of Classification Search** D34/34;
187/222, 237, 238; 414/685

See application file for complete search history.

(56) **References Cited**

U.S. PATENT DOCUMENTS

- D396,928 S * 8/1998 Hahn et al. D34/34
- D412,385 S * 7/1999 Murakami et al. D34/34
- D427,409 S * 6/2000 Sato et al. D34/34
- D448,136 S * 9/2001 Yurushi et al. D34/34

- D470,990 S * 2/2003 Han et al. D34/34
- D471,340 S * 3/2003 Shibata et al. D34/34
- D492,832 S * 7/2004 Braud D34/34

FOREIGN PATENT DOCUMENTS

JP D1187842 S 10/2003

* cited by examiner

Primary Examiner—Cynthia E. Ramirez

(74) *Attorney, Agent, or Firm*—Rader, Fishman & Grauer PLLC

(57) **CLAIM**

The ornamental design for a forklift truck, as shown.

DESCRIPTION

FIG. 1 is a perspective view of a forklift truck showing our new design;

FIG. 2 is a right side elevational view thereof;

FIG. 3 is a left side elevational view thereof;

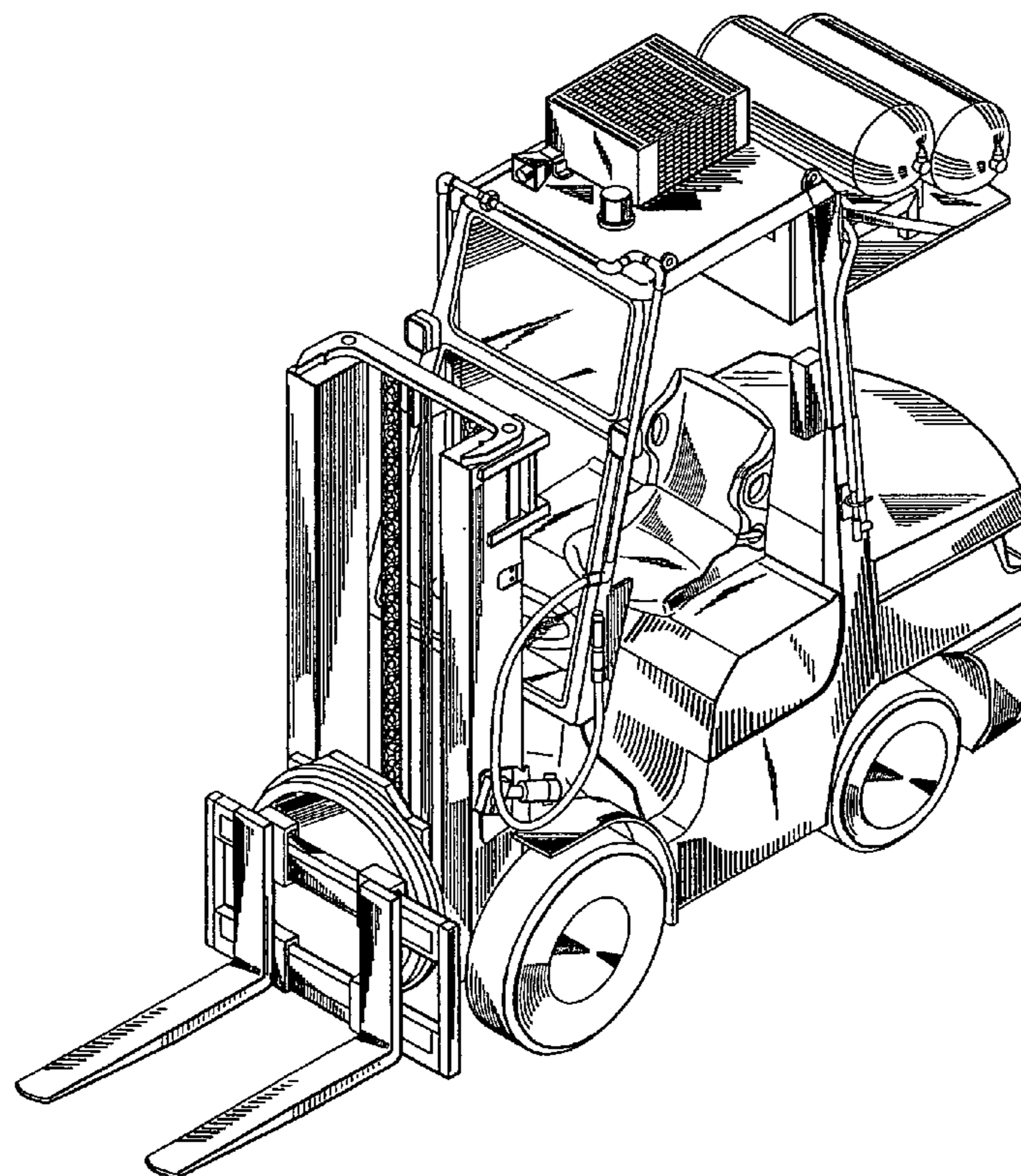
FIG. 4 is a front elevational view thereof;

FIG. 5 is a rear elevational view thereof;

FIG. 6 is a top plan view thereof; and,

FIG. 7 is a bottom plan view thereof.

1 Claim, 7 Drawing Sheets



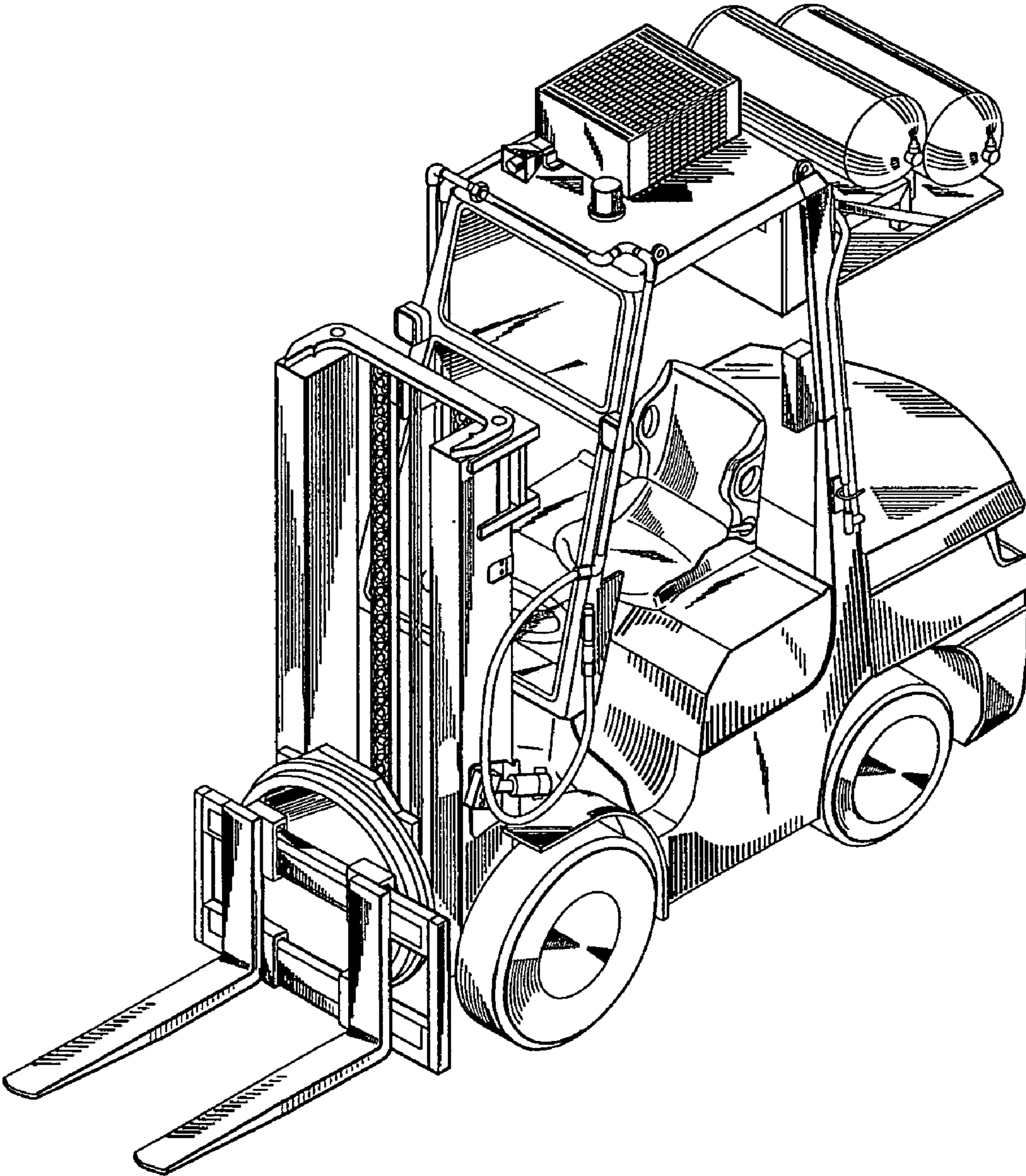


FIG.1

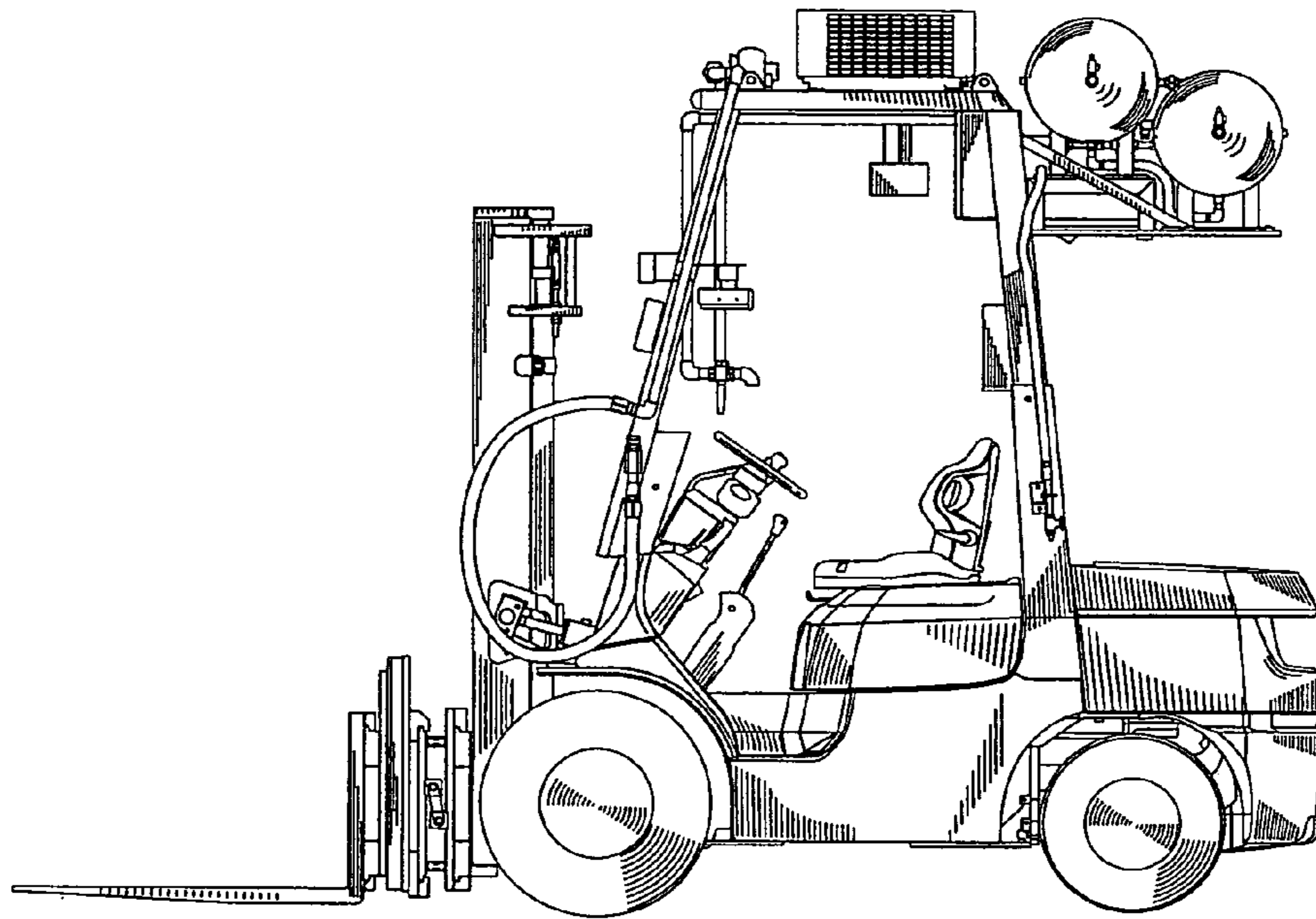


FIG.2

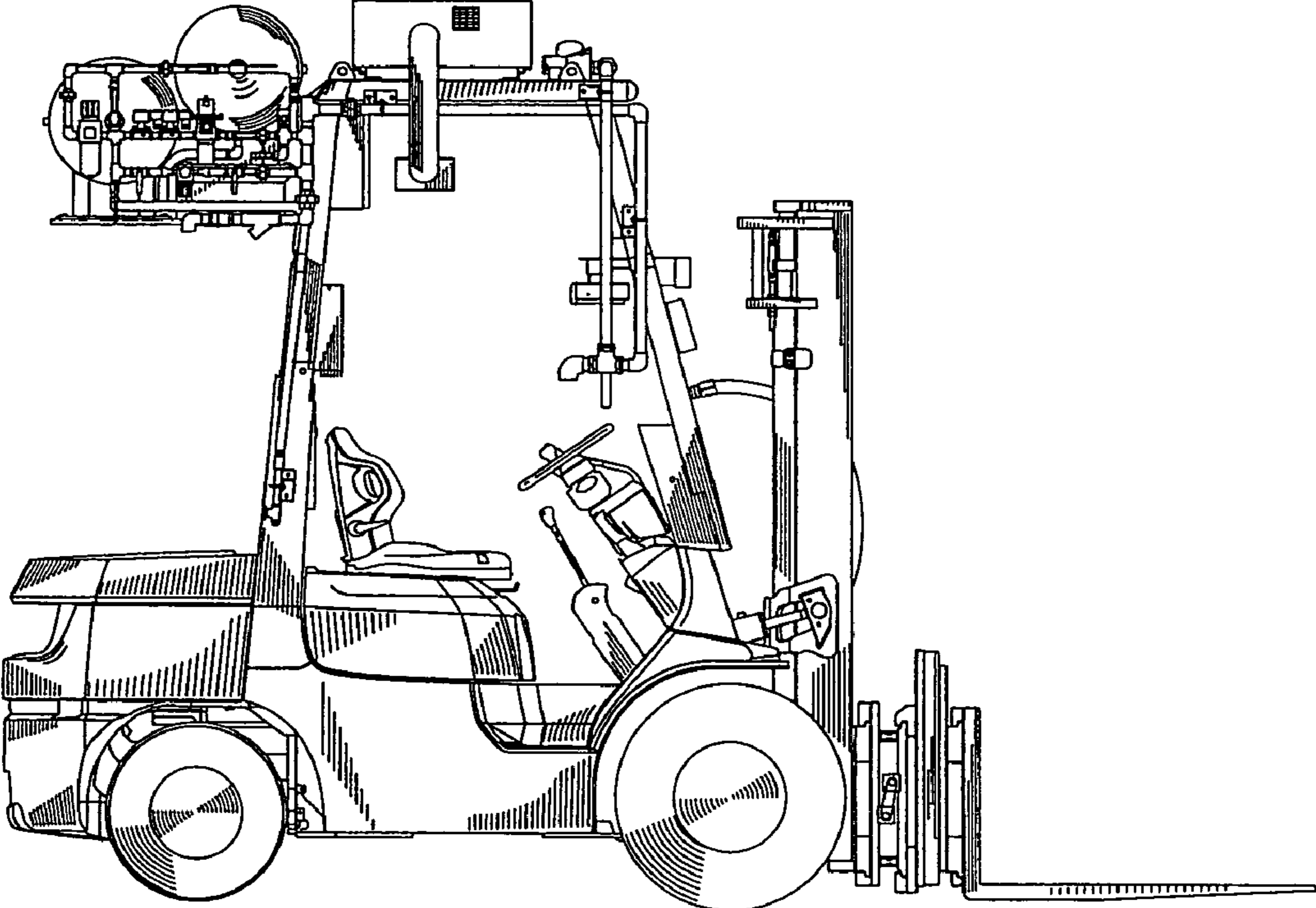


FIG.3

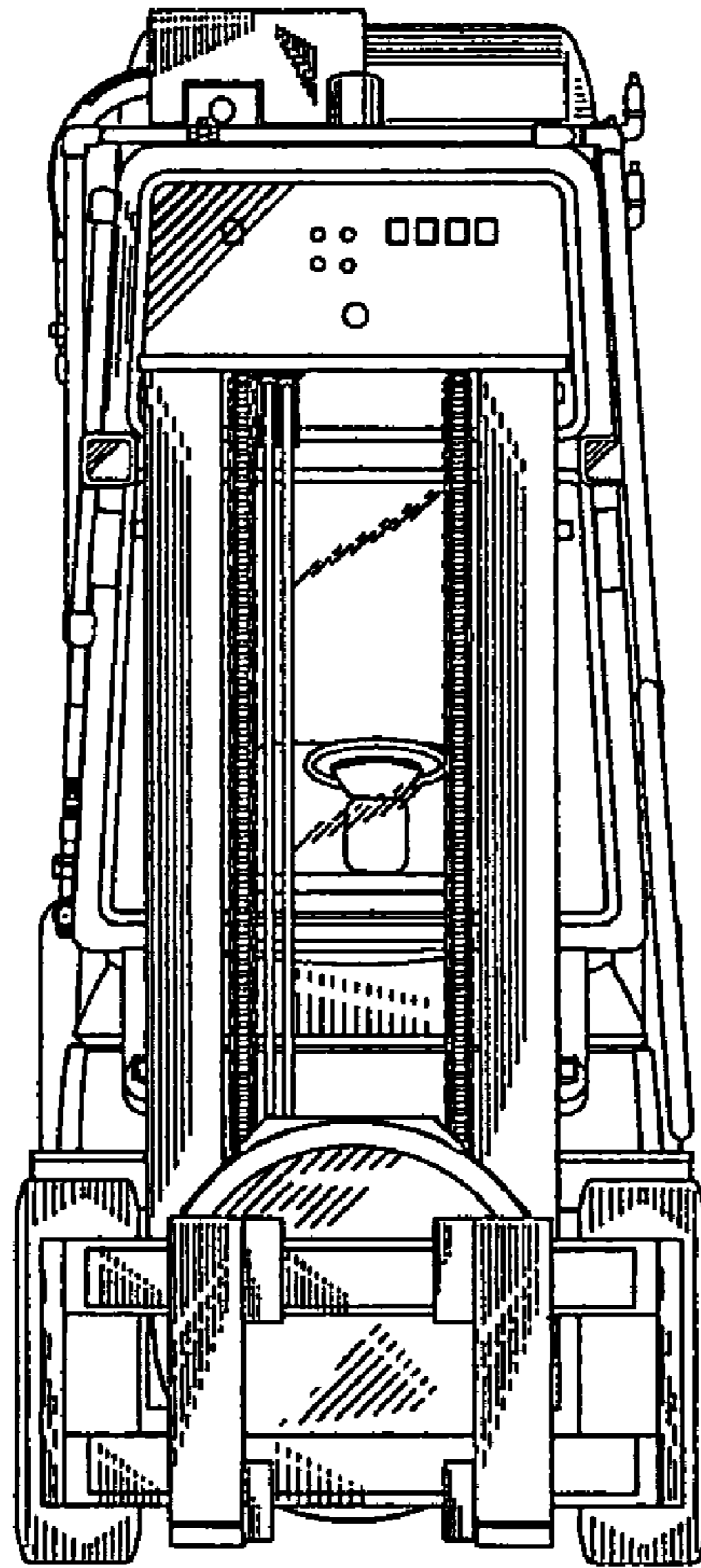


FIG.4

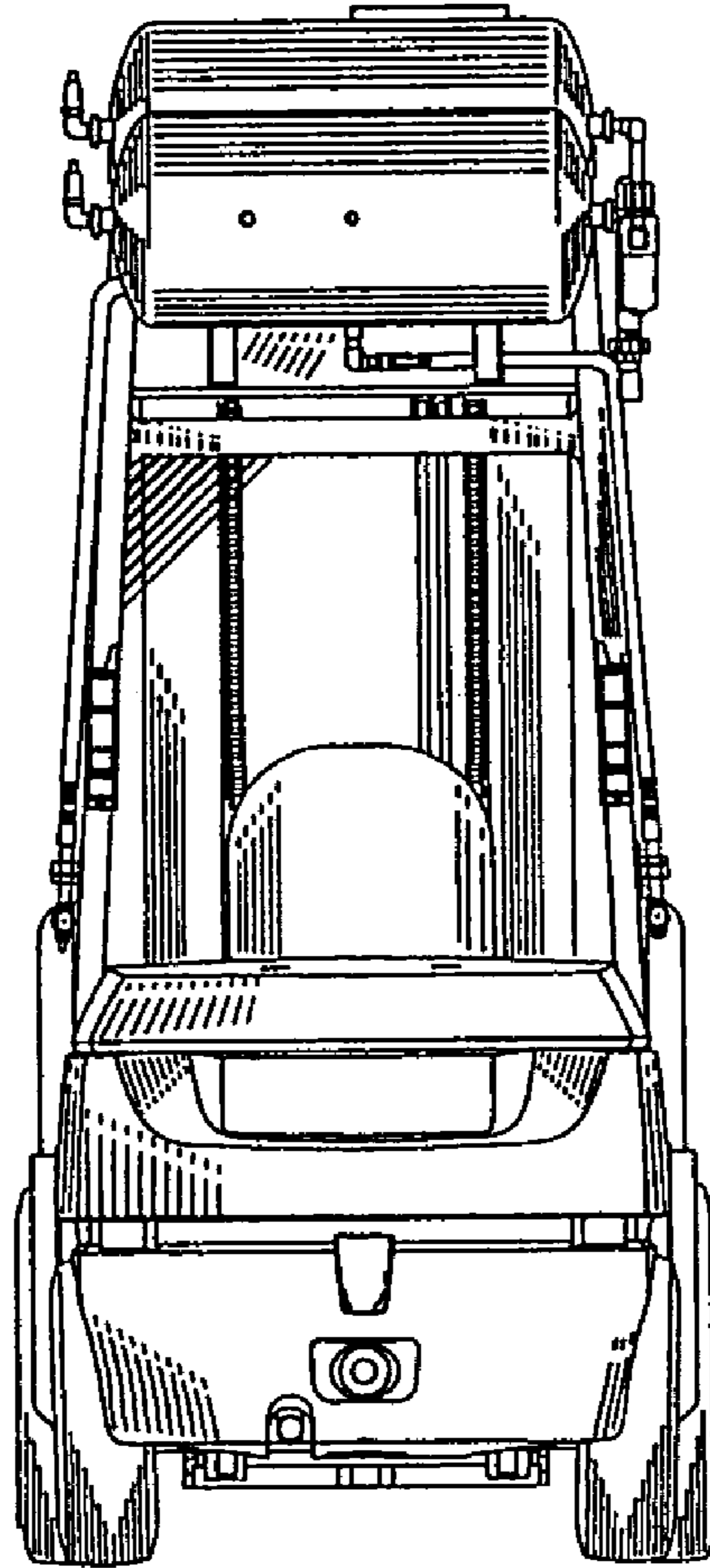


FIG.5

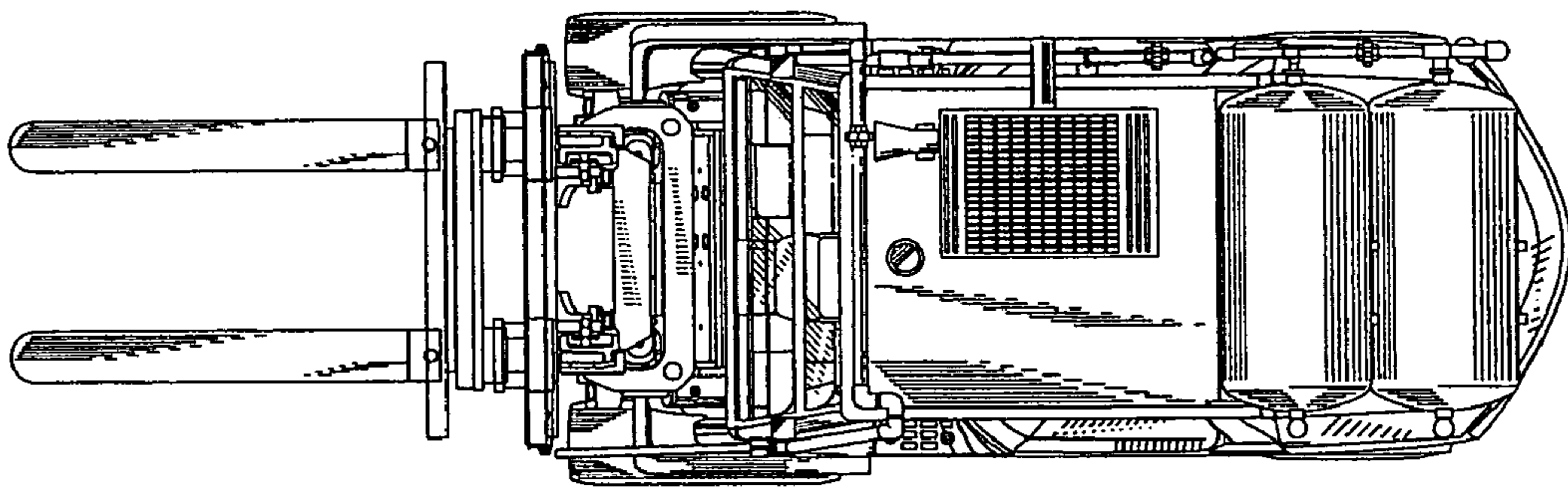


FIG.6

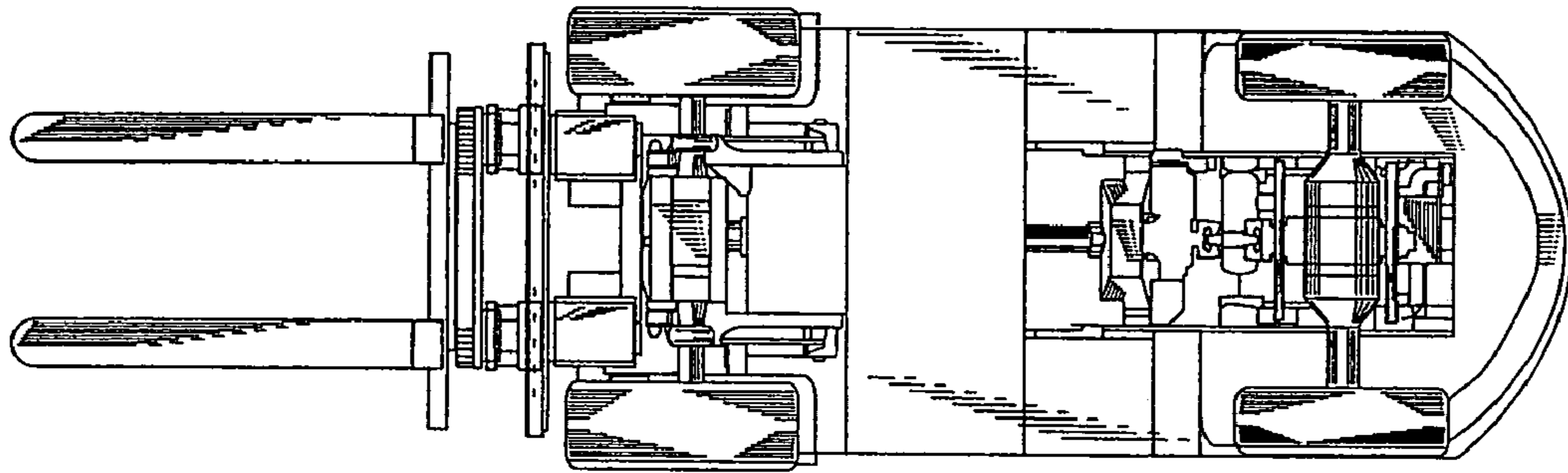


FIG.7