



US00D551420S

(12) **United States Design Patent** (10) **Patent No.:** **US D551,420 S**  
**Ezra** (45) **Date of Patent:** **\*\* Sep. 18, 2007**

(54) **MOBILITY SCOOTER RAMP**

(76) Inventor: **Brandon Joshua Ezra**, 9341 S. State Road 39, Winamac, IN (US) 46996

(\*\*) Term: **14 Years**

(21) Appl. No.: **29/273,942**

(22) Filed: **Mar. 19, 2007**

(51) **LOC (8) Cl.** ..... **12-05**

(52) **U.S. Cl.** ..... **D34/32; D12/406**

(58) **Field of Classification Search** ..... D34/28, D34/33, 32; D12/406; 414/462, 537; 280/166; 254/88

See application file for complete search history.

(56) **References Cited**

**U.S. PATENT DOCUMENTS**

4,741,660	A	5/1988	Kent	
4,795,304	A *	1/1989	Dudley	414/537
D313,102	S	12/1990	Cano	
5,096,362	A	3/1992	Best	
D338,760	S	8/1993	Harrah	
D354,603	S	1/1995	Bullard	
D357,789	S	4/1995	Port	
5,649,732	A	7/1997	Jordan	
5,738,362	A	4/1998	Ludwick	
5,816,763	A *	10/1998	Hamann et al.	414/462
D410,314	S *	5/1999	Brown	D34/32
6,076,215	A	6/2000	Blackenship	
6,203,265	B1 *	3/2001	Cohn et al.	414/537

6,238,168	B1 *	5/2001	Cohn et al.	414/537
6,250,874	B1	6/2001	Cross	
6,343,908	B1 *	2/2002	Oudsten et al.	414/537
6,698,998	B2 *	3/2004	Koretsky	414/537
D505,238	S *	5/2005	Robertson	D34/32
6,887,027	B2 *	5/2005	O'Leary et al.	414/462
6,966,740	B2 *	11/2005	Mast et al.	414/537
7,043,789	B2 *	5/2006	Morrish	14/69.5
D523,389	S *	6/2006	Ezra	D12/406
D528,064	S *	9/2006	Ezra	D12/408

\* cited by examiner

*Primary Examiner*—Cynthia E. Ramirez

(57) **CLAIM**

The ornamental design for a mobility scooter ramp, as shown and described.

**DESCRIPTION**

FIG. 1 is a front perspective view of a mobility scooter ramp showing my new design;

FIG. 2 is a rear perspective view thereof;

FIG. 3 is a front elevation view thereof;

FIG. 4 is a rear elevation view thereof;

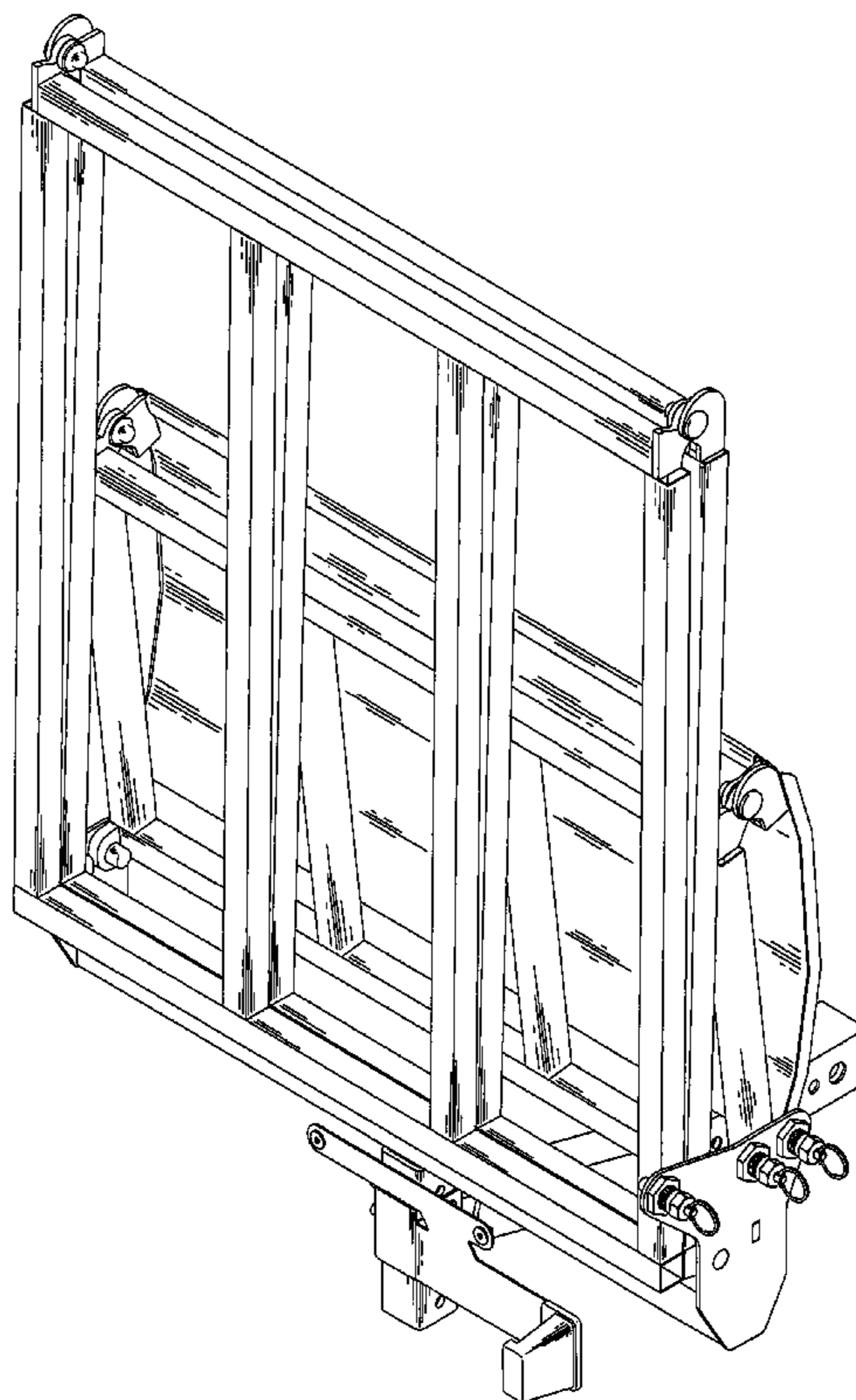
FIG. 5 is a top plan view thereof;

FIG. 6 is a bottom plan view thereof;

FIG. 7 is a left side elevation view thereof; and,

FIG. 8 is a right side elevation view thereof.

**1 Claim, 8 Drawing Sheets**



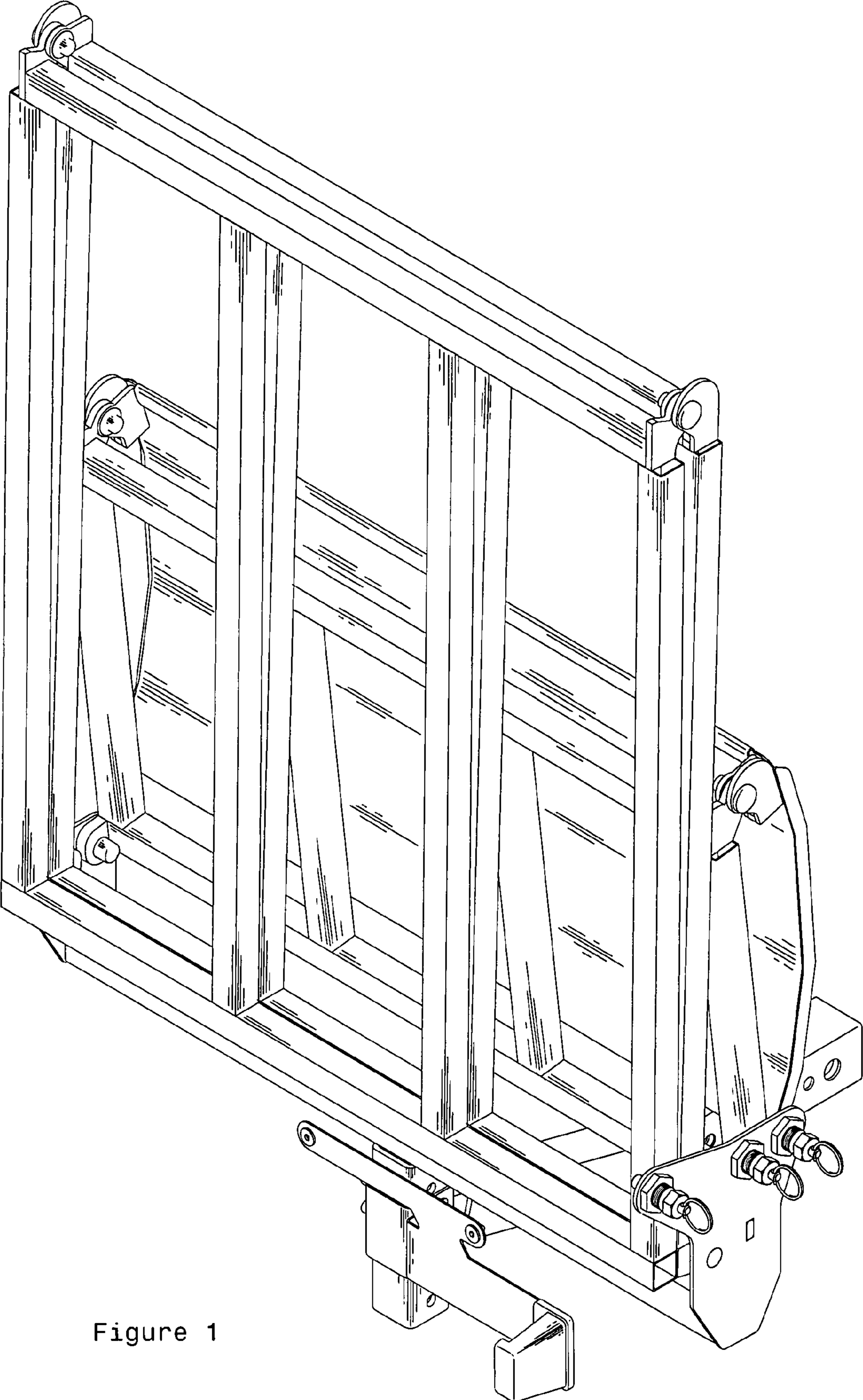


Figure 1

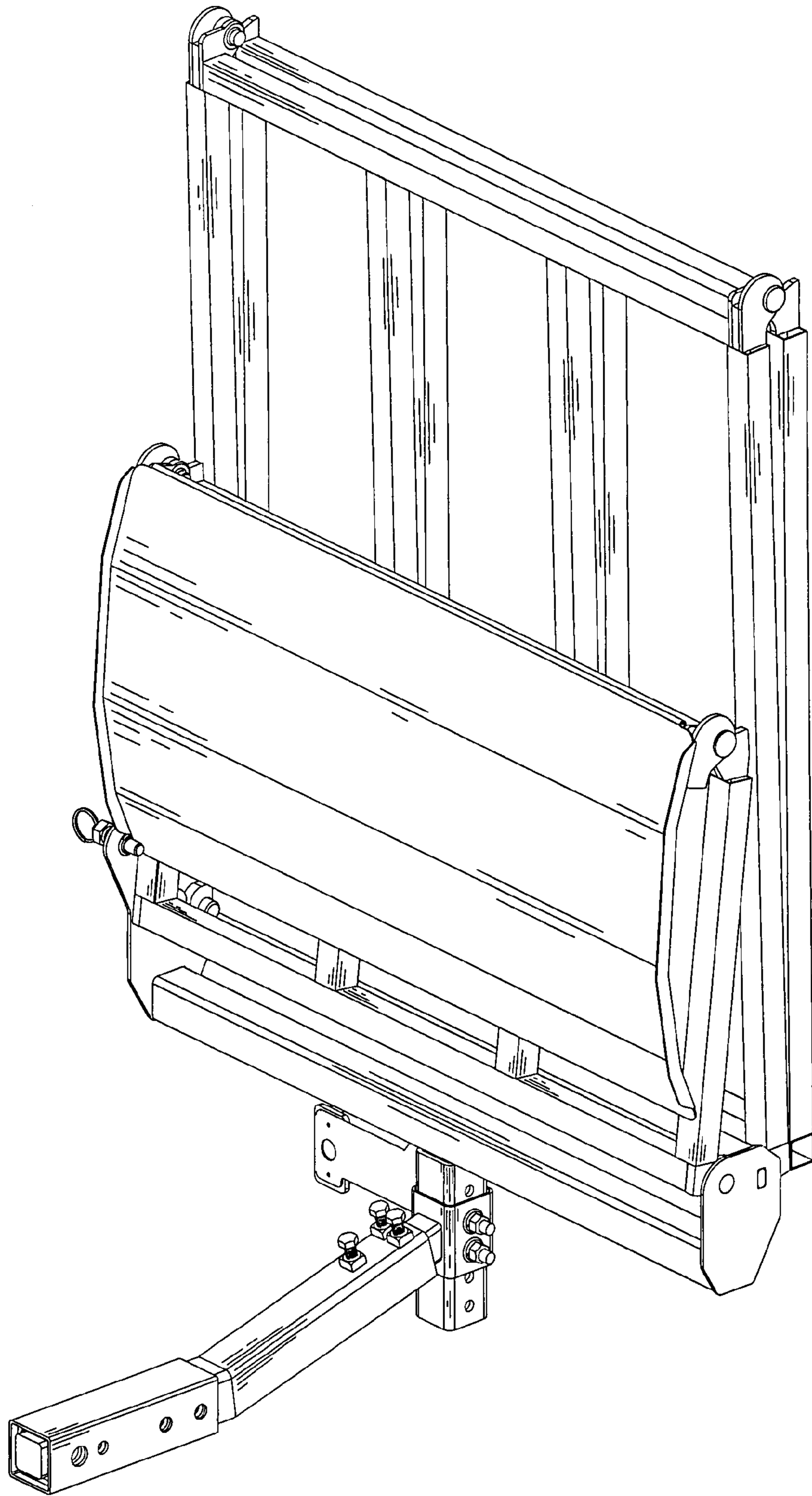


Figure 2

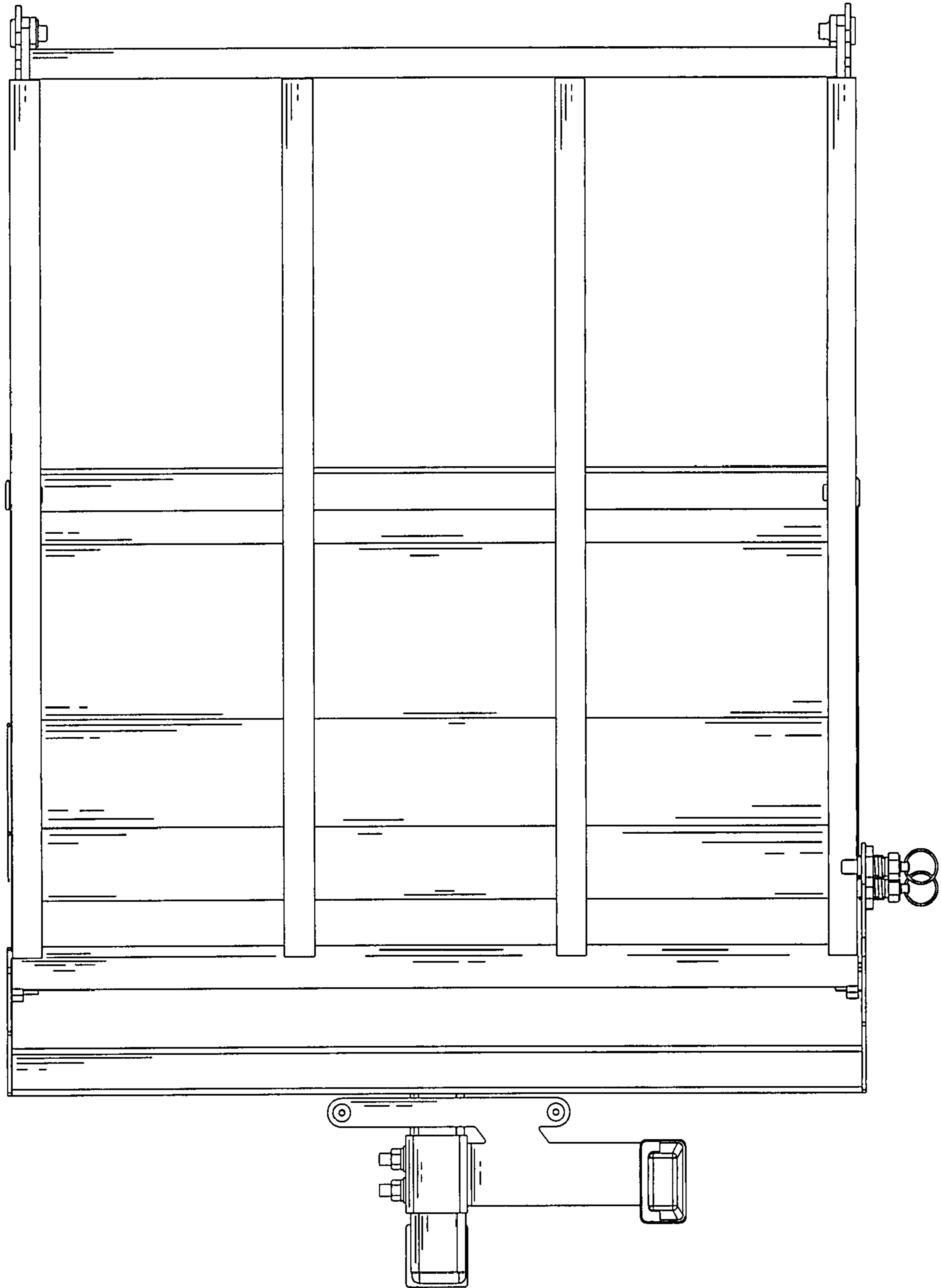


Figure 3

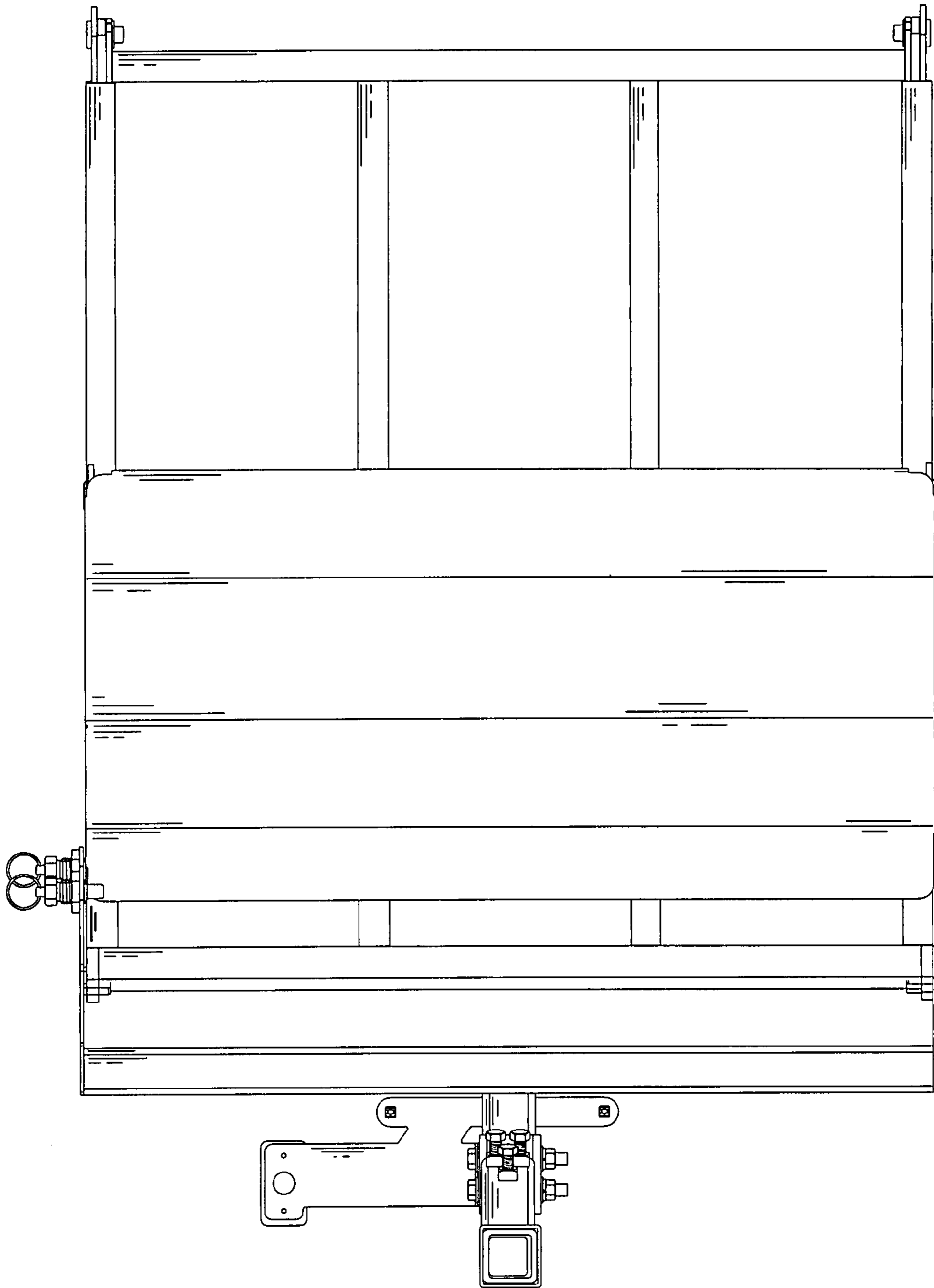


Figure 4

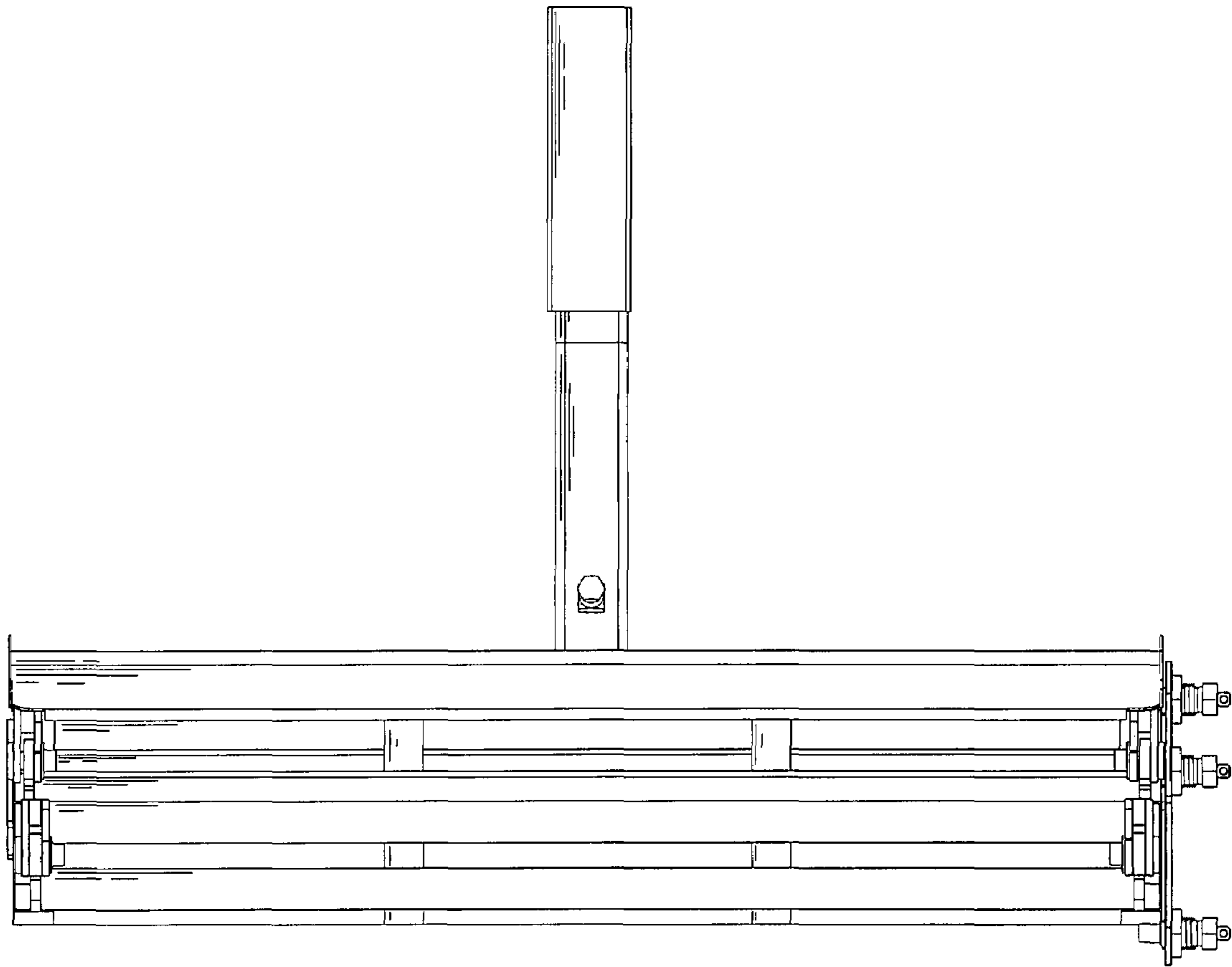


Figure 5

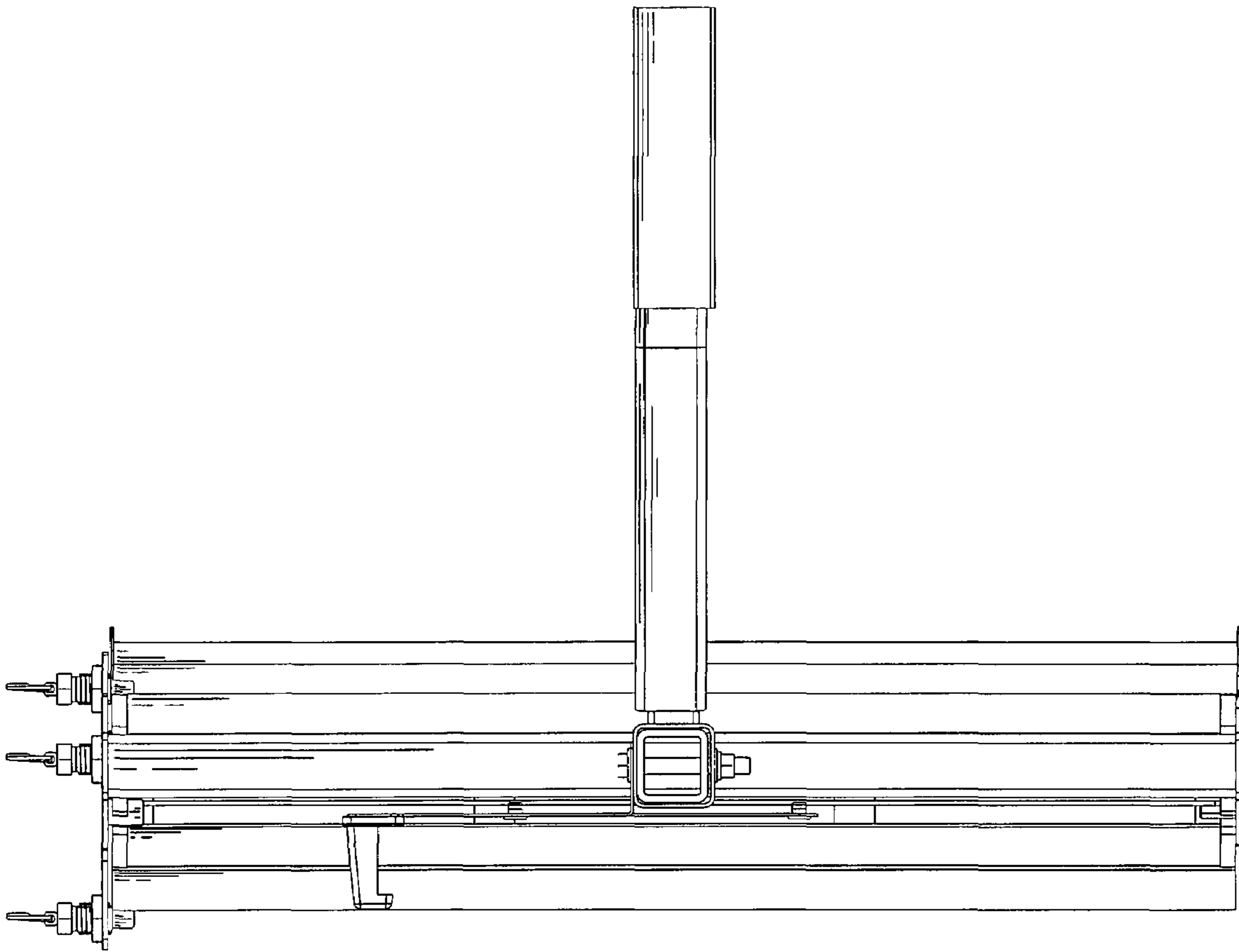


Figure 6

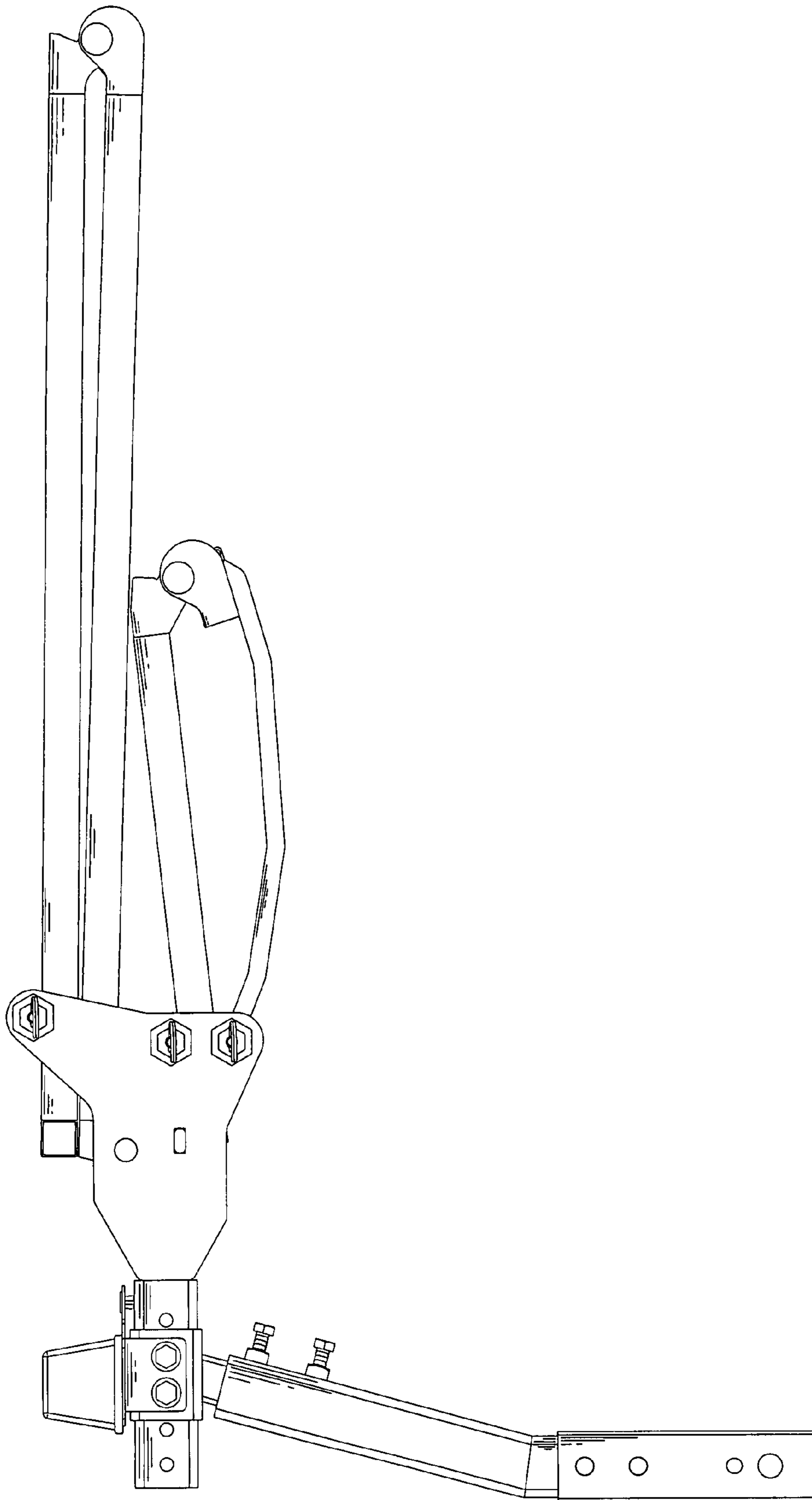


Figure 7



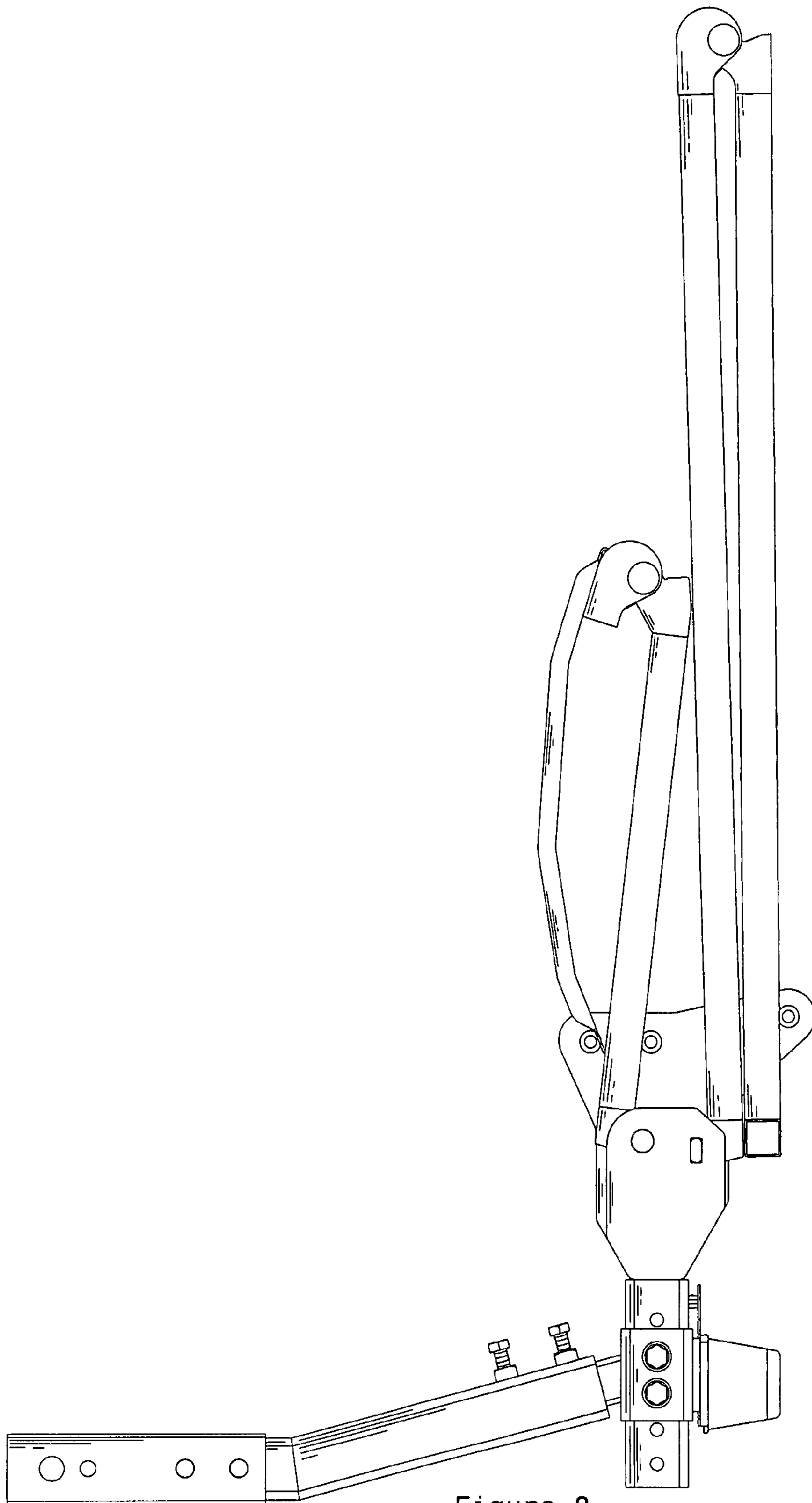


Figure 8