



US00D551416S

(12) **United States Design Patent**
Hanaoka

(10) **Patent No.:** **US D551,416 S**

(45) **Date of Patent:** **** Sep. 18, 2007**

(54) **HAND LIFT TRUCK**

(75) Inventor: **Toru Hanaoka**, Tokyo (JP)

(73) Assignee: **Hanaoka Sharyo Kabushiki Kaisha**,
Tokyo (JP)

(**) Term: **14 Years**

(21) Appl. No.: **29/241,928**

(22) Filed: **Nov. 3, 2005**

(51) **LOC (8) Cl.** **12-02**

(52) **U.S. Cl.** **D34/17**

(58) **Field of Classification Search** D34/12-27,
D34/28; 104/170; 280/47.34, 47.36, 33.998,
280/655.1, 79.11

See application file for complete search history.

(56) **References Cited**

U.S. PATENT DOCUMENTS

2,319,581	A *	5/1943	Brownlee et al.	280/43.14
2,414,277	A *	1/1947	Garbarino et al.	280/47.34
2,696,928	A *	12/1954	Faircloth et al.	414/469
3,830,164	A *	8/1974	Biessener	104/170
4,458,906	A *	7/1984	Lamson	280/47.34
5,114,118	A *	5/1992	Schrader	254/8 R
D338,759	S *	8/1993	Ocuin	D34/23
D340,335	S *	10/1993	Kean et al.	D34/17
5,299,816	A *	4/1994	Vom Braucke et al. .	280/33.998
D363,588	S *	10/1995	Bancroft et al.	D34/17
D396,918	S *	8/1998	Golichowski et al.	D34/12

D404,871	S *	1/1999	Golichowski et al.	D34/17
D410,577	S *	6/1999	Ciphers, Sr.	D34/17
D415,600	S *	10/1999	Hsieh et al.	D34/23
D457,999	S *	5/2002	Oshima et al.	D34/28
D468,884	S *	1/2003	Ito	D34/28
6,742,790	B2 *	6/2004	Seagraves et al.	280/47.34

* cited by examiner

Primary Examiner—Freda S. Nunn

Assistant Examiner—Kevin K. Rudzinski

(74) *Attorney, Agent, or Firm*—Westerman, Hattori, Daniels
& Adrian, LLP.

(57) **CLAIM**

The ornamental design for a hand lift truck, as shown and described.

DESCRIPTION

FIG. 1 is a front elevation view of a hand lift truck showing my new design;

FIG. 2 is a rear elevation view thereof;

FIG. 3 is a top plan view thereof;

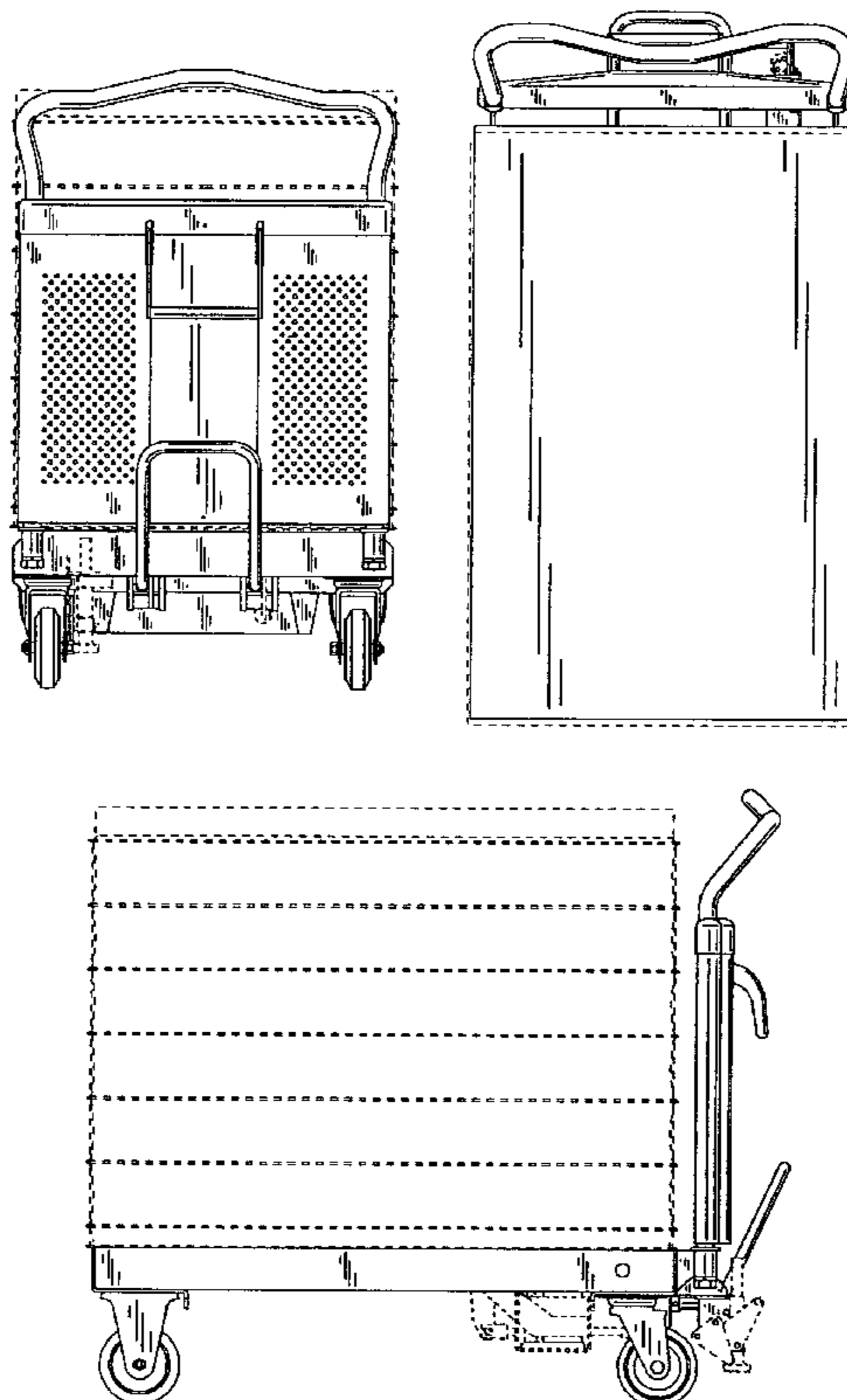
FIG. 4 is a right side elevation view thereof;

FIG. 5 is a left side elevation view thereof; and,

FIG. 6 is a right side view thereof showing the platform in a lowered state.

The broken lines are shown for illustrative purposes only and form no part of the claimed design.

1 Claim, 4 Drawing Sheets



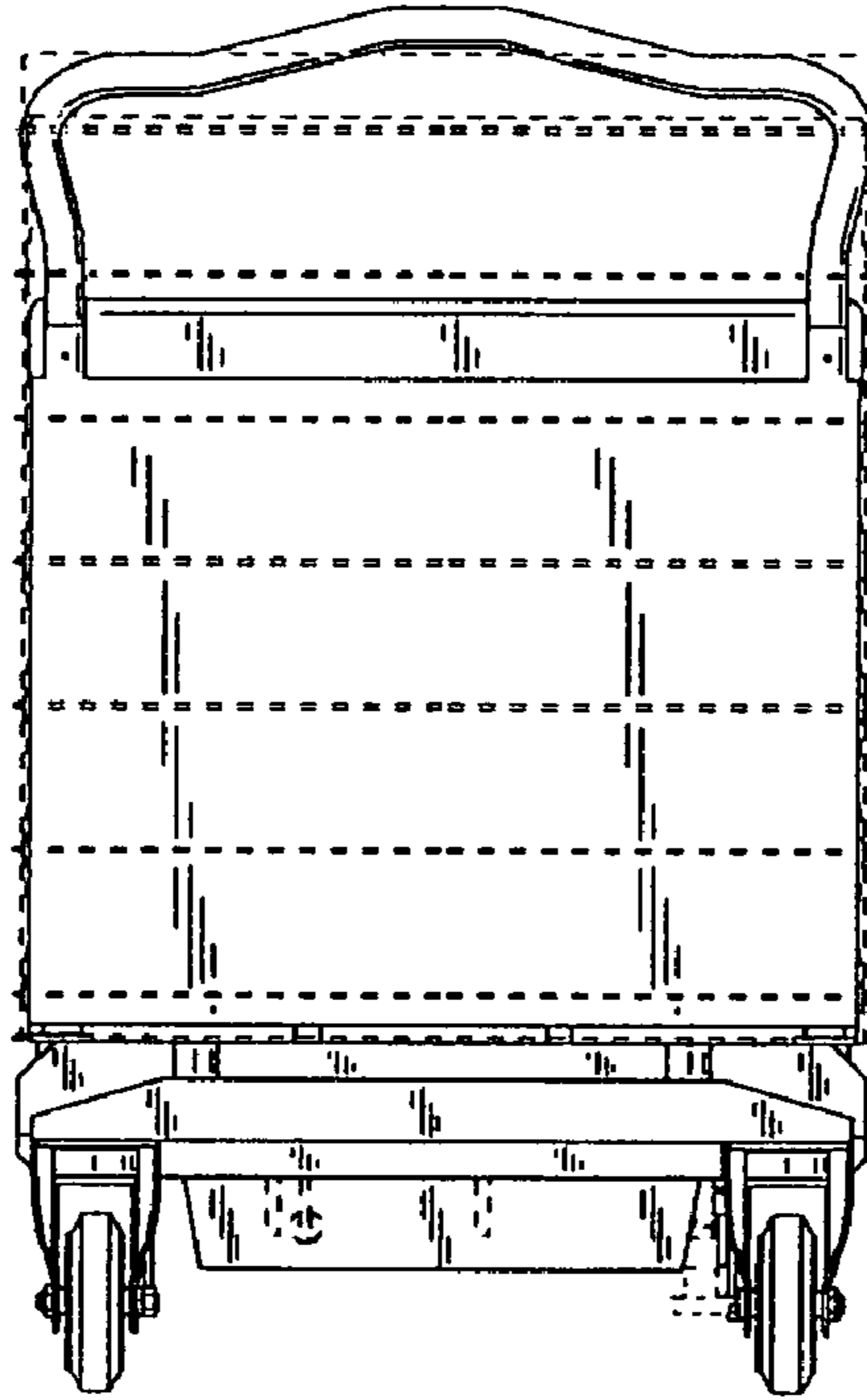


Fig.1

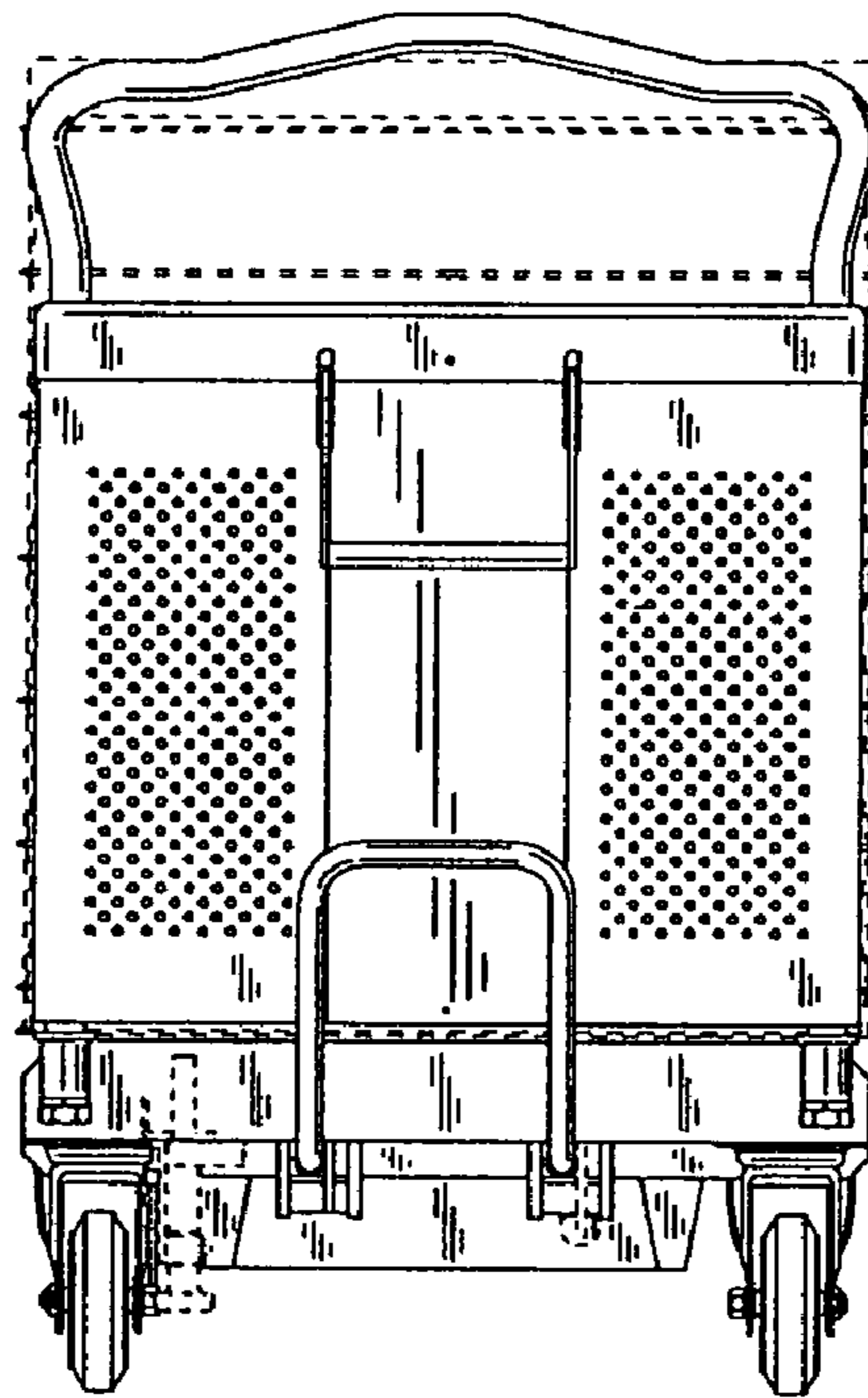


Fig.2

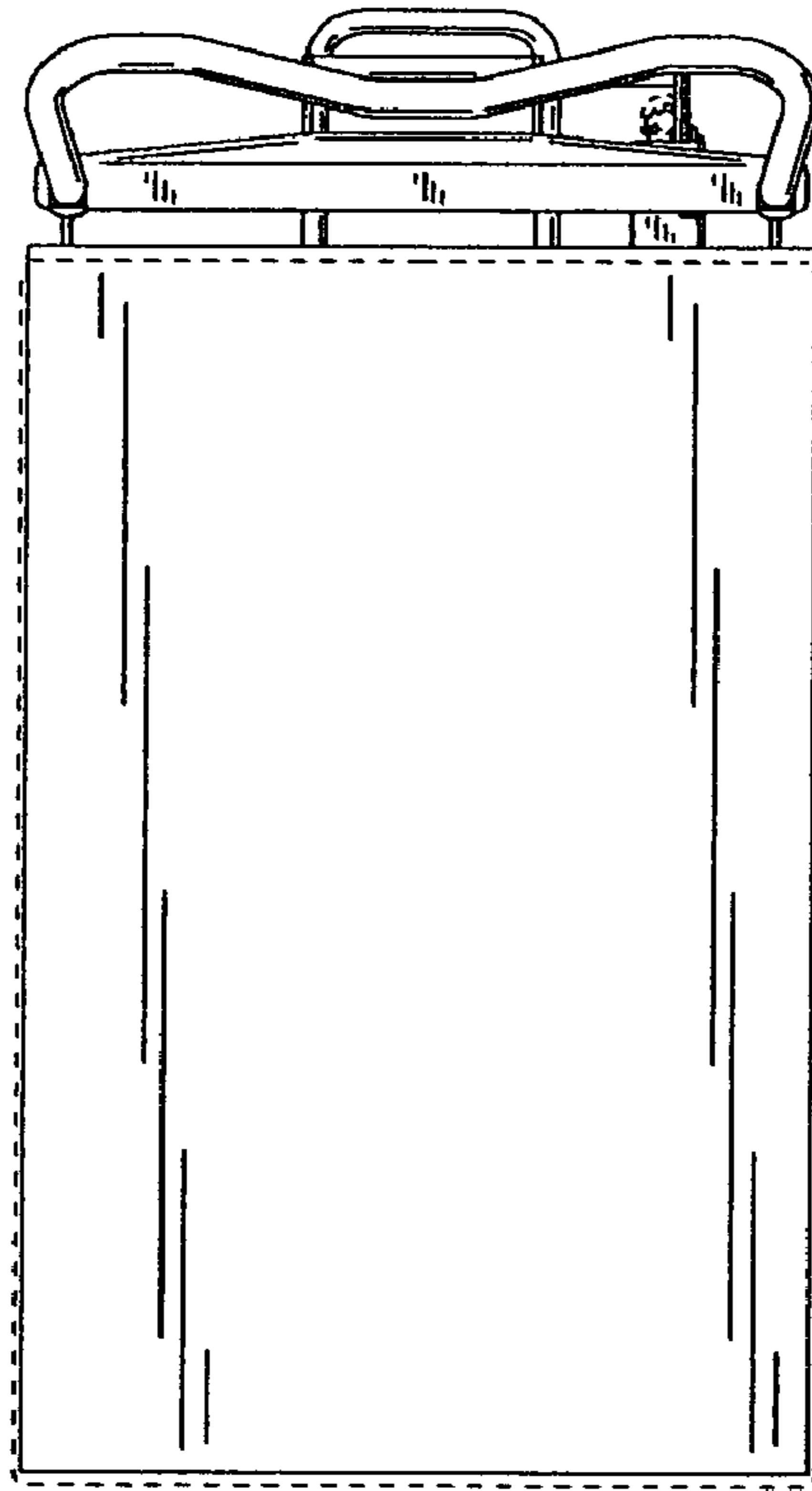


Fig.3

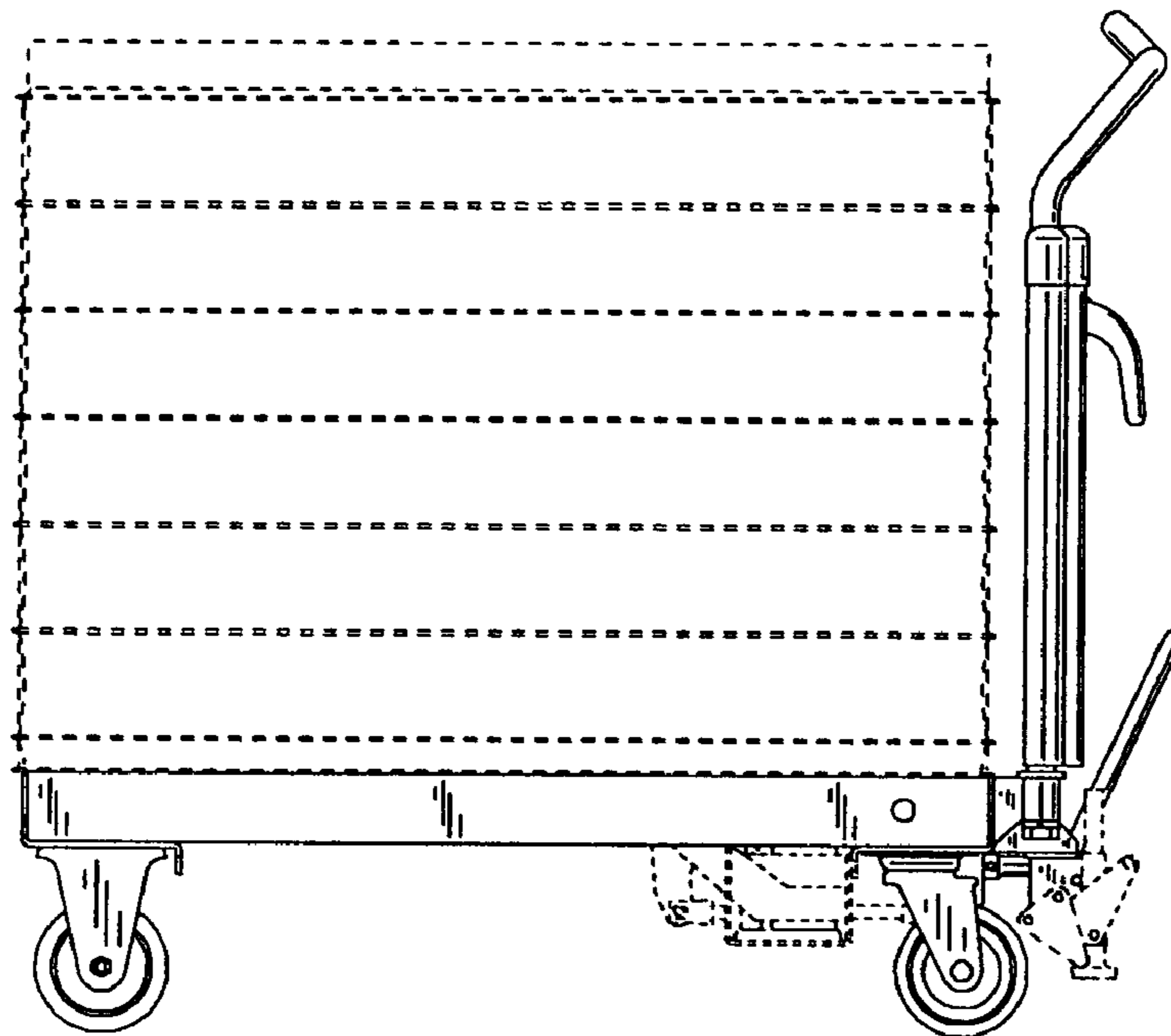


Fig.4

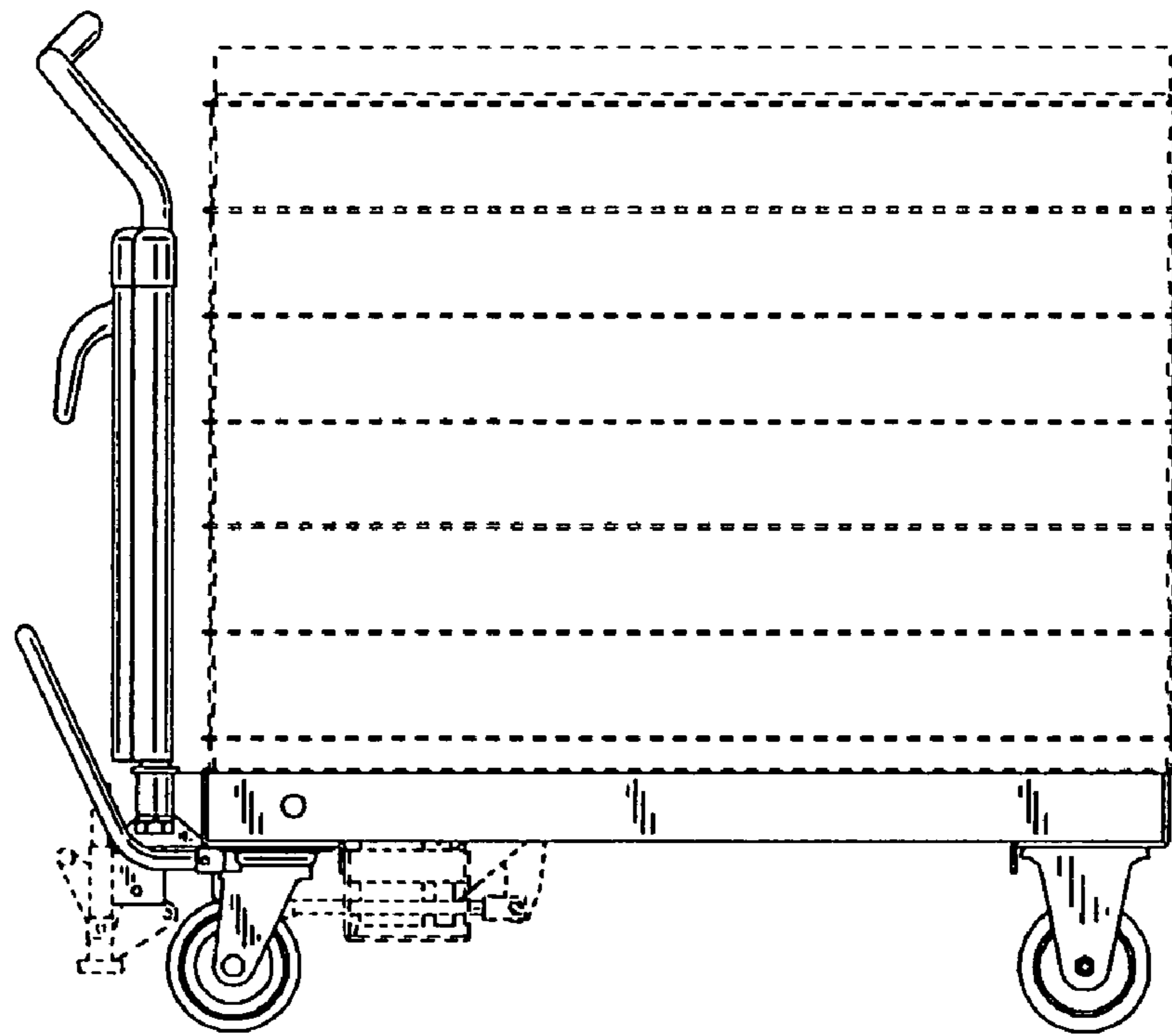


Fig.5

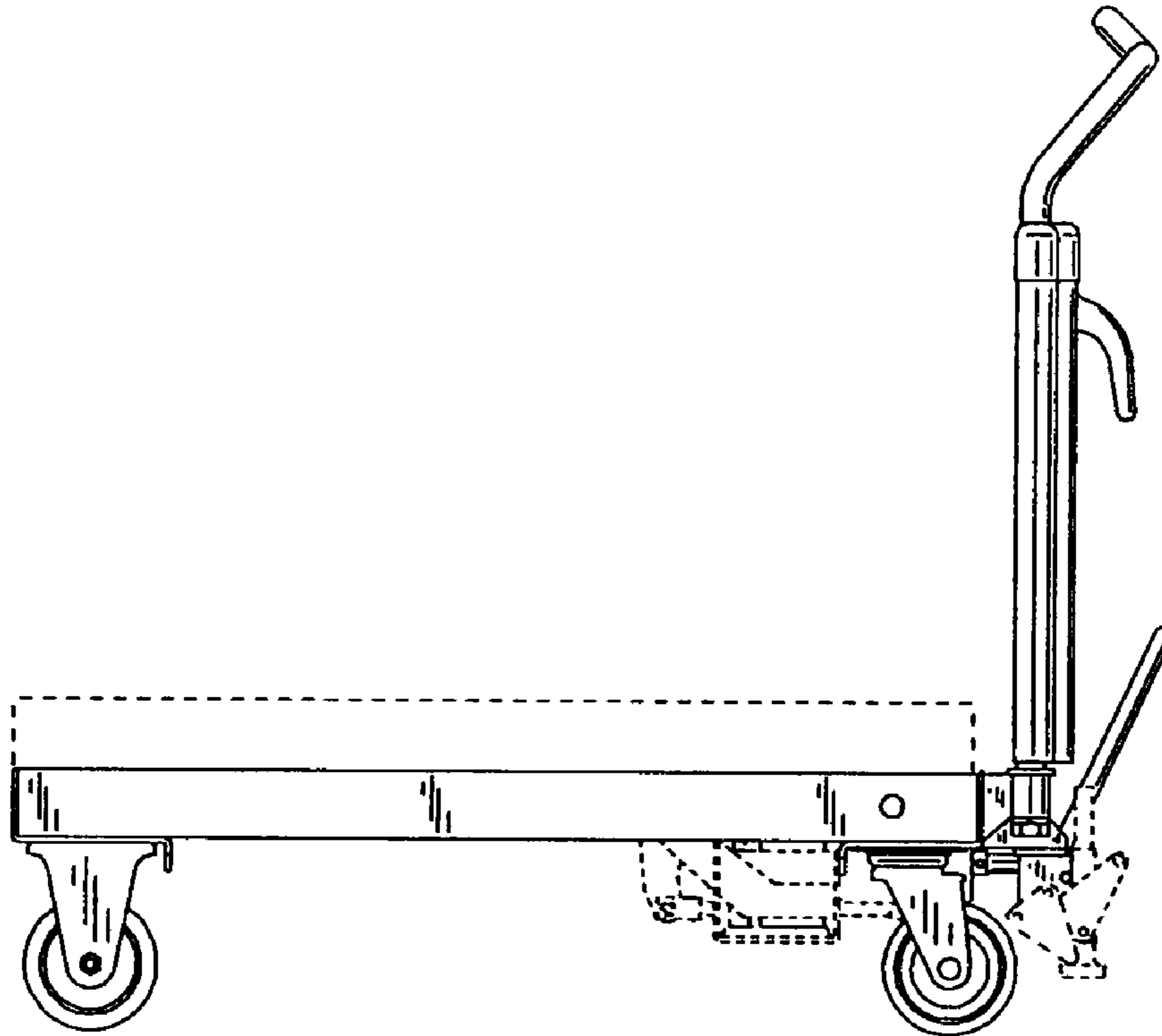


Fig.6